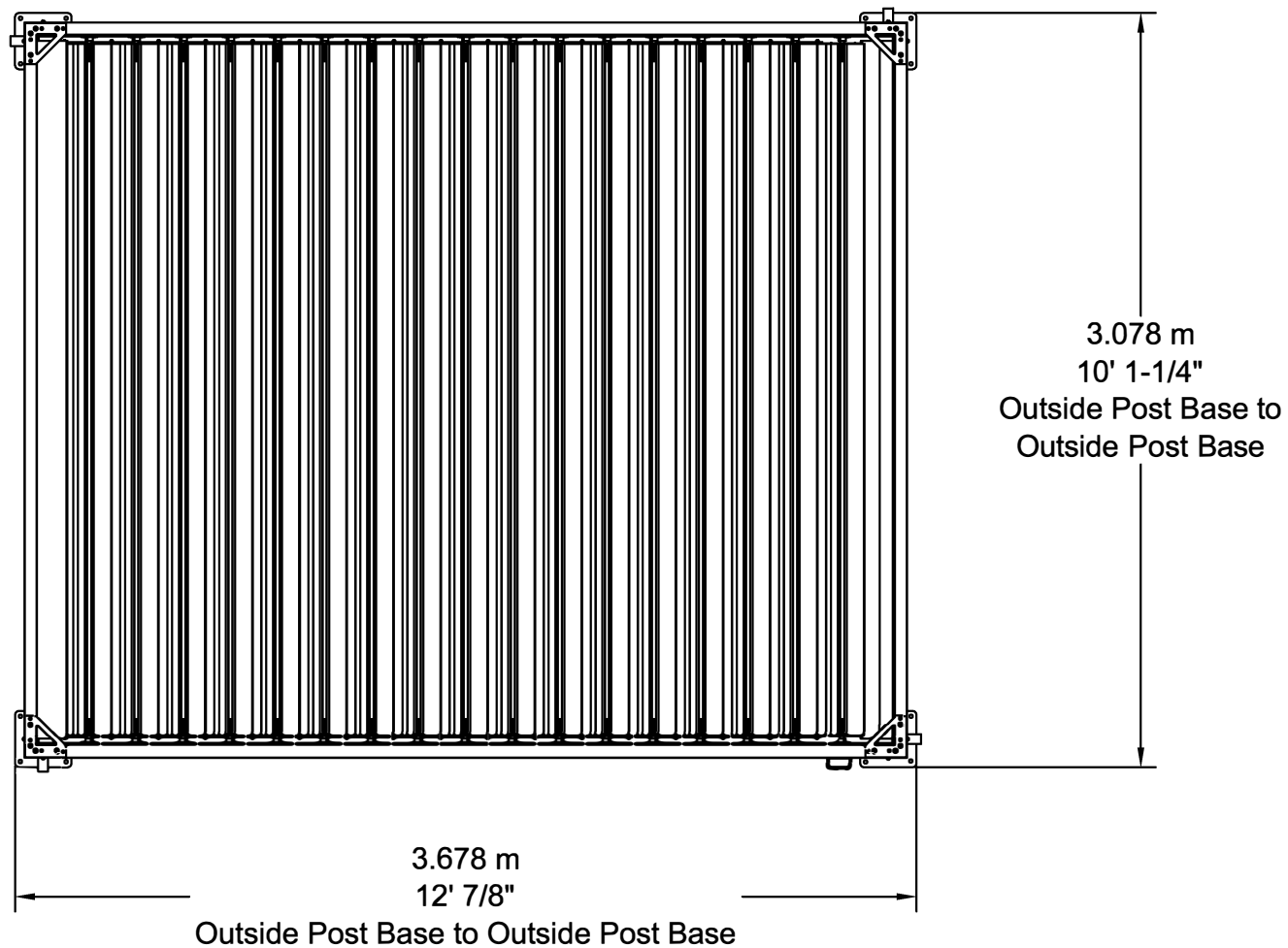
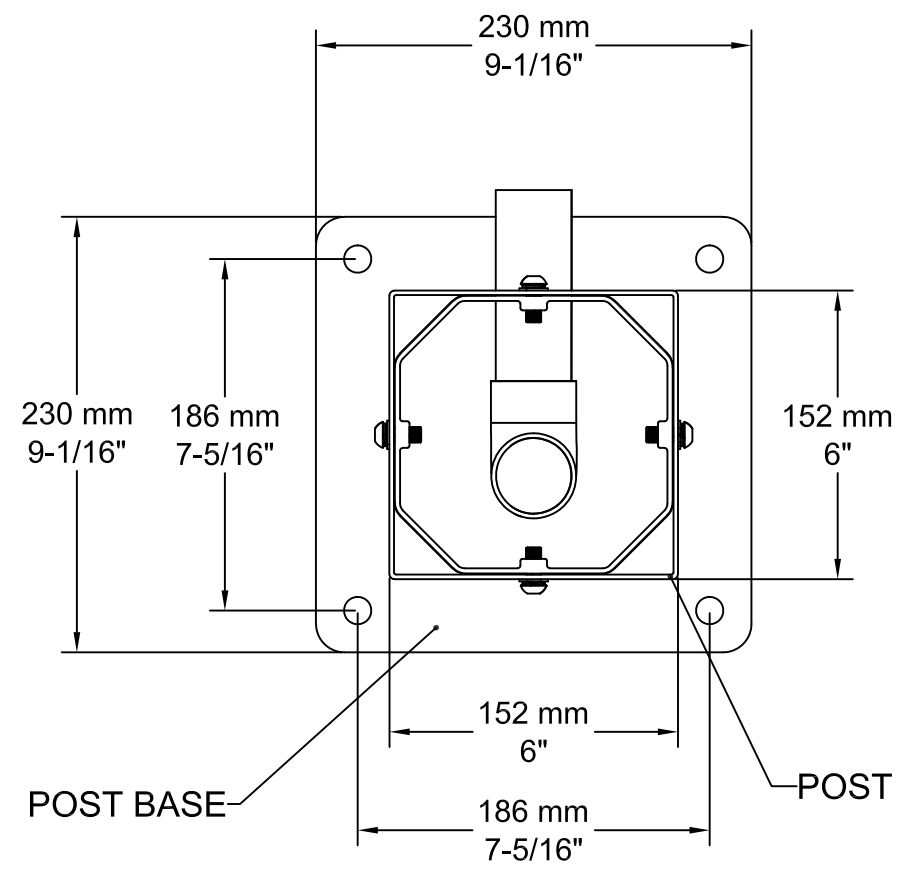
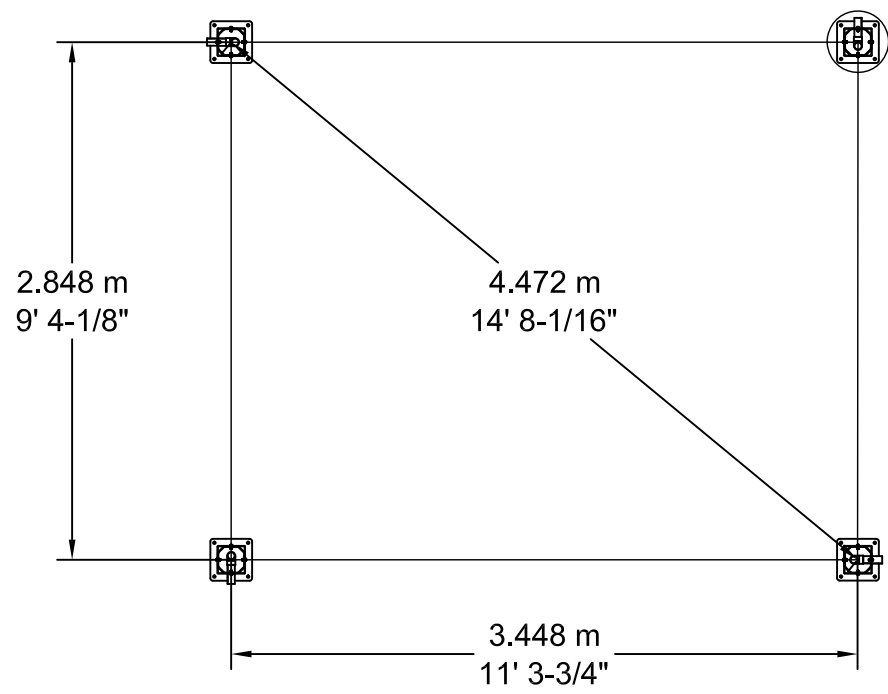
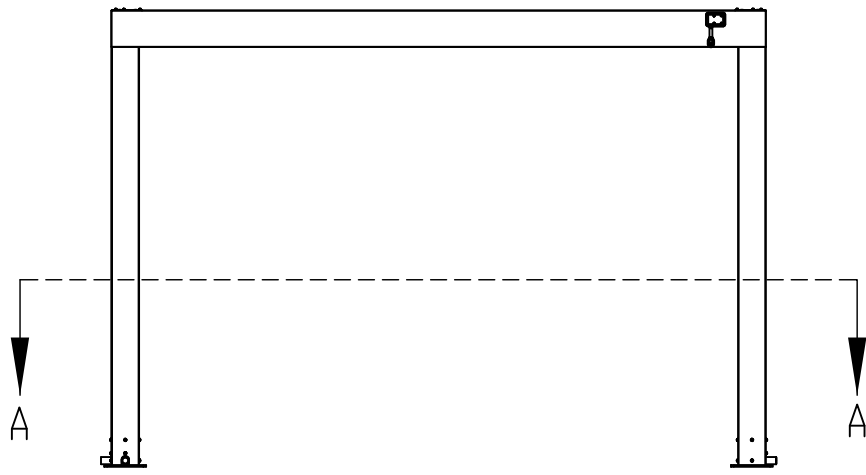
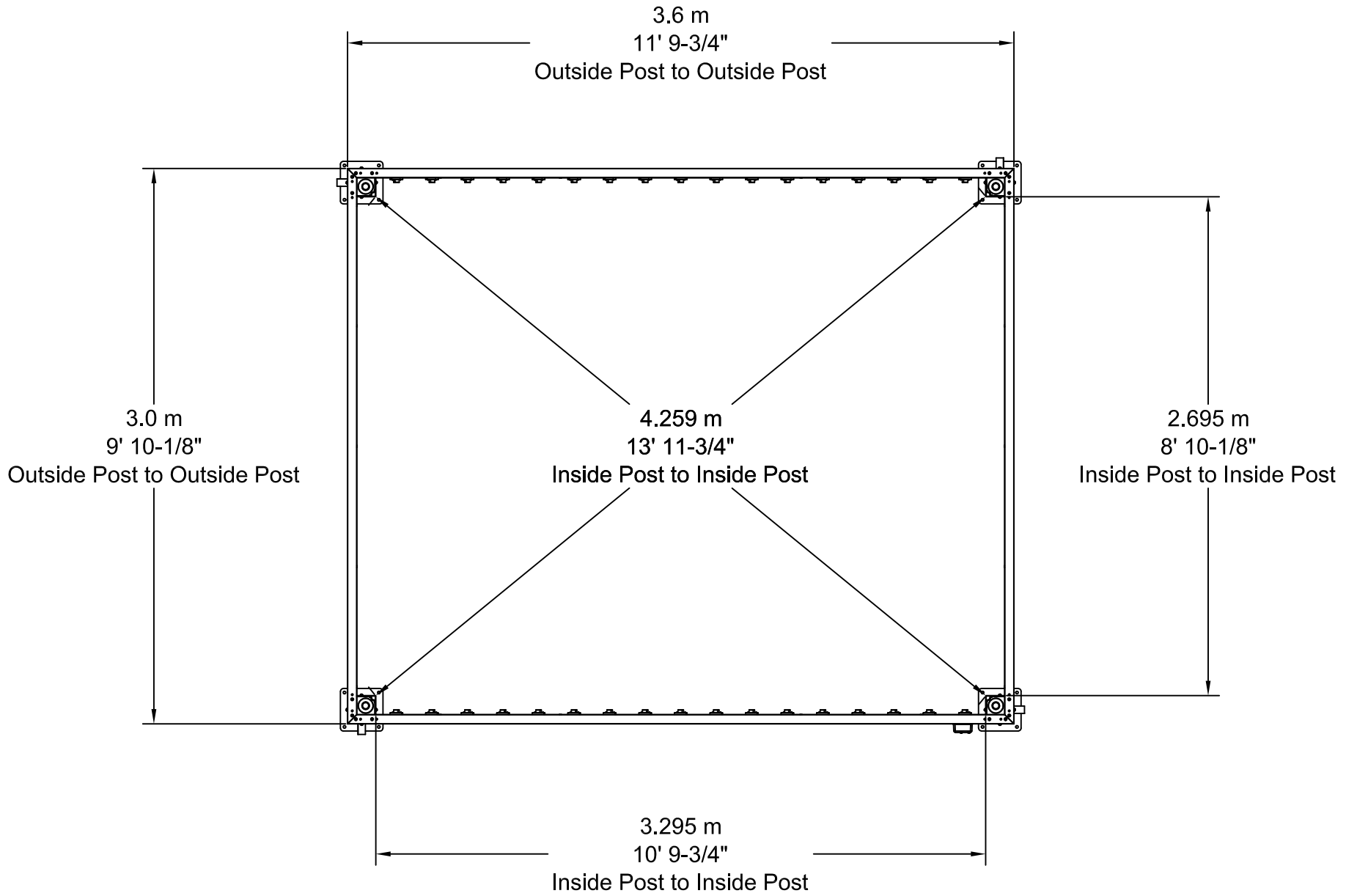


YM22002-12X10 Aluminum Louver Room







YM22002-12X10 Aluminum Louver Room

Overall Height: 8' 3" (2.51 m)

Overall Dimensions: 10' 1-1/4" (3.078 m)
12' 7/8" (3.678 m)

Outside Post Dimensions: 9' 10-1/8" (3.0 m)
11' 9-3/4" (3.6 m)

Ground to Bottom of Beam Dimensions: 7' 6-3/4" (2.305 m)

