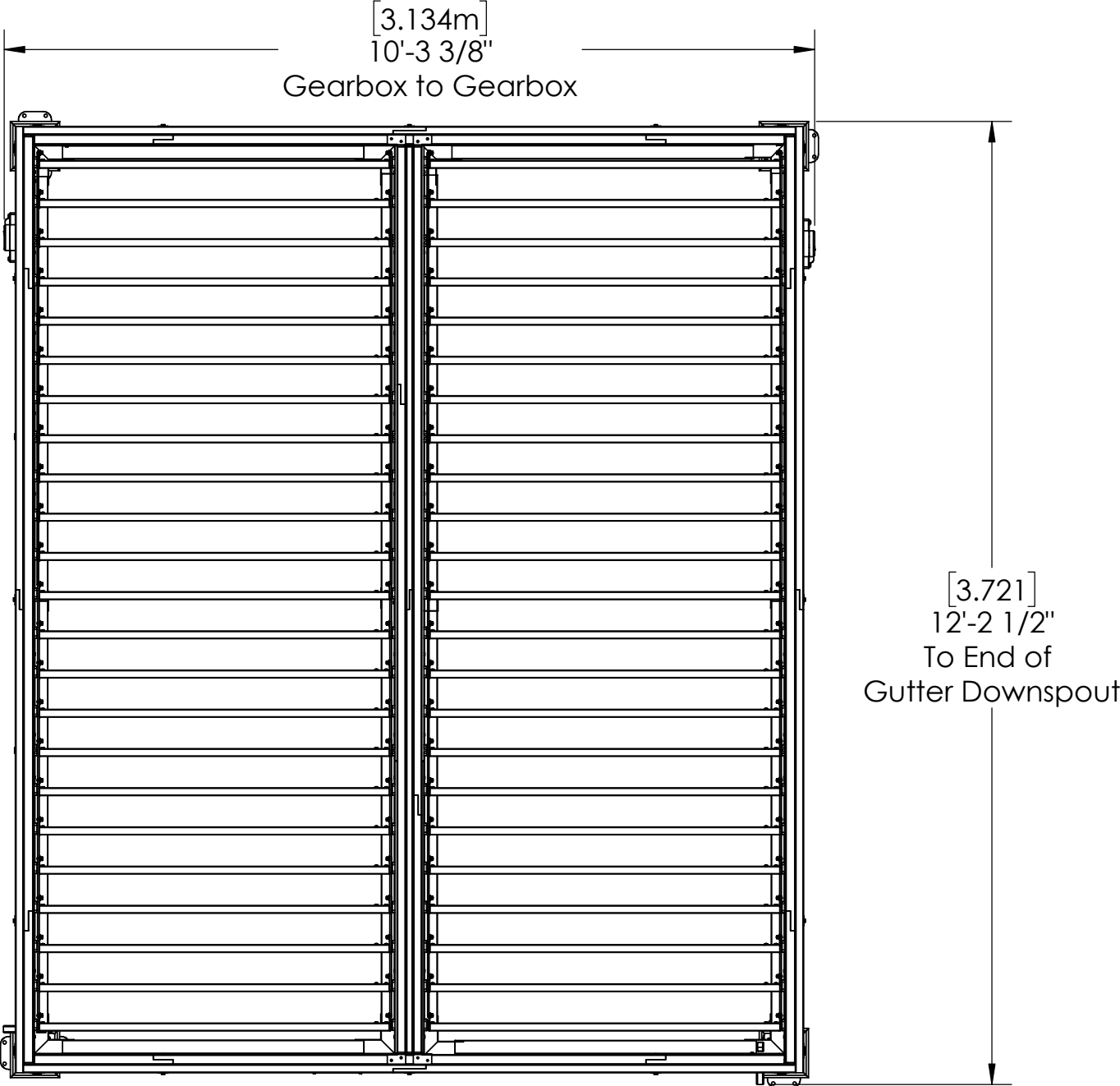
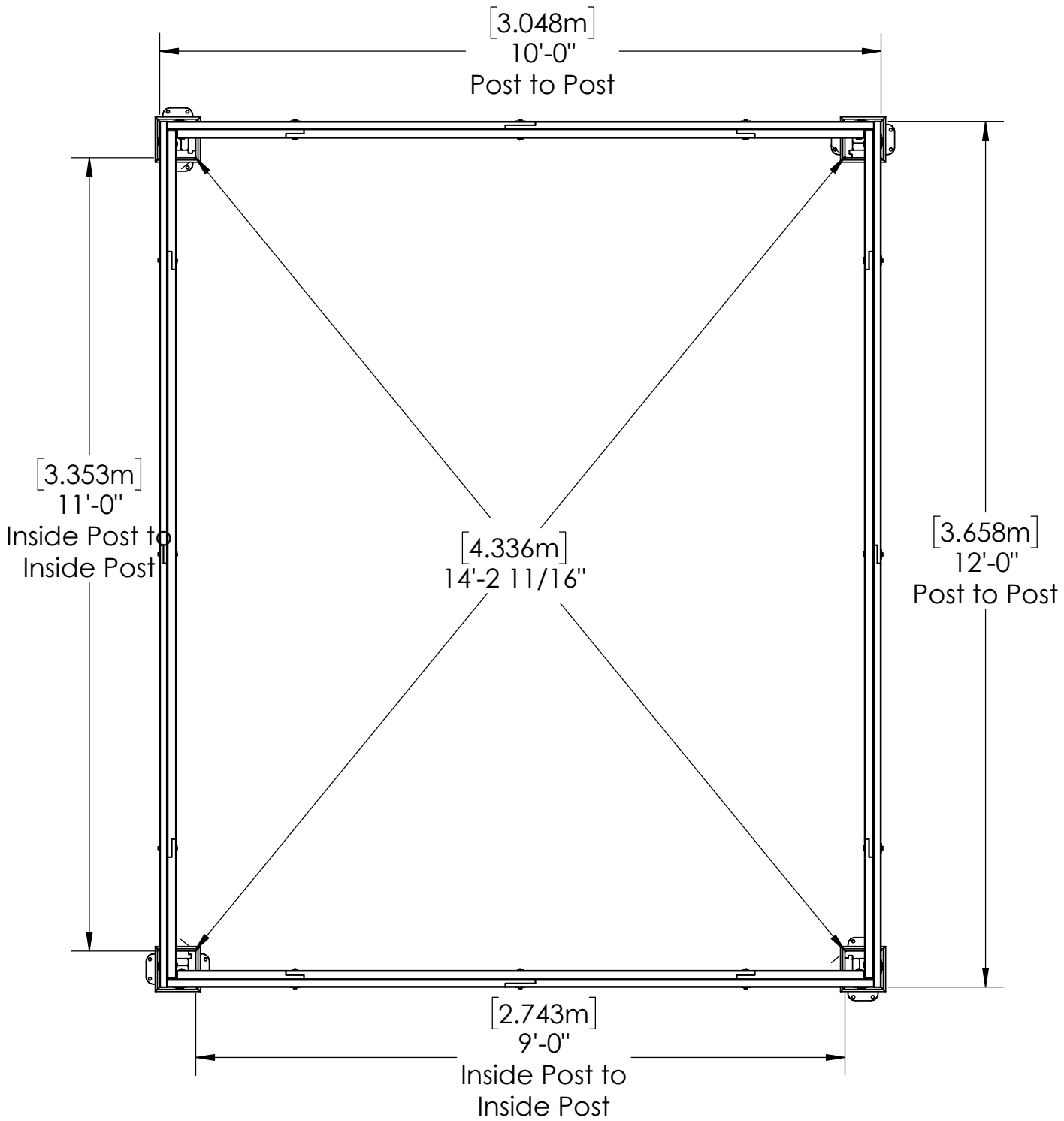
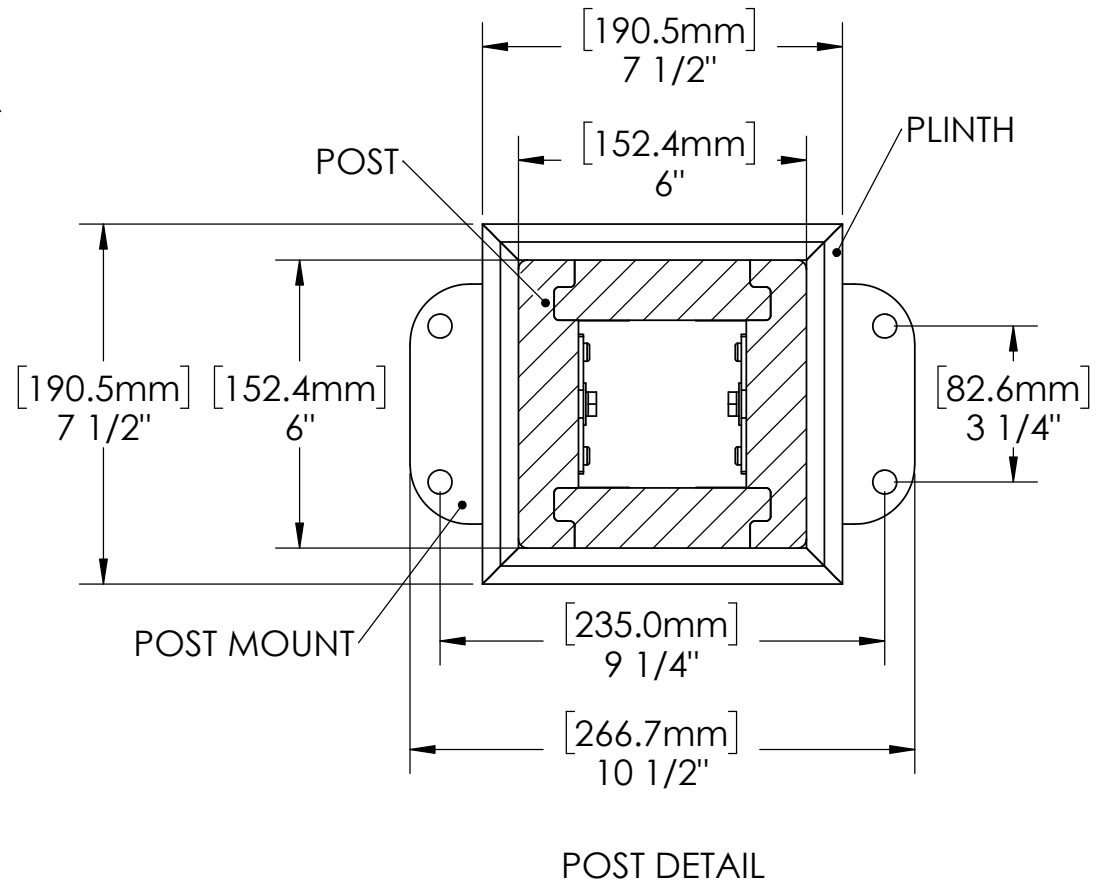
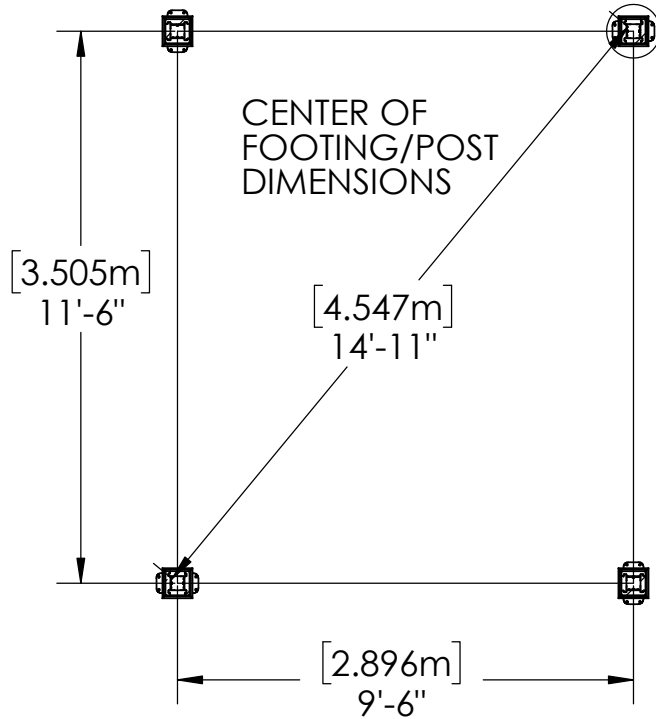
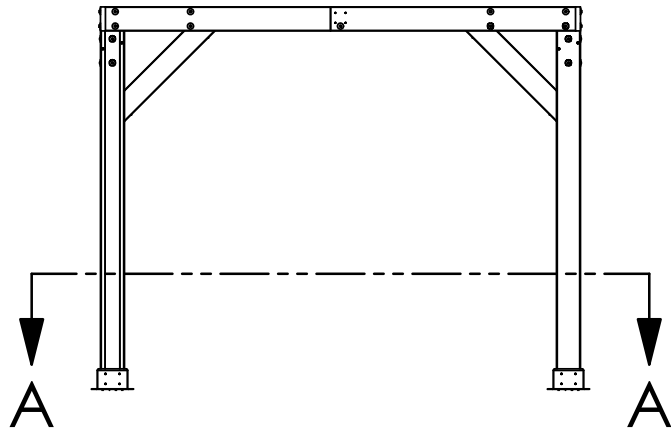


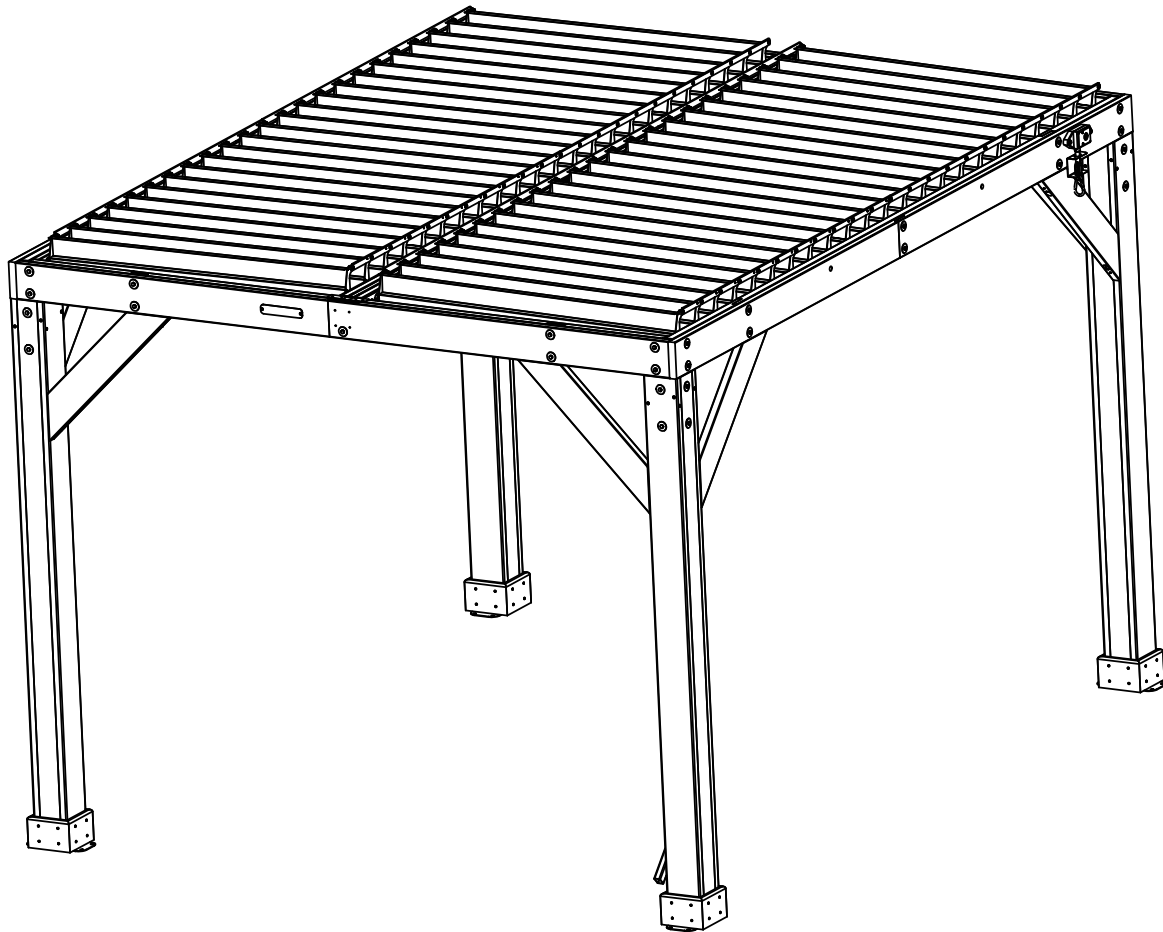
YM11832 - 10 x 12 Meridian Wood Room with Louvered Roof







**YM11832 -
10 x 12 Meridian Wood Room
with Louvered Roof**



Overall Height:
8' 3.5" (2.52m)

Overall Dimensions:
10' 3.4" (3.13m)
12' 2.5" (3.72m)

Outside Post Dimensions:
10' 0" (3.04m)
12' 0" (3.66m)

Ground to Bottom of Beam Dimensions:
7' 5.5" (2.27m)

