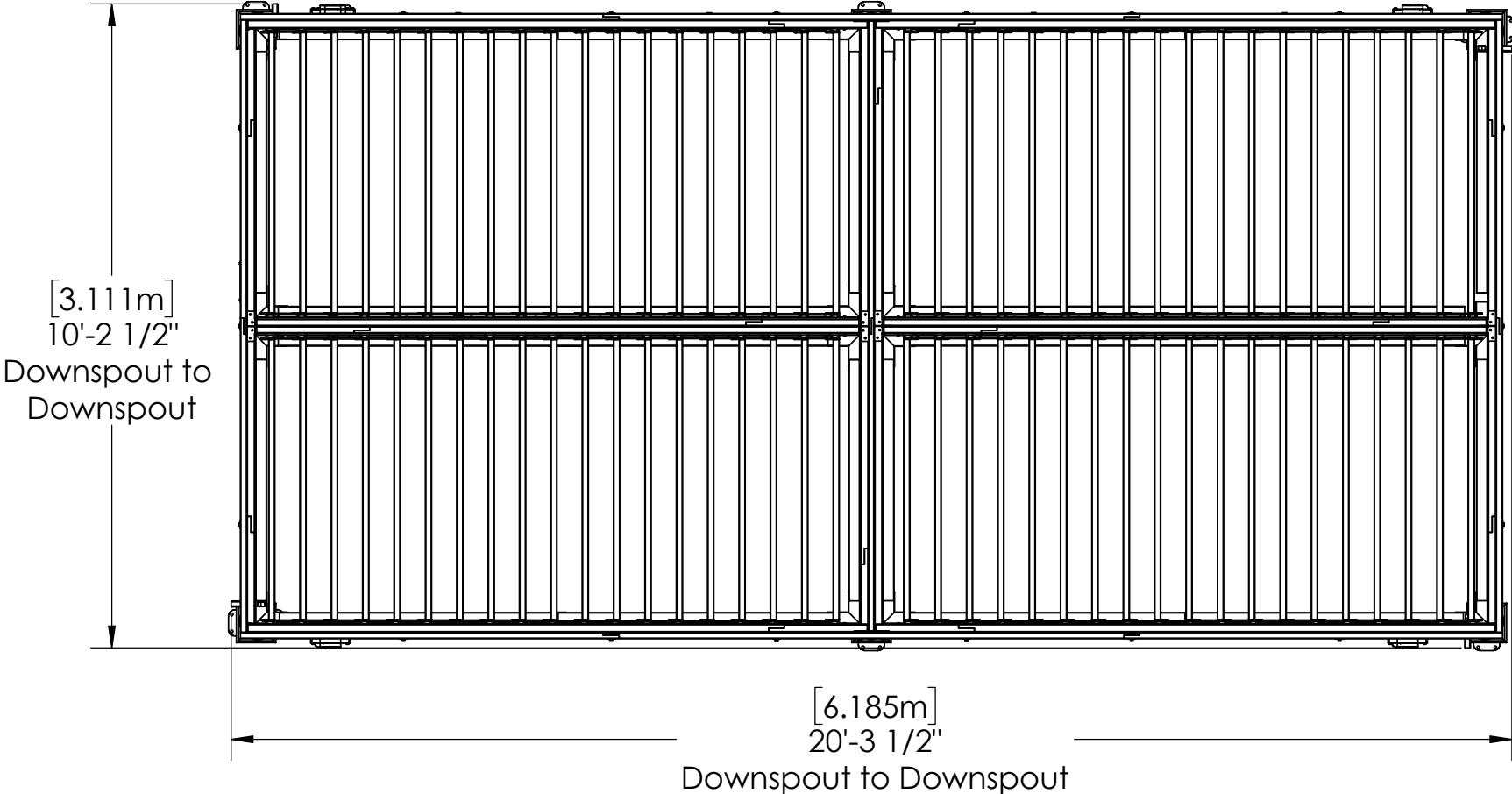
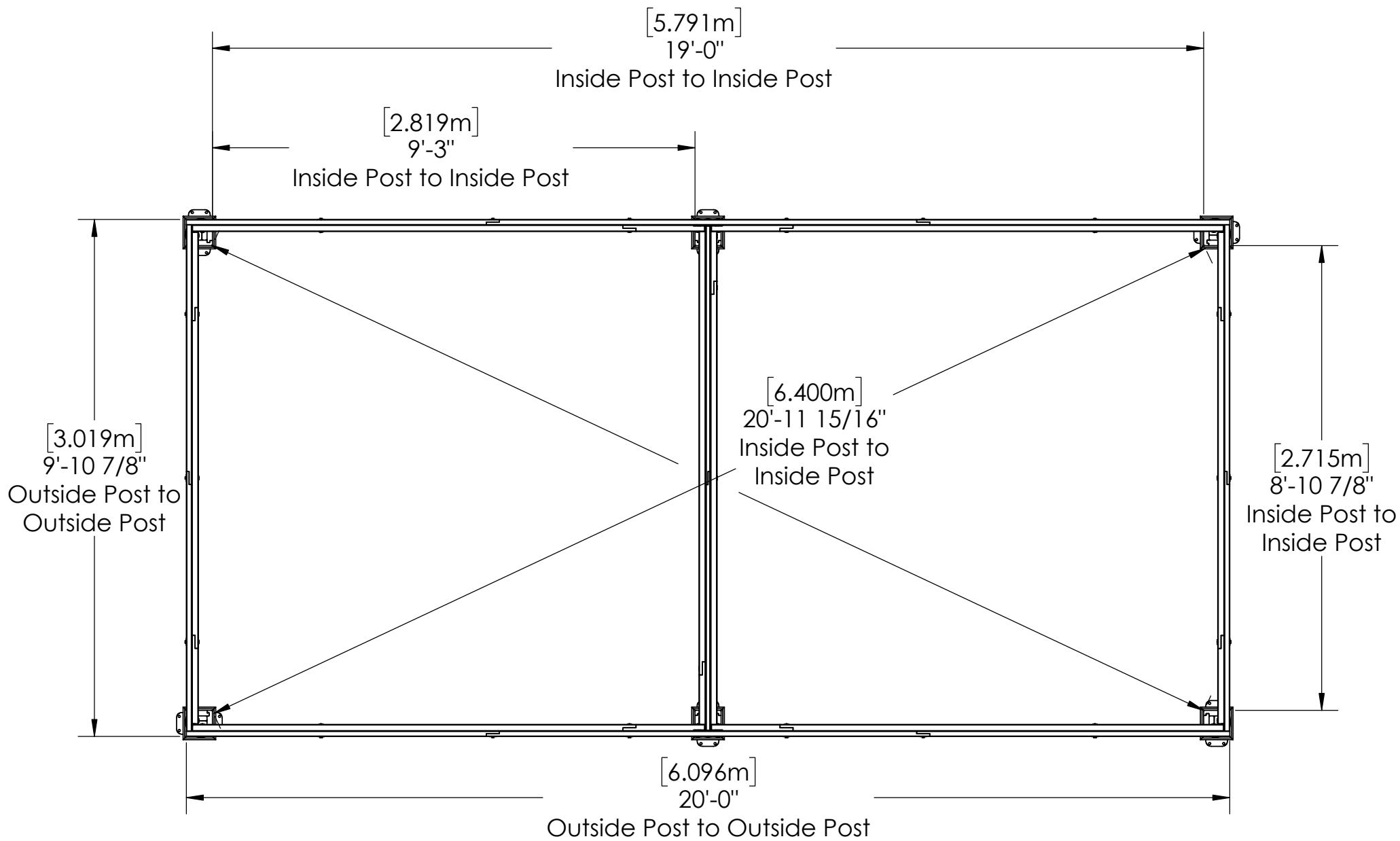
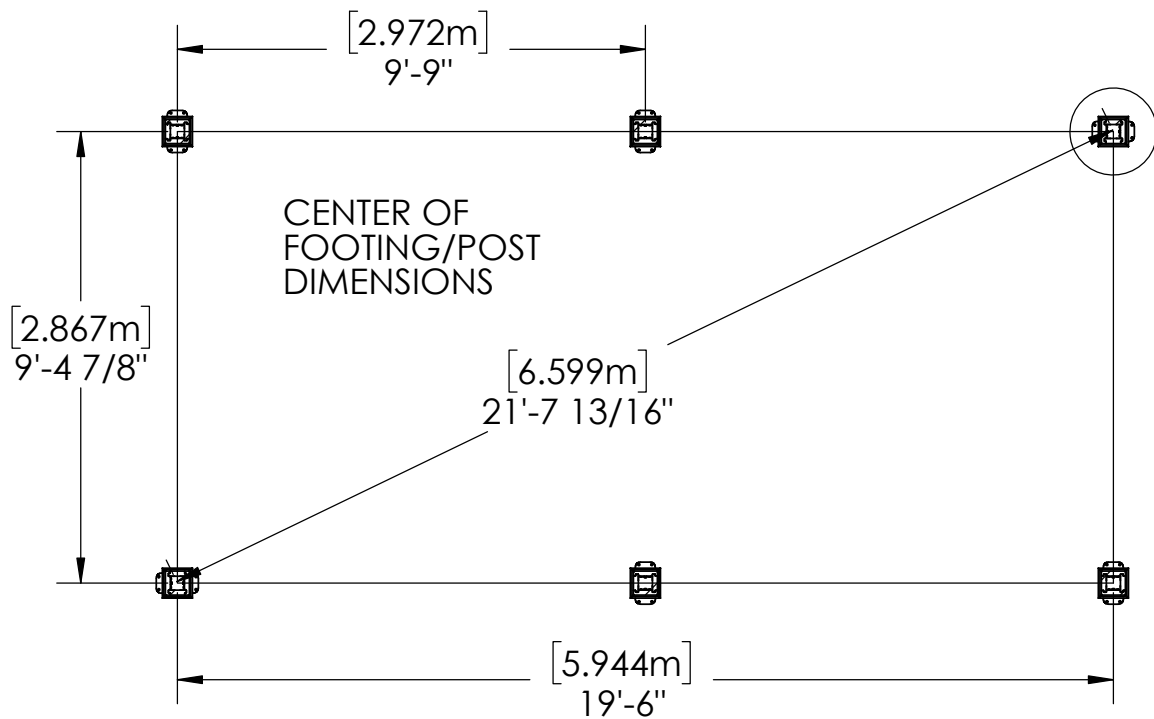
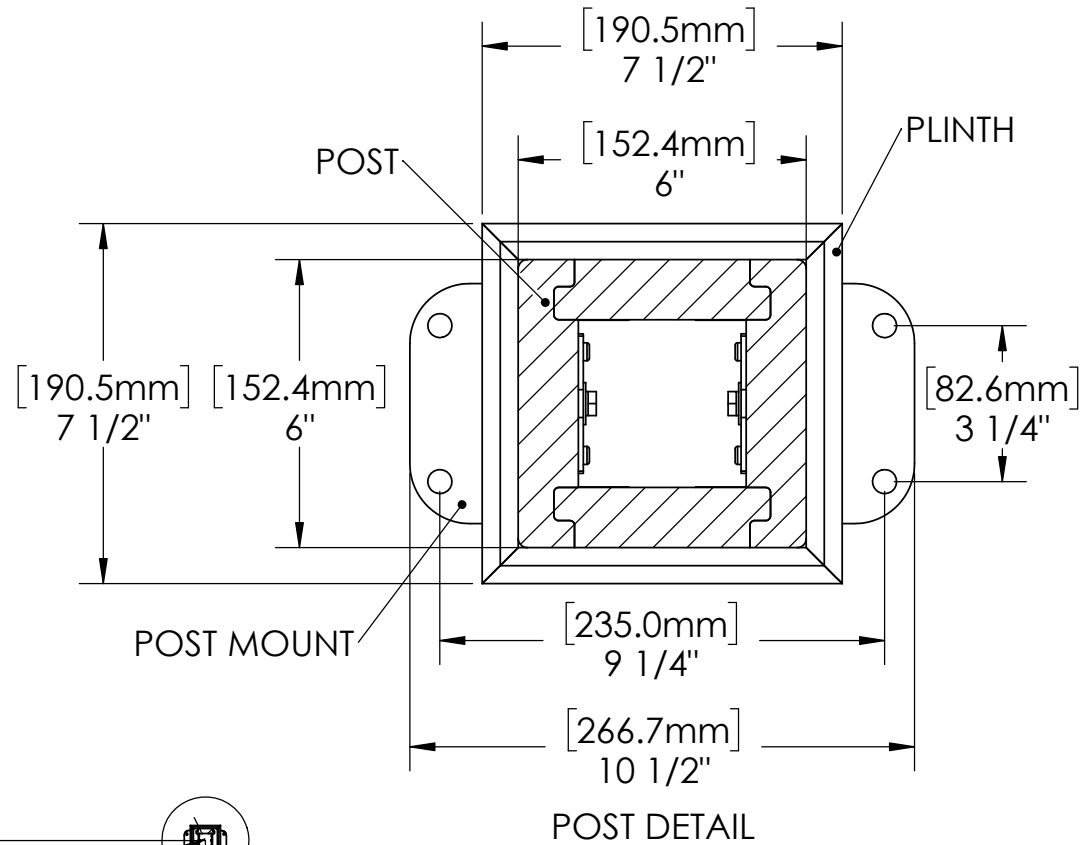
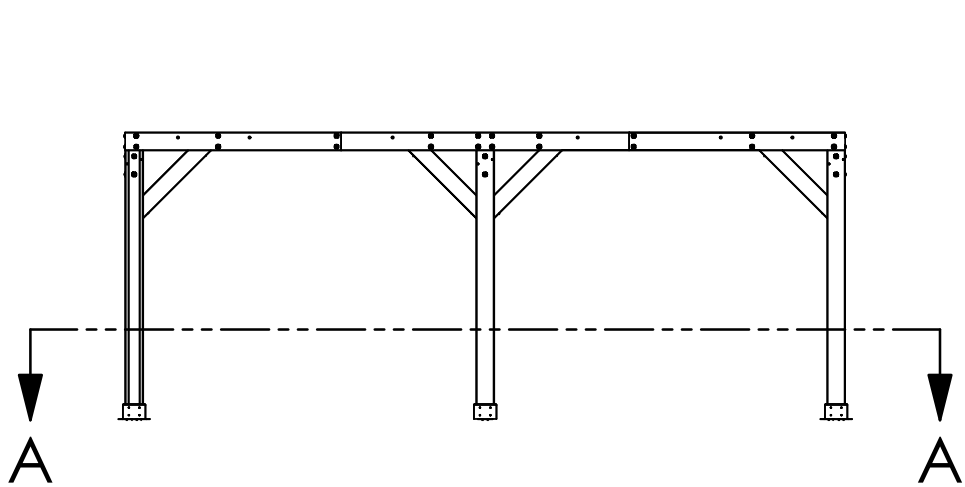
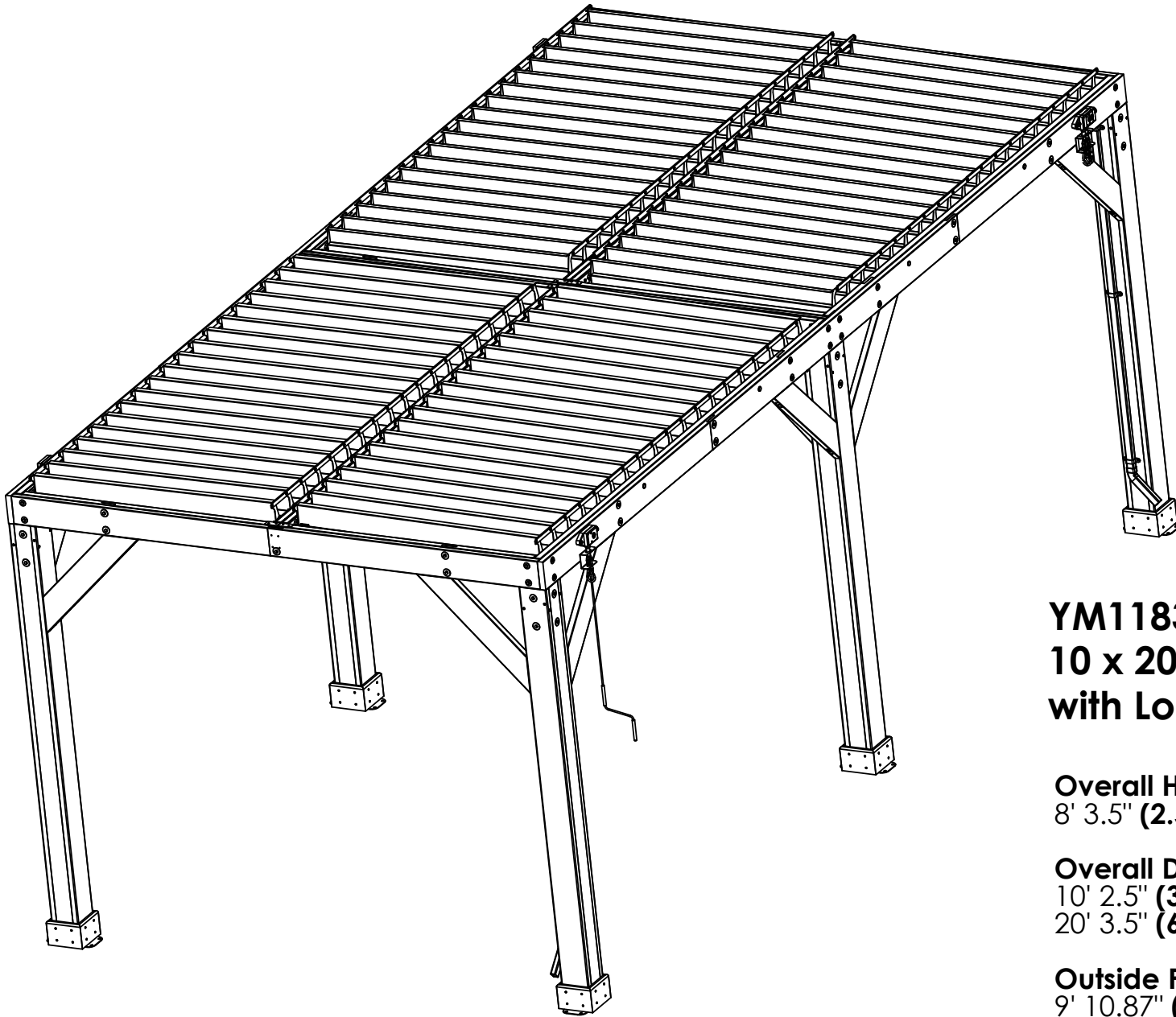


YM11836 - 10 x 20 Meridian Wood Room with Louvered Roof









**YM11836 -
10 x 20 Meridian Wood Room
with Louvered Roof**

Overall Height:
8' 3.5" (2.52m)

Overall Dimensions:
10' 2.5" (3.11m)
20' 3.5" (6.18m)

Outside Post Dimensions:
9' 10.87" (3.02m)
20' 0" (6.09m)

Ground to Bottom of Beam Dimensions:
7' 5.5" (2.27m)

