

# 10' x 10' PAVILION

Installation and Operating Instructions – YM11909

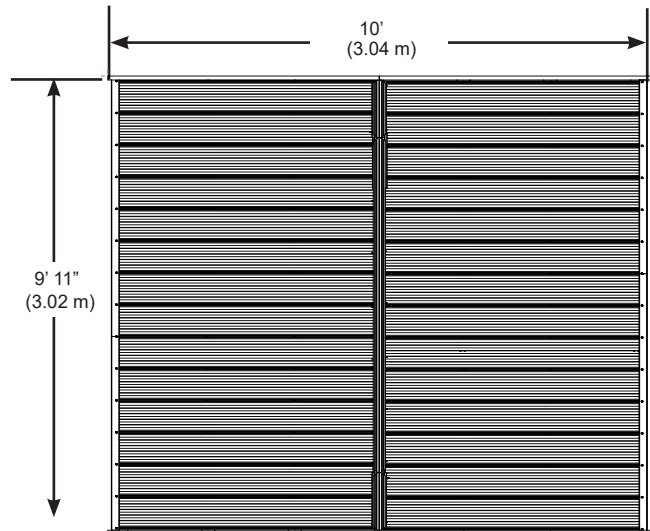


IMPORTANT, RETAIN FOR FUTURE REFERENCE: READ CAREFULLY

Revised 08-24-2020

**YARDISTRY**<sup>®</sup>

Yardistry – North America  
Toll Free Customer Support:  
1.888.509.4382  
info@yardistrystructures.com  
www.yardistrystructures.com



Height: 9' 3-1/2" (2.83 m)

## **Important Safety Notice!**

Yardistry components are intended for privacy, decorative and ornamental use only.

### **Product is NOT INTENDED for the following:**

- A safety barrier to prevent unsupervised access to pools, hot tubs, spas or ponds.
- As load bearing support for a building, structure, heavy objects or swings.
- Used in structures that trap wind, rain or snow that would create extra load on the product.

### **Accumulated snow must be removed from roof.**

**DO NOT** climb or walk on roof for any reason.

**Permanent structures may require a building permit.** As the purchaser and or installer of this product you are advised to consult local planning, zoning and building inspection departments for guidance on applicable building codes and/or zoning requirements.

**Wood is NOT flame retardant and will burn.** Grills, fire pits and chimineas are a fire hazard if placed too close to a Yardistry structure. Consult user's manual of the grill, fire pit or chimnea for safe distances from combustible materials.

**Wear gloves to avoid injury** from possible sharp edges of individual elements before assembly.

**During installation, follow all safety warnings provided with your tools and use OSHA approved safety glasses.** Some structures may require two or more people to install safely.

**Check for underground utilities before digging or driving stakes into the ground!**

**It is important during assembly to closely follow the instructions,** complete the assembly on a solid level surface and that you follow the instruction to square up, level and anchor the structure, this will reduce the gap at wood connections during assembly.

## **General Information**

**General Information:** Wood components are manufactured with Cedar (C. Lanceolata) which is protected with factory applied water-based stain. Knots, small checks (cracks) and weathering are naturally occurring and do not affect the strength of the product. Annual application of a water-based water repellent sealant or stain is important and will help reduce weathering and checks.

[www.yardistrystructures.com](http://www.yardistrystructures.com)

Questions?

Call toll free or write us at:

1 (888) 509-4382

[info@yardistrystructures.com](mailto:info@yardistrystructures.com)

Patents Pending

# Limited Warranty

Yardistry warrants that this product is free from defect in materials and workmanship for a period of one (1) year from the original date of purchase. In addition, for any product with lumber, all lumber is warranted for five (5) years against rot and decay. This warranty applies to the original owner and registrant and is non-transferable.

Regular maintenance is required to assure the integrity of your product and is a requirement of the warranty. This warranty does not cover any inspection costs.

**This Limited Warranty does not cover:**

- Labour for replacement of any defective item(s);
- Incidental or consequential damages;
- Cosmetic defects which do not affect performance or integrity;
- Vandalism; improper use or installation; acts of nature, including but not limited to wind, storms, hail, floods, excessive water exposure;
- Minor twisting, warping, checking or any other natural occurring properties of wood that do not affect performance or integrity.

Yardistry products have been designed for safety and quality. Any modifications made to the original product could damage the structural integrity of the product leading to failure and possible injury. Yardistry cannot assume any responsibility for modified products. Furthermore, modification voids any and all warranties.

**This product is warranted for RESIDENTIAL USE ONLY. Yardistry disclaims all other representations and warranties of any kind, express or implied.**

*This Warranty gives you specific legal rights. You may have other rights as well which vary from state to state or province to province. This warranty excludes all consequential damages, however, some states/provinces do not allow the limitation or exclusion of consequential damages, and therefore this limitation may not apply to you.*

# Instructions for Proper Maintenance

Your Yardistry structure is designed and constructed of quality materials. As with all outdoor products it will weather and wear. To maximize the enjoyment, safety and life of your structure it is important that you, the owner, properly maintain it.

## HARDWARE:

- Check metal parts for rust. If found, sand and repaint using a non-lead paint complying with 16 CFR 1303.
- Inspect and tighten all hardware after completion of assembly; after first month of use; and then annually. Do not over-tighten as to cause crushing and splintering of wood.
- Check for sharp edges or protruding screw threads, add washers if required.

## WOOD PARTS:

- Applying a water repellent or stain (water-based) on a yearly basis is important maintenance to maintain maximum life and performance of the product.
- Check all wood members for deterioration, structural damage and splintering. Sand down splinters and replace deteriorated wood members. As with all wood, some checking and small cracks in grain is normal
- Some gapping may occur at some wood connections.

## Assembly Guides

### Tools Required:

- |                              |                  |                      |
|------------------------------|------------------|----------------------|
| • Tape Measure               | • 8' Step Ladder | • 6' Step Ladder x 2 |
| • Carpenters Level           | • Safety Glasses | • Square             |
| • Standard or Cordless Drill | • Adult Helper   | • Ratchet            |
| • 7/16", 1/2" & 9/16" Wrench | • Safety Gloves  |                      |
| • 7/16", 1/2" & 9/16" Socket | • Hard Hat       |                      |

### Symbols:

Throughout these instructions symbols are provided in the top, right-hand corner of the page.



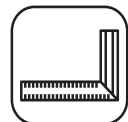
- Use Help, where this is shown, 2, 3 or 4 people are required to safely complete this step. To avoid injury or damage to the assembly make sure to get some help.



- Use a measuring tape to assure proper location



- Pre-drill a pilot hole before fastening screw or lag to prevent splitting of wood.



- Check that assembly is square before tightening bolts

**If you dispose of your Yardistry structure:** Please disassemble and dispose of your unit so that it does not create any unreasonable hazards at the time it is discarded. Be sure to follow your local waste ordinances.

## Assembly Tips

Following are some helpful tips to make the assembly process smooth and efficient.

### PRE-ASSEMBLIES:

(i.e. Post and Beam Assemblies, Roof Rafter Assembly, etc)

- Work on a raised, solid and flat surface such as, a table or saw horse.
- Keep all connections flush where shown in the instructions.
- When assembling the beams keep parts flat, straight and snug when connecting.

### METAL PARTS:

- Roofing material may have sharp edges, wear safety gloves.
- Remove all plastic covering, on both sides of the metal panels, directly before installing each piece.
- Place roofing material on a non-abrasive surface before and after assembly as it can bend, dent and scratch easily.
- The roofing screws can easily crush the roof panels and roof edges when using a power drill. We recommend hand tightening the roofing screws so they sit snug and tight to the roofing material.

# Permanent Installation Examples

**Note: It is critically important you start with square, solid and level footings, concrete pad or deck to attach your Pavilion.**

We supply Post Mounts with this structure which gives you the flexibility to permanently install your structure to a pre-existing or new wood or concrete surface.

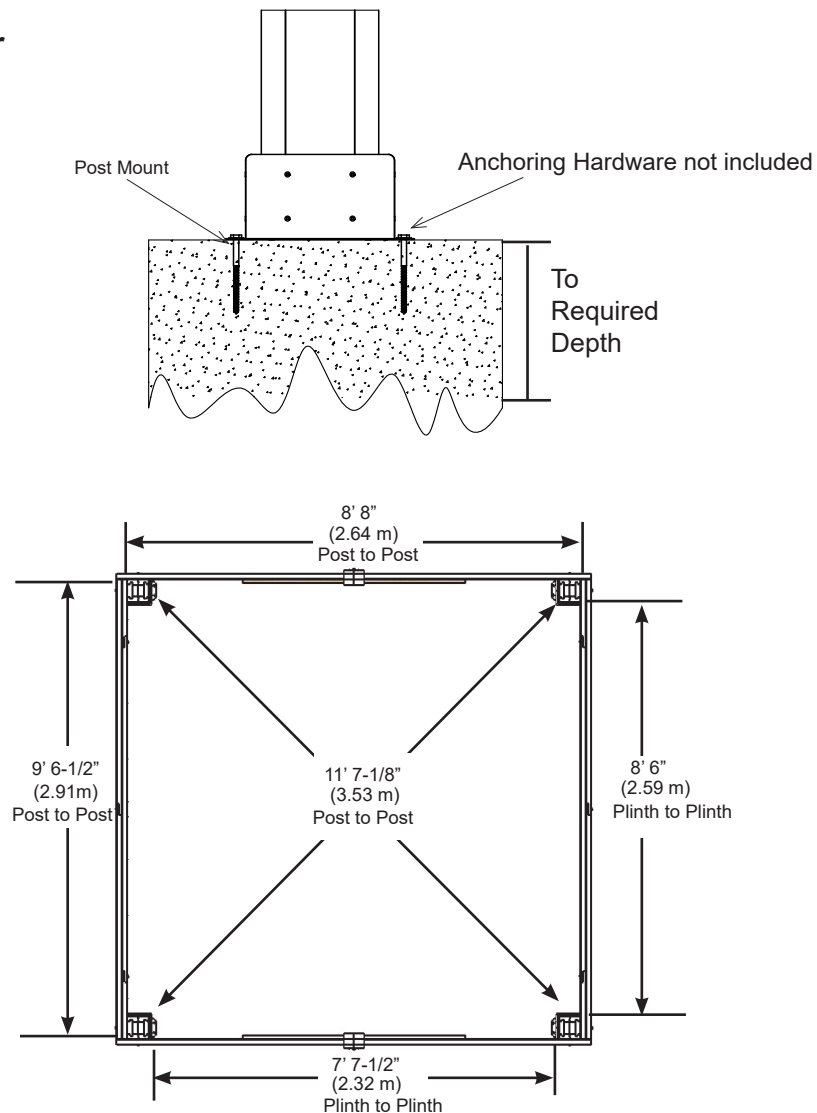
- The hardware to attach the Post Mount to the structure is included.
- The hardware to mount the structure permanently will need to be purchased separately at your local hardware store.

If you are mounting to concrete footers see below for the correct locations and placement. Please double check for possibility of any underground utilities such as gas, telephone, cable or sprinkler lines.

Following are some examples of how to mount the structure to wood or concrete surfaces.

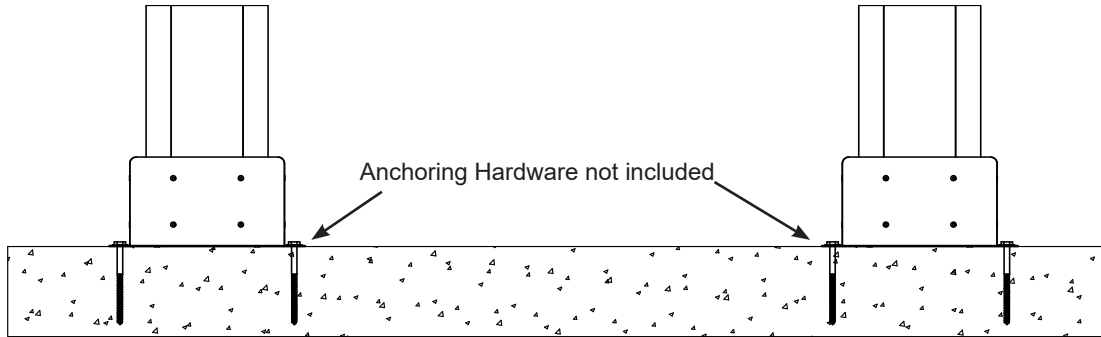
Refer to your local building and city codes, ordinances, neighbourhood covenants, or height restrictions regarding this type of structure for guidance on acceptable installation requirements.

## Concrete Footer

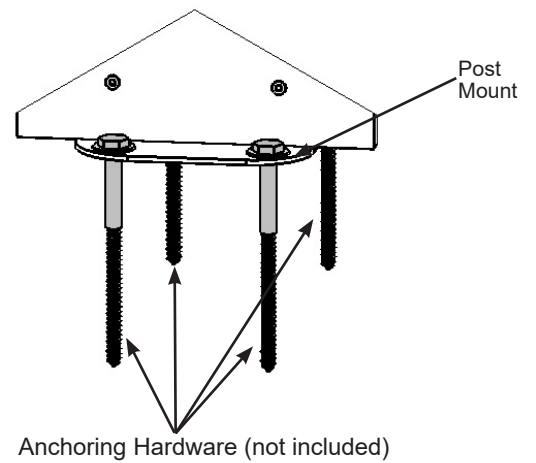
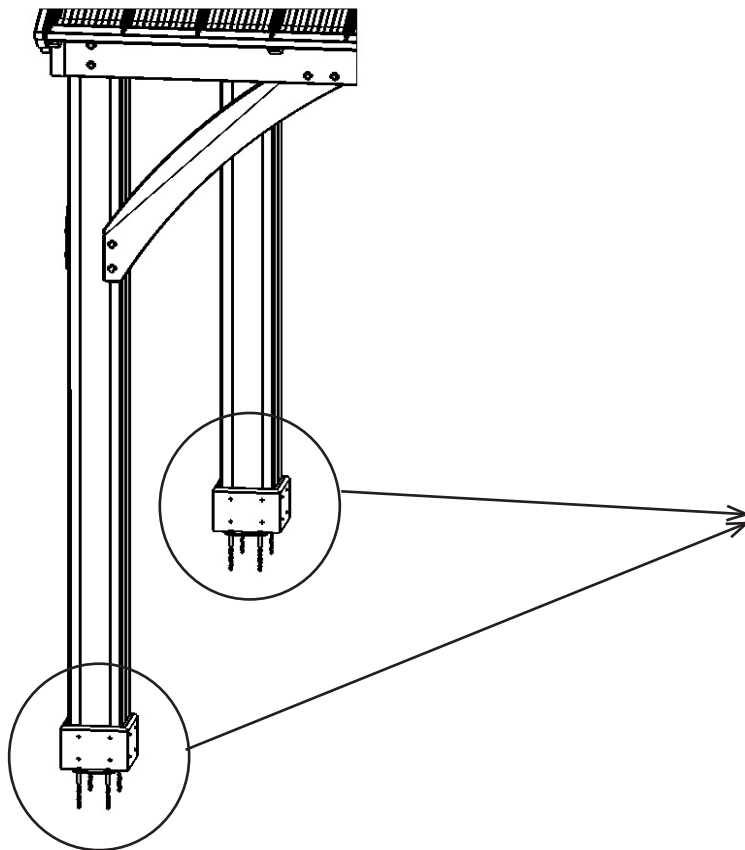
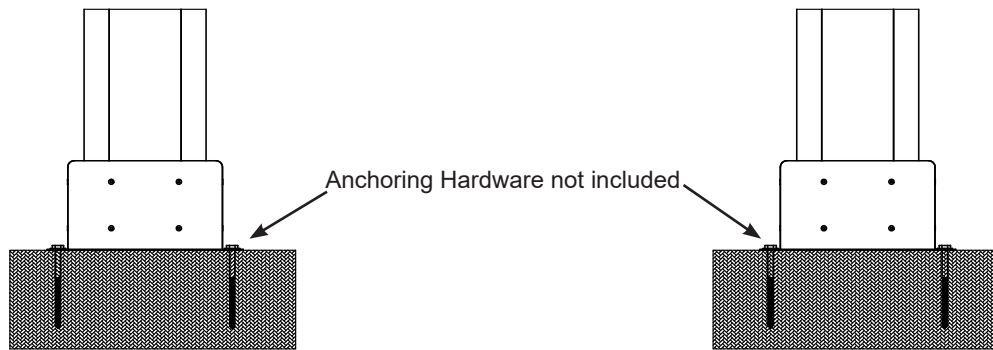


## Permanent Installation Examples cont.

Concrete Patio [min. 10' 1" x 10' 6-1/2" (3.073 m x 3.213 m)] with 6" (15.24 cm) clearance on all sides



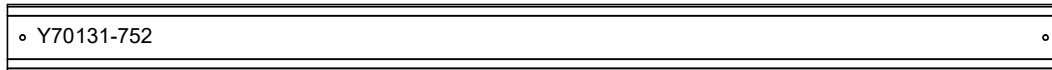
Wood Deck [min. 10' 1" x 10' 6-1/2" (3.073 m x 3.213 m)] with 6" (15.24 cm) clearance on all sides



*Post Mounts have a 1/2" diameter hole for anchoring hardware.*

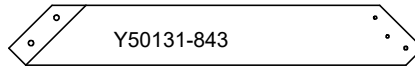
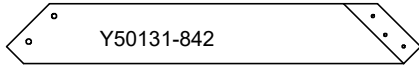
# Part Identification (Dimensions are approximate and are shown to assist in the identification of parts for assembly. Actual dimensions may be smaller or larger.)

**4pc. (752) - Post 2235.2mm (88")**



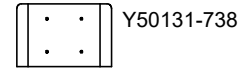
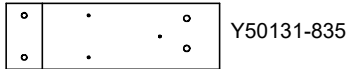
**4pc. (842) - Gusset Right 876.3mm (34-1/2")**

**4pc. (843) - Gusset Left 876.3mm (34-1/2")**



**4pc. (835) - Side Beam Ends 452.4mm (17-13/16")**

**16pc. (738) - Plinth 177.8mm (7")**

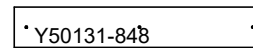
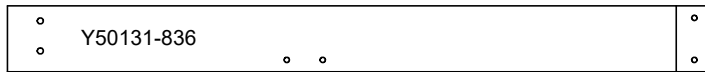


**2pc. (834) - Side Beam Inside 2156.9mm (84-15/16")**



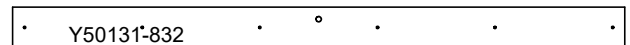
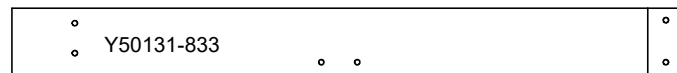
**4pc. (836) - Side Beam Outside 1492.3mm (58-3/4")**

**4pc. (848) - Gable End 530.2mm (20-7/8")**

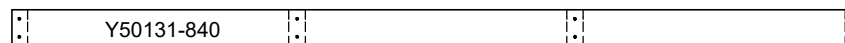


**4pc. (833) - Gable Beam 1422.4mm (56")**

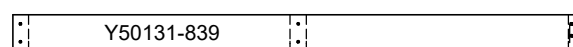
**2pc. (832) - Gable Inside 1295.4mm (51")**



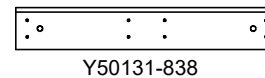
**6pc. (840) - Strap Long 1779.9mm (70")**



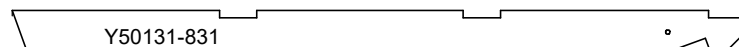
**6pc. (839) - Strap Short 1191.9mm (46-15/16")**



**2pc. (838) - Rafter Brace 553mm (21 3/4")**

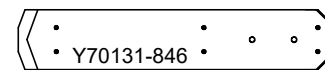
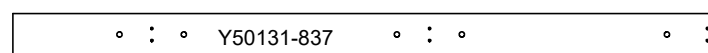


**12pc. (831) - Rafter 1553mm (61-1/8")**

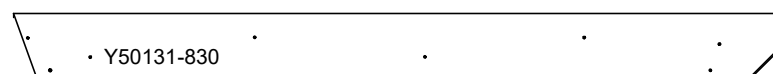


**2pc. (846) - Gable Upright Assembly 672mm (26 1/2")**

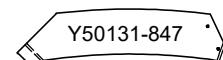
**4pc. (837) - Rafter Top 1485.9mm ( 58 1/2")**



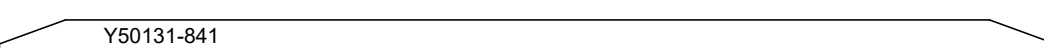
**4pc. (830) - Fascia 1621.4mm (63-7/8")**



**4pc. (847) - Gable Gusset 457mm (18")**

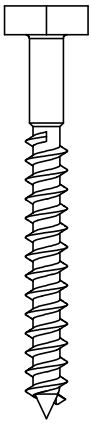


**4pc. (841) - Tie 2235.2mm (88")**

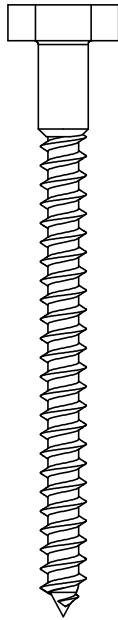




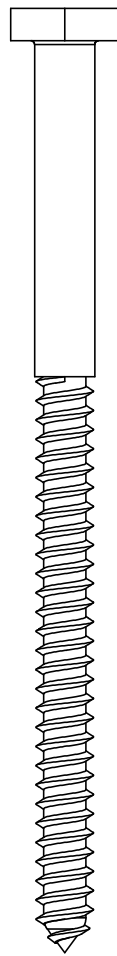
# Hardware Identification ( Dimensions are approximate and are shown to assist in the identification of parts for assembly. Actual dimensions may be smaller or larger. )



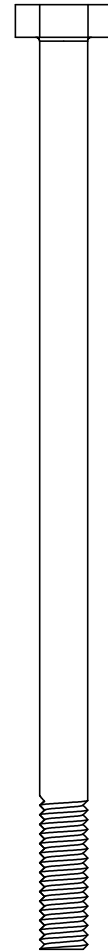
**24pc.** Lag Screw 1/4" x 1-15/16"  
No.12 Shank  
(Y06218-219)



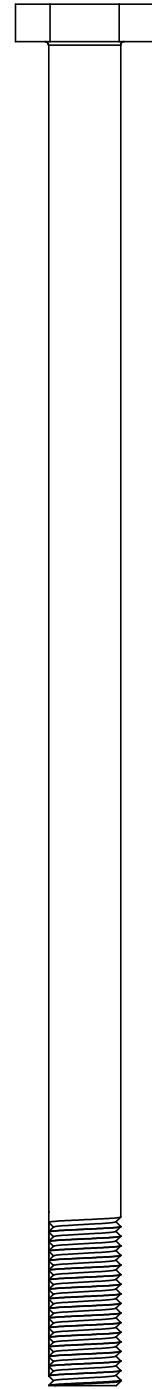
**4pc.** Lag Screw (1/4" Shank)  
5/16 x 3"  
(Y06218-330)



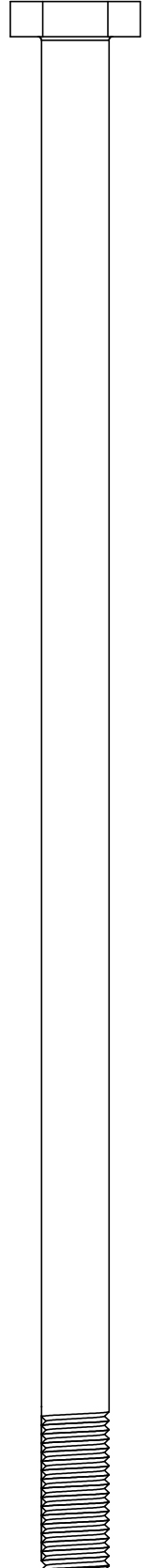
**4pc.** Lag Screw  
5/16 x 4-3/4"  
(Y06218-343)



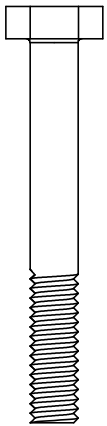
**2pc.** Hex Bolt  
1/4 x 4-3/4"  
Y07718-243



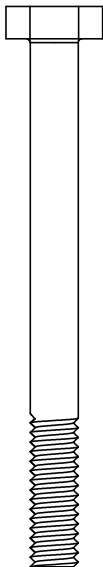
**4pc.** Hex Bolt  
3/8 x 7-1/4"  
(Y07718-871)



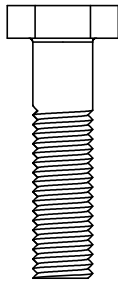
**4pc.** Hex Bolt  
3/8 x 8-1/2"  
(Y07718-882)



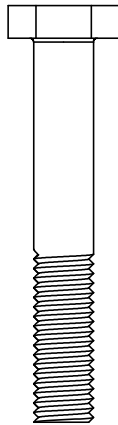
**8pc.** Hex Bolt  
1/4 x 2"  
(Y07718-220)



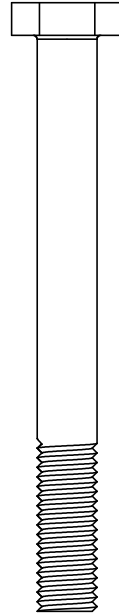
**8pc.** Hex Bolt  
1/4 x 2-3/4"  
(Y07718-223)



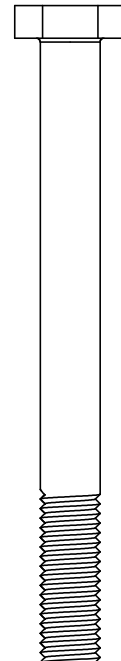
**20pc.** Hex Bolt  
5/16 x 1-1/4"  
(Y07718-311)



**10pc.** Hex Bolt  
5/16 x 2"  
(Y07718-320)

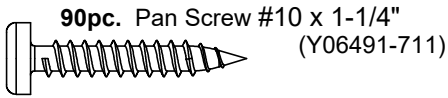


**2pc.** Hex Bolt  
5/16 x 3"  
(Y07718-330)



**8pc.** Hex Bolt  
5/16 x 3-1/4"  
(Y07718-331)

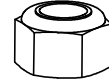
# Hardware Identification ( Dimensions are approximate and are shown to assist in the identification of parts for assembly. Actual dimensions may be smaller or larger. )



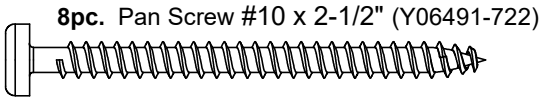
**90pc.** Pan Screw #10 x 1-1/4"  
(Y06491-711)



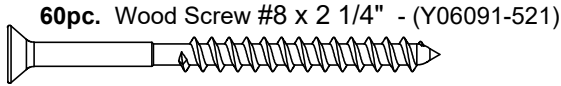
**18pc.** - 1/4" Lock Nut  
(Y08318-203)



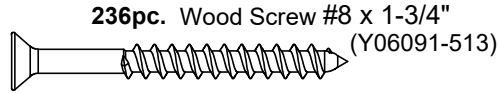
**8pc.** - 3/8" Lock Nut  
(Y08318-803)



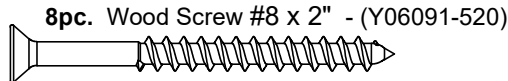
**8pc.** Pan Screw #10 x 2-1/2" (Y06491-722)



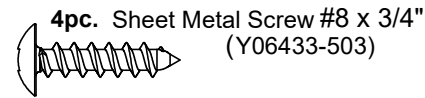
**60pc.** Wood Screw #8 x 2 1/4" - (Y06091-521)



**236pc.** Wood Screw #8 x 1-3/4"  
(Y06091-513)

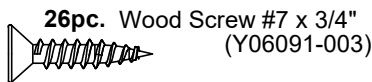
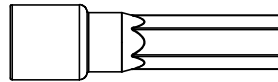


**8pc.** Wood Screw #8 x 2" - (Y06091-520)



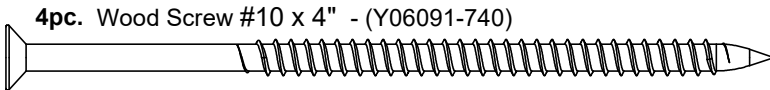
**4pc.** Sheet Metal Screw #8 x 3/4"  
(Y06433-503)

**1pc.** - Hex Driver (Y00400-004)

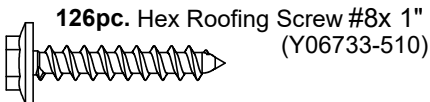


**26pc.** Wood Screw #7 x 3/4"  
(Y06091-003)

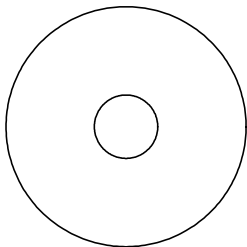
**1pc.** - 1/8" Drill Bit  
(Y00400-002)



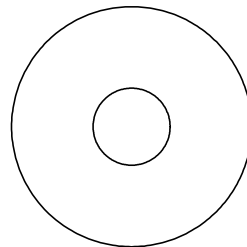
**4pc.** Wood Screw #10 x 4" - (Y06091-740)



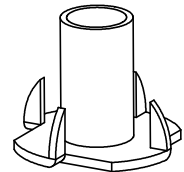
**126pc.** Hex Roofing Screw #8x 1"  
(Y06733-510)



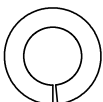
**108pc.**  
1/4-5/16 x 1-1/4" Large Washer  
(Y05118-311)



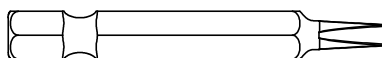
**16pc.**  
3/8 x 1-1/4" Large Washer  
(Y05118-811)



**40pc.** 5/16 - T-Nut  
(Y08518-300)

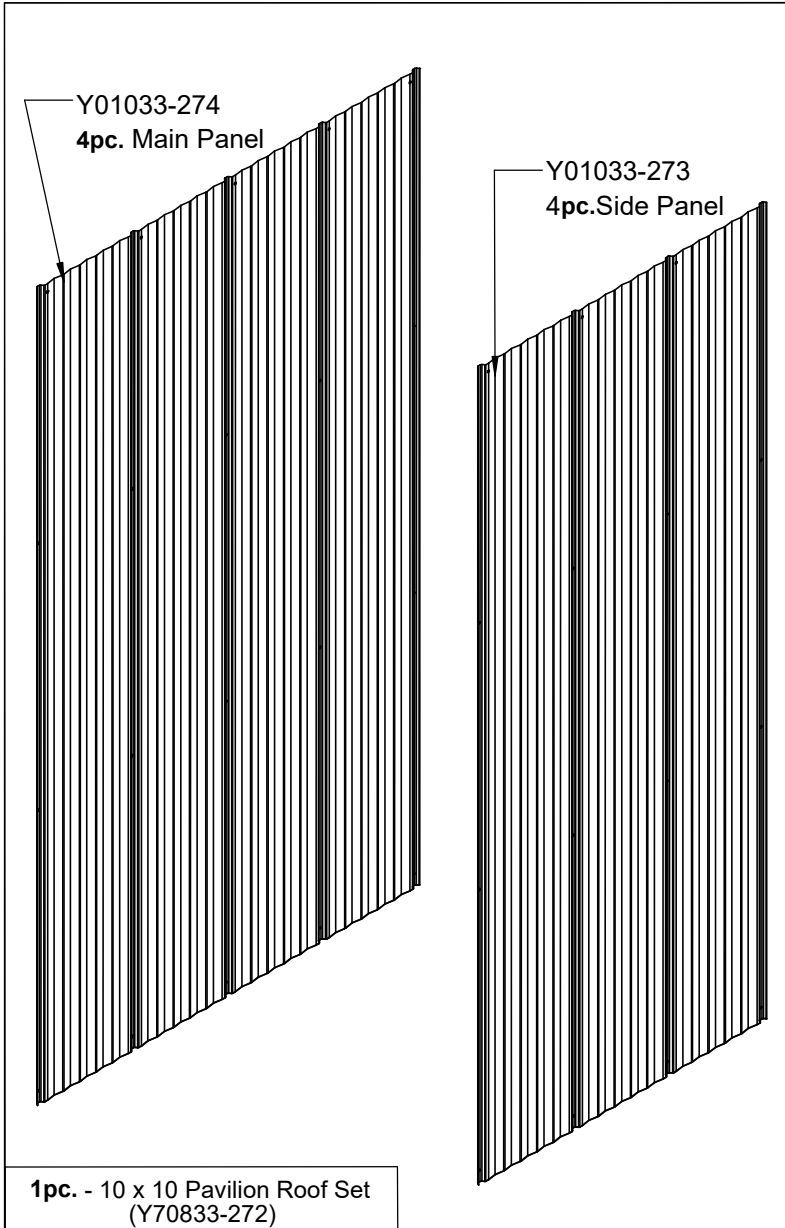


**40pc.** 5/16" Lock Washer  
(Y05318-300)



**1pc.** #2 x 2" Robertson Driver (Y00400-005)

# Hardware Identification ( Dimensions are approximate and are shown to assist in the identification of parts for assembly. Actual dimensions may be smaller or larger. )



2pc.  
Ridge Cap Short  
(Y01033-278)



4pc.  
Ridge Clip 15  
(Y01033-276)



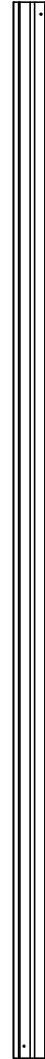
2pc.  
Roof Edge Left  
(Y01033-152)



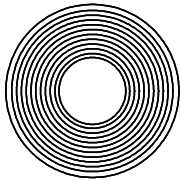
2pc.  
Roof Edge Right  
(Y01033-275)



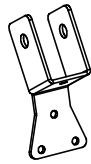
1pc.  
Ridge Cap  
(Y01033-277)



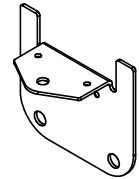
2pc.  
Ridge Clip  
(Y01033-114)



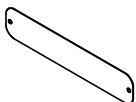
1pc. - Weather Seal -  
Ridge Clip (6Pk)  
(Y70818-280)



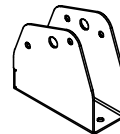
1pc. - Rafter Beam  
Bracket Set (8Pk)  
(Y70829-281)



1pc. - Post Mount  
Bracket Set (8Pk)  
(Y70819-109)



1pc. - Gazebo ID Plaque  
(Y70800-104)



1pc. - Tie Wrap  
Bracket Set (8Pk)  
(Y70819-106)

# Step 1: Inventory Parts - Read This Before Starting Assembly



- A.** This is the time for you to inventory all your hardware, wood and accessories, referencing the parts identification sheets. This will assist you with your assembly.
- Each step indicates which bolts and/or screws you will need for assembly, as well as any flat washers, lock washers, t-nuts or lock nuts.
- B.** If there are any missing or damaged pieces or you need assistance with assembly please contact the consumer relations department directly. Call us before going back to the store.

**1-888-509-4382**

**support@yardistrystructures.com**

- C.** Read the assembly manual completely, paying special attention to ANSI warnings; notes; and safety/maintenance information on pages 1 - 4.
- Follow the instructions in order.
  - This structure is designed to be assembled and installed ideally by four people, DO NOT attempt to install alone.
  - Consider the slope of elevation where you plan to install the structure. Also, check for gas, telephone, other utilities or sprinkler line locations prior to excavating any holes.
- D.** Before you discard your cartons fill out the form below.
- The carton I.D. stamp is located on the end of each carton.
  - Please retain this information for future reference. You will need this information if you contact the Consumer Relations Department.

**PRODUCT NUMBER: YM11909**

CARTON I.D. STAMP: \_ \_ \_ \_ \_ (Box 1)

CARTON I.D. STAMP: \_ \_ \_ \_ \_ (Box 2)

CARTON I.D. STAMP: \_ \_ \_ \_ \_ (Box 3)

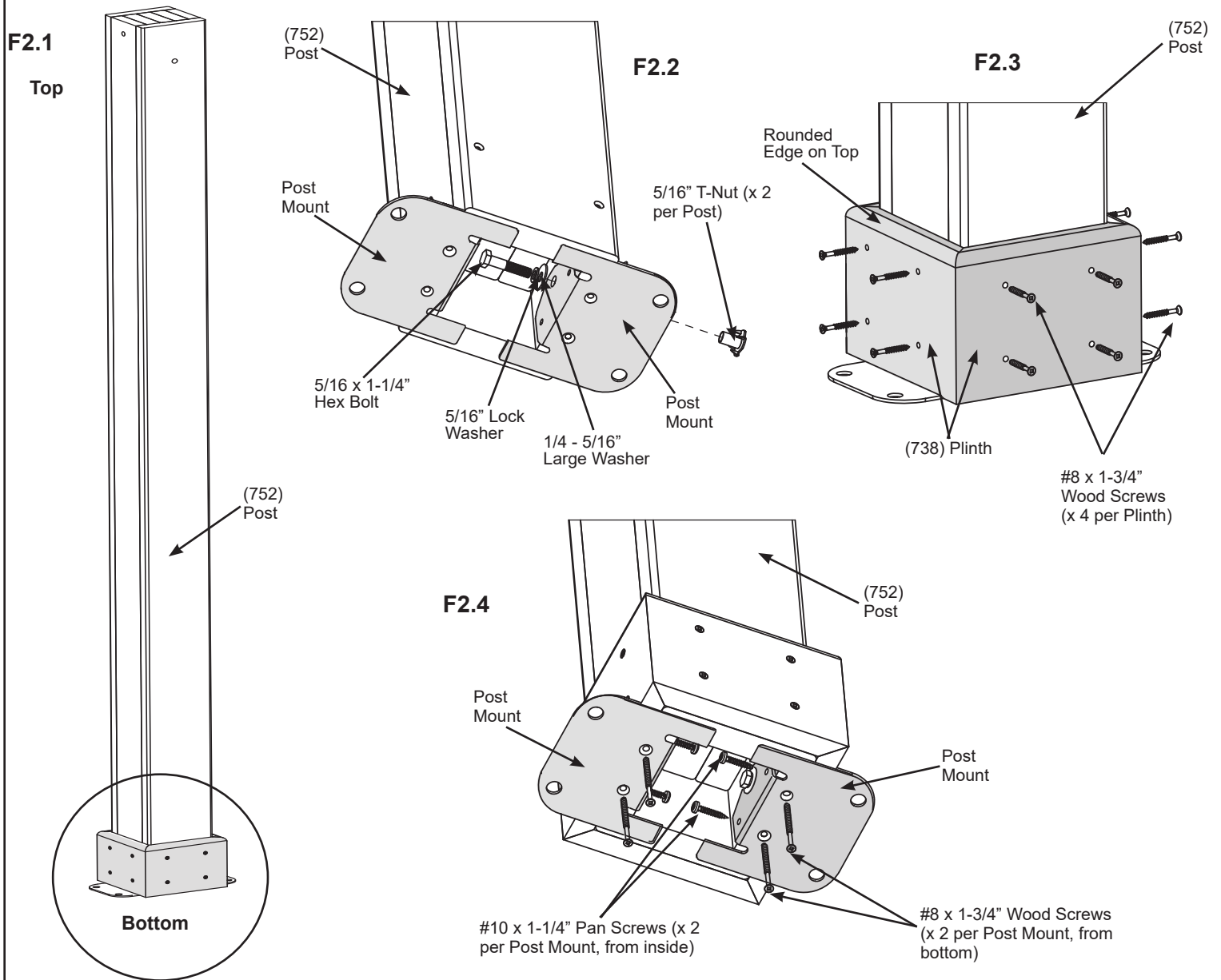
## Step 2: Post Assemblies

**A:** At the bottom of each (752) Post insert two 5/16" T-Nuts as shown in F2.1 and F2.2.

**B:** At the bottom of each (752) Post place two Post Mounts tight to the bottom and inside faces as shown in F2.1 and F2.2. Loosely attach with one 5/16 x 1-1/4" Hex Bolt (with 5/16" lock washer and 1/4-5/16" large washer) per mount so they connect to the T-Nuts.

**C:** On each side of the Posts, place one (738) Plinth flush to the bottom and attach with four #8 x 1-3/4" Wood Screws per plinth. Rounded edges on top. (F2.1 and F2.3)

**D:** From the bottom of each Post Mount attach to posts with two #8 x 1-3/4" Wood Screws per mount and then from the inside with two #10 x 1-1/4" Pan Screws per mount. These screws are installed at a slight angle. Tighten all bolts. There will be four Post Assemblies. (F2.4)



### Wood Parts

4 x (752) Post  
16 x (738) Plinth

### Hardware

16 x #10 x 1-1/4" Pan Screw  
80 x #8 x 1-3/4" Wood Screw  
8 x Post Mount  
8 x 5/16" T-Nut  
8 x 5/16 x 1-1/4" Hex Bolt (with 5/16" lock washer, 1/4-5/16" large washer)

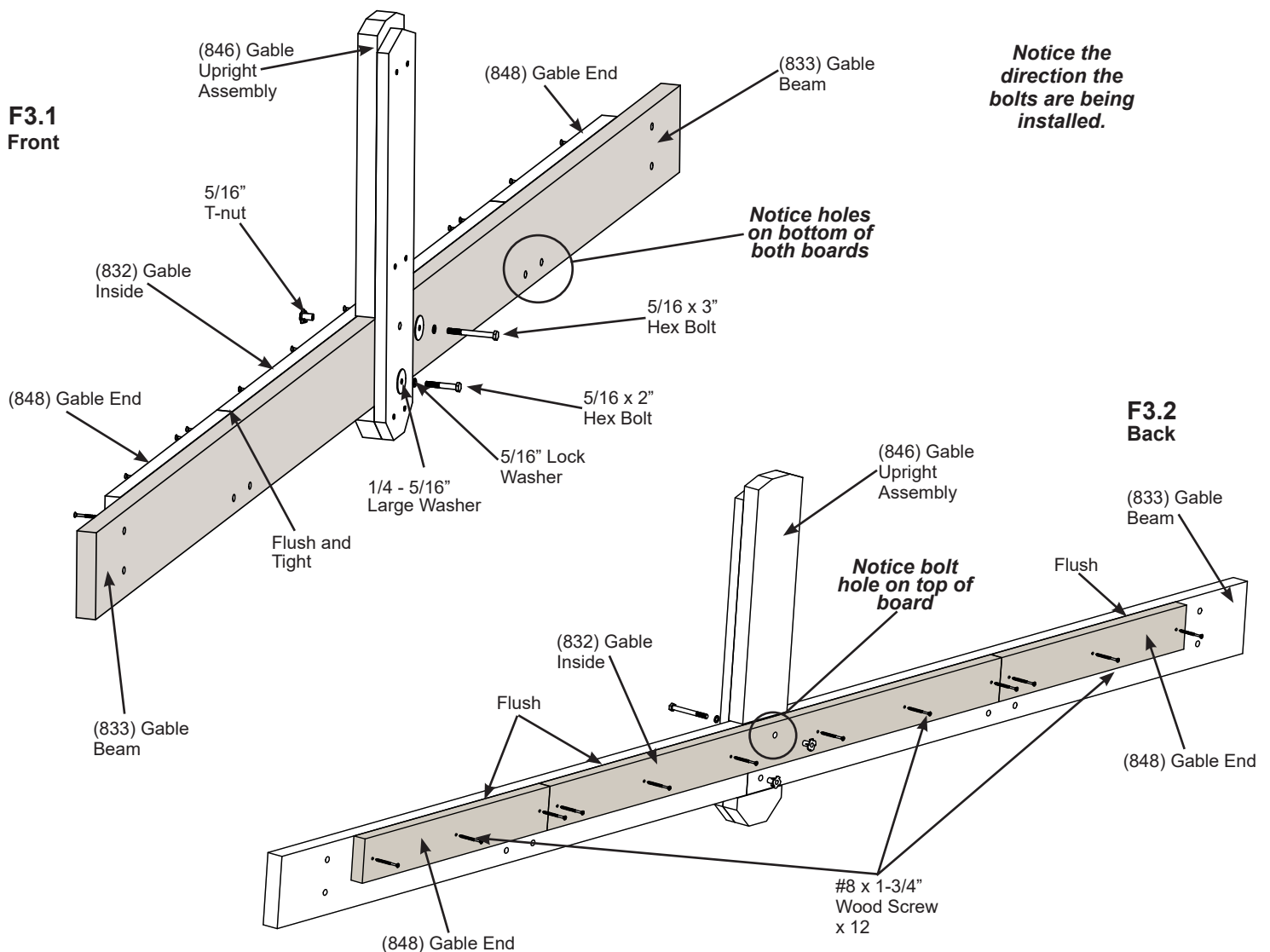
## Step 3: Gable Beam Assembly

**A:** Place two (833) Gable Beams tight together, then place one (846) Gable Upright Assembly centred, on one side of (833) Gable Beams and one (832) Gable Inside on the other side. (832) Gable Inside to be flush to top of (833) Gable Beams. Loosely attach (846) Gable Upright Assembly to (833) Gable Beams and (832) Gable Inside with one 5/16 x 3" Hex Bolt (with 5/16" lock washer, 1/4-5/16" large washer and 5/16" t-nut) in the top hole and 5/16 x 2" Hex Bolt (with 5/16" lock washer, 1/4-5/16" large washer and 5/16" t-nut) in the bottom hole. *Note: Bolt holes to the bottom of each (833) Gable Beam.* (F3.1 and F3.2)

**B:** Attach (832) Gable Inside to (833) Gable Beams with six #8 x 1-3/4" Wood Screws. Tighten bolts from Step A. (F3.1 and F3.2)

**C:** Place one (848) Gable End tight to each side of (832) Gable Inside, flush to the top of (833) Gable Beams then attach with three #8 x 1-3/4" Wood Screws per board. (F3.1 and F3.2)

**D:** Repeat Steps A - C one more time to make a second Gable Beam Assembly.



### Wood Parts

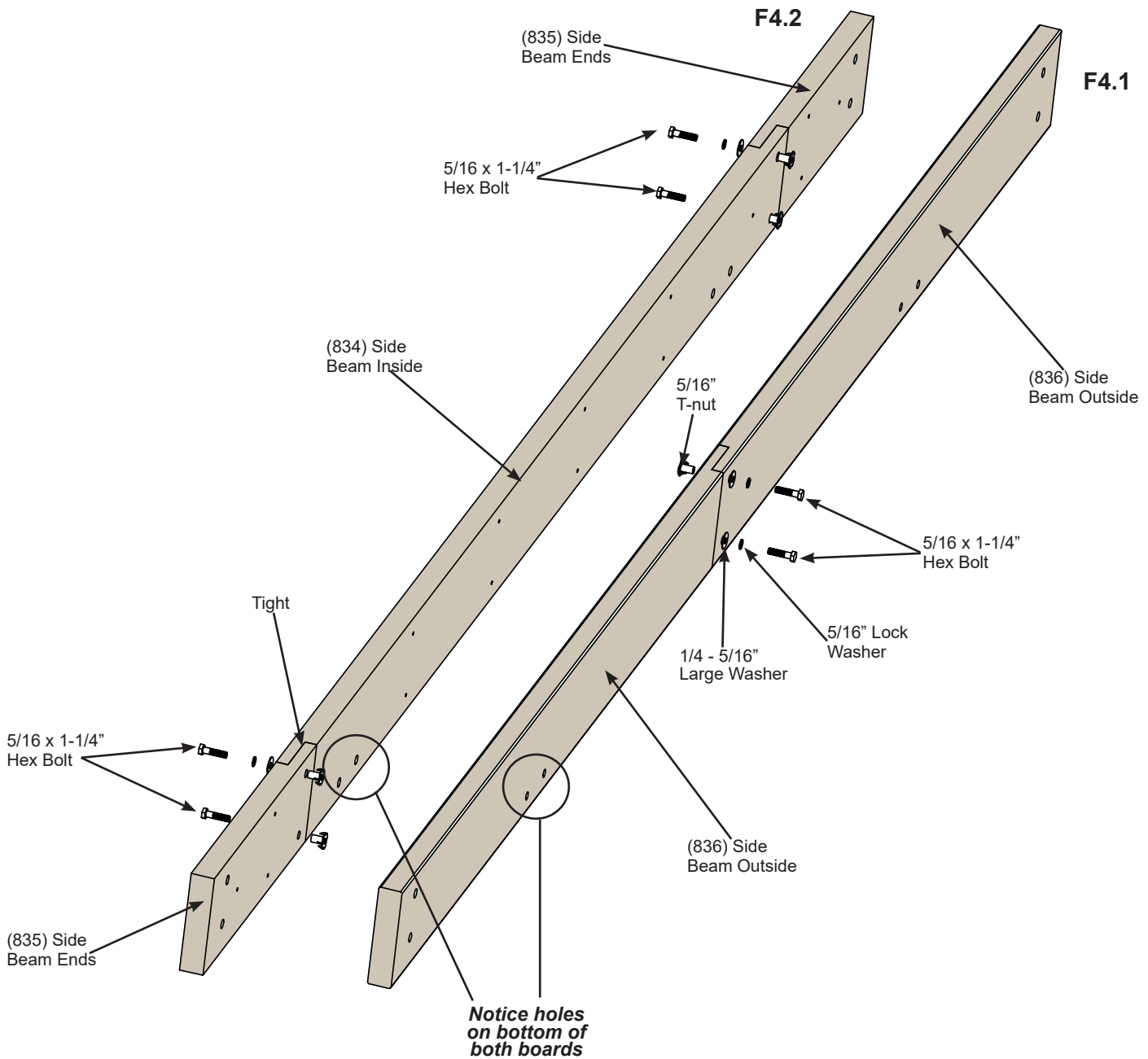
- 4 x (833) Gable Beam
- 2 x (846) Gable Upright Assembly
- 2 x (832) Gable Inside
- 4 x (848) Gable End

### Hardware

- 2 x 5/16 x 2" Hex Bolt  
(5/16" lock washer, 1/4-5/16" large washer, 5/16" t-nut)
- 2 x 5/16 x 3" Hex Bolt  
(5/16" lock washer, 1/4-5/16" large washer, 5/16" t-nut)
- 24 x #8 x 1-3/4" Wood Screw

# Step 4: Side Beam Assembly Part 1

- A:** Fit two (836) Side Beam Outsides together so the middle pilot holes are at the bottom for both. Connect using two 5/16 x 1-1/4" Hex Bolts (with 5/16" lock washer, 1/4-5/16" large washer and 5/16" t-nut) as shown in F4.1.
- B:** Connect one (835) Side Beam Ends to each end of one (834) Side Inside Beam using two 5/16 x 1-1/4" Hex Bolts (with 5/16" lock washer, 1/4-5/16" large washer and 5/16" t-nut) per end as shown in F4.2.
- C:** Repeat Steps A and B one more time to make two Outside Beam Assemblies and two Inside Beam Assemblies.



### Wood Parts

- 4 x (836) Side Beam Outside
- 2 x (834) Side Beam Inside
- 4 x (835) Side Beam Ends

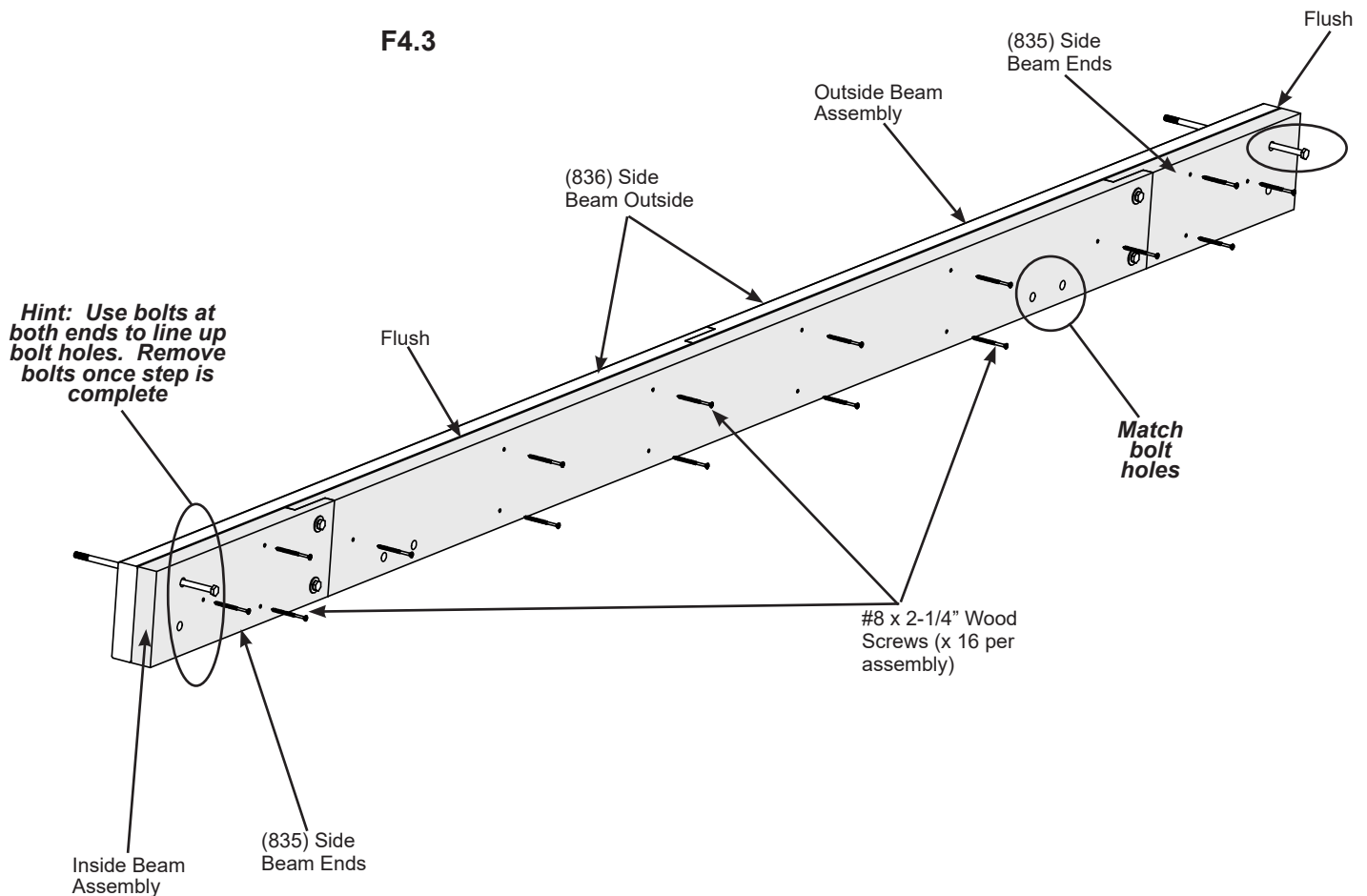
### Hardware

- 12 x 5/16 x 1-1/4" Hex Bolt  
(5/16" lock washer, 1/4-5/16" large washer, 5/16" t-nut)

## Step 4: Side Beam Assembly Part 2

**D:** Place one Outside Beam Assembly and one Inside Beam Assembly together so the ends are flush. Match the bolt holes in each assembly. Attach assemblies with 16 #8 x 2-1/4" Wood Screws. (F4.3)

**E:** Repeat Step D one more time to make a second Side Beam Assembly.

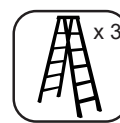


### Hardware

32 x #8 x 2-1/4" Wood Screw



# Step 5: Frame Assembly and Anchoring Part 1

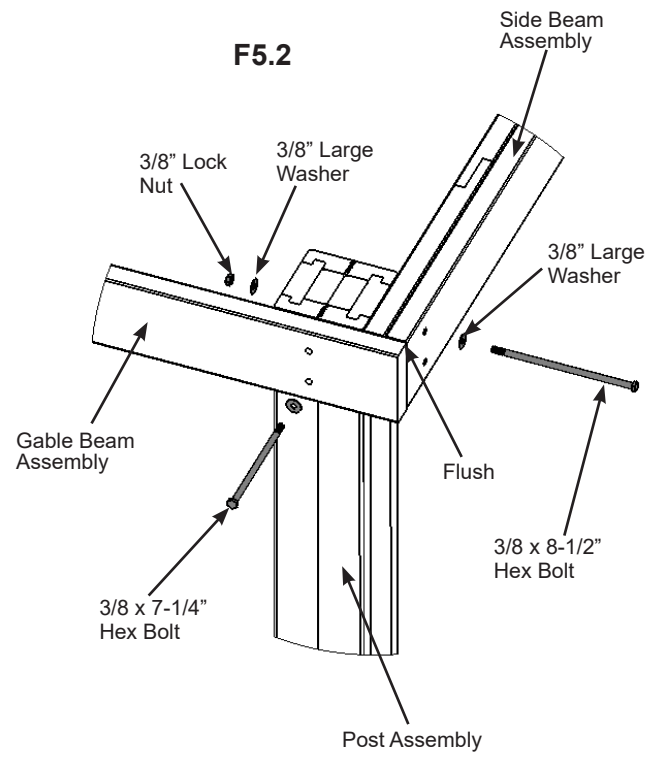
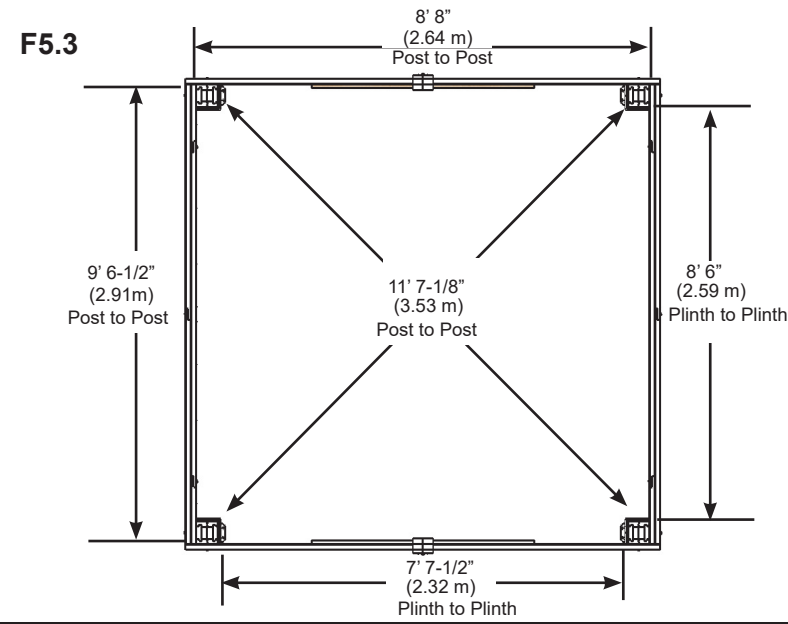
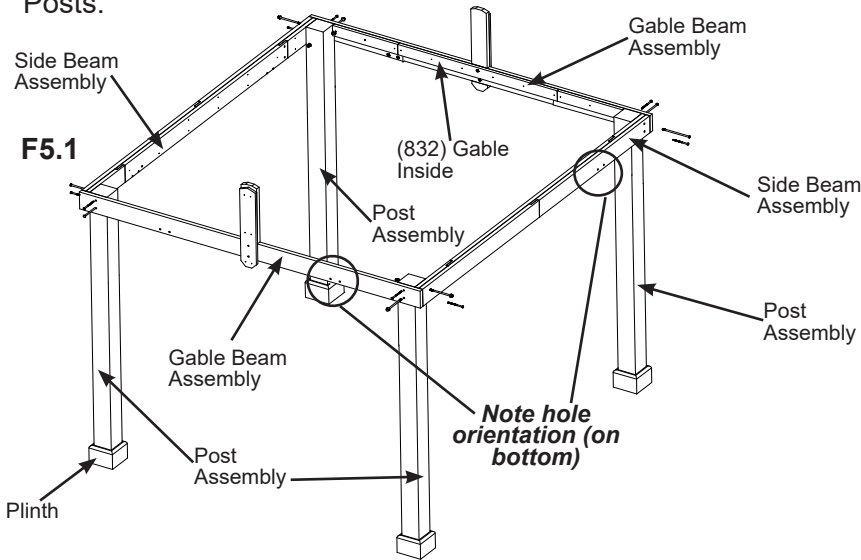


**A:** Move your Post Assemblies to the final location. Make sure the ground is flat and level before continuing assembly.

**B:** With one person at each Post stand two complete Post Assemblies. A third person places one Side Beam Assembly against the outside of each Post, flush to the tops and outside corners. Notice bolt hole orientation on the assemblies. A fourth person attaches Beam to Post with one 3/8" x 8-1/2" Hex Bolt (with two 3/8" large washers and one 3/8" lock nut) in the top hole, per Post. The distance from the outside of one Post to the outside of the second Post should be 9' 6-1/2" (2.91 m). (F5.1, F5.2 and F5.3)

**C:** Place one Gable Beam Assembly against two Post Assemblies so the (832) Gable Inside faces the inside and is flush to the top and outside corner of Side Beam Assembly, then attach with one 3/8" x 7-1/4" Hex Bolt (with two 3/8" large washers and one 3/8" lock nut) in the bottom hole, per Post. The distance from the outside of one Post to the outside of the second Post should be 9' 1" (2.77 m). (F5.1 and F5.2) See F5.3 for accurate positioning of Posts.

**D:** Repeat Steps B and C for remaining Beam Assemblies. See F5.3 for accurate positioning of Posts.



## Hardware

- 4 x 3/8 x 8-1/2" Hex Bolt (3/8" large washer x 2, 3/8" lock nut)
- 4 x 3/8 x 7-1/4" Hex Bolt (3/8" large washer x 2, 3/8" lock nut)

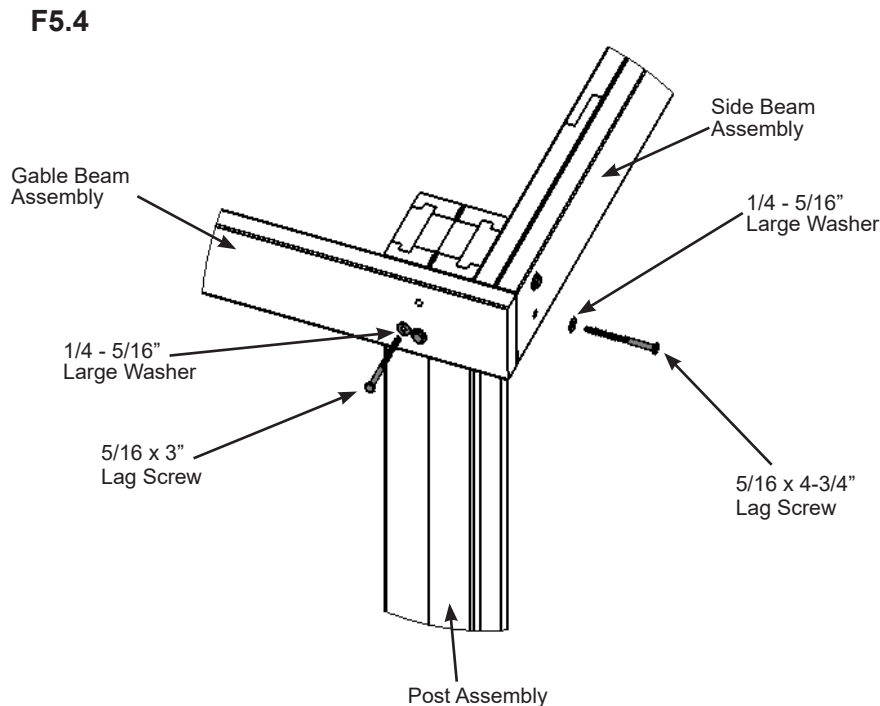
## Step 5: Frame Assembly and Anchoring Part 2



**E:** Make sure each corner is square and level then attach Side Beam Assembly to Post Assemblies with one 5/16 x 4-3/4" Lag Screw (with 1/4-5/16" large washer) per corner and Gable Beam Assembly to Post Assemblies with one 5/16 x 3" Lag Screw (with 1/4-5/16" large washer) per corner as shown below. (F5.4)

**F:** Depending on what you are placing the Pavilion on will determine how you anchor it to that surface. Please refer to pages 6 and 7 for installation examples.

***Any hardware or extra materials for mounting will have to be purchased in advance.***

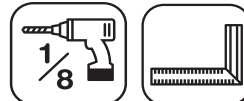


### Hardware

4 x 5/16 x 4-3/4" Lag Screw (1/4-5/16" large washer)

4 x 5/16 x 3" Lag Screw (1/4-5/16" large washer)

# Step 6: Attach Gussets



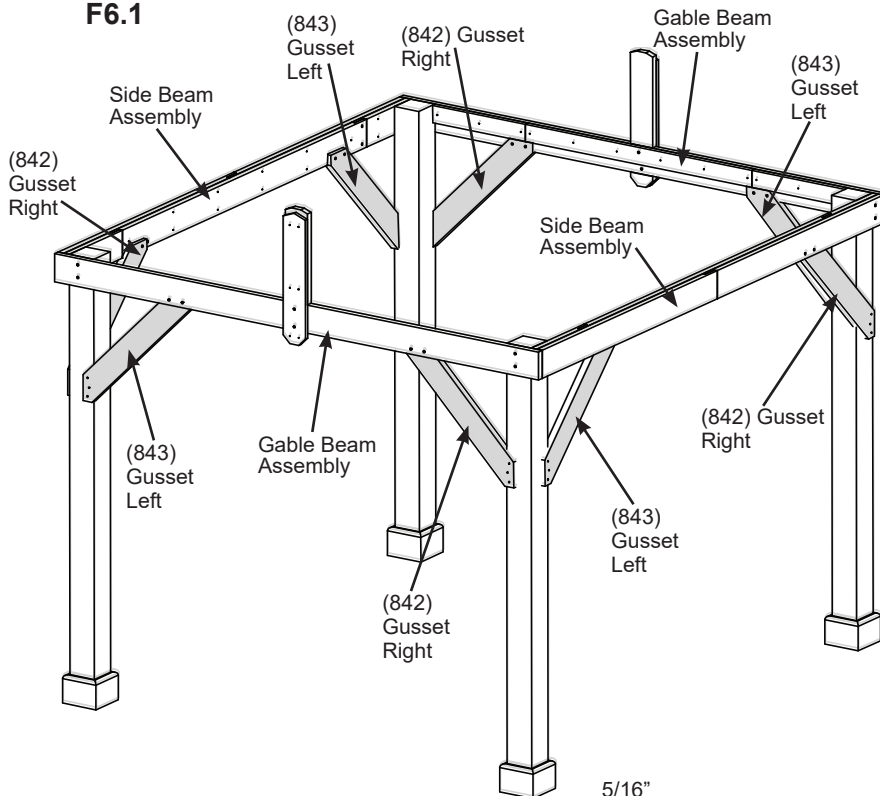
**Note:** The bevelled ends on each gusset should always face away from the wood it is attaching to.

**A:** Make sure the assembly is still square and level then facing one Side Beam Assembly place one (842) Gusset Right on the right hand side so the top fits tight to the Side Beam Assembly and the bottom fits tight to the Post Assembly. Attach gusset to Side Beam Assembly with two 5/16 x 3-1/4" Hex Bolts (with 5/16" lock washer, 1/4-5/16" large washer and 5/16" t-nut). Pre-drill with a 1/8" drill bit then attach gusset to Post Assembly with three 1/4 x 1-15/16" Lag Screws (with 1/4-5/16" large washer). Repeat for the left hand side with one (843) Gusset Left. (F6.1 and F6.2)

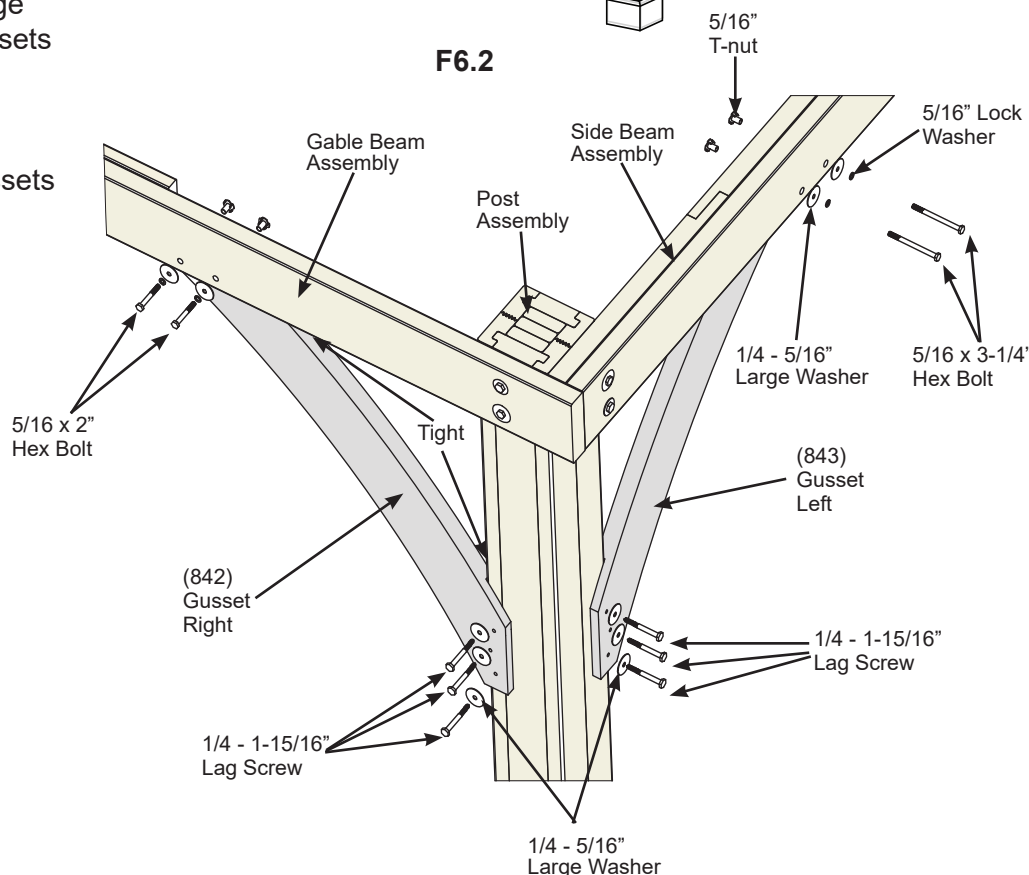
**B:** Repeat Step A for Gable Beam Assembly using two 5/16 x 2" Hex Bolts (with 5/16" lock washer, 1/4-5/16" large washer and 5/16" t-nut) to attach gussets to Gable Beam Assembly. (F6.1 and F6.2)

**C:** Repeat Steps A and B so all 8 gussets are attached. (F6.1 and F6.2)

F6.1



F6.2



### Wood Parts

- 4 x (842) Gusset Right
- 4 x (843) Gusset Left

### Hardware

- 24 x 1/4 x 1-15/16" Lag Screw (1/4-5/16" large washer)
- 8 x 5/16 x 3-1/4" Hex Bolt (5/16" lock washer, 1/4-5/16" large washer, 5/16" t-nut)
- 8 x 5/16 x 2" Hex Bolt (5/16" lock washer, 1/4-5/16" large washer, 5/16" t-nut)

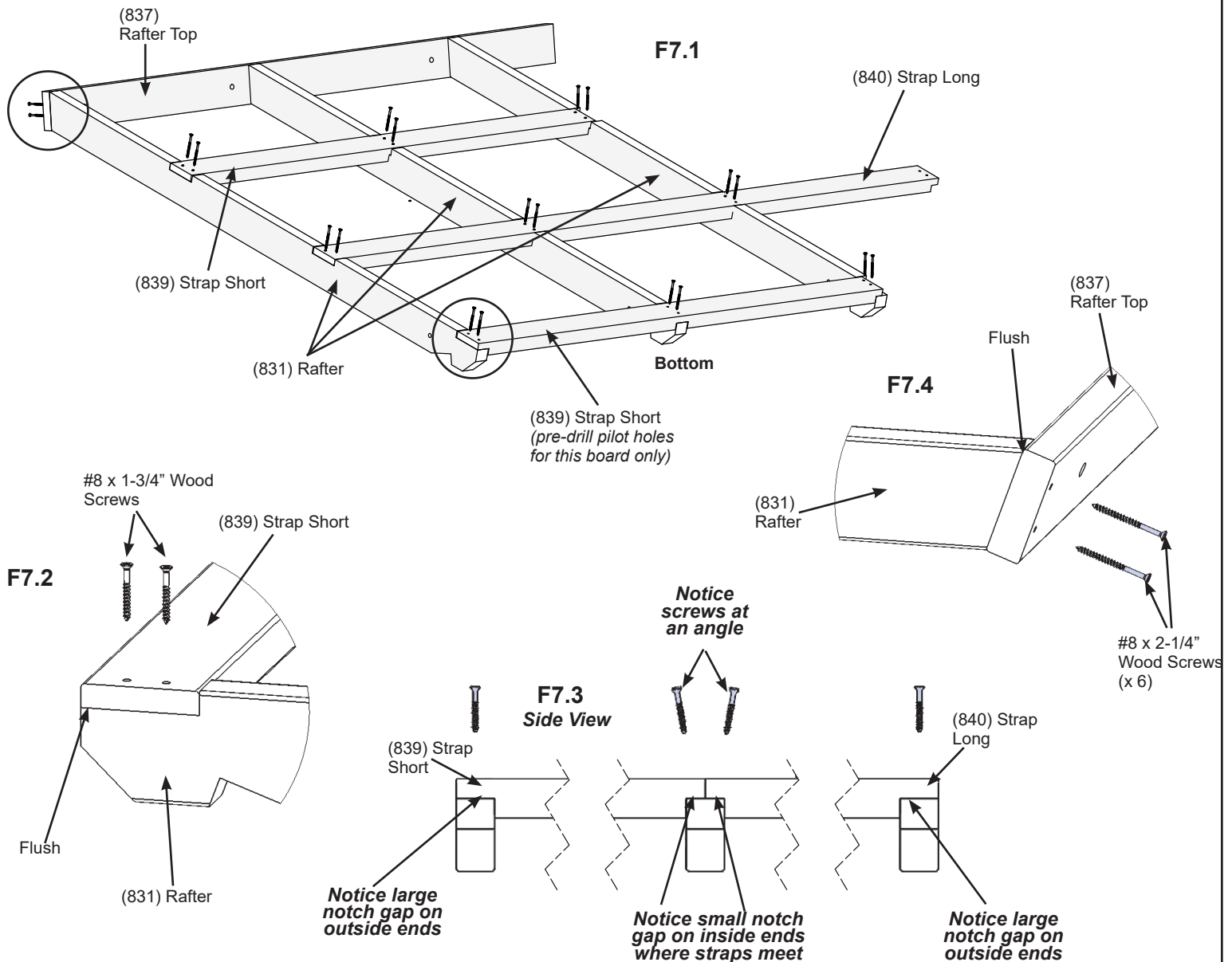
# Step 7: Roof Panel Frame Part 1



**A:** Lay out three (831) Rafters on a hard flat surface as shown in F7.1. You will need lots of room for this step.

**B:** Place 1 (839) Strap Short on the bottom of three (831) Rafters, flush to the outside edge of the first and centred on the last. Be sure the wider gap on (839) Strap Short is on the first (831) Rafter. Follow by placing one (840) Strap Long then another (839) Strap Short in the same manner. Make sure the assembly is square, pre-drill the first (839) Strap Short with a 1/8" drill bit as shown below, then attach both (839) Strap Short and (840) Strap Long with six #8 x 1-3/4" Wood Screws per board. The screws on the third (831) Rafter are inserted at an angle. (F7.1, F7.2 and F7.3)

**C:** Place one (837) Rafter Top on the angled ends of the (831) Rafters so the outside edges are flush then attach to (831) Rafters with six #8 x 2-1/4" Wood Screws. (F7.1 and F7.4)



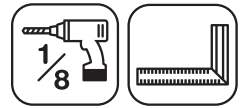
### Wood Parts

- 12 x (831) Rafter
- 4 x (839) Strap Short
- 2 x (840) Strap Long
- 2 x (837) Rafter Top

### Hardware

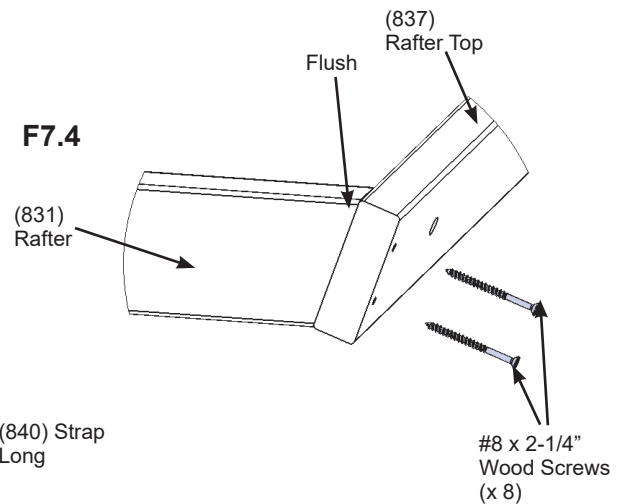
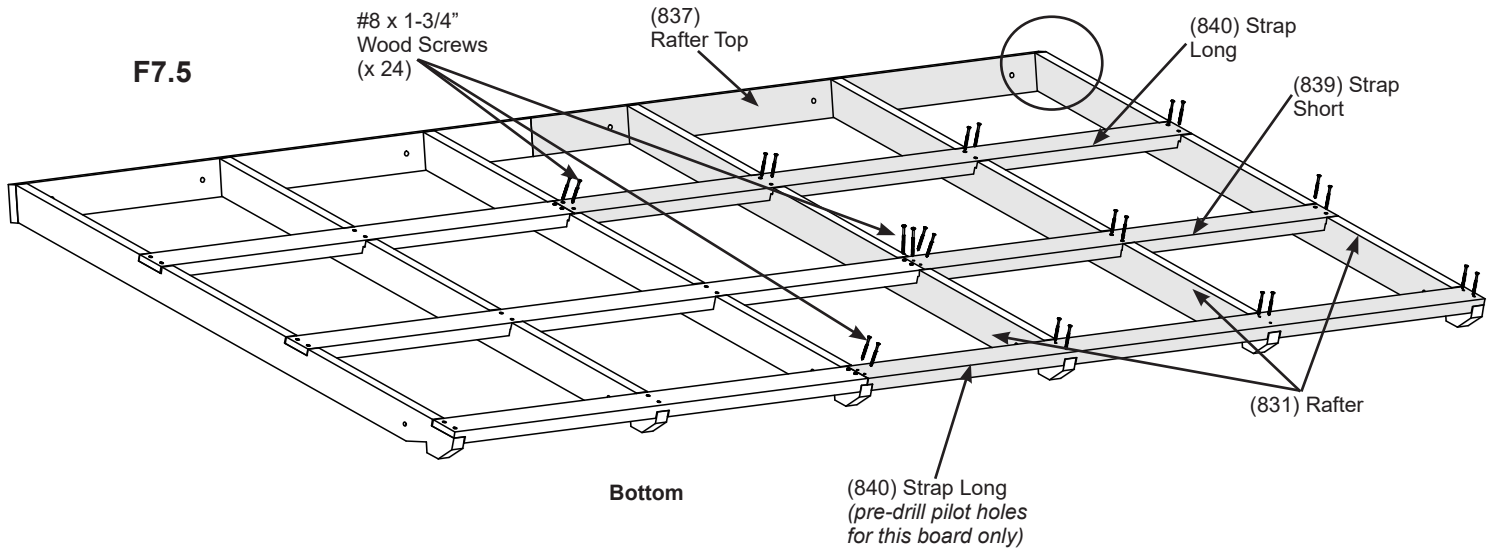
- 36 x #8 x 1-3/4" Wood Screw
- 12 x #8 x 2-1/4" Wood Screw

# Step 7: Roof Panel Frame Part 2

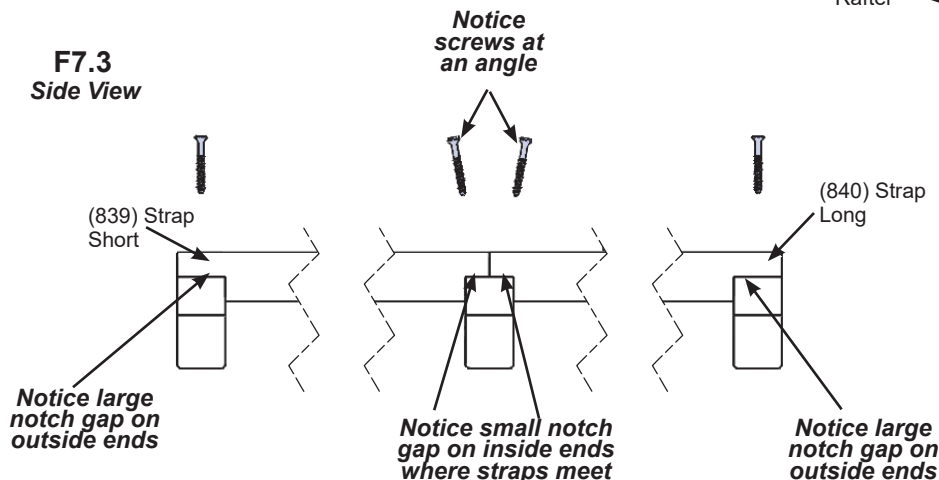


**D:** Lay out three more (831) Rafters beside the first three, then tight to each (839) Strap Short place one (840) Strap Long and tight to the first (840) Strap Long place one (839) Strap Short. Make sure the wider gap on each strap is on the outside. Make sure the assembly is square, pre-drill the first (840) Strap Long with a 1/8" drill bit, as shown below, then attach (840) Strap Longs and (839) Strap Short with 24 #8 x 1-3/4" Wood Screws. The screws where the straps meet are inserted at an angle. (F7.3 and F7.5)

**E:** Tight to the first (837) Rafter Top attach a second (837) Rafter Top with six #8 x 2-1/4" Wood Screws. (F7.4 and F7.5)



**F7.3**  
Side View



### Wood Parts

- 2 x (839) Strap Short
- 4 x (840) Strap Long
- 2 x (837) Rafter Top

### Hardware

- 48 x #8 x 1-3/4" Wood Screw
- 12 x #8 x 2-1/4" Wood Screw

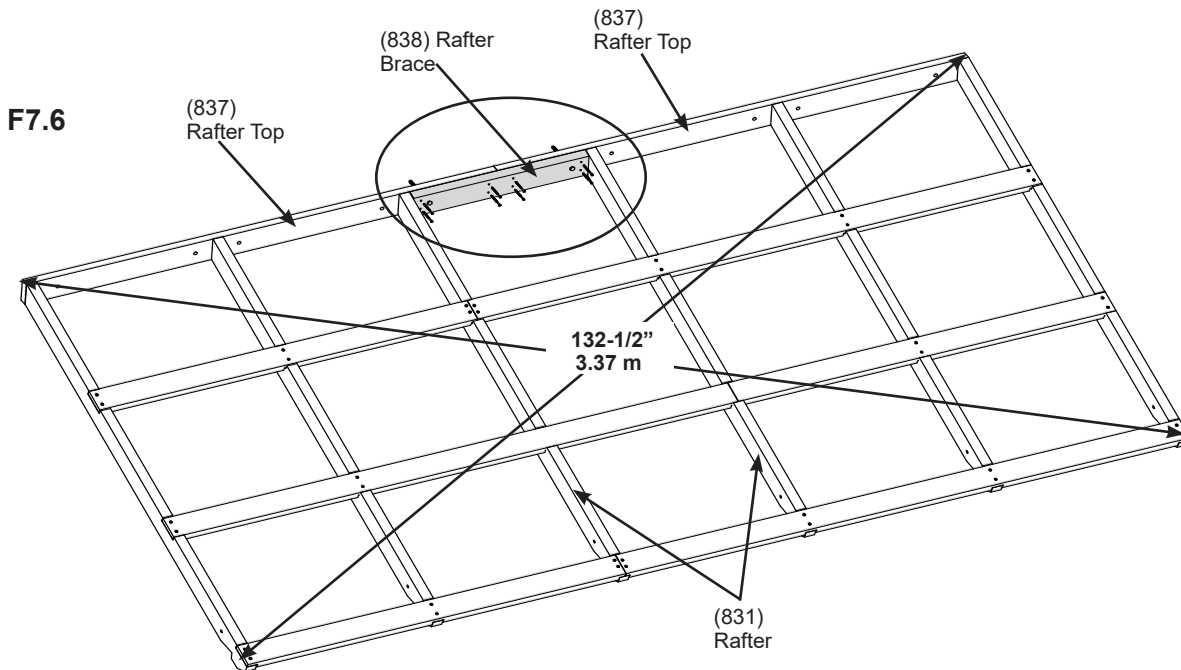
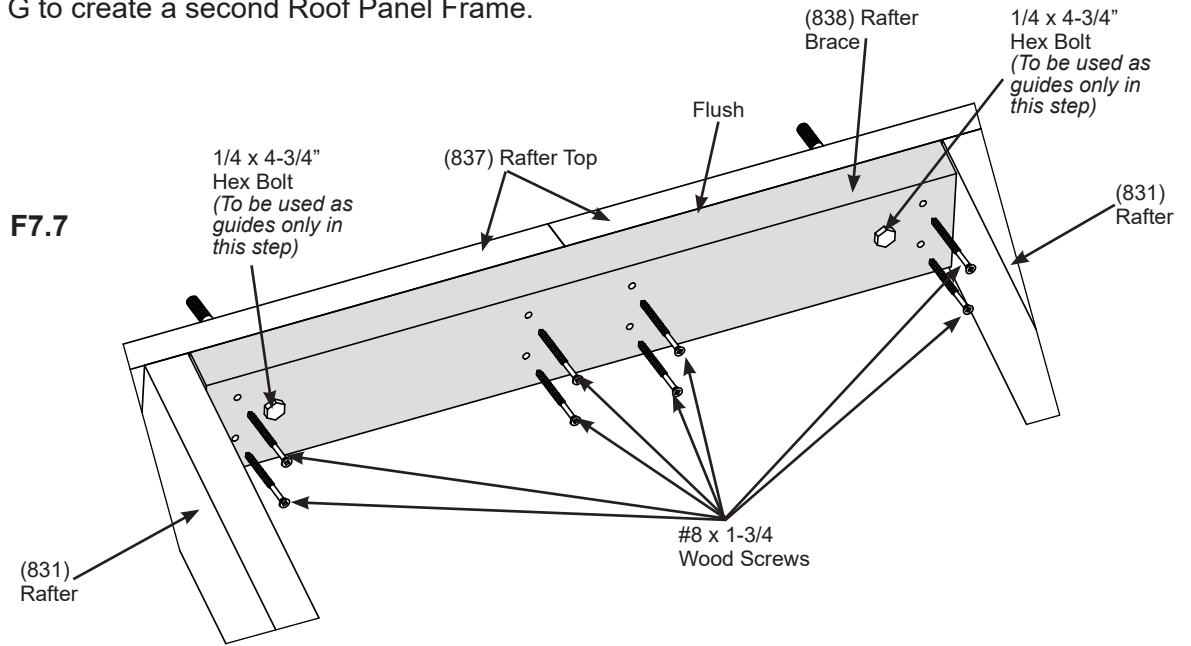
# Step 7: Roof Panel Frame Part 3



**F:** Make sure frame is square. Measurements to be as shown in F7.6.

**G:** In the centre middle gap between (831) Rafters place one (838) Rafter Brace flush to the top of each (837) Rafter Top. Use two 1/4 x 4-3/4" Hex Bolts as a guide to line up the bolt holes. Attach (838) Rafter Braces to (837) Rafter Tops with eight #8 x 1-3/4" Wood Screws. Remove each Hex Bolt as they will be used in a later step and not installed here. (F7.6 and F7.7)

**H:** Repeat Steps A - G to create a second Roof Panel Frame.

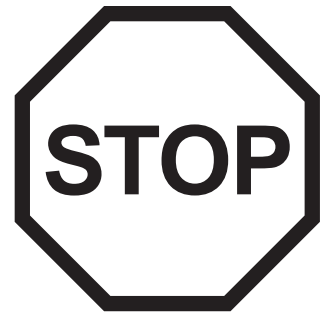
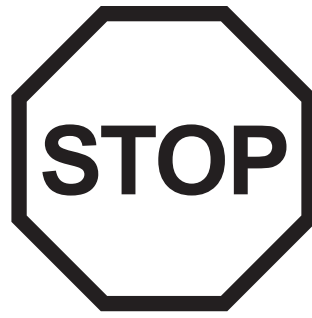


### Wood Parts

2 x (838) Rafter Brace

### Hardware

16 x #8 x 1-3/4" Wood Screw



# INSTALLING ROOFING MATERIAL

---

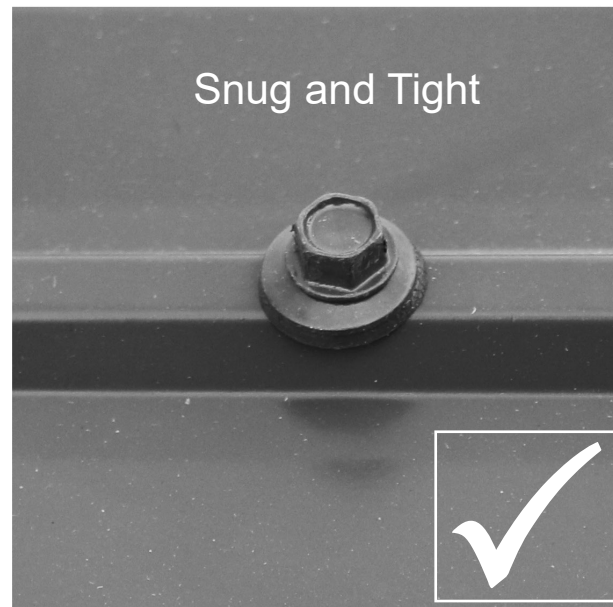
## CAUTION!

Roofing material may have sharp edges! Wear gloves!

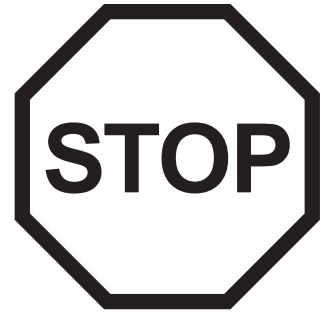
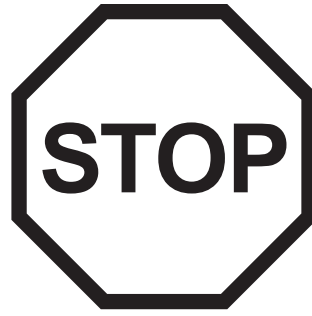
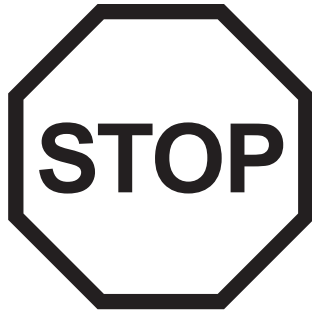
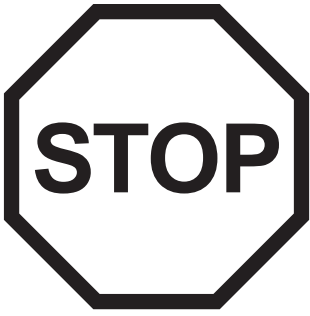
## HANDLE WITH CARE!

Place roofing material on a non-abrasive surface before assembly as it can bend, dent and scratch easily.

**WARNING – DO NOT OVER TIGHTEN ROOFING SCREWS!  
Over tightening screws will cause roofing material to crush.**



The roofing screws can easily crush the Roof Panels and Roof Edges when using a power drill. We recommend hand tightening the roofing screws so that they sit snug and tight to the roofing material.



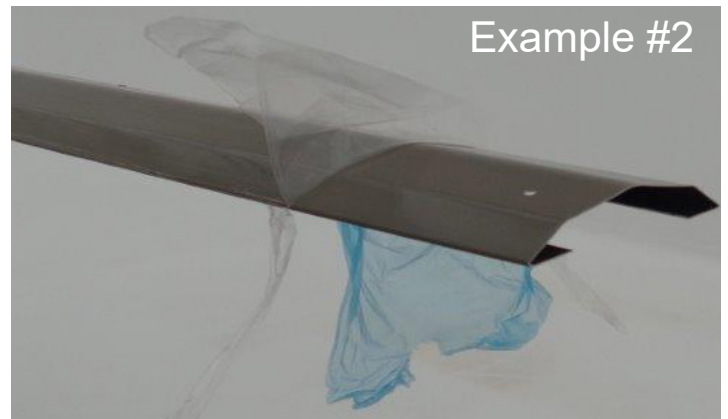
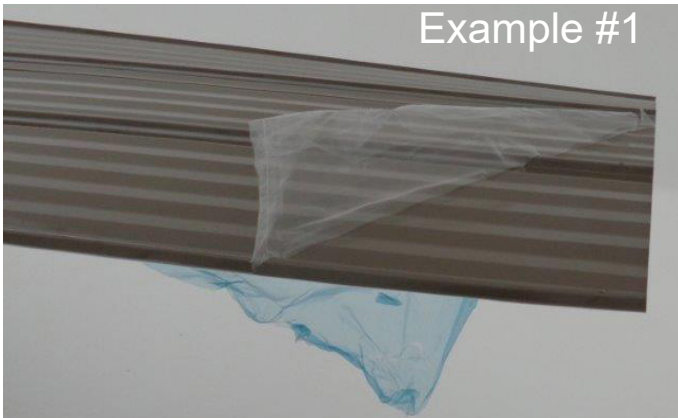
# INSTALLING ROOFING MATERIAL

---

## CAUTION!

Roofing material may have sharp edges! Wear gloves!

**BE SURE TO REMOVE ALL PLASTIC COVERING, ON BOTH SIDES OF THE ALUMINUM PANELS AND TRIM, DIRECTLY BEFORE INSTALLING EACH PIECE. *(One side is clear and the other is blue, both must be removed.)***





# Step 8: Attach Roof Panels Part 1



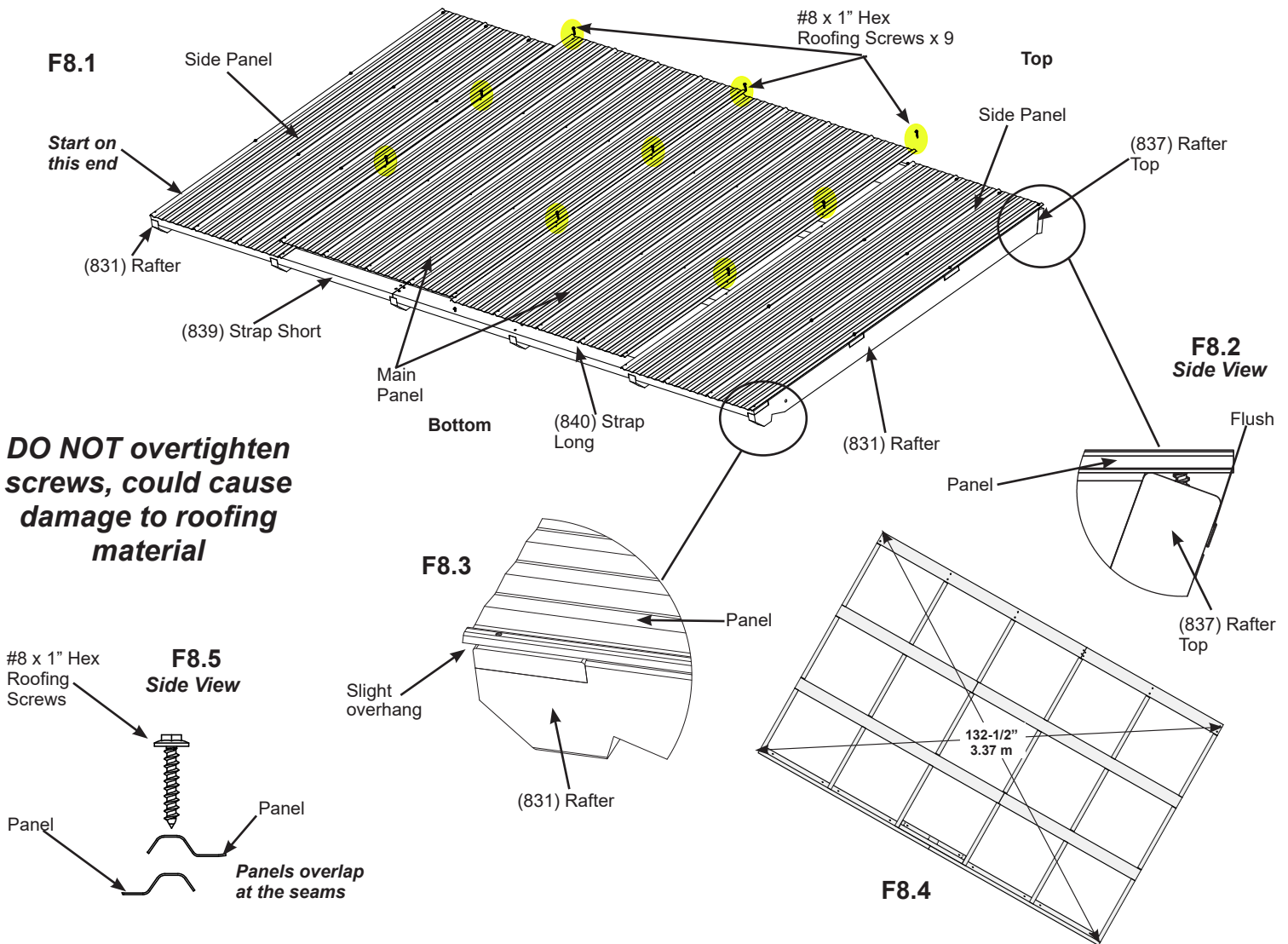
**Note:** Be sure to remove all plastic covering on both sides of the metal panels directly before installing each piece.

**A:** Make sure panel is still square then on one Roof Panel Frame place one Side Panel flush to the top and sides of the outside (831) Rafter on the side shown below. Panels should be flush to the top of the (837) Rafter Top. There will be a slight overhang at the bottom. There are no holes on the ribs at the top of the panel. (F8.1, F8.2, F8.3 and F8.4)

**B:** Place two more Main Panels beside the first then lastly one Side Panel so the panels overlap and screw holes line up as shown below. (F8.1 and F8.5)

**C:** Attach all four Panels to Roof Panel Frame using nine #8 x 1" Hex Roofing Screws in locations shown in F8.1. Do not install screws to the bottom (839) Strap Short and (840) Strap Long. Be sure not to overtighten screws.

**D:** Repeat Steps A - C for the second Roof Panel Frame.



### Roof Panel Set:

- 4 x Main Panel
- 4 x Side Panel

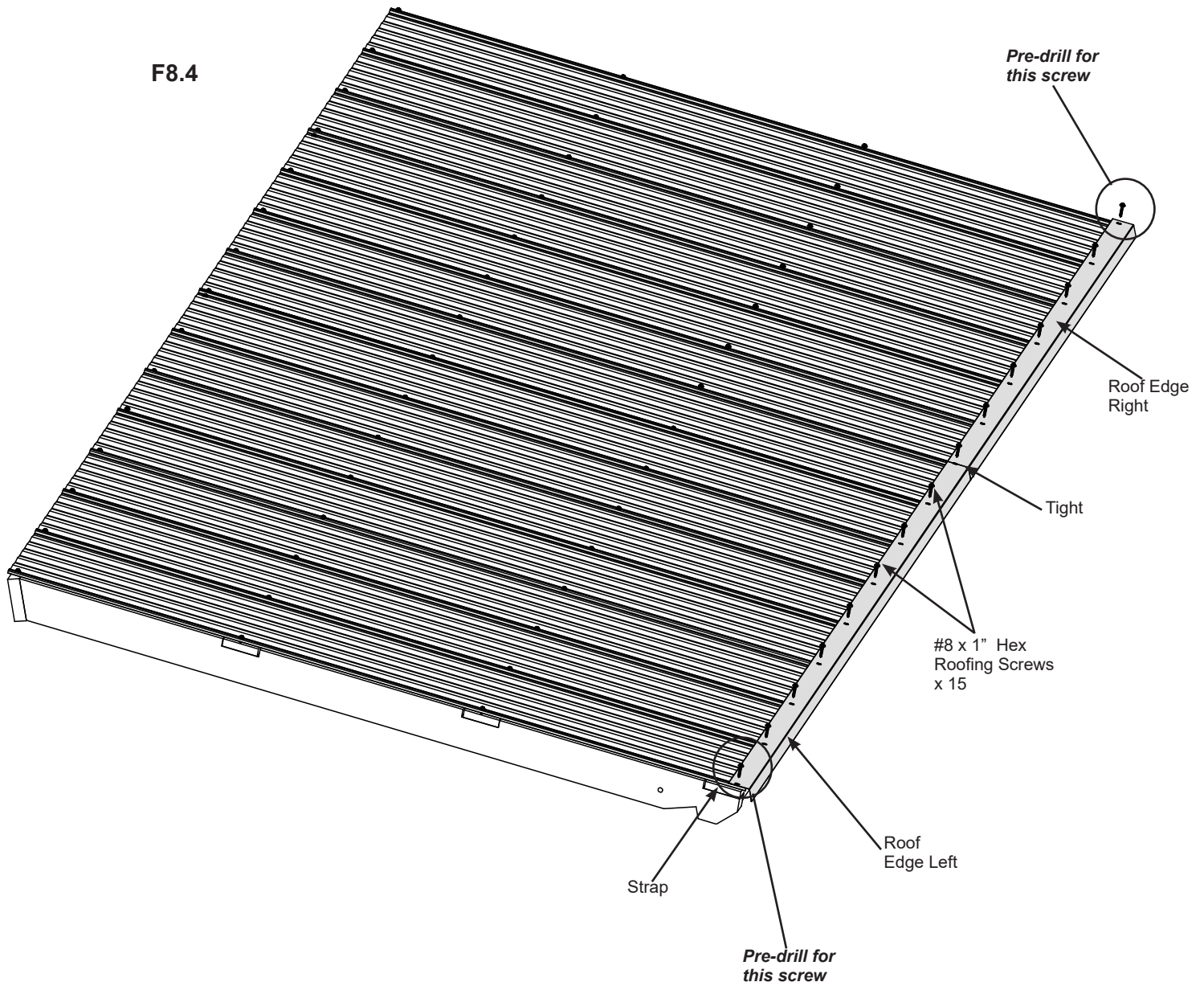
### Hardware

- 18 x #8 x 1" Hex Roofing Screw

# Step 8: Attach Roof Panels Part 2



**E:** Place one Roof Edge Left and one Roof Edge Right on the bottom of one Roof Panel Frame so they meet tight and the ends are flush with the outside ends of (839) Strap Short and (840) Strap Long. Pre-drill the end holes on both Roof Edge Right and Roof Edge Left with a 1/8" drill bit then attach both Roof Edges with 15 #8 x 1" Hex Roofing Screws. (F8.4)



### Components

2 x Roof Edge Left  
2 x Roof Edge Right

### Hardware

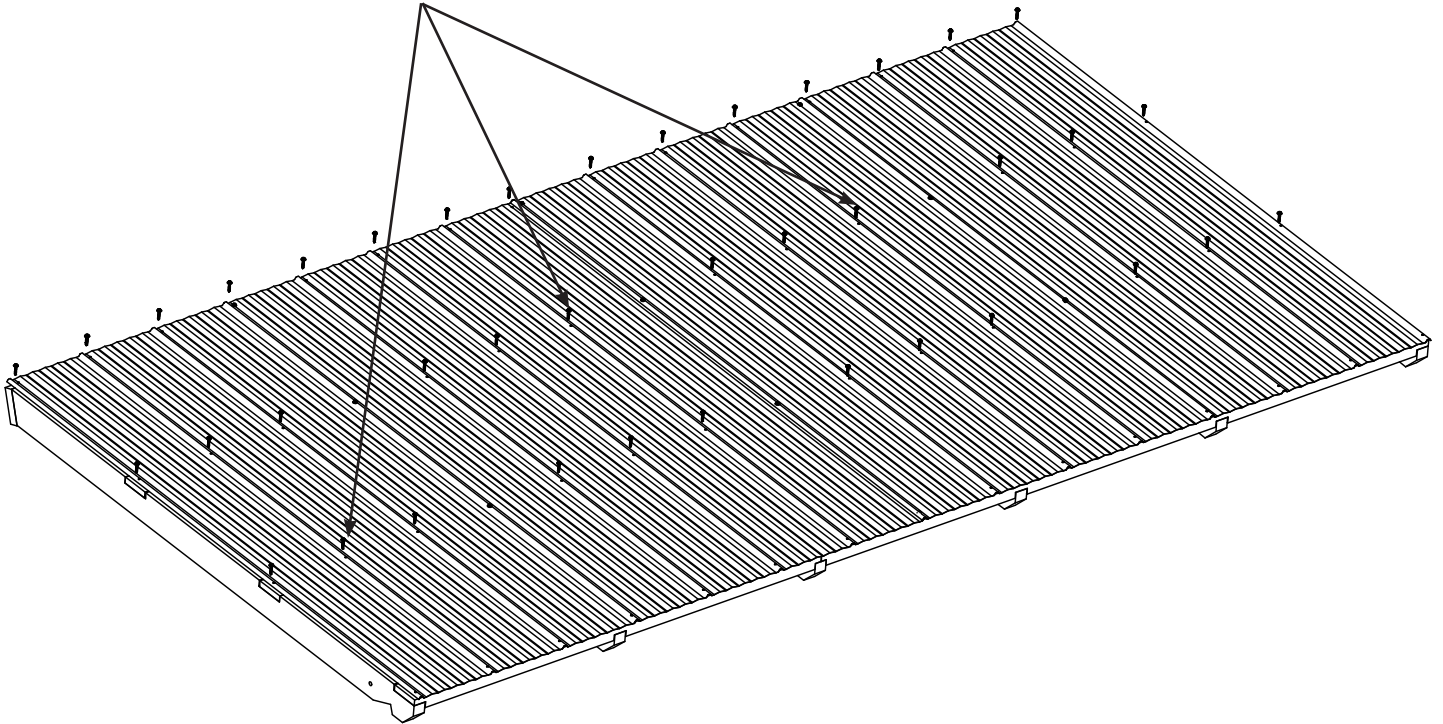
30 x #8 x 1" Hex Roofing Screw

# Step 8: Attach Roof Panels Part 3

F: Attach the Main Panels and Side Panels to Roof Panel Frame using 39 #8 x 1" Hex Roofing Screws as shown in F8.5. Be sure not to overtighten screws.

F8.5

#8 x 1" Hex Roofing Screws  
(39 per Panel Frame)



### Hardware

78 x #8 x 1" Hex Roofing Screw

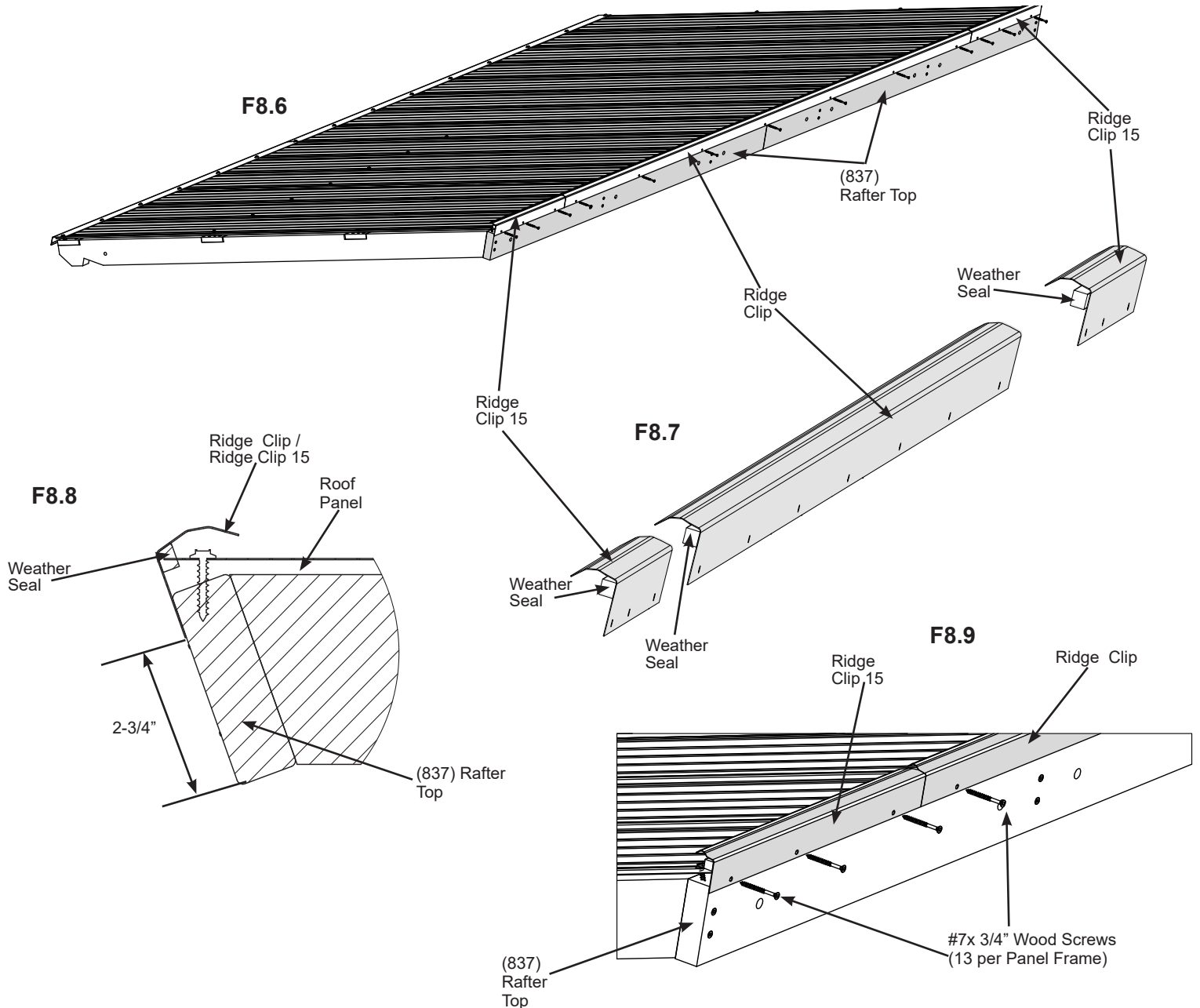
# Step 8: Attach Roof Panels Part 4



**G:** Place Weather Seal on the inside of two Ridge Clip 15 then place one Ridge Clip 15 flush to each side of Roof Panel Frame and 2-3/4" up from the bottom of (837) Rafter Top, make sure not to compress Weather Seal. Attach with three #7 x 3/4" Wood Screws per Ridge Clip 15. Ridge Clip 15s must cover the Roof Panels. (F8.6, F8.7, F8.8 and F8.9)

**H:** Place Weather Seal on the inside of one Ridge Clip then place Ridge Clip in between both Ridge Clip 15s, 2-3/4" up from the bottom of (837) Rafter Top. Ridge Clip must cover the Roof Panels. Do not compress Weather Seal. Attach with seven #7 x 3/4" Wood Screws. (F8.6, F8.7, F8.8 and F8.9)

**I:** Repeat Steps E - H for the second Roof Panel Frame.



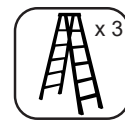
### Components

2 x Ridge Clip  
4 x Ridge Clip 15  
6 x Weather Seal

### Hardware

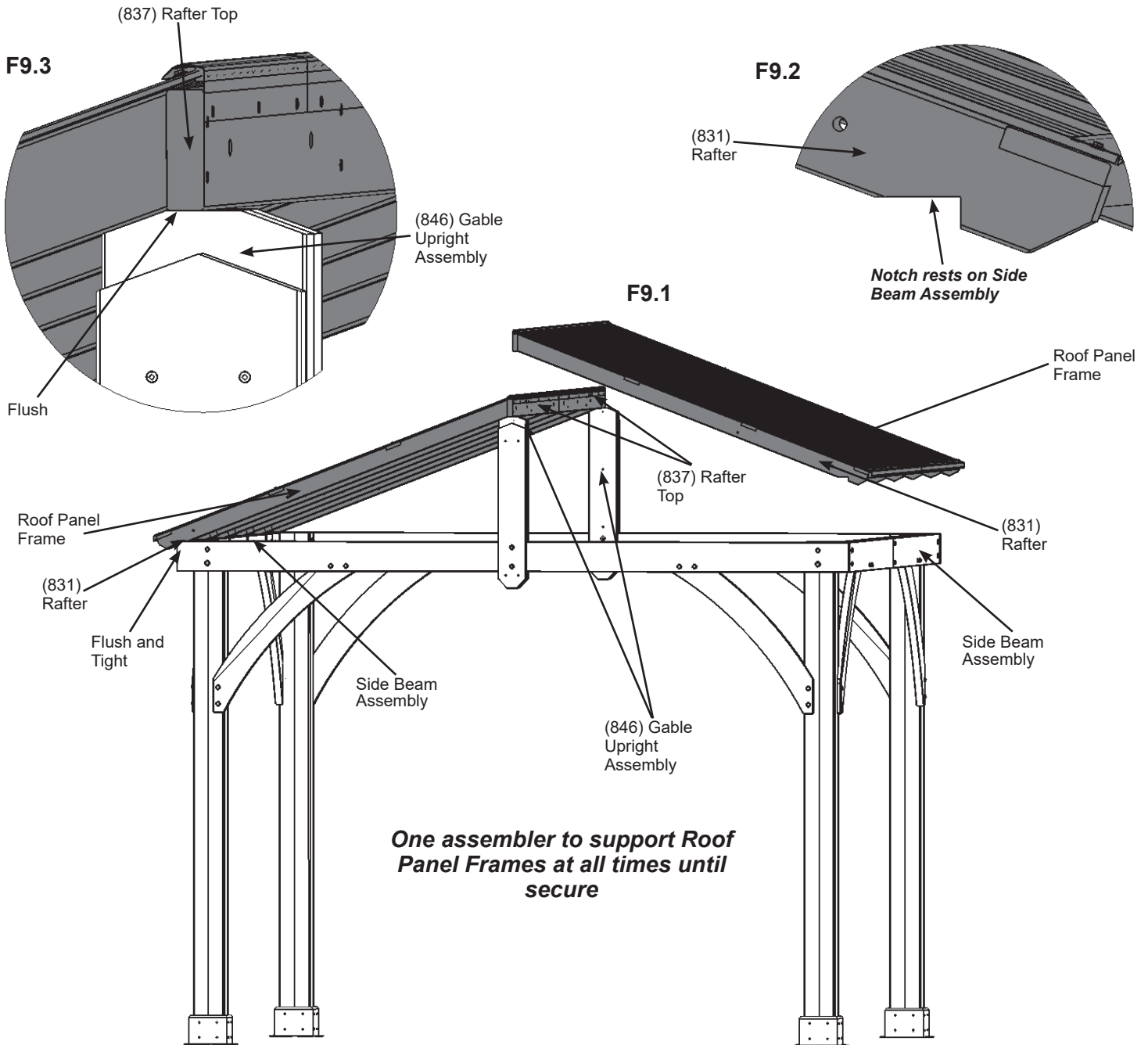
26 x #7 x 3/4" Wood Screw

# Step 9: Attach Roof Panels to Frame Part 1

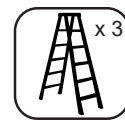


**A:** With four assemblers lift one Roof Panel Frame up and over Post and Beam Frame Assembly so the notches in (831) Rafters rest on Side Beam Assembly and (837) Rafter Tops are flush to the outside of each (846) Gable Upright Assembly. **One assembler must remain on a ladder to hold Roof Panel Frame in place until secured.** (F9.1, F9.2 and F9.3)

**B:** Lift the second Roof Panel Frame so the notches in (831) Rafters rest on Side Beam Assembly and (837) Rafter Tops are flush to the outside of each (846) Gable Upright Assembly and is tight to the first Roof Panel Frame. (F9.1, F9.2 and F9.3)

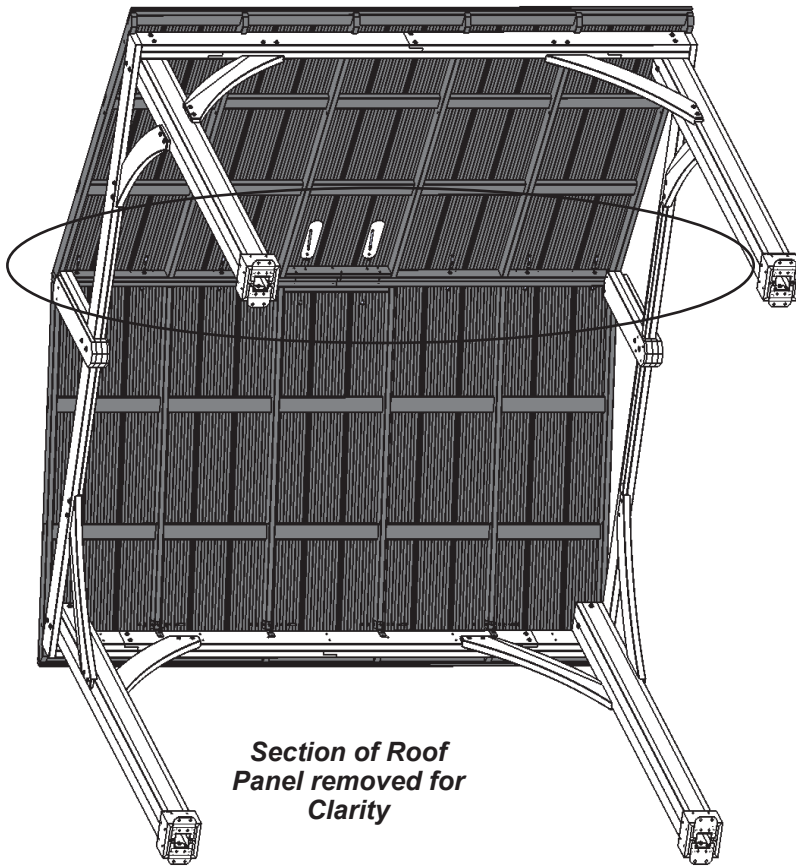


# Step 9: Attach Roof Panels to Frame Part 2



**C:** From inside the assembly attach the two Roof Panel Frames together through (838) Rafter Brace with two 1/4 x 4-3/4" Hex Bolts (with two 1/4-5/16" large washer and one 1/4" lock nut) and through (837) Rafter Tops with eight 1/4 x 2-3/4" Hex Bolt (with two 1/4-5/16" large washer and one 1/4" lock nut). (F9.4, F9.5, F9.6 and F9.7)

**F9.4**



*Section of Roof Panel removed for Clarity*

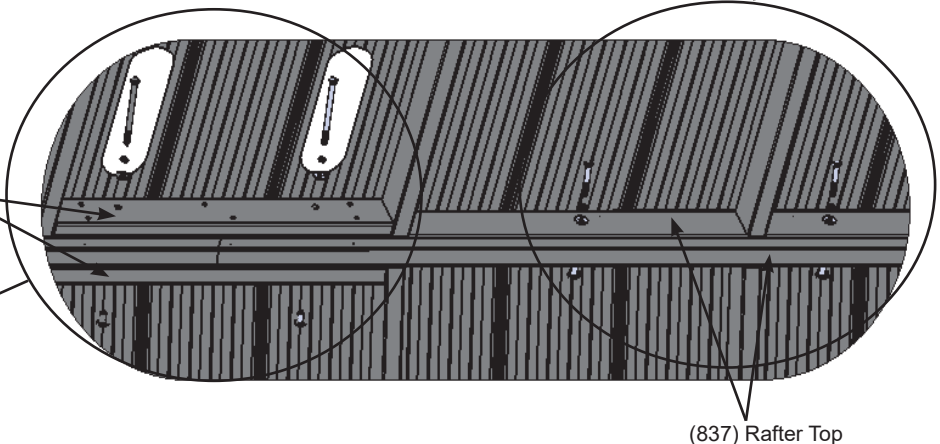
**F9.7**  
1/4 x 2-3/4" Hex Bolt

1/4 - 5/16" Large Washer

1/4" Lock Nut

(837) Rafter Top

**Fig. 9.5**



(837) Rafter Top

**F9.6**

1/4" Lock Nut

1/4 - 5/16" Large Washer

(838) Rafter Brace

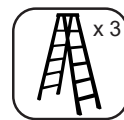
1/4 x 4-3/4" Hex Bolt

**Hardware**

2 x 1/4 x 4-3/4" Hex Bolt  
(1/4-5/16" large washer x 2, 1/4" lock nut)

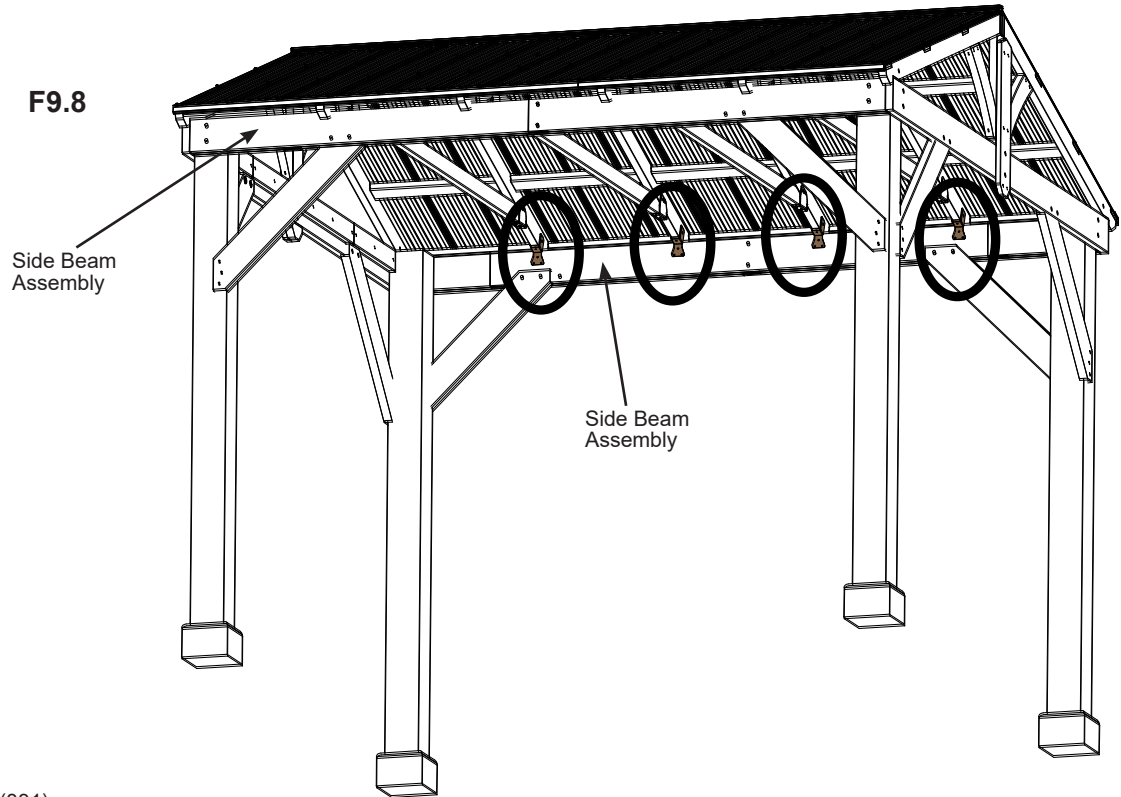
8 x 1/4 x 2-3/4" Hex Bolt  
(1/4-5/16" large washer x 2, 1/4" lock nut)

# Step 9: Attach Roof Panels to Frame Part 3

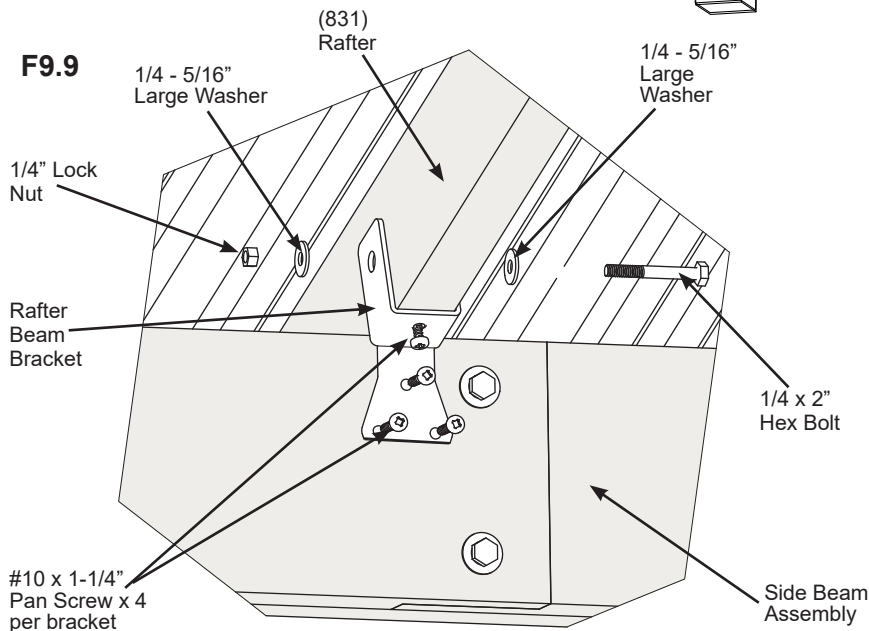


**D:** Loosely attach each of the centre (831) Rafters to the inside of each Side Beam Assembly with one Rafter Beam Bracket per (831) Rafter using one 1/4 x 2" Hex Bolt (with two 1/4-5/16" large washer and one 1/4" lock nut) per bracket. Push up on the centre of the Roof Panels so the notches in (831) Rafters are tight to the Side Beam Assembly then attach four #10 x 1-1/4" Pan Screws per bracket. Once screws are installed tighten bolts. (F9.8, F9.9 and F9.10)

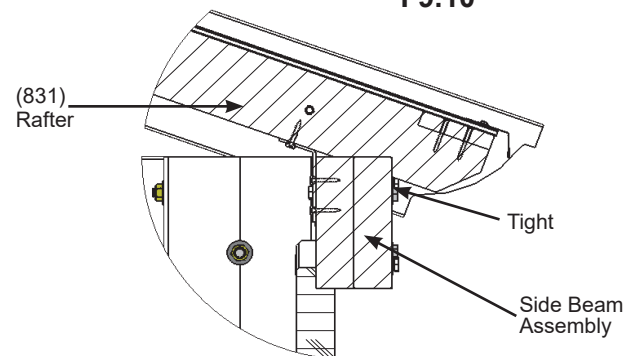
**F9.8**



**F9.9**



**F9.10**



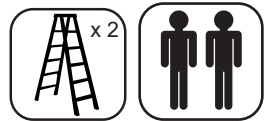
### Components

8 x Rafter Beam Bracket

### Hardware

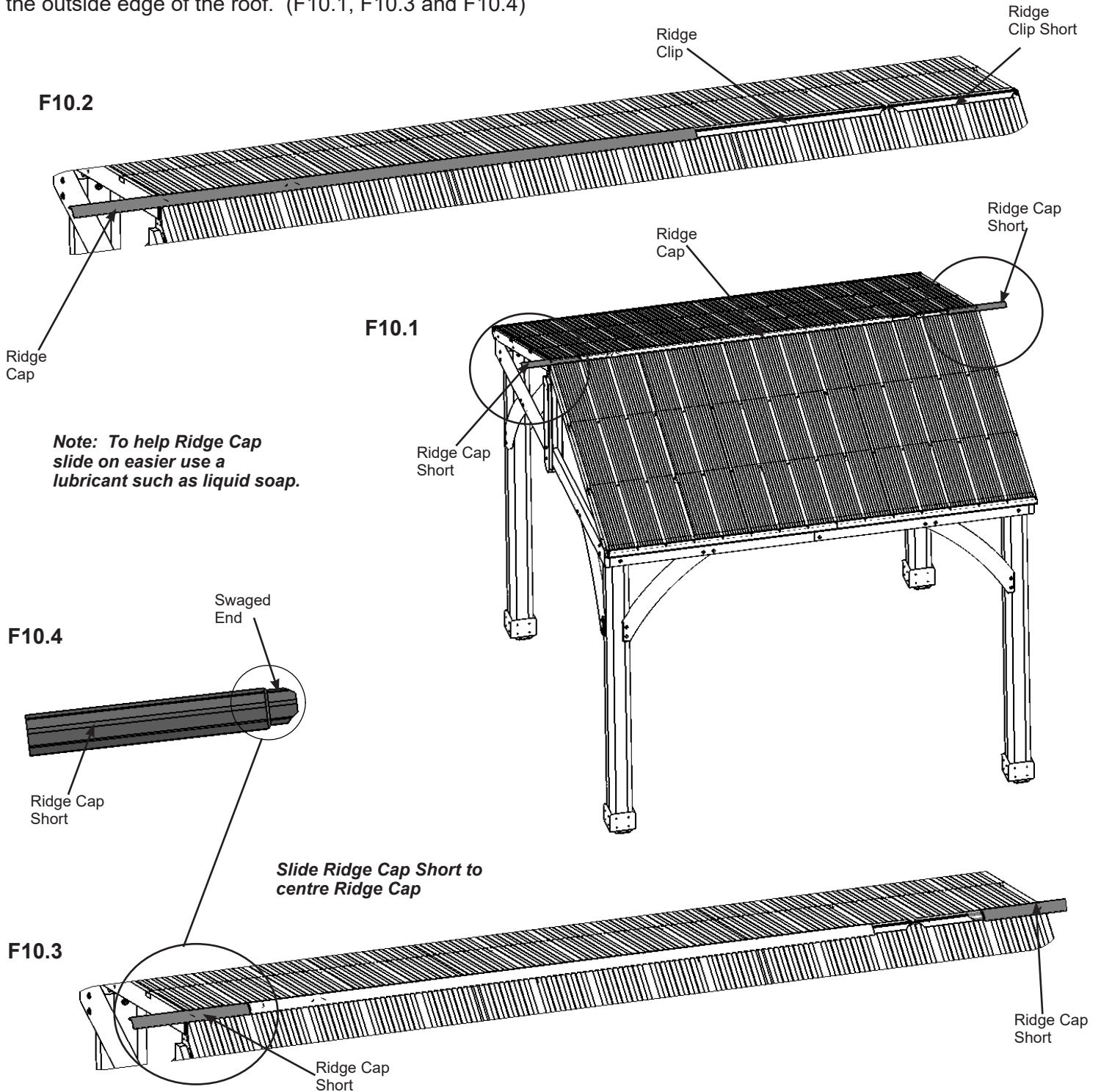
8 x 1/4 x 2" Hex Bolt (1/4-5/16" large washer x 2, 1/4" lock nut)  
32 x #10 x 1-1/4" Pan Screw

# Step 10: Attach Ridge Caps Part 1



**A:** Slide Ridge Cap over the Ridge Clips towards the centre of the roof. (F10.1 and F10.2)

**B:** With the swaged end facing in slide one Ridge Cap Short at each end of the roof over the Ridge Clips. Use the swaged end to help push the Ridge Cap to the centre of the roof. Each Ridge Cap Short should be flush to the outside edge of the roof. (F10.1, F10.3 and F10.4)

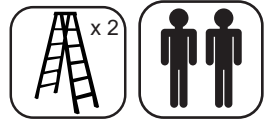


### Components:

- 1 x Ridge Cap
- 2 x Ridge Cap Short

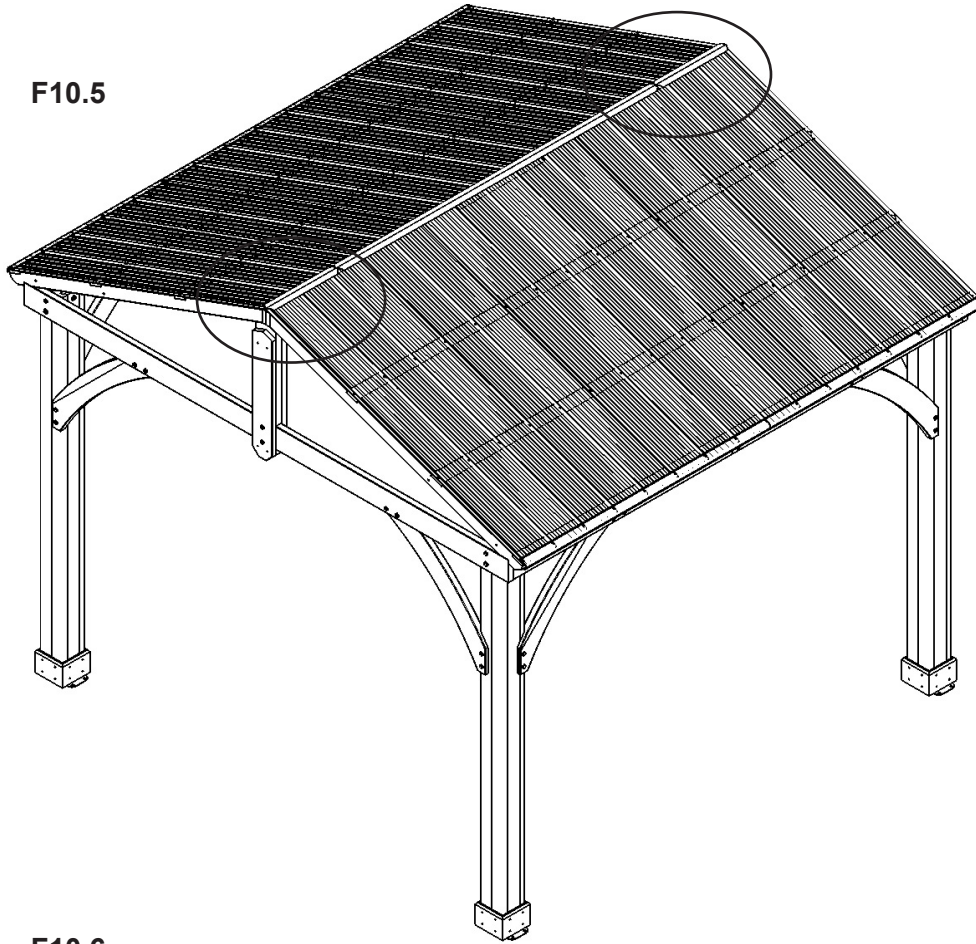


# Step 10: Attach Ridge Caps Part 2

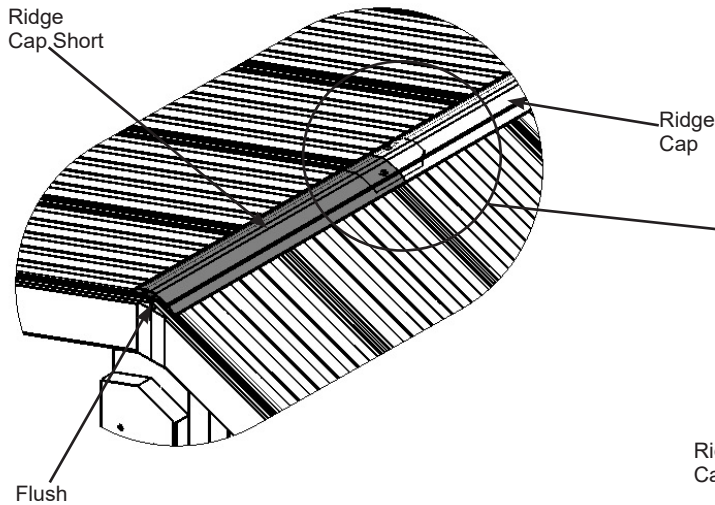


**C:** Make sure the Ridge Cap Shorts are flush to the outside edge of the roof then attach each end of the Ridge Cap to each Ridge Cap Short with two #8 x 3/4" Sheet Metal Screws per side. (F10.5, F10.6 and F10.7)

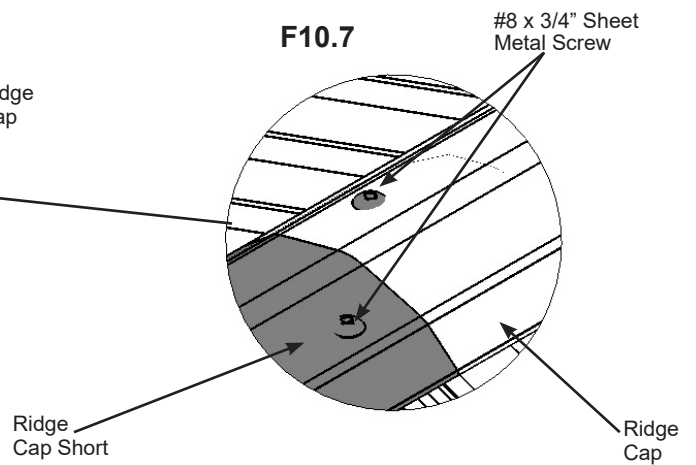
**F10.5**



**F10.6**



**F10.7**



### **Hardware**

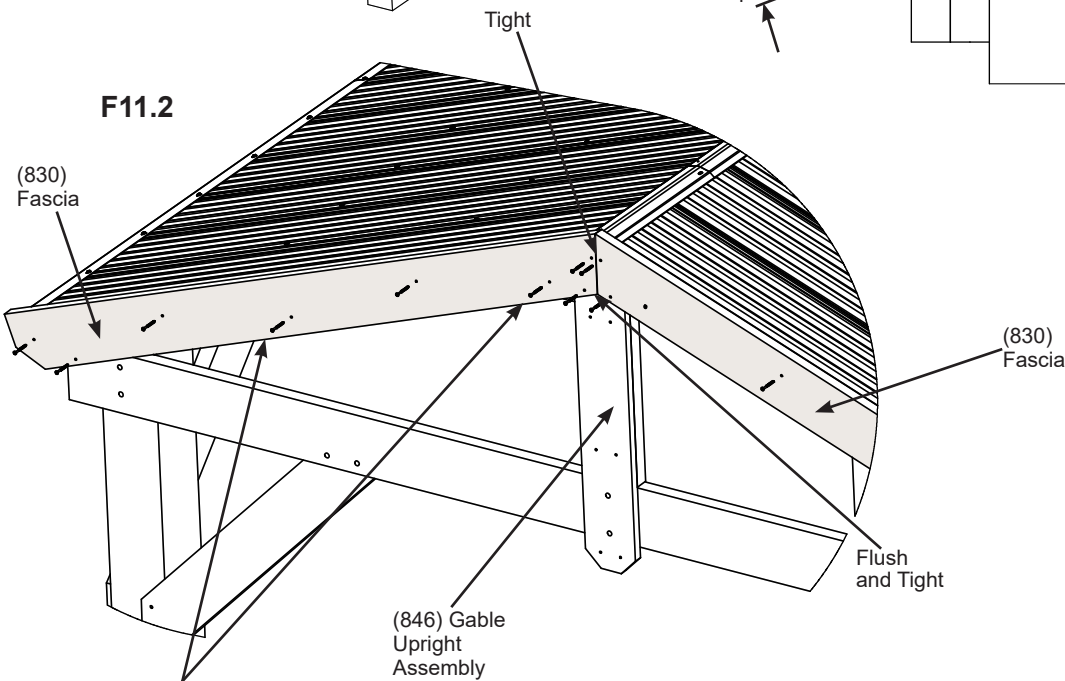
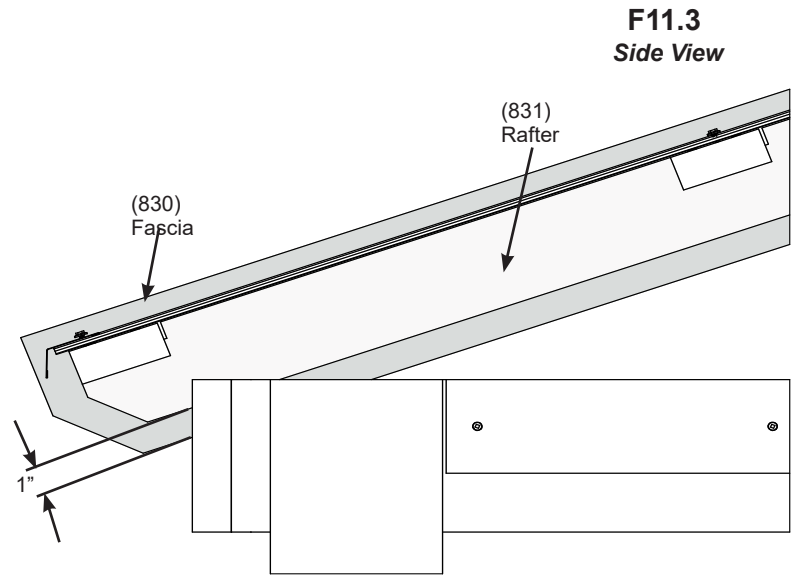
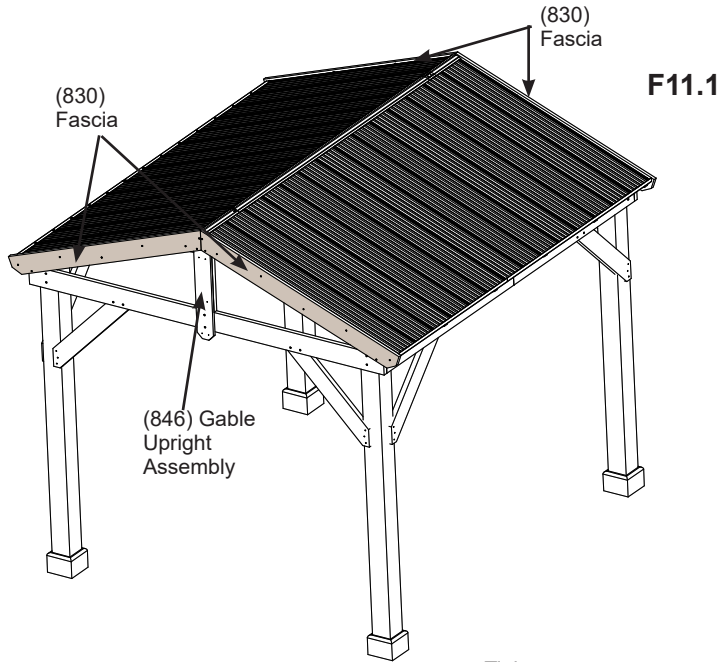
**4 x #8 x 3/4" Sheet Metal Screw**

# Step 11: Attach Gable Ends



**A:** On one side of the assembly place two (830) Fascia against the outside (831) Rafters so the peaks meet in the centre and they are tight and flush to the top and edge of (846) Gable Upright Assembly. Bottom of (830) Fascia to bottom of (831) Rafter should measure 1" all along each (830) Fascia. Attach with eight #8 x 1-3/4" Wood Screws per (830) Fascia. (F11.1, F11.2 and F11.3)

**B:** Repeat for the other side of the assembly.



#8 x 1-3/4" Wood Screws  
(8 per Fascia)

## Wood Parts

4 x (830) Fascia

## Hardware

32 x #8 x 1-3/4" Wood Screw

# Step 12: Attach Gable Gussets

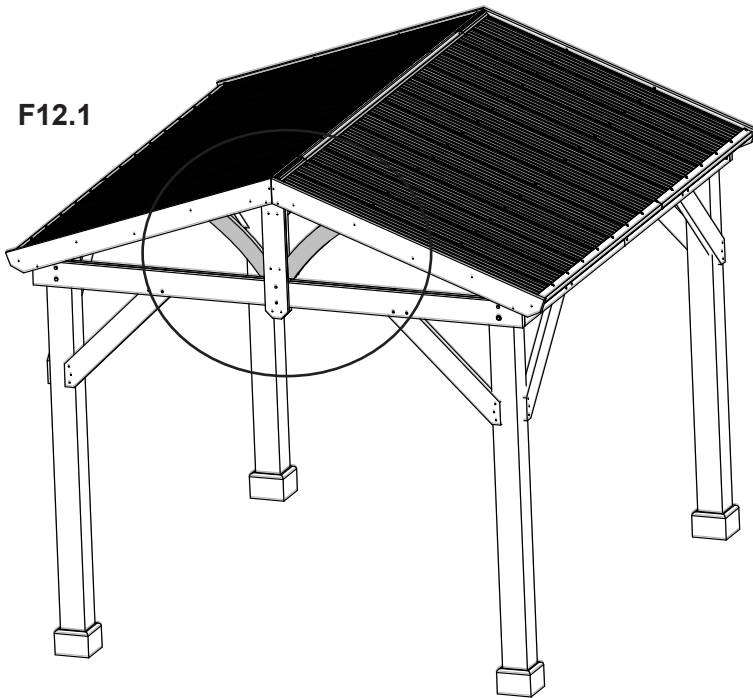


**A:** From inside the assembly place one (847) Gable Gusset tight to each side of (846) Gable Upright Assembly so it is resting on (830) Fascia, tight and flush to (831) Rafter. (F12.1 and F12.2)

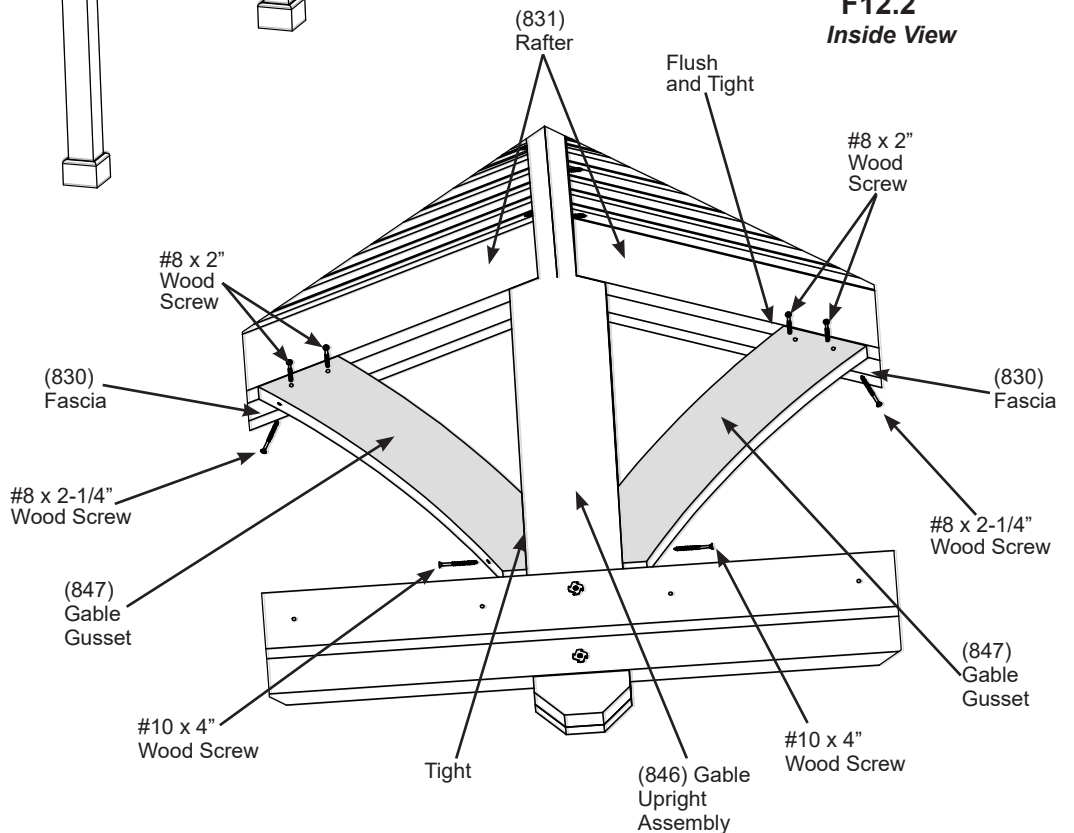
**B:** Attach each (847) Gable Gusset to (830) Fascia with two #8 x 2" Wood Screws per gusset and to (846) Gable Upright Assembly with one #10 x 4" Wood Screw per gusset. (F12.1 and F12.2)

**C:** Attach each (847) Gable Gusset to (831) Rafter with one #8 x 2-1/4" Wood Screw per gusset from the edge of the gusset into the rafter. (F12.1 and F12.2)

**F12.1**



**F12.2**  
*Inside View*



**Wood Parts**

4 x (847) Gable Gusset

**Hardware**

8 x #8 x 2" Wood Screw

4 x #8 x 2-1/4" Wood Screw

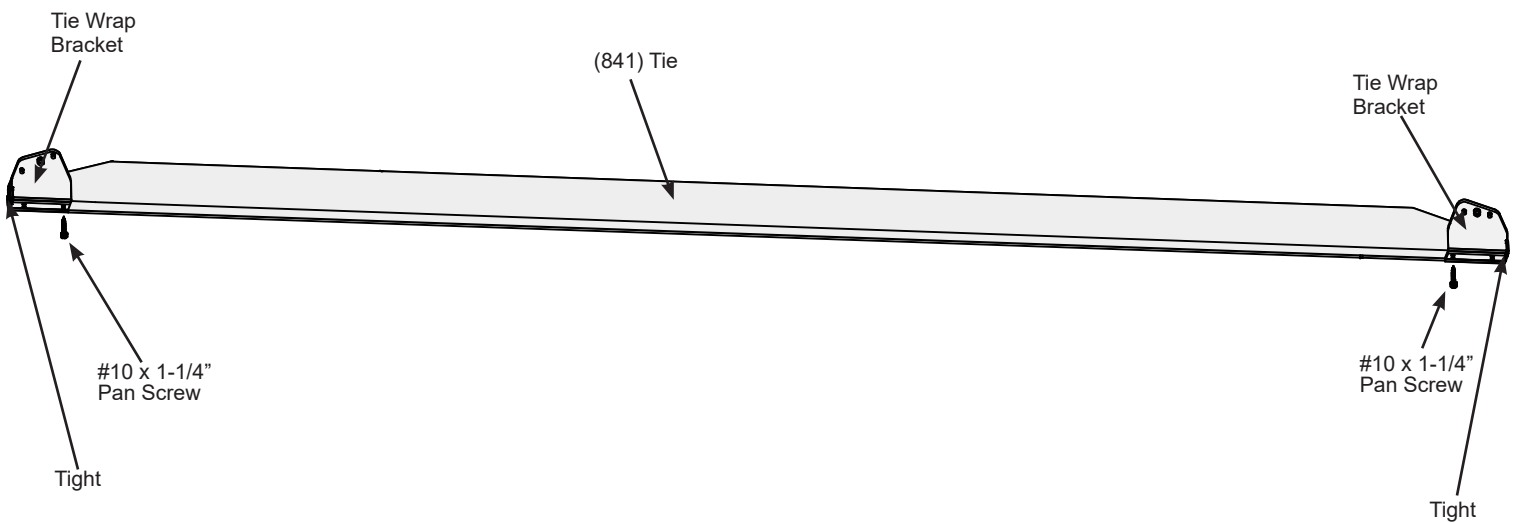
4 x #10 x 4" Wood Screw

# Step 13: Truss Assemblies

## Part 1

**A:** Attach one Tie Wrap Bracket to each end of one (841) Tie with one #10 x 1-1/4" Pan Screw per bracket using the inside holes. (841) Tie is tight to end of bracket. Repeat to complete 3 more times. (F13.1)

**F13.1**



**Wood Parts**

4 x (841) Tie

**Components:**

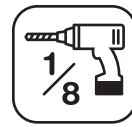
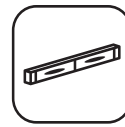
8 x Tie Wrap Bracket

**Hardware**

8 x #10 x 1-1/4" Pan Screw

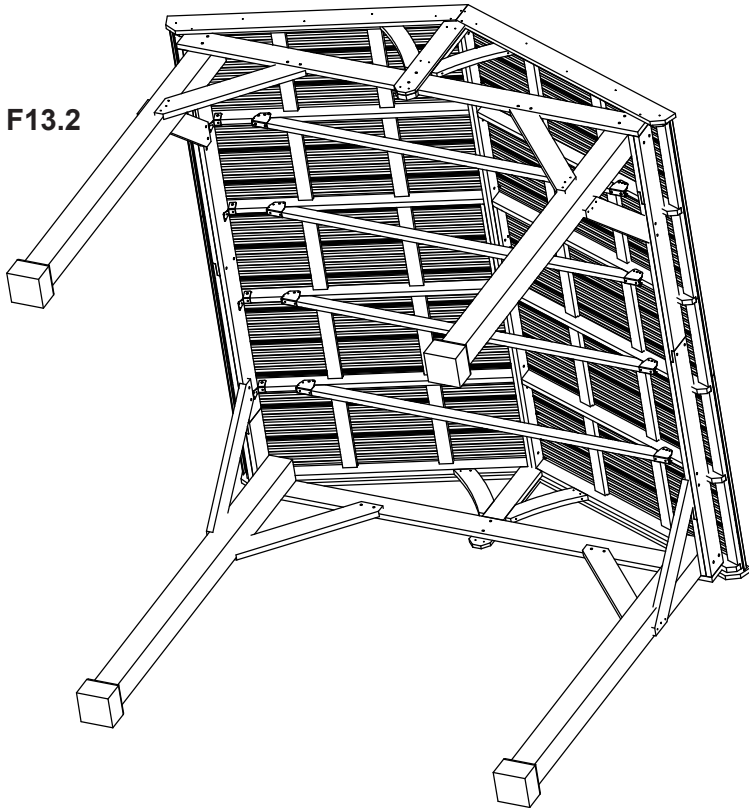
# Step 13: Truss Assemblies

## Part 2

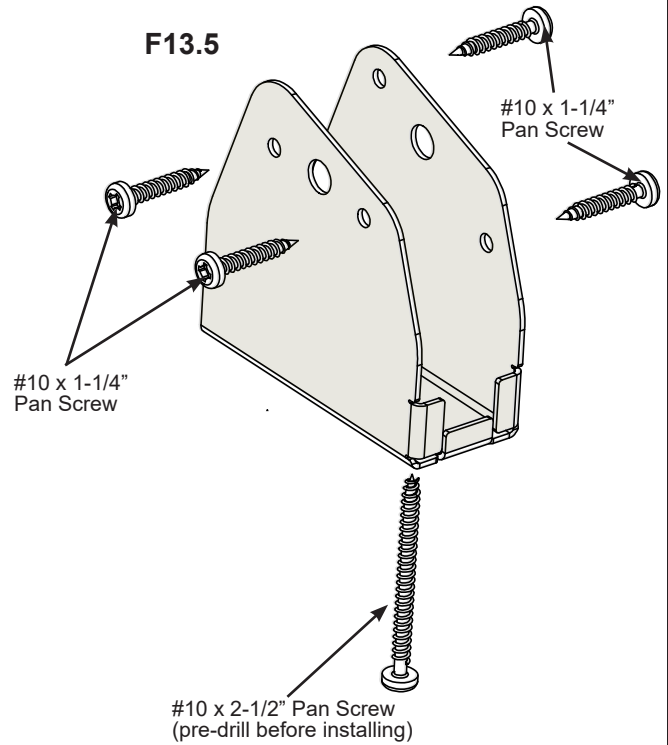


**B:** With a helper place (841) Ties with brackets tight against (831) Rafters. Make sure (841) Ties are level then attach Tie Wrap Brackets to (831) Rafters with two #10 x 1-1/4" Pan Screws on both sides of each bracket. (F13.2, F13.3, F13.4 and F13.5)

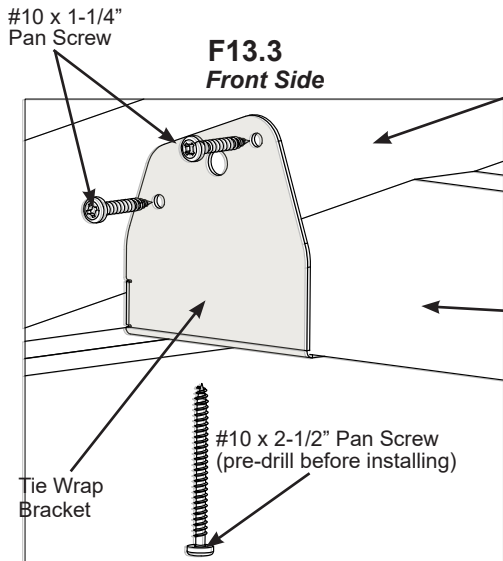
**C:** Pre-drill with a 1/8" drill bit and secure Tie Wrap Brackets to (841) Tie and (831) Rafter with one #10 x 2-1/2" Pan Screw per bracket. (F13.3, F13.4 and F13.5)



**F13.2**



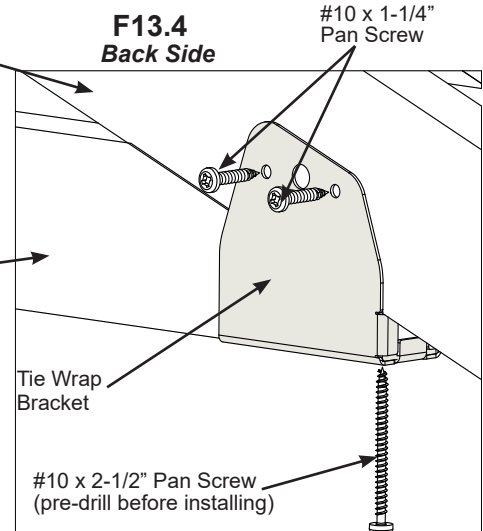
**F13.5**



**F13.3**  
**Front Side**

(831) Rafter

(841) Tie



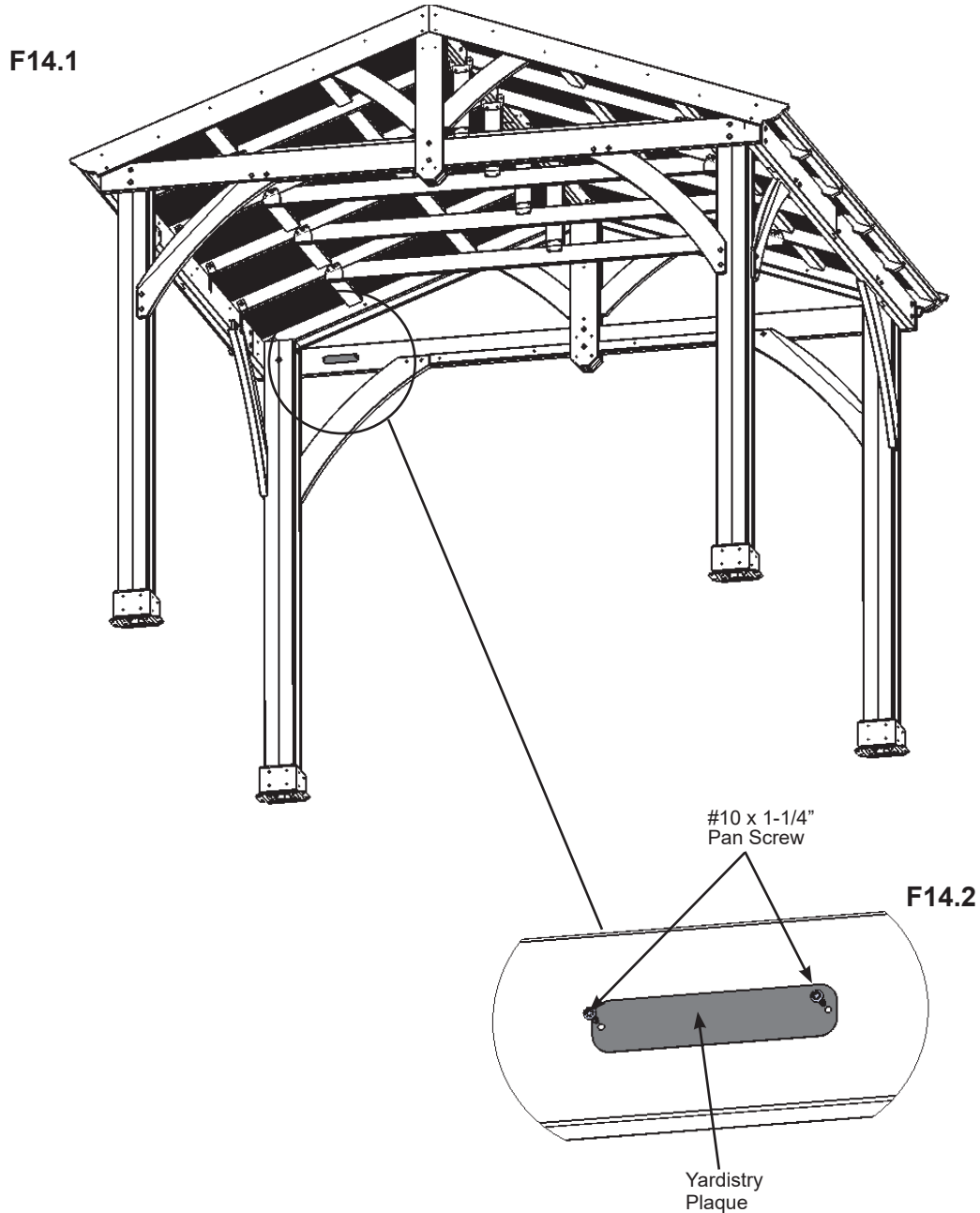
**F13.4**  
**Back Side**

### Hardware

- 32 x #10 x 1-1/4" Pan Screw
- 8 x #10 x 2-1/2" Pan Screw

## Step 14: Attach Plaque

**A:** Attach Yardistry Plaque to a prominent location on your Pavilion with two #10 x 1-1/4" Pan Screws. This provides warnings concerning safety and important contact information. A tracking number is provided to allow you to get critical information or order replacement parts for this specific model. (F14.1 and F14.2)



### Components:

1 x Yardistry Plaque

### Hardware

2 x #10 x 1-1/4" Pan Screw





## Customer Registration Card - Tarjeta de Registro del Cliente - Carte d'inscription du client

First Name - Primer Nombre - Prénom	Initial - Inicial - Initiale	Last Name - Apellido - Nom de famille

Street - Calle - Rue	PO Box - Casilla postal - Boîte postale	Apt. No. - App.

City - Ciudad - Ville	State/Province - Estado/Provincia - État/Province

ZIP/Postal Code - Código Postal - ZIP/Code postal	Country - País - Pays

E-mail Address - Dirección de E-mail - Adresse courriel	Telephone Number - No. de Teléfono - N° de téléphone

Model Name - Nombre del Modelo - Nom du modèle	Model Number (from front cover) - Número de Modelo (de la portada) - N° du modèle (page de couverture)

Date of Purchase - Fecha de Compra - Date d'achat (mm/dd/yyyy) (mm/dd/aaaa) (mm/jj/aaaa)	Place of Purchase - Comprado a - Lieu d'achat

Comments - Comentarios - Commentaires:

### Mail To - Enviar por Correo a - Envoyer par courrier à:

Yardistry  
375 Sligo Road West, PO Box 10  
Mount Forest, Ontario, Canada, N0G 2L0  
Attention: Consumer Relations  
Atención a: Servicio de Atención al Cliente  
À l'attention de: Service à la clientèle

### Online Registration - Registro online - Enregistrement en ligne:

[www.yardistrystructures.com/warranty](http://www.yardistrystructures.com/warranty)

Yardistry would like to say "Thank you" for your time and feedback.  
Yardistry quiere "Agradecerle" por su tiempo y su opinión.  
Yardistry aimerait vous remercier d'avoir pris le temps de répondre au sondage.



# 10' x 10' Mosquito Mesh Kit

Installation Instructions – YM11795

# Kit Mosquitero de 10' x 10'

Instrucciones de instalación – YM11795

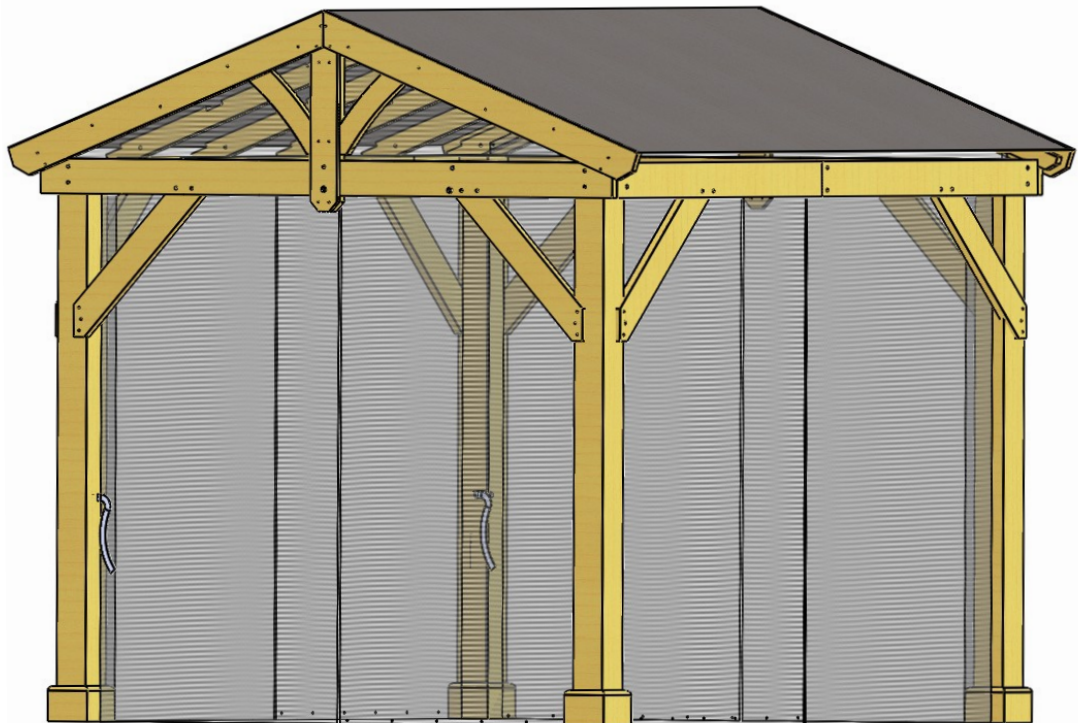
# Ensemble de moustiquaire 10' x 10'

Instructions d'installation – YM11795

For use with the  
YM11909 10 x 10  
Pavilion

Para usar con el  
Pavilion 10 x 10  
YM11909

Pour utilisation  
avec le Pavillon  
10 x 10 YM11909



02-26-2020

**YARDISTRY**<sup>®</sup>

Yardistry – North America  
Toll Free Customer Support: 1.888.509.4382  
info@yardistrystructures.com  
www.yardistrystructures.com

Yardistry – Norteamérica  
Línea gratuita de servicio al cliente: 1.888.509.4382  
info@yardistrystructures.com  
www.yardistrystructures.com

Yardistry – Amérique du Nord  
Service client sans frais: 1.888.509.4382  
info@yardistrystructures.com  
www.yardistrystructures.com



## Important Safety Notice!

Yardistry components are intended for outdoor privacy, decorative and ornamental use only. Not for commercial use.

### Product is NOT INTENDED for the following:

- A safety barrier to prevent unsupervised access to pools, hot tubs, spas or ponds.
- As load bearing support for a building, structure, heavy objects or swings.
- Used in structures that trap wind, rain or snow that would create extra load on the product.

**WARNING: Keep all flame and heat sources away from this netting fabric.** This netting meets the flammability requirements of CPAI-84. The fabric may burn if left in continuous contact with any flame source. The application of any foreign substance to the netting fabric may render the flame-resistant properties ineffective.

**Netting will burn.** Grills, fire pits and chimineas are a fire hazard if placed too close to a Yardistry structure. Consult user's manual of the grill, fire pit or chimenea for safe distances from combustible materials.

**During installation, follow all safety warnings provided with your tools and use approved safety glasses.** Some structures may require two or more people to install safely.



## ¡Nota importante de seguridad!

Los componentes Yardistry están hechos para brindar exterior privacidad y usarse de forma decorativa y ornamental. No para un uso comercial.

### El producto NO TIENE COMO PROPÓSITO lo siguiente:

- Ser usado como barrera de seguridad para evitar el acceso no supervisado a piscinas, jacuzzis, spas o estanques.
- Ser usado como soporte para un edificio, estructura, objetos pesados o columpios..
- Ser usado en lugares donde haya acumulación de viento, lluvia o nieve que genere una carga adicional al producto.

**ADVERTENCIA: MANTENGA TODAS LAS LLAMAS Y FUENTES DE CALOR ALEJADAS DEL TEJIDO MOSQUITERO.** Este mosquitero cumple con los requisitos de inflamabilidad CPAI-84. El tejido puede quemarse si se deja en contacto continuo con una fuente de fuego. La aplicación de una sustancia extraña al mosquitero puede hacer que sus características de resistencia a la llama sean ineficaces.

**El mosquitero se prende fuego.** Las parrillas, fosas para fogatas y chimeneas son un peligro de incendio si se colocan muy cerca de una estructura Yardistry. Consulte en el manual del usuario de la parrilla, fosa para fogata o chimenea las distancias seguras de materiales inflamables.

**Durante el montaje, siga todas las advertencias de seguridad proporcionadas con sus herramientas y use gafas de seguridad aprobadas.** Algunas estructuras pueden requerir de dos o más personas para un montaje seguro.

## Avis important de sécurité!

Les composantes Yardistry sont conçues uniquement pour des fins extérieures d'intimité, de décoration et d'ornementation. Pas pour un usage commercial.

### **Le produit N'EST PAS CONÇU pour les usages suivants:**

- Barrière de sécurité pour empêcher l'accès à des piscines, spas ou étangs.
- Support structural pour bâtiment, structure, objet lourd ou balançoire.
- Utilisation en tant que structure brise-vent, ou servant à accumuler la pluie ou la neige, ce qui créerait une charge supplémentaire sur le produit.

**AVERTISSEMENT : TENEZ TOUTES FLAMMES ET SOURCES DE CHALEUR ÉLOIGNÉES DU TISSU MOUSTIQUAIRE.** Cette moustiquaire répond aux exigences d'inflammabilité CPAI-84. Le tissu peut brûler s'il est laissé en contact continu avec une source de feu. L'application d'une substance étrangère sur le tissu moustiquaire peut rendre inefficace ses caractéristiques de résistance aux flammes.

**La moustiquaire peut s'enflammer.** Les barbecues, foyers extérieurs et cheminées représentent un risque d'incendie s'ils sont situés trop près de la structure Yardistry. Consultez le manuel d'utilisation du barbecue, foyer extérieur ou de la cheminée pour connaître les distances sécuritaires pour les matériaux combustibles.

**Lors de l'installation, respectez toutes les normes de sécurité de vos outils et portez des lunettes de protection certifiées.** Certaines structures pourraient nécessiter l'aide de deux personnes ou plus pour une installation sécuritaire.

## Instructions for Proper Maintenance

Your Yardistry structure is designed and constructed of quality materials. As with all outdoor products it will weather and wear. To maximize the enjoyment, safety and life of your structure it is important that you, the owner, properly maintain it.

### HARDWARE:

- Check metal parts for rust. If found, sand and repaint using a non-lead paint complying with 16 CFR 1303.
- Inspect and tighten all hardware after completion of assembly; after first month of use; and then annually. Do not over-tighten as to cause crushing and splintering of wood.
- Check for sharp edges or protruding screw threads, add washers if required.

### Tools Required:

- Step Ladder
- Standard or Cordless Drill
- Safety Glasses
- Tape Measure

**If you dispose of your Yardistry structure:** Please disassemble and dispose of your unit so that it does not create any unreasonable hazards at the time it is discarded. Be sure to follow your local waste ordinances.

## Instrucciones para el mantenimiento correcto

Su estructura Yardistry está diseñada y construida con materiales de calidad. Como todos los productos para exteriores se erosiona y desgasta. Para maximizar el placer, seguridad y vida útil de su estructura es importante que usted, el dueño, le dé el mantenimiento apropiado.

### TORNILLOS Y ACCESORIOS::

- Revise si están oxidadas las partes metálicas. Si se encuentra alguna, líjela y vuélvala a pintar usando pintura sin plomo que cumpla con el 16 CFR 1303.
- Inspeccione y ajuste todos los tornillos y accesorios al finalizar el montaje; después del primer mes de uso; y luego, anualmente. No ajuste los tornillos de más ya que puede romper y astillar la madera.
- Verifique si hay bordes filosos o tornillos sobresalidos, agregue arandelas si es necesario.

### Herramientas requeridas:

- Escalera
- Taladro estándar o sin cable
- Gafas de seguridad
- Cinta métrica

**Si se deshace de su estructura Yardistry:** Por favor desarme y deshágase de su unidad de manera de no generar riesgos innecesarios el momento de desecharla. Asegúrese de cumplir con las ordenanzas locales de eliminación.

## Instructions pour un entretien adéquat

Votre structure Yardistry est conçue et fabriquée à l'aide de matériaux de qualité. Comme pour tous les produits d'extérieur, elle sera soumise au climat et à l'usure. Afin de maximiser l'utilisation, la sécurité et la durée de vie de votre structure, il est important que vous l'entretenez adéquatement.

### QUINCAILLERIE:

- Assurez-vous qu'aucune rouille n'est présente. Si c'est le cas, sablez et repeignez à l'aide de peinture sans plomb respectant la norme 16 CFR 1303.
- Inspectez et resserrez toute la quincaillerie après l'assemblage; après le premier mois d'usage; et ensuite annuellement. Ne pas trop serrer afin de ne pas écraser ou fendiller le bois.
- Assurez-vous qu'aucune bordure coupante ou filet de vis ne dépasse, ajoutez des rondelles si nécessaire.

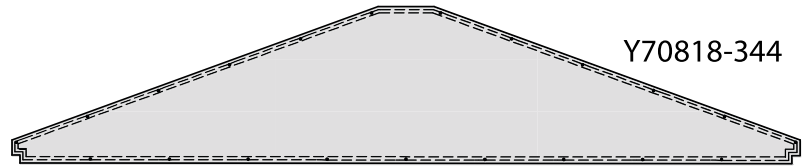
### Outils nécessaires:

- Échelle
- Perceuse standard ou sans fil
- Lunettes de sécurité
- Ruban à mesurer

**Si vous jetez une structure Yardistry:** Veuillez démonter et jeter l'unité de façon à ne pas créer de risque excessif au moment de l'élimination. Assurez-vous de respecter vos normes locales de mise aux rebuts.

# Part Identification - Identificación de las piezas - Identification des pièces

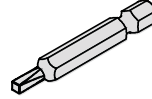
- Y70818-258 (2)** - Insect Panel (2 pack)  
 - Panel Mosquitero (paquete de 2)  
 - Panneau pour insecte (pqt de 2)



**Y70818-344**

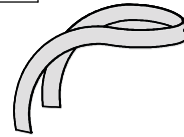
- (1)** - Gable Mesh 2- Pack  
 - Pantalla de Gablete (paquete de 2)  
 - Moustiquaire de pignon (pqt de 2)

**D4** Y00400-005



- (1)** - #2 x 2" Robertson Bit  
 - Mecha Robertson No.2 x 2"  
 - Mèche Robertson #2 x 2"

**036** Y20118-036



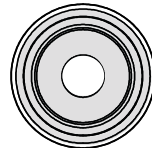
- (4)** - Tie Back Ribbon 1" x 35"  
 - Lazo de sujeción de 1" x 35"  
 - Ruban d'attache arrière 1" x 35"

**Y70892-908**



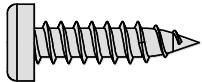
- (1)** - Male Snap w. Screw (8 Pack)  
 - Broche macho c/tornillo (paquete de 8)  
 - Fixation mâle avec vis (pqt de 8)

**SB** Y09991-600



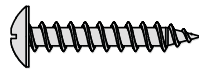
- (24)** - #12 Screw Bezel  
 - Bisel para tornillo No.12  
 - Vis à collerette #12

**S6** Y06491-610

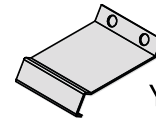


- (64)** - #12 x 1" Pan Screw  
 - Tornillo de cabeza plana No.12 x 1"  
 - Vis à tête cylindrique #12 x 1"

**S0** Y06491-505



- (42)** - #8 x 7/8" Truss Screw  
 - Tornillo de cabeza #8 x 7/8"  
 - Vis à tête bombée #8 7/8"



**Y70818-176**

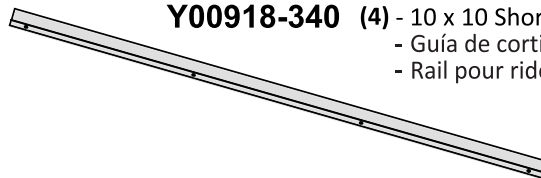
- (1)** - Curtain Track Gusset (4 Pack)  
 - Refuerzo de guía de cortina (Paquete de 4)  
 - Gousset de rail pour rideaux (Pqt. de 4)

**S3** Y06091-522



- (8)** - #8 x 2-1/2" Wood Screw  
 - Tornillo para madera No.8 x 2-1/2"  
 - Vis à bois #8 x 2-1/2"

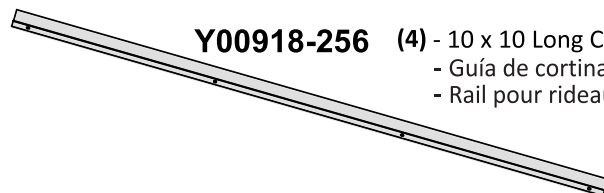
**Y00918-340 (4)** - 10 x 10 Short Curtain Track 46 1/4"  
 - Guía de cortina 10 x 10 Corta  
 - Rail pour rideaux 10 x 10 court



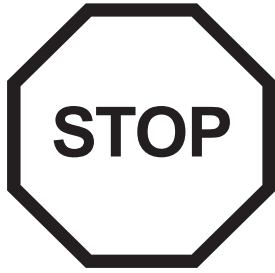
**Y70818-259**

- (1)** - Curtain Hanger (50 Pack)  
 - Gancho de Cortina (Paquete de 50)  
 - Support à rideaux (Pqt. de 50)

**Y00918-256 (4)** - 10 x 10 Long Curtain Track  
 - Guía de cortina 10 x 10 Larga  
 - Rail pour rideaux 10 x 10 long



# Step 1: Inventory Parts - Paso 1: Piezas del inventario - Étape 1 : Inventaire des pièces



**A.** This is the time for you to inventory all your hardware and components referencing the parts identification sheets. This will assist you with your assembly.

- Each step indicates what you will need for assembly.

**B.** If there are any missing or damaged pieces or you need assistance with assembly please contact the consumer relations department directly. Call us before going back to the store.

**C.** Read the assembly manual completely, following the instructions in order.

**A.** Este es el momento en que debe hacer el inventario de todos los tornillos y accesorios consultando las hojas de identificación de piezas. Esto lo ayudará en el montaje.

- Cada paso indica los pernos y/o tornillos que necesitará para el montaje.

**B.** Si hay alguna pieza que falte o esté dañada, o si necesita ayuda con el montaje, por favor contáctese directamente con el departamento de atención al cliente. Llámenos antes de regresar a la tienda.

**C.** Lea todo el manual de instalación. Siga las instrucciones en orden.

**A.** Il est temps pour vous de faire l'inventaire de toute la quincaillerie et des accessoires présentés sur les pages d'identification. Cela vous facilitera la tâche d'assemblage.

- Chaque étape indique ce dont vous avez besoin pour l'assemblage.

**B.** Si des pièces sont manquantes ou endommagées, ou si vous avez besoin d'assistance pour l'assemblage, contactez le département des relations avec la clientèle directement. Appelez-nous avant de retourner en magasin

**C.** Lisez la totalité du manuel d'assemblage. Suivez les instructions dans l'ordre.

Yardistry – North America  
Toll Free Customer Support: 1.888.509.4382  
support@yardistrystructures.com  
Monday - Friday 8:30 a.m. - 5:00 p.m. EST  
English and French Operators

Yardistry – Norteamérica  
Línea gratuita de servicio al cliente: 1.888.509.4382  
support@yardistrystructures.com  
Lunes - Viernes 8:30 a.m. - 5:00 p.m. EST  
Operadores ingleses y franceses

Yardistry – Amérique du Nord  
Service client sans frais: 1.888.509.4382  
support@yardistrystructures.com  
Lundi - Vendredi 8:30 a.m. - 5:00 p.m. EST  
Opérateurs anglais et français

**YM11795**

CARTON I.D. STAMP: / No. ID DE LA CAJA: / IDENTIFIANT DE BOÎTE:

— — — — —

**Step 2: Install Gable Mesh - Paso 2: instalación de los Mosquiteros de Gablete**  
**- Étape 2 : Installation des moustiquaires de pignon**



**A:** From inside the assembly place 1 Gable Mesh in one Gable opening, make sure it is tight and covers the opening completely then attach to (831) Rafters and top of Gable Beam Assembly with 21 (S0) Truss Screws through grommets. (F2.1 and F2.2)

**B:** Repeat Step A for second Gable opening.

**A:** Desde el interior del ensamble, coloque 1 pantalla de gablete en una abertura del gablete, asegúrese que esté apretada y cubra la abertura completamente, y fijela a las viguetas (831) y la parte superior del ensamble de gablete con 21 tornillos de cabeza (S0) a través de los ojales. (F2.1 y F2.2)

**B:** Repita el paso A para la segunda abertura del gablete.

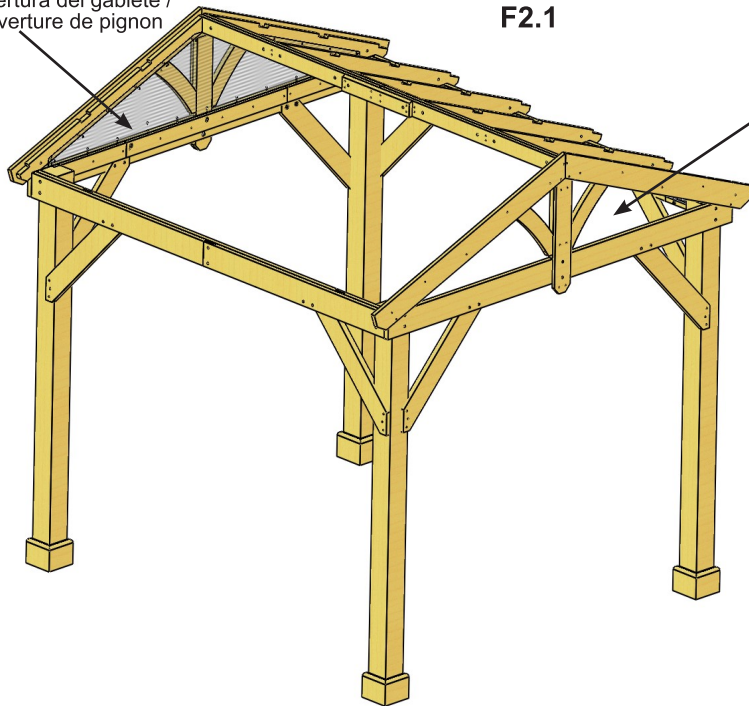
**A:** Depuis l'intérieur de l'assemblage placez 1 moustiquaire de pignon dans une ouverture de pignon, assurez-vous qu'elle soit ajustée et recouvre l'ouverture complètement puis fixez aux chevrons (831) et sur le haut de l'assemblage du pignon avec 21 vis à tête bombée (S0) à travers les œillets (F2.1 et F2.2)

**B:** Répétez l'étape A pour l'autre ouverture de pignon.

Gable Opening /  
Abertura del gablete /  
Ouverture de pignon

**F2.1**

Gable Opening /  
Abertura del gablete /  
Ouverture de pignon



**F2.2**

**Inside View /  
Vista interior /  
Vue intérieure**

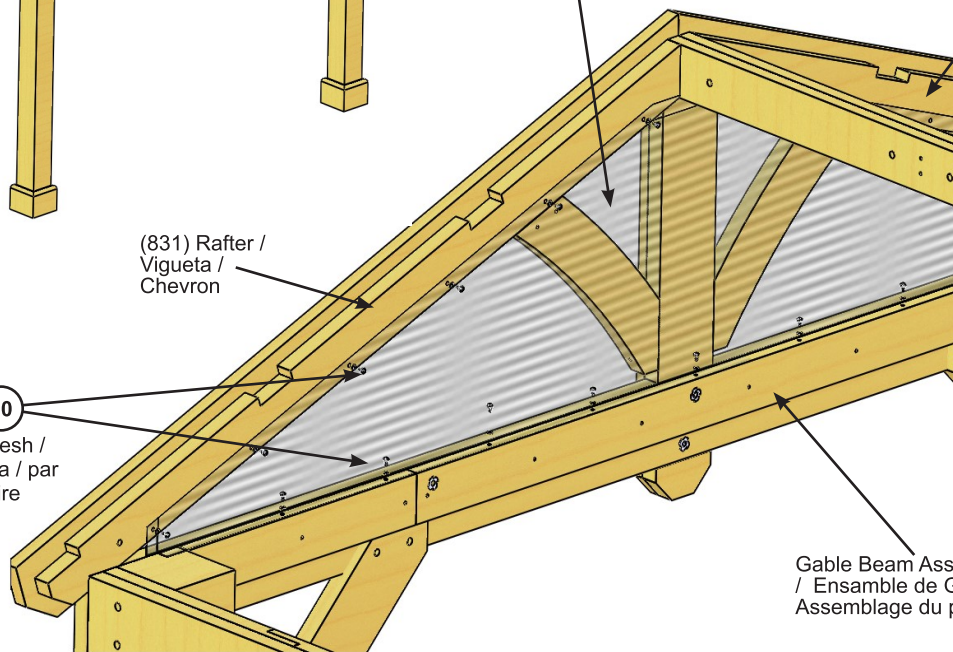
Gable Mesh /  
Pantalla de  
Gablete /  
Moustiquaire de  
pignon

(831) Rafter /  
Vigueta /  
Chevron

(831) Rafter /  
Vigueta /  
Chevron

(S0)

x 21 per mesh /  
por pantalla / par  
moustiquaire



Gable Beam Assembly /  
Ensamble de Gablete /  
Assemblage du pignon

**Components / Componentes / Composants**

2 x Gable Mesh / Pantalla de Gablete / Moustiquaire de pignon

**Hardware / Tornillos y accesorios / Quincaillerie**

42 x (S0) #8 x 7/8"



**Step 3: Attach Short Curtain Tracks, Gable Beam - Paso 3: Fijación de las guías de cortina corta, viga del gablete - Étape 3 : Fixation des rails pour rideaux courts, poutre de pignon**



**Instructions - Instrucciones - Instructions**

**A:** From the inside the assembly find the centre of one Gable Beam Assembly then place one 10 x 10 Short Curtain Track at centre mark, 2" up from bottom of the beam, tight to the top of the gusset. Attach each 10 x 10 Short Curtain Track to Gable Beam Assembly with 4 (S6) Pan Screws. (F3.1, F3.2 and F3.3)

**B:** In the channel which is furthest from the beam, slide 12 Curtain Hangers in 10 x 10 Short Curtain Track. Hangers should be able to slide easily and are able to turn. (F3.2)

**C:** Tight to the first 10 x 10 Short Curtain Track and tight to the top of the gusset place a second 10 x 10 Short Curtain Track then attach to Gable Beam Assembly with 4 (S6) Pan Screws. Curtain Hangers should be able to slide freely between both tracks. (F3.1, F3.2 and F3.4)

**D:** Repeat Steps A - C for the other Gable Beam Assembly.

**A:** Desde el interior del ensamble coloque una guía de cortina 10 x 10 corta contra uno ensamble de gablete, 2" de la base de la viga, apretada a la parte superior del refuerzo. Fije cada guía de cortina 10 x 10 corta al ensamble de gablete con 4 tornillos de cabeza plana (S6). (F3.1, F3.2 y F3.3)

**B:** En el canal más alejado de la viga, deslice 12 ganchos de cortina en la guía de cortina 10 x 10 corta. Los ganchos deben poder deslizarce y girar fácilmente. (F3.2)

**C:** Apretada a la primera guía de cortina 10 x 10 corta y apretada a la parte superior del refuerzo, coloque una segunda guía de cortina 10 x 10 corta y fije al ensamble de gablete con 4 tornillos de cabeza plana (S6). Los ganchos de cortina deben deslizarce fácilmente entre ambas guías. (F3.1, F3.2 y F3.4)

**D:** Repita los pasos A-C para el otro ensamble de gablete.

**A:** De l'intérieur de l'assemblage placez un rail pour rideaux 10 x 10 court contre un assemblage du pignon, 2" vers le haut depuis le bas de la poutre, serré sur le haut du gousset. Fixez chaque rail pour rideaux 10 x 10 court à l'assemblage du pignon avec 4 vis à tête cylindrique (S6). (F3.1, F3.2 et F3.3)

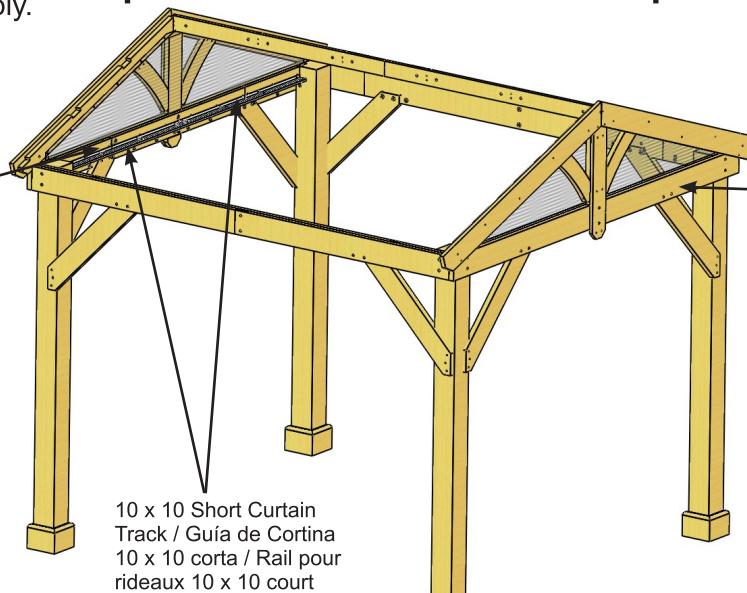
**B:** Dans le sillon le plus loin de la poutre, glissez 12 supports à rideaux dans le rail pour rideaux 10 x 10 court. Les supports devraient glisser aisément et être en mesure de tourner. (F3.2)

**C:** Serré au premier rail pour rideaux 10 x 10 court et serré sur le haut du gousset placez un deuxième rail pour rideaux 10 x 10 court puis fixez à l'assemblage du pignon avec 4 vis à tête cylindrique (S6). Les supports à rideaux devraient glisser aisément entre les deux rails. (F3.1, F3.2 et F3.4)

**D:** Répétez les étapes A-C pour l'autre assemblage du pignon.

**F3.1**

Gable Beam Assembly / Ensemble de Gablete / Assemblage du pignon



Gable Beam Assembly / Ensemble de Gablete / Assemblage du pignon

10 x 10 Short Curtain Track / Guía de Cortina 10 x 10 corta / Rail pour rideaux 10 x 10 court

**Components / Componentes / Composants**

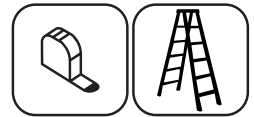
4 x 10 x 10 Short Curtain Track / Guía de Cortina 10 x 10 corta / Rail pour rideaux 10 x 10 court

**Hardware / Tornillos y accesorios / Quincaillerie**

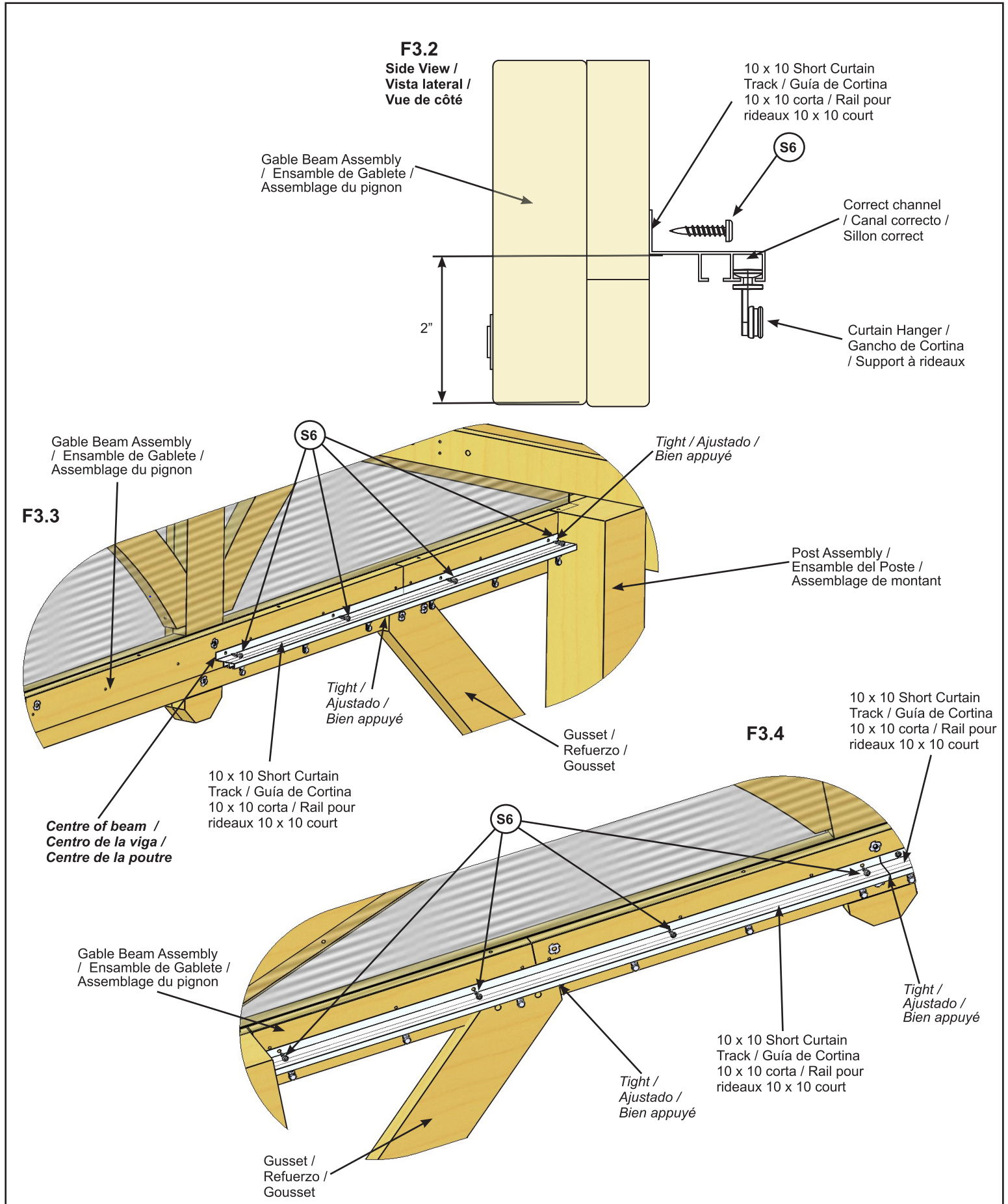
16 x (S6) #12 x 1"

24 x Curtain Hangers / Ganchos de cortina / Supports à rideaux

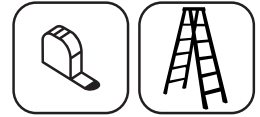
**Step 3: Attach Short Curtain Tracks, Gable Beam - Paso 3: Fijación de las guías de cortina corta, viga del gablete - Étape 3 : Fixation des rails pour rideaux courts, poutre de pignon**



Images - Fotos - Images



**Step 4: Attach Curtain Track, Side Beam - Paso 4: Fijación de las guías de cortina, Viga Lateral - Étape 4 : Fixation des rails pour rideau, Poutre latérale**



**Instructions - Instrucciones - Instructions**

**A:** From the inside the assembly find the centre of one Side Beam Assembly then place one 10 x 10 Long Curtain Track against at centre mark, 2" up from bottom of the beam, tight to the top of the gusset. Attach each 10 x 10 Long Curtain Track to Side Beam Assembly with 4 (S6) Pan Screws. (F4.1, F4.2 and F4.3)

**B:** In the channel which is furthest from the beam, slide 12 Curtain Hangers in the 10 x 10 Long Curtain Track. Hangers should be able to slide easily and are able to turn. (F4.2)

**C:** Tight to 10 x 10 Long Curtain Track and tight to the top of the gusset place a second 10 x 10 Long Curtain Track then attach to Side Beam Assembly with 4 (S6) Pan Screws. Curtain Hangers should be able to slide freely between both tracks. (F4.1, F4.2 and F4.4)

**D:** Repeat Steps A-C for the other Side Beam Assembly.

**A:** Desde el interior del ensamble coloque una guía de cortina 10 x 10 larga contra uno ensamble de viga lateral, 2" de la base de la viga, apretada a la parte superior del refuerzo. Fije cada guía de cortina 10 x 10 larga al ensamble de gablete con 4 tornillos de cabeza plana (S6). (F4.1, F4.2 y F4.3)

**B:** En el canal más alejado de la viga, deslice 12 ganchos de cortina en la guía de cortina 10 x 10 larga. Los ganchos deben poder deslizarse y girar fácilmente. (F4.2)

**C:** Apretada a la primera guía de cortina 10 x 10 larga y apretada a la parte superior del refuerzo, coloque una segunda guía de cortina 10 x 10 larga y fije al ensamble de gablete con 4 tornillos de cabeza plana (S6). Los ganchos de cortina deben deslizarse fácilmente entre ambas guías. (F4.1, F4.2 y F4.4)

**D:** Repita los pasos A-C para el otro ensamble de viga lateral.

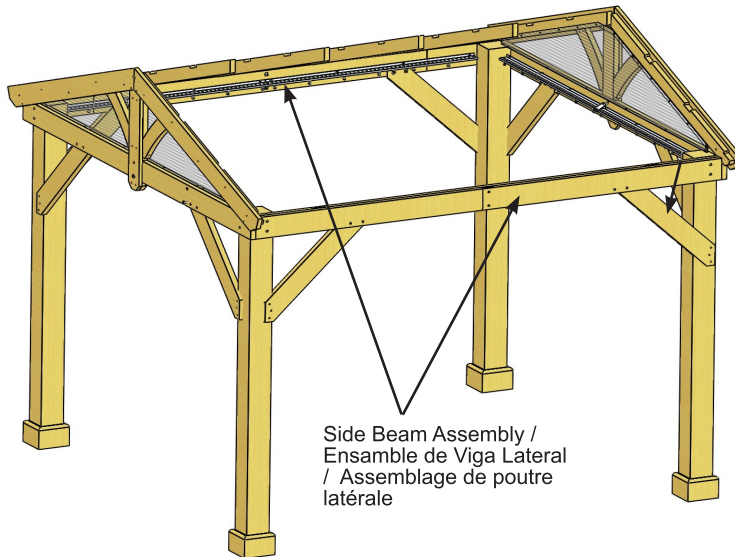
**A:** De l'intérieur de l'assemblage placez 1 rail pour rideaux 10 x 10 long contre un assemblage de poutre latérale, 2" vers le haut depuis le bas de la poutre, serré sur le haut du gousset. Fixez chaque rail pour rideaux 10 x 10 long à l'assemblage de poutre latérale avec 4 vis à tête cylindrique (S6). (F4.1, F4.2 et F4.3)

**B:** Dans le sillon le plus loin de la poutre, glissez 12 supports à rideaux dans le rail pour rideaux 10 x 10 long. Les supports devraient glisser aisément et être en mesure de tourner. (F4.2)

**C:** Serré au premier rail pour rideaux 10 x 10 long et serré sur le haut du gousset placez un deuxième rail pour rideaux 10 x 10 long puis fixez à l'assemblage du pignon avec 4 vis à tête cylindrique (S6). Les supports à rideaux devraient glisser aisément entre les deux rails. (F4.1, F4.2 et F4.4)

**D:** Répétez les étapes A-C pour l'autre assemblage de poutre latérale.

F4.1



**Components / Componentes / Composants**

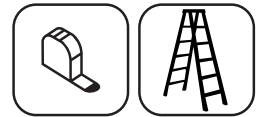
4 x 10 x 10 Long Curtain Track / Guía de cortina 10 x 10 Larga / Rail pour rideaux 10 x 10 long

**Hardware / Tornillos y accesorios / Quincaillerie**

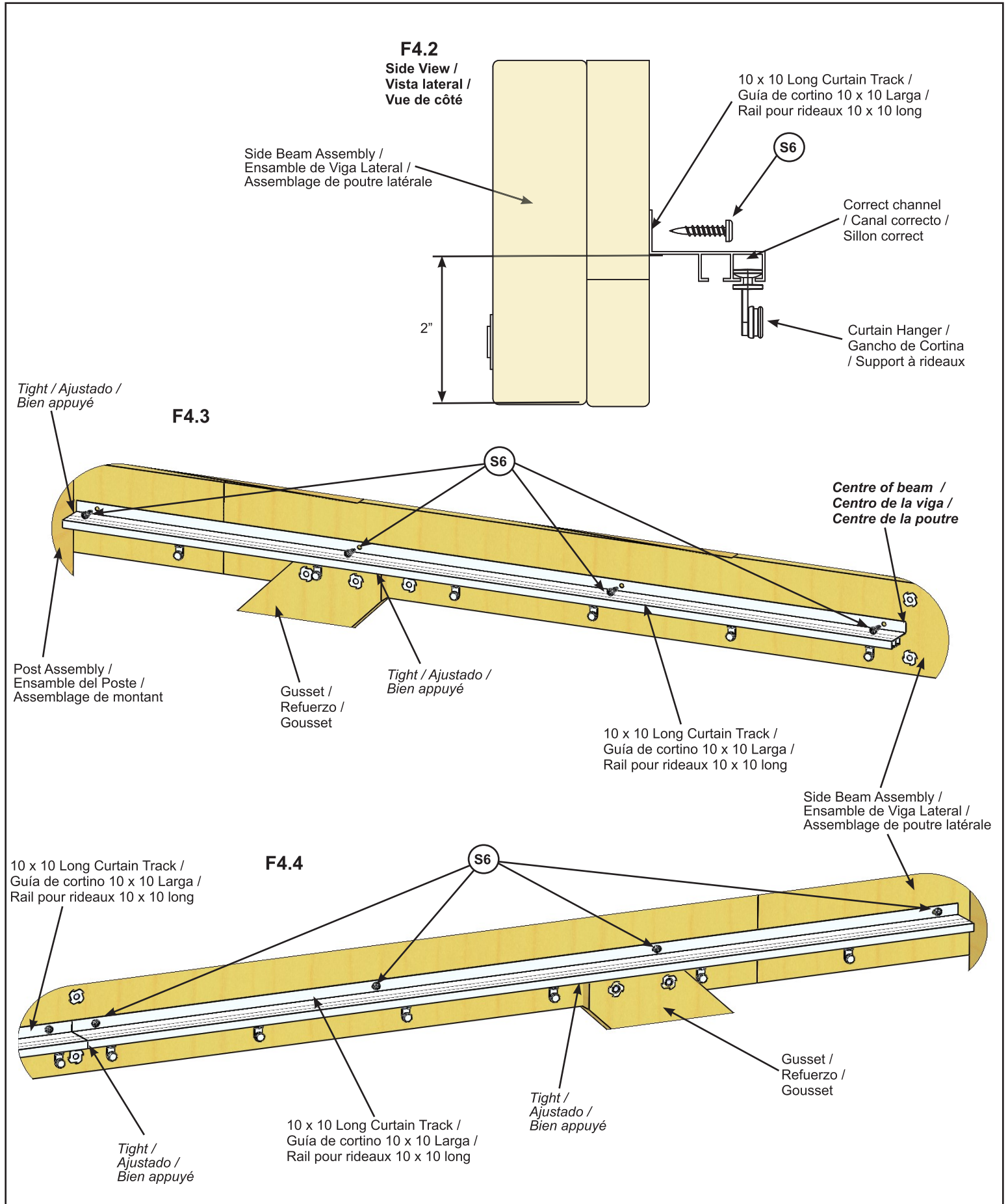
16 x (S6) #12 x 1"

24 x Curtain Hangers / Ganchos de cortina / Supports à rideaux

**Step 4: Attach Curtain Track, Side Beam - Paso 4: Fijación de las guías de cortina, Viga Lateral - Étape 4 : Fixation des rails pour rideau, Poutre latérale**



**Images - Fotos - Images**



**Step 5: Attach Curtain Track Gussets - Paso 5: Fijación de los refuerzos de las guías de cortina - Étape 5 : Fixation des goussets de rail pour rideaux**

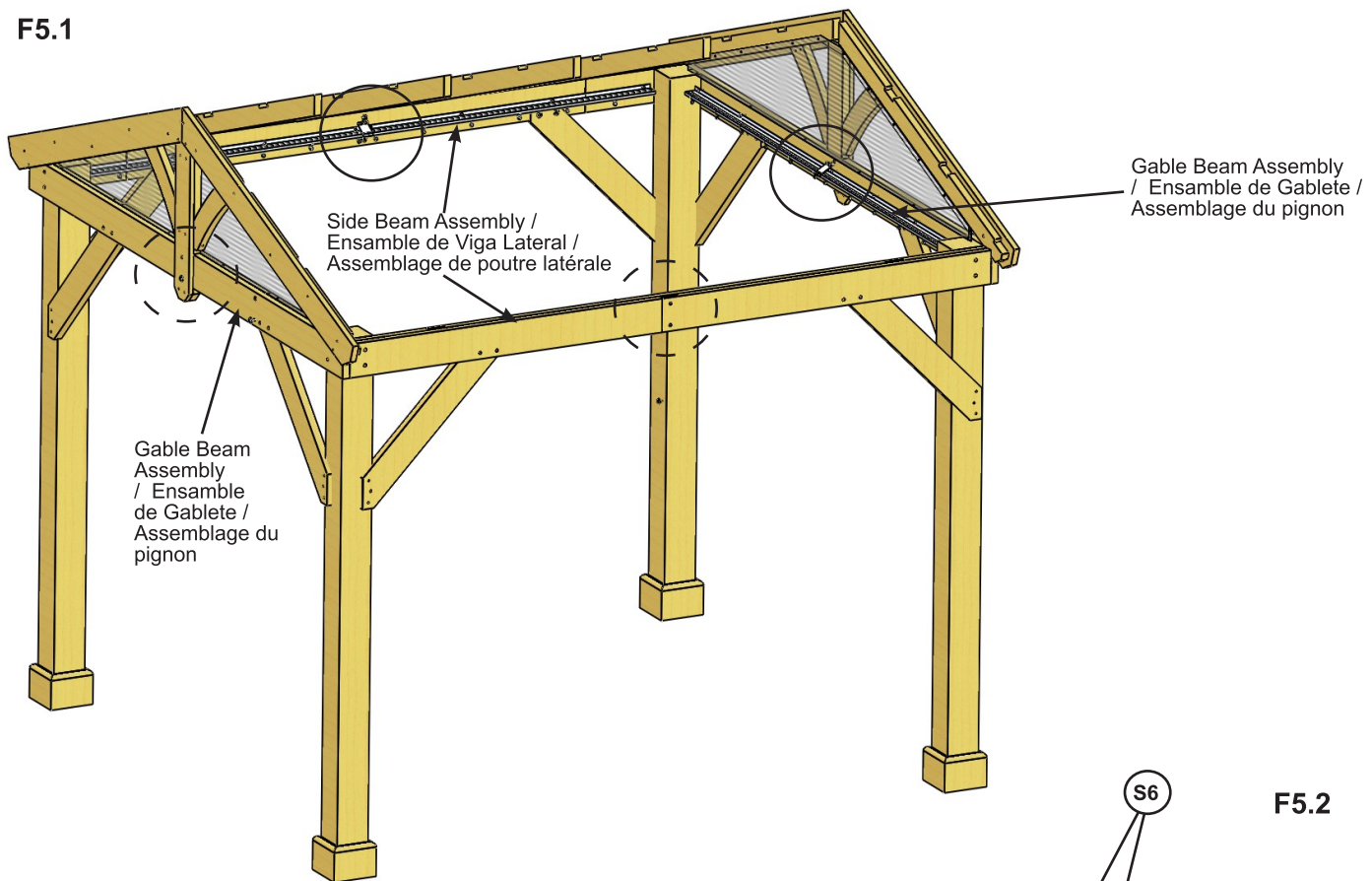


**A:** Where each set of curtain tracks meet attach tracks to beams with one Curtain Track Gusset using two (S6) Pan Screws per Curtain Track Gusset. (F5.1 and F5.2)

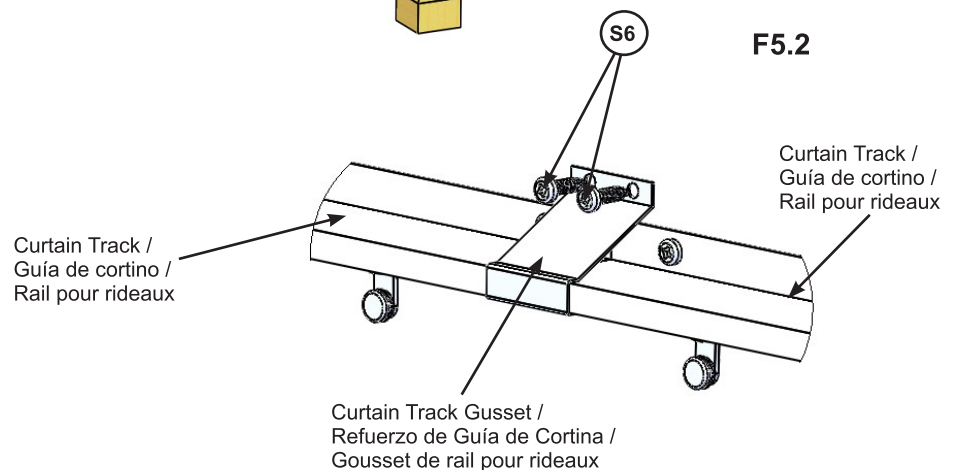
**A:** Donde cada juego de guía de cortina se reúne fije las guías a las vigas con uno refuerzo de guía de cortina con dos tornillos de cabeza plana (S6) por refuerzo de guía de cortina. (F5.1 y F5.2)

**A:** : Là où chaque ensemble de rail pour rideaux se rencontre fixez les rails aux poutres avec un gousset de rail pour rideaux avec deux vis à tête cylindrique (S6) par gousset de rail pour rideaux. (F5.1 et F5.2)

**F5.1**




**F5.2**



**Components / Componentes / Composants**

4 x Curtain Track Gusset / Refuerzo de Guía de Cortina /  
Gousset de rail pour rideaux

**Hardware / Tornillos y accesorios / Quincaillerie**

8 x  #12 x 1"

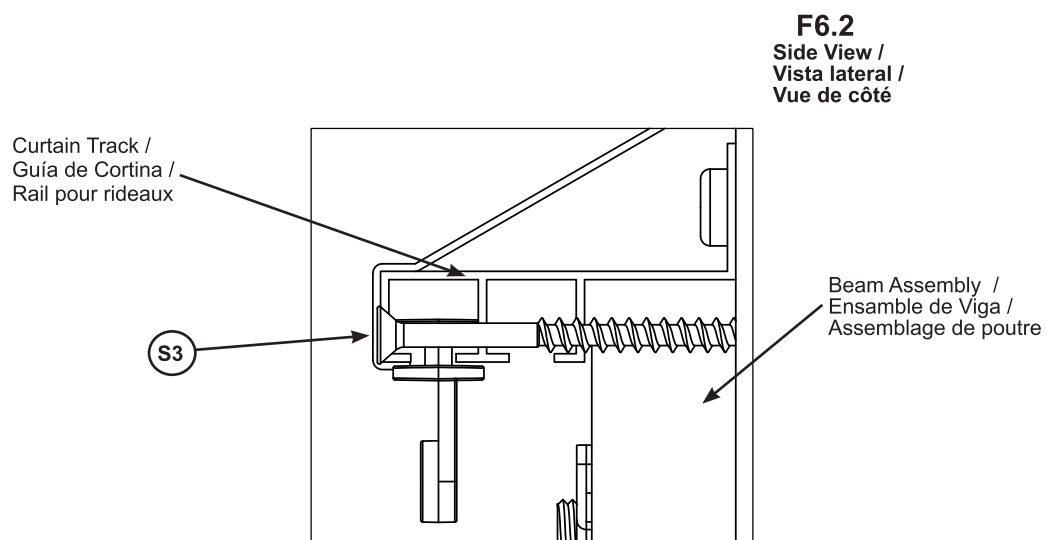
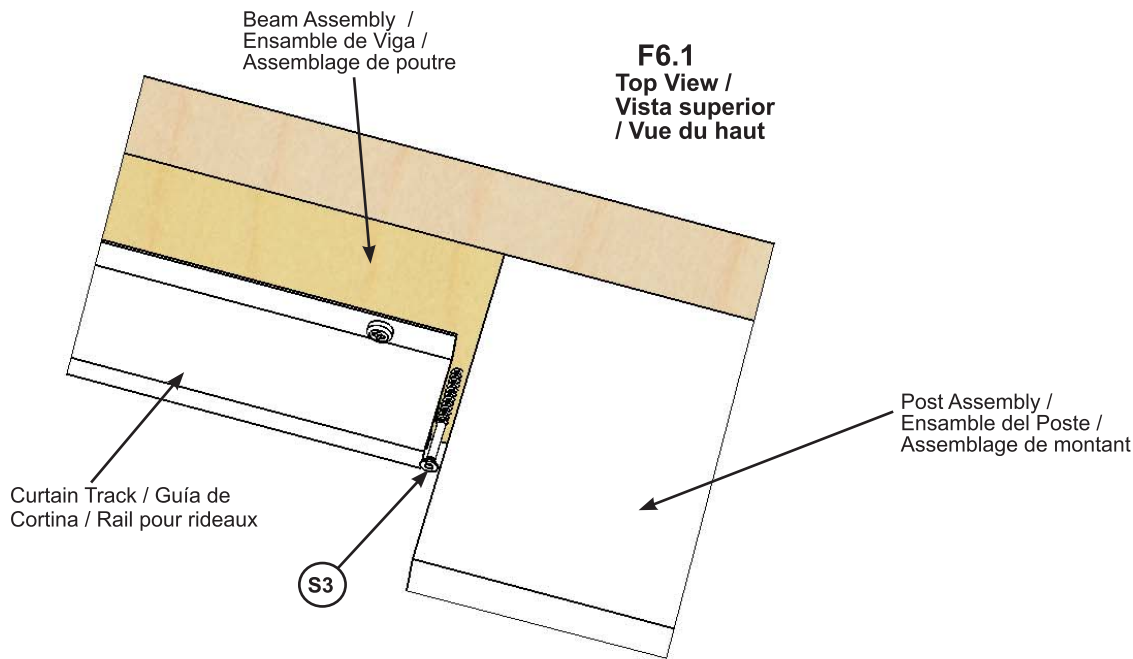
## Step 6: Attach End Screws - Paso 6: Fijación de los tornillos de los extremos - Étape 6 : Fixation de vis d'extrémité



**A:** If there is a gap between the Curtain Track and the Post Assembly install one (S3) Wood Screw into Beam Assembly where needed. This will prevent the Curtain Hangers from falling out of the tracks. (F6.1 and F6.2)

**A:** Si queda un espacio entre la guía de cortina y el ensamble del poste, instale un tornillo para madera (S3) en el ensamble de viga si es necesario, para evitar que los ganchos de cortina se salgan de las guías. (F6.1 y F6.2)

**A:** S'il y a un espace entre le rail pour rideaux et l'assemblage de montant, installez une vis à bois (S3) dans l'assemblage de poutre là où cela est requis. Cela évitera que les supports à rideaux tombent des rails. (F6.1 et F6.2)



### Hardware / Tornillos y accesorios / Quincaillerie

8 x  #8 x 2-1/2"

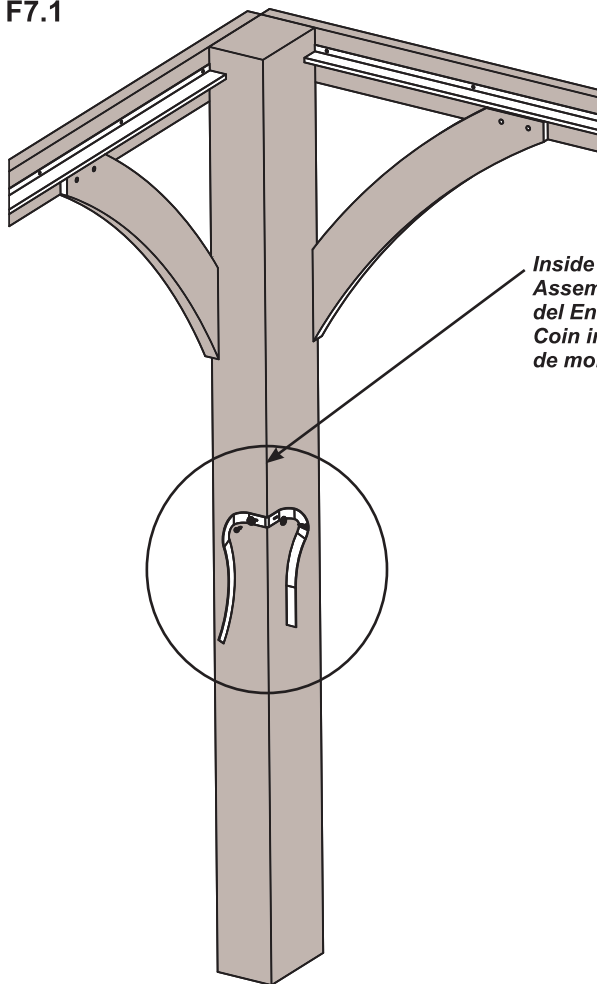
**Step 7: Attach Tie Back Ribbons - Paso 7: Colocación de los lazos traseros -  
Étape 7 : Fixation des rubans d'attache arrière**

**A:** On the inside corner of each Post Assembly attach one Tie Back Ribbon using 2 (S6) Pan Screws (with SB) per ribbon. (F7.1 and F7.2)

**A:** En la esquina interior de cada ensamble del poste, fije un lazo de sujeción trasero con 2 tornillos de cabeza plana (S6 con SB) por lazo. (F7.1 y F7.2)

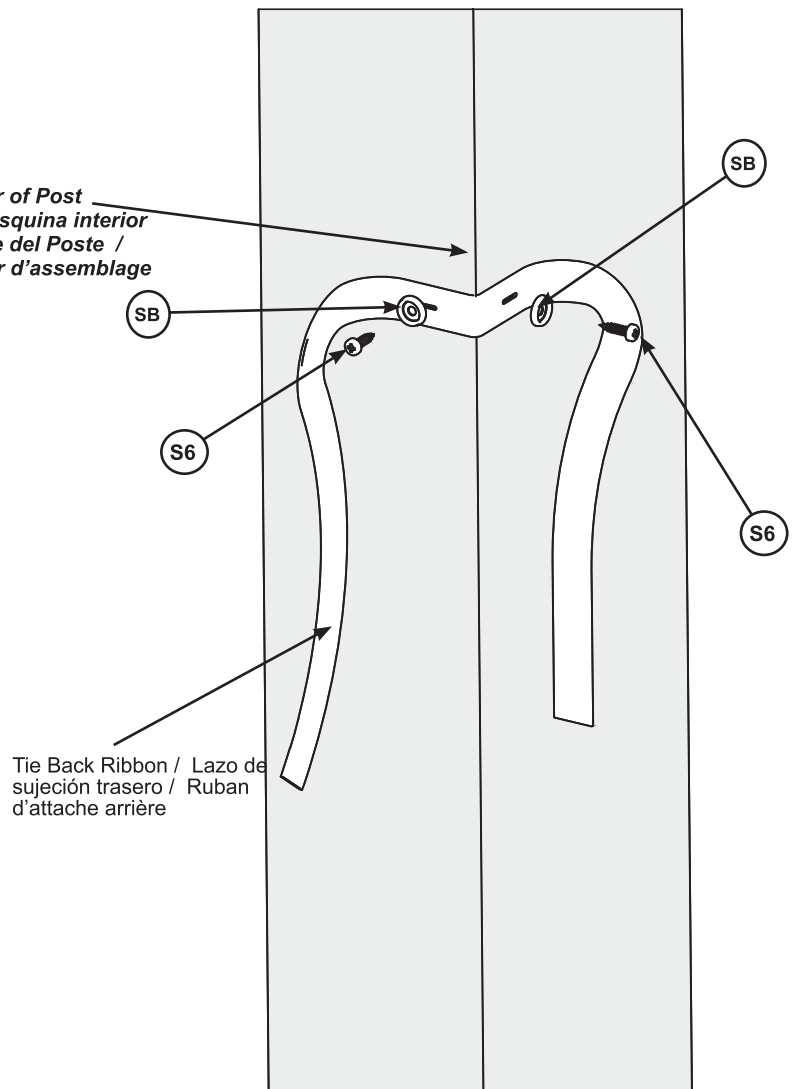
**A:** Dans le coin intérieur de chaque assemblage de montant, fixez un ruban d'attache arrière à l'aide de 2 vis à tête cylindrique (S6 avec SB) par ruban. (7.1 et F7.2)

**F7.1**



*Inside Corner of Post Assembly / Esquina interior del Ensamble del Poste / Coin intérieur d'assemblage de montant*

**F7.2**



*Tie Back Ribbon / Lazo de sujeción trasero / Ruban d'attache arrière*

**Components / Componentes / Composants**

4 x Tie Back Ribbon / Lazo de Sujeción Trasero / Ruban d'attache arrière

**Hardware / Tornillos y accesorios / Quincaillerie**

8 x  12 x 1"

8 x  #12 Screw Bezel / Bisel para tornillo No.12 / Vis à collerette #12

## Step 8: Attach Insect Panel Part 1 - Paso 8: Fijación de panel mosquitero Parte 1 - Étape 8 : Fixation du Panneau pour insecte Partie 1



**A:** Starting at the centre of one Gable Beam Assembly, using the button snaps, attach one Insect Panel to 6 Curtain Hangers then attach Insect Panel to 6 Curtain Hangers on Side Beam Assembly. (F8.1, F8.2 and F8.3)

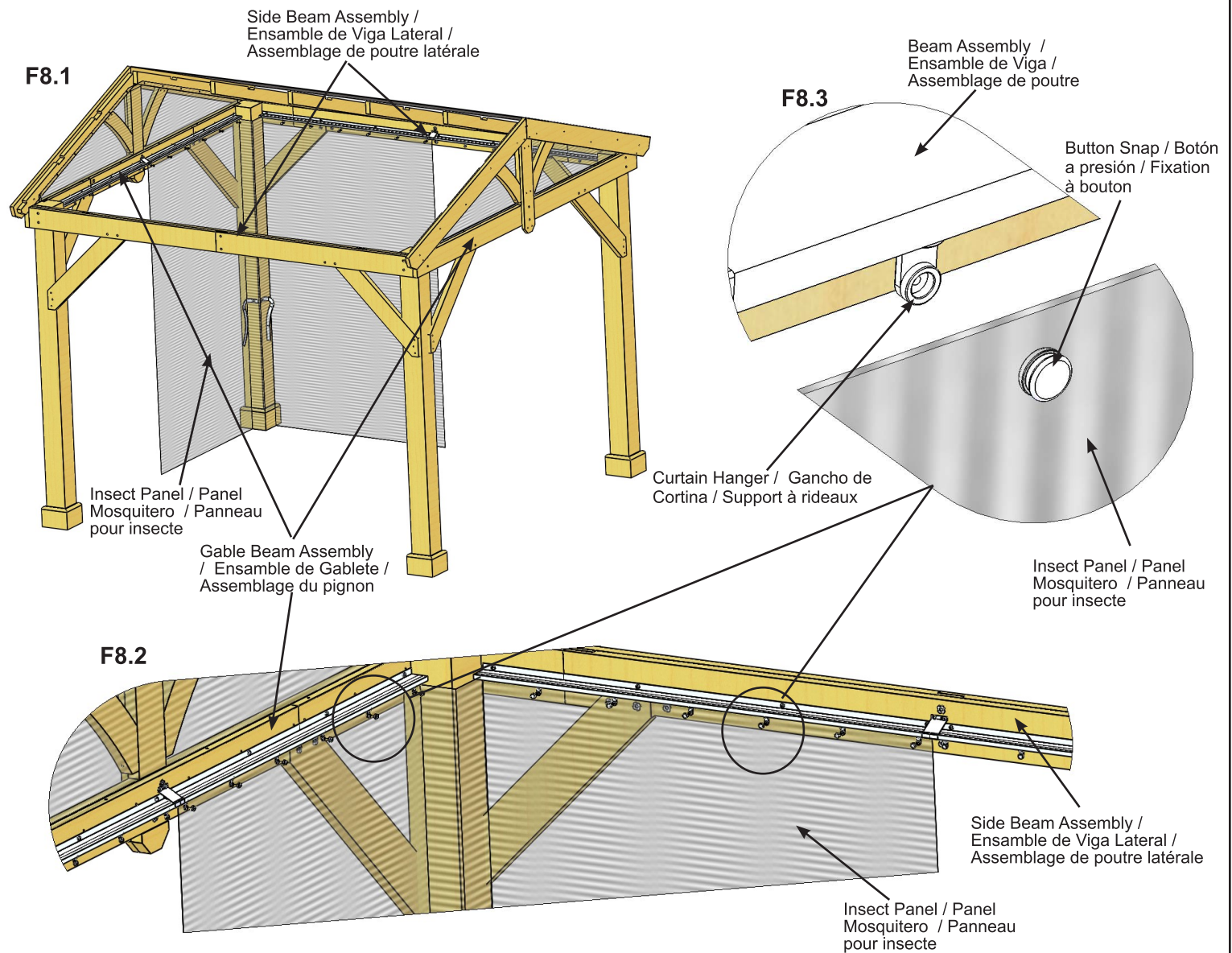
**B:** Repeat Step A for remaining 3 Insect Panels, starting at the end of the first panel and continuing around the Pavilion.

**A:** Comenzando por el centro de un ensamble de gablete, usando los botones a presión, fije un panel mosquitero a 6 ganchos de cortina y luego fíjelo a 6 ganchos de cortina en el ensamble de viga lateral. (F8.1, F8.2 y F8.3)

**B:** Repita el paso A para los 3 paneles mosquiteros restantes, comenzando al final del primero panel y continuando alrededor del Pavillon.

**A:** En débutant au centre de l'un des assemblages du pignon, à l'aide des fixations à bouton, fixez un panneau pour insecte aux 6 supports à rideaux puis fixez le panneau pour insecte aux 6 supports à rideaux sur l'assemblage de poutre latérale. (F8.1, F8.2 et F8.3)

**B:** Répétez l'étape A pour les 3 panneaux pour insecte restants, en débutant à l'extrémité du premier panneau et en poursuivant autour du Pavillon.



### Components / Componentes / Composants

4 x Insect Panel / Panel Mosquitero / Panneau pour insecte



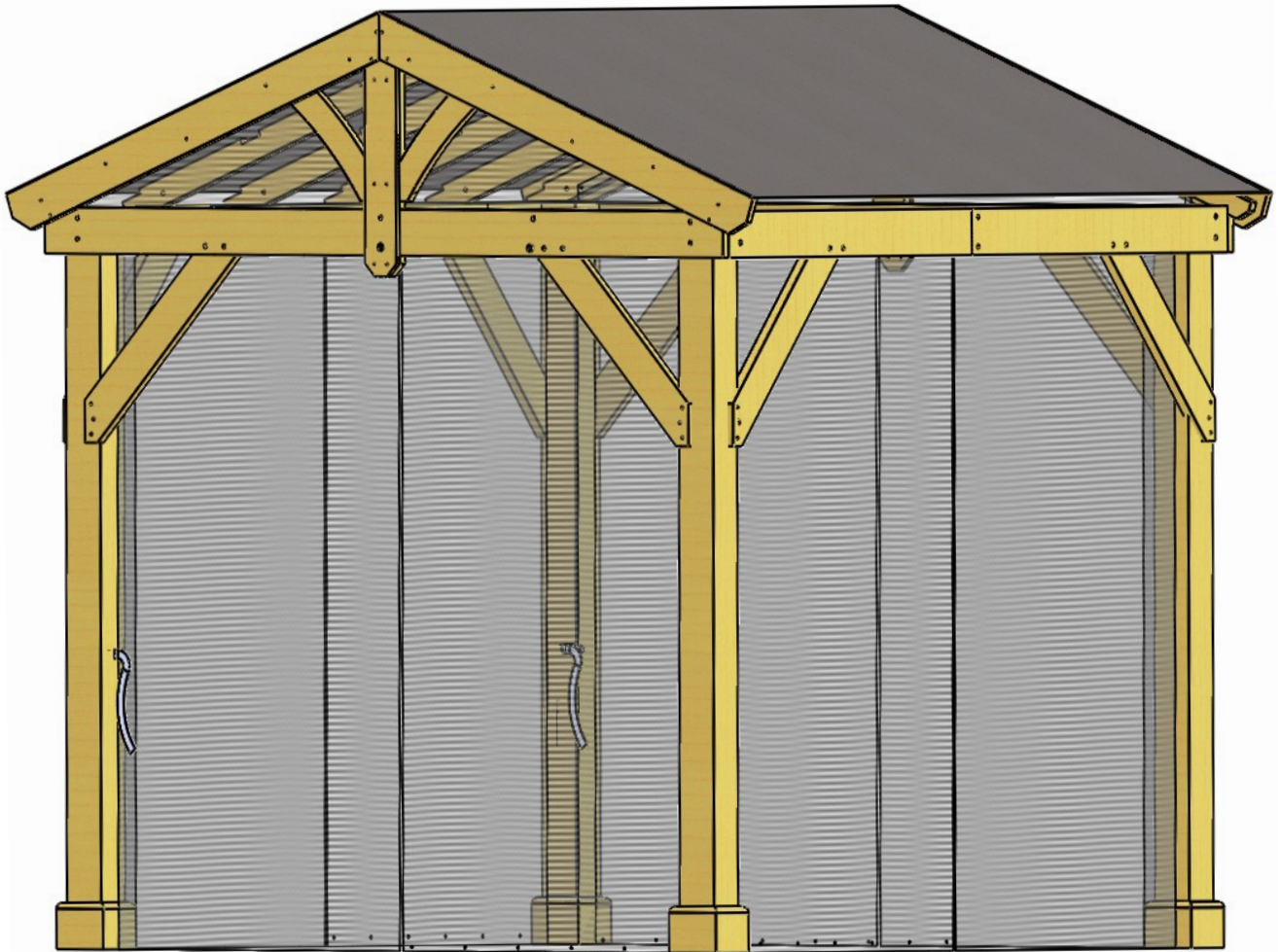
**Step 8: Attach Insect Panel Part 2 - Paso 8: Fijación de panel mosquitero Parte 2**  
**- Étape 8 : Fixation du panneau pour insecte Partie 2**

**C:** Join Insect Panels by zipping them together. (F8.4)

**C:** Una los paneles mosquiteros con el cierre de cremallera. (F8.4)

**C:** Joignez les panneaux pour insecte en fermant la fermeture éclair les reliant. (F8.4)

F8.4



## Step 9: Attach Insect Panels to Posts - Paso 9: Fijación de los paneles mosquiteros a los postes - Étape 9 : Fixation des panneaux pour insecte aux montants



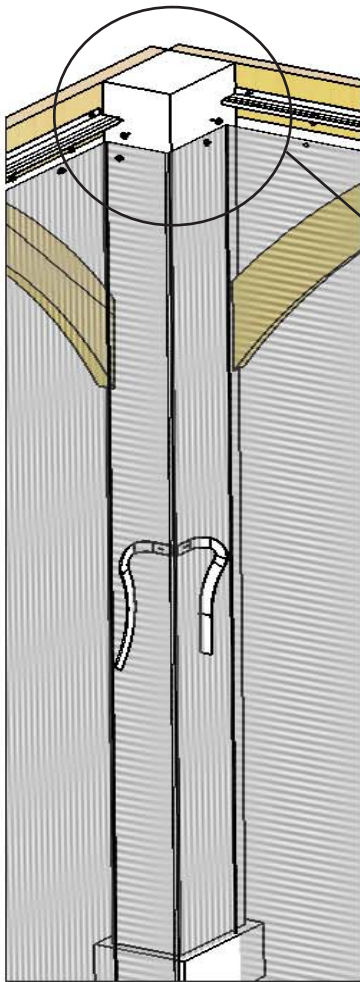
**A:** At the top of each Post Assembly locate Button Snaps on Insect Panel then fasten Male Snaps with Screw to Post Assembly so it lines up with the Button Snap. Connect Button Snaps to Male Snaps. (F9.1 and F9.2)

**A:** En la parte superior de cada ensamble del poste, ubique los botones a presión de los paneles mosquiteros y ajuste los broches machos con tornillo al ensamble del poste de manera que coincidan con los botones a presión. Conecte los botones a presión con los broches machos. (F9.1 y F9.2)

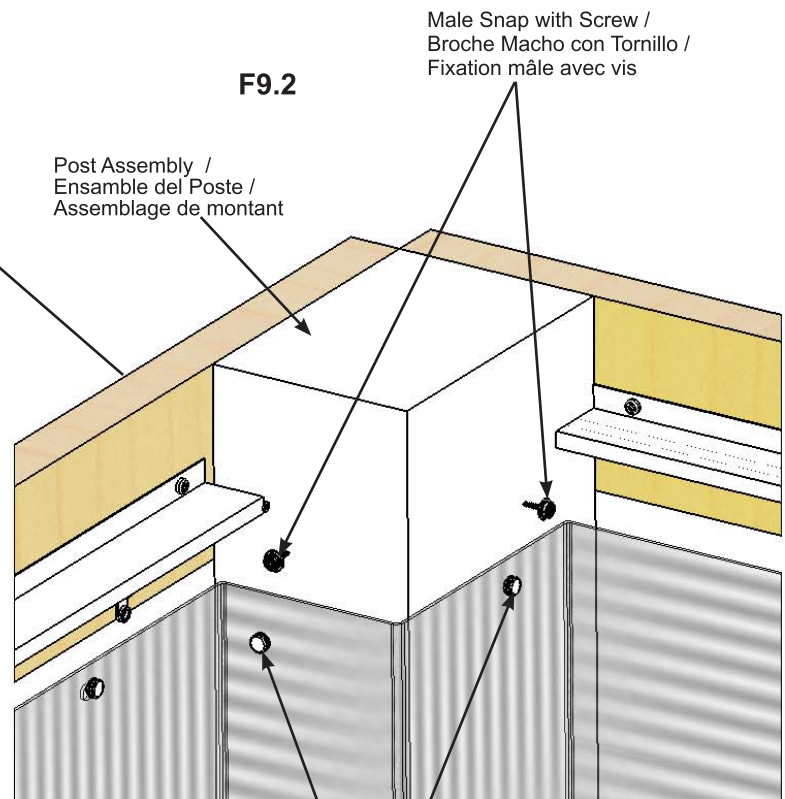
**A:** Au haut de chaque assemblage de montant, situez les fixations à bouton sur le panneau pour insecte, puis posez les fixations mâles avec vis à l'assemblage de montant en les alignant avec les fixations à bouton. Fermez les fixations en les joignant. (F9.1 et F9.2)

Top of Post Assembly / Parte superior del Ensamble del Poste / Dessus de l'assemblage de montant

F9.1



F9.2



Button Snap /  
Botón a presión /  
Fixation à bouton

### Hardware / Tornillos y accesorios / Quincaillerie

8 x Male Snap with Screw / Broche Macho con Tornillo /  
Fixation mâle avec vis

## Step 10: Secure Insect Panels - Paso 10: Sujeción permanente de los paneles mosquiteros - Étape 10 : Pose des panneaux pour insectes



**Note:** Only complete this step if you plan on keeping your Insect Panels up at all times.

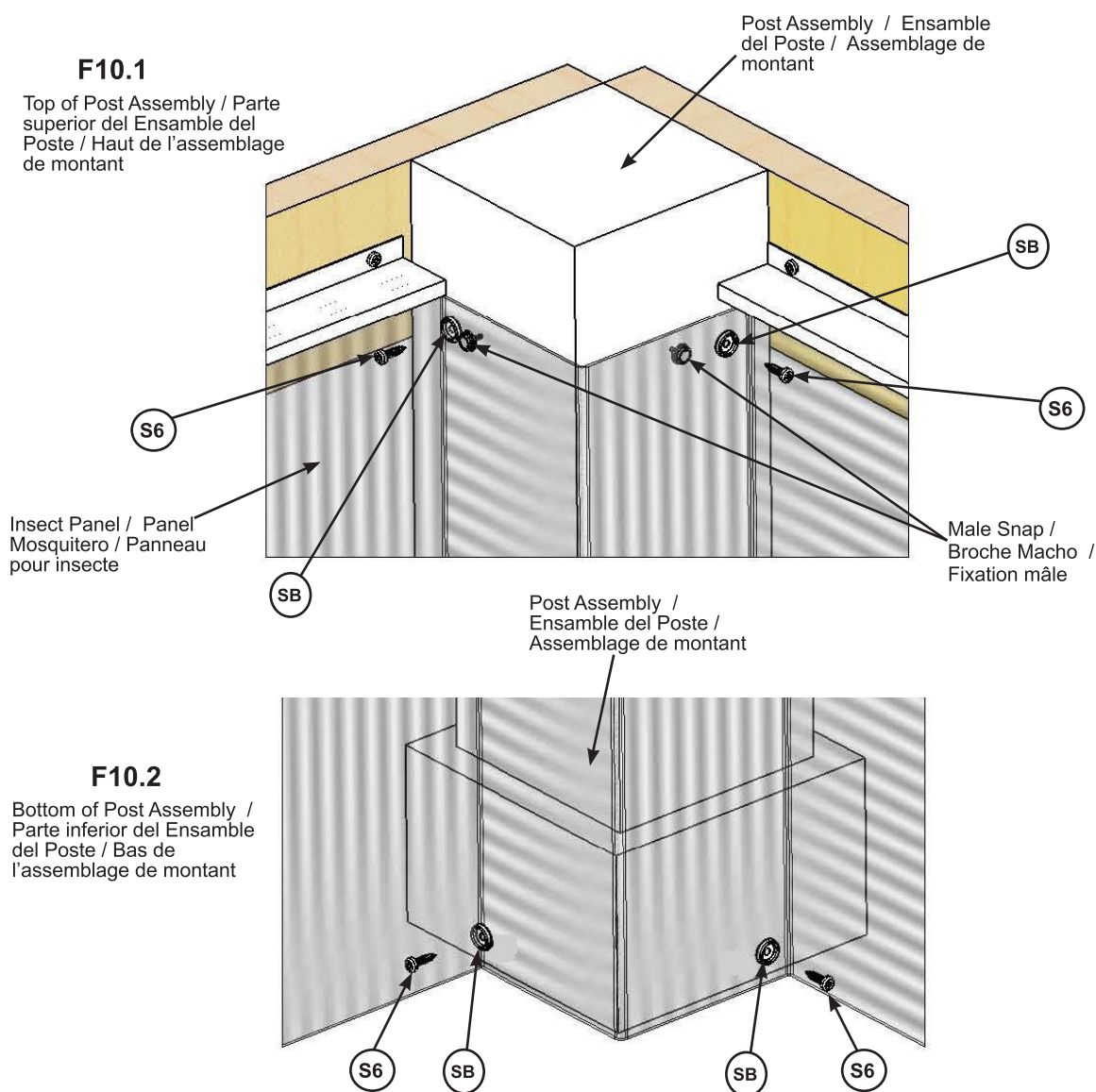
**A:** To outside corners of Post Assemblies secure Insect Panels with 2 (S6) Pan Screws (with SB) on the top and bottom of each post. Screws are beside each Male Snap on top of posts. (F10.1 and F10.2)

**Nota:** Realice este paso solo si planea dejar colocados los paneles mosquiteros en forma permanente.

**A:** En las esquinas exteriores de los ensambles de los postes fije los paneles mosquiteros con 2 tornillos de cabeza plana (S6 con SB) en la parte superior e inferior de cada poste. Los tornillos están al lado de cada broche macho en la parte superior de los postes. (F10.1 y F10.2)

**Note:** Complétez cette étape uniquement si vous planifiez de garder les panneaux pour insectes installés en tout temps.

**A:** Aux coins extérieurs des assemblages de montants fixez les panneaux pour insecte avec 2 vis à tête cylindriques (S6 avec SB) au haut et au bas de chaque montant. Les vis sont à côté de chaque fixation mâle en haut des montants. (F10.1 et F10.2)



### Hardware / Tornillos y accesorios / Quincaillerie

16 x #12 x 1"

16 x #12 Screw Bezel / Bisel para tornillo

No.12 / Vis à collerette #12

## Limited Warranty - Garantía Limitada - Garantie limitée

Yardistry warrants that this product is free from defect in materials and workmanship for a period of one (1) year from the original date of purchase. In addition, for any product with lumber, all lumber is warranted for five (5) years against rot and decay. This warranty applies to the original owner and registrant and is non-transferable.

Regular maintenance is required to assure the integrity of your product and is a requirement of the warranty. This warranty does not cover any inspection costs.

**This Limited Warranty does not cover:**

- Labour for replacement of any defective item(s);
- Incidental or consequential damages;
- Cosmetic defects which do not affect performance or integrity;
- Vandalism; improper use or installation; acts of nature, including but not limited to wind, storms, hail, floods, excessive water exposure;
- Minor twisting, warping, checking or any other natural occurring properties of wood that do not affect performance or integrity.

Yardistry products have been designed for safety and quality. Any modifications made to the original product could damage the structural integrity of the product leading to failure and possible injury. Yardistry cannot assume any responsibility for modified products. Furthermore, modification voids any and all warranties.

**This product is warranted for RESIDENTIAL USE ONLY. Yardistry disclaims all other representations and warranties of any kind, express or implied.**

*This Warranty gives you specific legal rights. You may have other rights as well which vary from state to state or province to province. This warranty excludes all consequential damages, however, some states/provinces do not allow the limitation or exclusion of consequential damages, and therefore this limitation may not apply to you.*

Yardistry garantiza que este producto está libre de defectos en materiales y mano de obra por un período de un (1) año de la fecha original de compra. Adicionalmente, para cualquier product con madera, toda la madera está garantizada por cinco (5) años contra la degradación y putrefacción. Esta garantía aplica al dueño original y registrante y no es transferible.

Se requiere mantenimiento regular para asegurar la integridad de su producto y es un requisito de la garantía. Esta garantía no cubre cualquier costo de inspección..

**Esta Garantía Limitada no cubre:**

- Trabajo para el reemplazo de cualquier artículo(s) defectuoso;
- Daños incidentales o consecuentes;
- Defectos cosméticos que no afecten el rendimiento o la integridad;
- Vandalismo, uso o instalación inapropiados, actos de la naturaleza incluyendo pero no limitándose a los vientos, tormentas, granizo, inundaciones, exceso de exposición al agua;
- Menor torsión, deformación, agrietado, o cualquier otra propiedad natural concurrente a la madera que no afecte su rendimiento o integridad.

Los productos Yardistry han sido diseñados para seguridad y calidad. Cualquier modificaciones hechas al producto original pueden dañar la integridad estructural del producto, provocando fallas o posibles lesiones. Yardistry no puede asumir ninguna responsabilidad para productos modificados. Además, las modificaciones anulan cualquiera y todas las garantías.

**Este producto está garantizado para USO RESIDENCIAL SOLAMENTE. Yardistry renuncia a todas las representaciones y garantías de todo tipo, expresas o implícitas.**

*Esta Garantía le brinda derechos legales específicos. Puede tener otros derechos también que varían de estado a estado o provincia a provincia. Esta garantía excluye todos los daños consecuentes, sin embargo, algunos estados no permiten la limitación or exclusión de daños consecuentes, y por lo tanto esta limitación no se aplica con usted.*

Yardistry garantit que ce produit est exempt de défauts de fabrication ou de conception pendant une période d'un (1) an suivant la date d'achat. De plus, pour tout produit avec du bois, tout le bois est garanti pendant cinq (5) ans contre la dégradation et la pourriture. Cette garantie s'applique à l'acheteur original, et n'est pas transférable.

Un entretien régulier est requis afin d'assurer l'intégrité de votre produit, et constitue une exigence pour cette garantie. Cette garantie ne couvre aucun coût d'inspection.

**Cette garantie limitée ne couvre pas:**

- Main d'oeuvre pour le remplacement de tout élément défectueux;
- Dommages indirects ou consécutifs;
- Défauts esthétiques n'affectant pas la performance ou l'intégrité;
- Vandalisme; installation ou usage inadéquat; actes de la nature incluant, sans s'y limiter, le vent, les tempêtes, la grêle, les inondations ou une exposition excessive à l'eau;
- Faible torsion, déformation ou fendillement, ou toute autre transformation naturelle du bois n'affectant pas la performance ou l'intégrité.

Les produits Yardistry ont été conçus dans une optique de qualité et de sécurité. Toute modification effectuée au produit original pourrait endommager l'intégrité structurelle du produit, entraînant des défaillances et potentiellement des blessures. Yardistry ne peut assumer aucune responsabilité pour les produits ayant été modifiés. De plus, toute modification annule toutes les garanties, quelles qu'elles soient.

**Ce produit est garanti pour un USAGE RÉSIDENCIEL SEULEMENT. Yardistry décline toute autre déclaration ou garantie, expresse ou implicite.**

*Cette garantie vous octroie des droits légaux spécifiques. Vous pourriez bénéficier d'autres droits, qui varient selon l'état ou la province ou vous résidez. Cette garantie exclut tous les dommages indirects, toutefois, certains états ne permettent pas la restriction ou l'exclusion des dommages indirects, alors cette restriction pourrait ne pas s'appliquer à votre situation.*





## Customer Registration Card - Tarjeta de Registro del Cliente - Carte d'inscription du client

First Name - Primer Nombre - Prénom	Initial - Inicial - Initiale	Last Name - Apellido - Nom de famille

Street - Calle - Rue	PO Box - Casilla postal - Boîte postale	Apt. No. - App.

City - Ciudad - Ville	State/Province - Estado/Provincia - État/Province

ZIP/Postal Code - Código Postal - ZIP/Code postal	Country - País - Pays

E-mail Address - Dirección de E-mail - Adresse courriel	Telephone Number - No. de Teléfono - N° de téléphone

Model Name - Nombre del Modelo - Nom du modèle	Model Number (from front cover) - Número de Modelo (de la portada) - N° du modèle (page de couverture)

Date of Purchase - Fecha de Compra - Date d'achat (mm/dd/yyyy) (mm/dd/aaaa) (mm/jj/aaaa)	Place of Purchase - Comprado a - Lieu d'achat

Comments - Comentarios - Commentaires:

### Mail To - Enviar por Correo a - Envoyer par courrier à:

Yardistry  
375 Sligo Road West, PO Box 10  
Mount Forest, Ontario, Canada, N0G 2L0  
Attention: Consumer Relations  
Atención a: Servicio de Atención al Cliente  
À l'attention de: Service à la clientèle

### Online Registration - Registro online - Enregistrement en ligne:

<http://yardistrystructures.com/warranty.php>

Yardistry would like to say "Thank you" for your time and feedback.  
Yardistry quiere "Agradecerle" por su tiempo y su opinión.  
Yardistry aimerait vous remercier d'avoir pris le temps de répondre au sondage.