

4.2m x 3.6m (14' x 12') PAVILION with ALUMINUM ROOF

Installation and Operating Instructions – YM12949



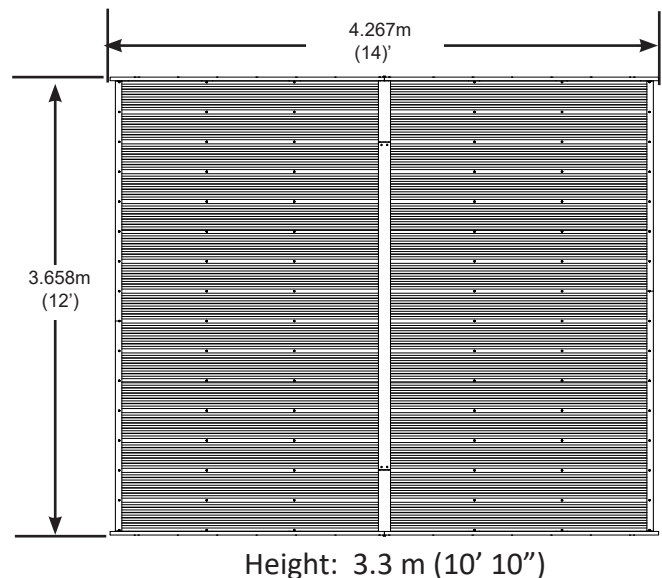
IMPORTANT, RETAIN FOR FUTURE REFERENCE: READ CAREFULLY

Revised 02-11-2021

YARDISTRY®

Yardistry – North America
Toll Free Customer Support:
1.888.509.4382
info@yardistrystructures.com
www.yardistrystructures.com

Regular Hours: Mon - Fri, 8:30 am - 5:00 pm EST (excl. holidays)
(For extended hours see our website)
English and French Spoken



Important Safety Notice!

Yardistry components are intended for privacy, decorative and ornamental use only.

Product is NOT INTENDED for the following:

- A safety barrier to prevent unsupervised access to pools, hot tubs, spas or ponds.
- As load bearing support for a building, structure, heavy objects or swings.
- Used in structures that trap wind, rain or snow that would create extra load on the product.

Accumulated snow must be removed from roof.

DO NOT climb or walk on roof for any reason.

Permanent structures may require a building permit. As the purchaser and or installer of this product you are advised to consult local planning, zoning and building inspection departments for guidance on applicable building codes and/or zoning requirements.

Wood is NOT flame retardant and will burn. Grills, fire pits and chimineas are a fire hazard if placed too close to a Yardistry structure. Consult user's manual of the grill, fire pit or chiminea for safe distances from combustible materials.

Wear gloves to avoid injury from possible sharp edges of individual elements before assembly.

During installation, follow all safety warnings provided with your tools and use OSHA approved safety glasses. Some structures may require two or more people to install safely.

Check for underground utilities before digging or driving stakes into the ground!

During assembly it is important to closely follow the instructions. Complete the assembly on a solid, level surface and follow the instructions to square up, level and anchor the structure. This will reduce the gaps at wood connections during assembly.

General Information

General Information: Wood components are manufactured with Cedar (C. Lanceolata) which is protected with factory applied water-based stain. Knots, small checks (cracks) and weathering are naturally occurring and do not affect the strength of the product. Annual application of a water-based water repellent sealant or stain is important and will help reduce weathering and checks.

www.yardistrystructures.com

Questions?

Call toll free or write us at:
1 (888) 509-4382
support@yardistrystructures.com

Regular Hours: Mon - Fri, 8:30 am - 5:00 pm EST
(excl. holidays)
(For extended hours see our website)

English and French Spoken

Patents Pending

Limited Warranty

Yardistry warrants that this product is free from defect in materials and workmanship for a period of one (1) year from the original date of purchase. In addition, for any product with lumber, all lumber is warranted for five (5) years against rot and decay. This warranty applies to the original owner and registrant and is non-transferable.

Regular maintenance is required to assure the integrity of your product and is a requirement of the warranty. This warranty does not cover any inspection costs.

This Limited Warranty does not cover:

- Labour for replacement of any defective item(s);
- Incidental or consequential damages;
- Cosmetic defects which do not affect performance or integrity;
- Vandalism; improper use or installation; acts of nature, including but not limited to wind, storms, hail, floods, excessive water exposure;
- Minor twisting, warping, checking or any other natural occurring properties of wood that do not affect performance or integrity.

Yardistry products have been designed for safety and quality. Any modifications made to the original product could damage the structural integrity of the product leading to failure and possible injury. Yardistry cannot assume any responsibility for modified products. Furthermore, modification voids any and all warranties.

This product is warranted for RESIDENTIAL USE ONLY. Yardistry disclaims all other representations and warranties of any kind, express or implied.

This Warranty gives you specific legal rights. You may have other rights as well which vary from state to state or province to province. This warranty excludes all consequential damages, however, some states/provinces do not allow the limitation or exclusion of consequential damages, and therefore this limitation may not apply to you.

Instructions for Proper Maintenance

Your Yardistry structure is designed and constructed of quality materials. As with all outdoor products it will weather and wear. To maximize the enjoyment, safety and life of your structure it is important that you, the owner, properly maintain it.

HARDWARE:

- Check metal parts for rust. If found, sand and repaint using a non-lead paint complying with 16 CFR 1303.
- Inspect and tighten all hardware after completion of assembly; after first month of use; and then annually. Do not over-tighten as to cause crushing and splintering of wood.
- Check for sharp edges or protruding screw threads, add washers if required.

WOOD PARTS:

- Applying a water repellent or stain (water-based) on a yearly basis is important maintenance to maintain maximum life and performance of the product.
- Check all wood members for deterioration, structural damage and splintering. Sand down splinters and replace deteriorated wood members. As with all wood, some checking and small cracks in grain is normal
- Some gapping may occur at some wood connections.

Assembly Guides

Tools Required:

- | | | |
|------------------------------|------------------|----------------------|
| • Tape Measure | • 8' Step Ladder | • 6' Step Ladder x 2 |
| • Carpenters Level | • Safety Glasses | • Square |
| • Standard or Cordless Drill | • Adult Helper | • Ratchet |
| • 7/16", 1/2" & 9/16" Wrench | • Safety Gloves | |
| • 7/16", 1/2" & 9/16" Socket | • Hard Hat | |

Symbols:

Throughout these instructions symbols are provided in the top, right-hand corner of the page.



- Use Help, where this is shown, 2, 3 or 4 people are required to safely complete this step. To avoid injury or damage to the assembly make sure to get some help.



- Use a measuring tape to assure proper location



- Pre-drill a pilot hole before fastening screw or lag to prevent splitting of wood.



- Check that assembly is square before tightening bolts

If you dispose of your Yardistry structure: Please disassemble and dispose of your unit so that it does not create any unreasonable hazards at the time it is discarded. Be sure to follow your local waste ordinances.

Assembly Tips

Following are some helpful tips to make the assembly process smooth and efficient.

PRE-ASSEMBLIES:

(i.e. Post and Beam Assemblies, Roof Rafter Assembly, etc)

- Work on a raised, solid and flat surface such as, a table or saw horse.
- Keep all connections flush where shown in the instructions.
- When assembling the beams keep parts flat, straight and snug when connecting.

METAL PARTS:

- Roofing material may have sharp edges, wear safety gloves.
- Remove all plastic covering, on both sides of the metal panels, directly before installing each piece.
- Place roofing material on a non-abrasive surface before and after assembly as it can bend, dent and scratch easily.
- The roofing screws can easily crush the roof panels and roof edges when using a power drill. We recommend hand tightening the roofing screws so they sit snug and tight to the roofing material.

Permanent Installation Examples

Note: It is critically important you start with square, solid and level footings, concrete pad or deck to attach your Pavilion.

We supply Post Mounts with this structure which gives you the flexibility to permanently install your structure to a pre-existing or new wood or concrete surface.

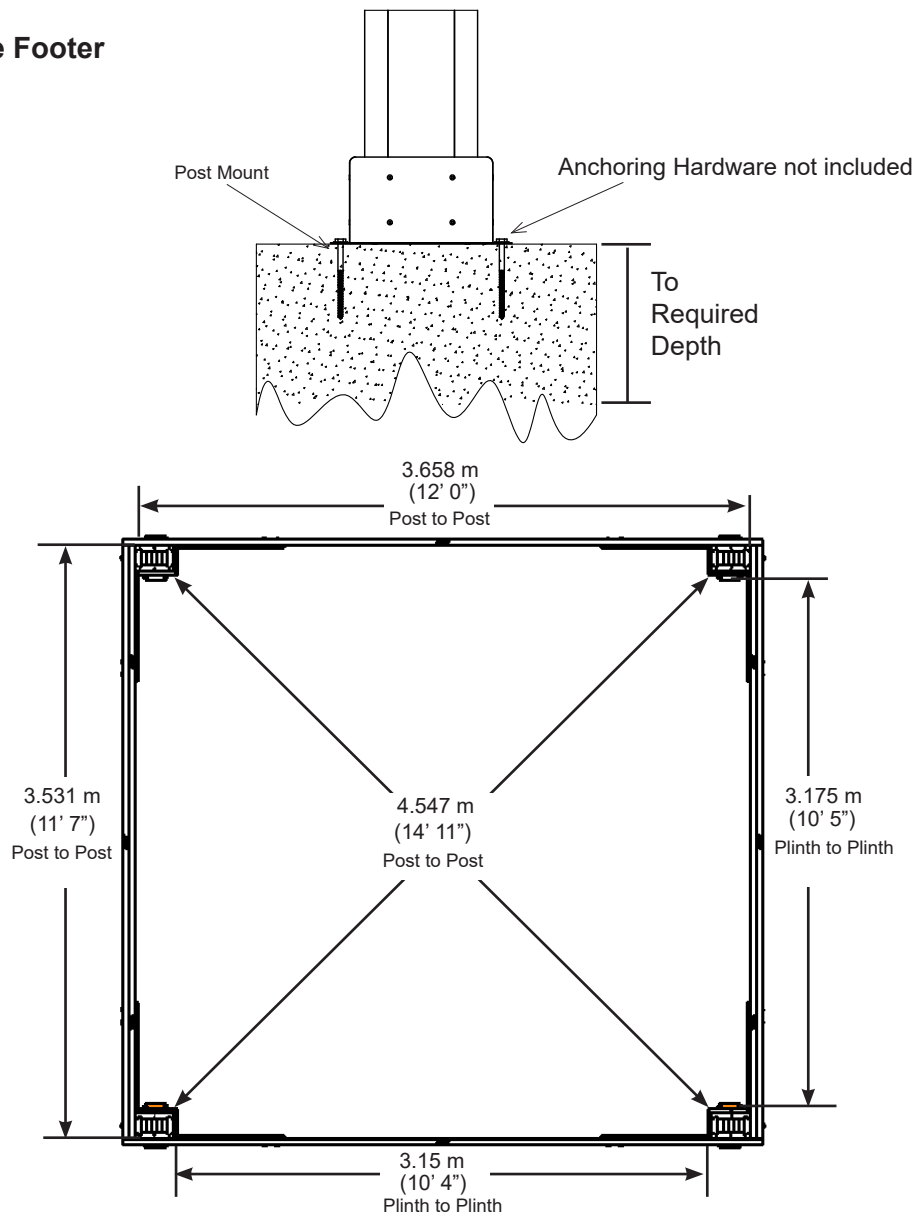
- The hardware to attach the Post Mount to the structure is included.
- The hardware to mount the structure permanently will need to be purchased separately at your local hardware store.

If you are mounting to concrete footers see below for the correct locations and placement. Please double check for possibility of any underground utilities such as gas, telephone, cable or sprinkler lines.

Following are some examples of how to mount the structure to wood or concrete surfaces.

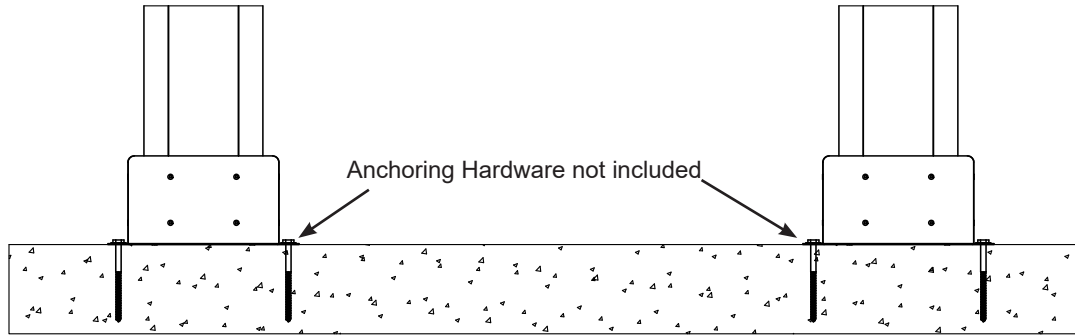
Refer to your local building and city codes, ordinances, neighbourhood covenants, or height restrictions regarding this type of structure for guidance on acceptable installation requirements.

Concrete Footer

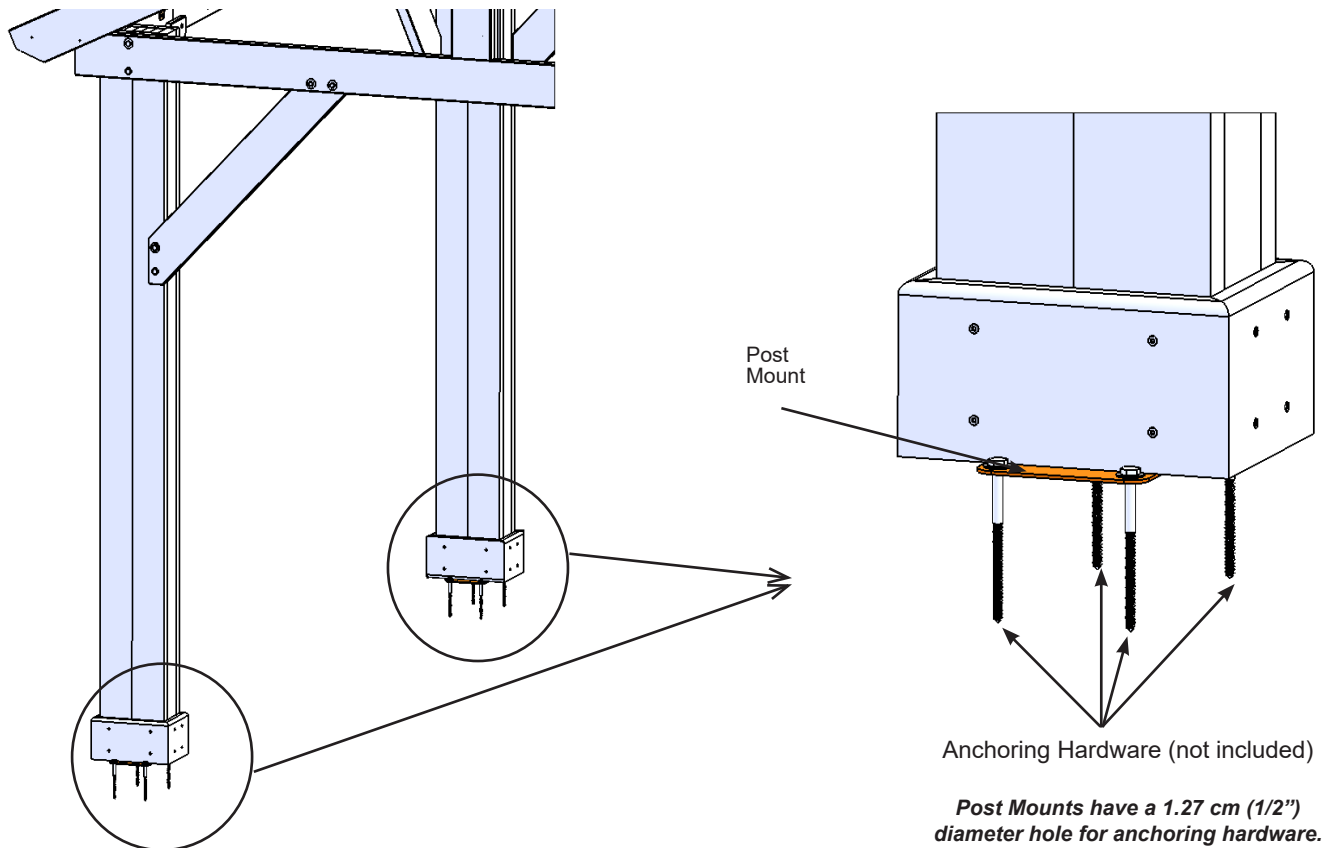
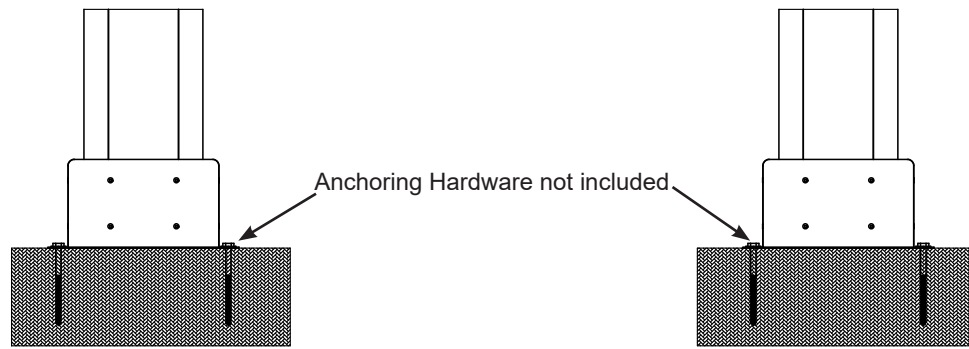


Permanent Installation Examples cont.

Concrete Patio [min. 3.835 m x 3.962 m (12' 7" x 13')] with 15.24 cm (6") clearance on all sides

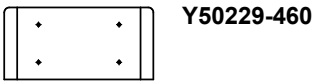


Wood Deck [min. 3.835 m x 3.962 m (12' 7" x 13')] with 15.24 cm (6") clearance on all sides

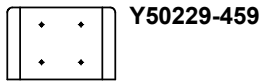


Part Identification (Dimensions are approximate and are shown to assist in the identification of parts for assembly. Actual dimensions may be smaller or larger.)

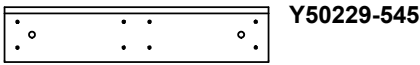
8pc. (460) Plinth Long FSC
23.8 x 133.4 x 276.2mm (5/4 x 6 x 10-7/8")



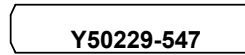
8pc. (459) Plinth FSC
23.8 x 133.4 x 200mm (5/4 x 6 x 7-7/8")



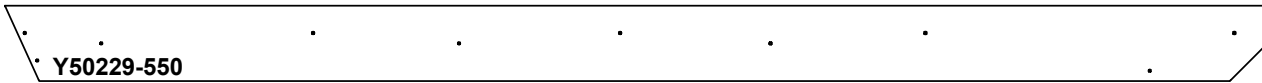
4pc. (545) Rafter Brace FSC 25.4 x 101.6 x 489mm (1 x 4 x 19-1/4")



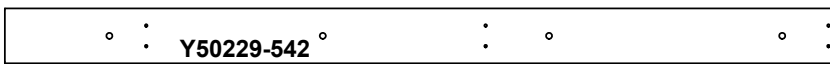
5pc. (547) Tie Brace FSC 31.8 x 88.9 x 454mm
(1 1/4 x 3 1/2 x 17-7/8")



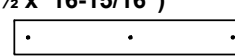
4pc. (550) Fascia FSC 25.4 x 139.7 x 2344.7mm (1 x 5 1/2 x 92-5/16")



2pc. (542) Ridge Short FSC 25.4 x 101.6 x 1541.4mm (1 x 4 x 60-11/16")



4pc. (548) Gable End FSC 38.1 x 63.5 x 430mm
(1 1/2 x 2 1/2 x 16-15/16")



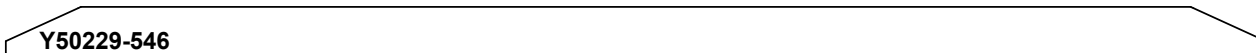
2pc. (541) Ridge Long FSC 25.4 x 101.6 x 2065.3mm (1 x 4 x 81-5/16")



2pc. (549) Gable Inside FSC 38.1 x 63.5 x 2336.8mm (1 1/2 x 2 1/2 x 92")



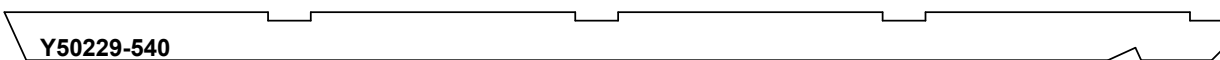
5pc. (546) Tie FSC 31.8 x 88.9 x 2333.6mm (1 1/4 x 3 1/2 x 91-7/8")



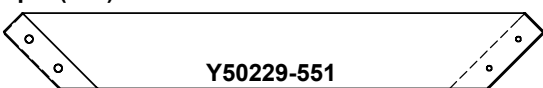
10pc. (539) Rafter A FSC 31.8 x 88.9 x 2272.1mm (1 1/4 x 3 1/2 x 89-29/64")



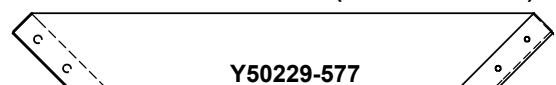
4pc. (540) Rafter B FSC 38.1 x 88.9 x 2272.1mm (1 1/2 x 3 1/2 x 89-29/64")



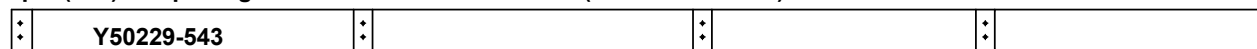
4pc. (551) Left Gusset FSC 38.1 x 139.7 x 1003.3mm (1 1/2 x 5 1/2 x 39 1/2")



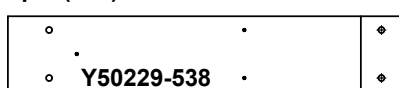
4pc. (577) Right Gusset FSC
38.1 x 139.7 x 1003.3mm (1 1/2 x 5 1/2 x 39 1/2")



8pc. (543) Strap Long FSC 31.8 x 76.2 x 2326.9mm (1 1/4 x 3 x 91-5/8")



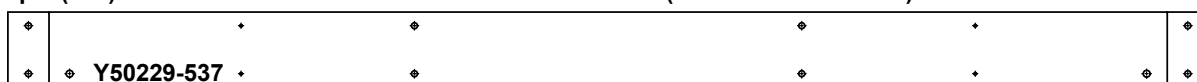
4pc. (538) Side Beam Ends FSC 38.1 x 139.7 x 729.8mm (1 1/2 x 5 1/2 x 28-47/64")



8pc. (544) Strap Short FSC 31.8 x 76.2 x 1279.1mm (1 1/4 x 3 x 50-23/64")

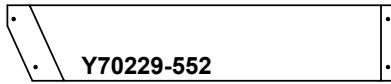


2pc. (537) Side Beam Inside FSC 38.1 x 139.7 x 2223.4mm (1 1/2 x 5 1/2 x 87-35/64")



Part Identification (Dimensions are approximate and are shown to assist in the identification of parts for assembly. Actual dimensions may be smaller or larger.)

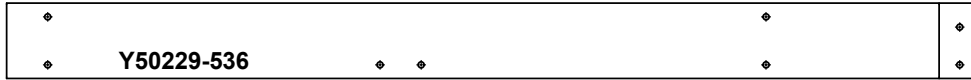
2pc. (552) Gable Upright Assembly Right FSC 76.2 x 139.7 x 717.4mm (3 x 5½ x 28¼")



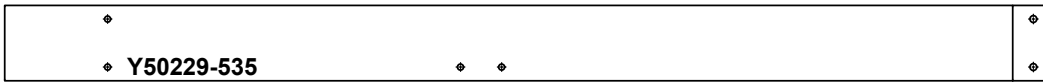
2pc. (553) Gable Upright Assembly Left FSC 76.2 x 139.7 x 717.4mm (3 x 5½ x 28¼")



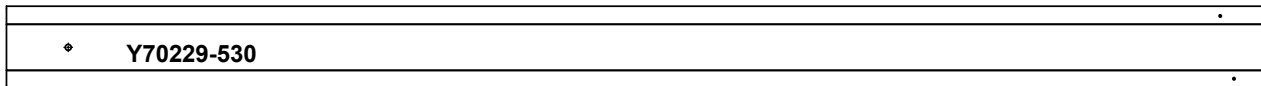
4pc. (536) Side Beam Outside FSC 38.1 x 139.7 x 1803.4mm (1½ x 5½ x 71")



4pc. (535) Gable Beam FSC 38.1 x 139.7 x 1943.1mm (1½ x 5½ x 76½")

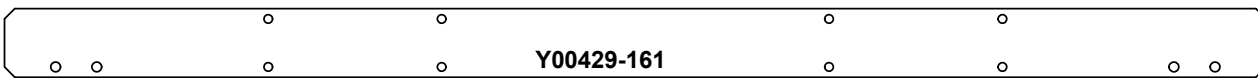


4pc. (530) 6 x 9 Post FSC 152.4 x 228.6 x 2336.8mm (6 x 9 x 92")

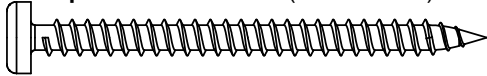


NOTE: Parts have been packed inside (530) 6 x 9 Post. Check for parts inside the posts.

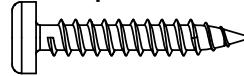
2pc. Beam Insert 2.7 x 127 x 2336.8mm (7/64 x 5 x 92")



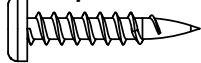
10pc. #10 x 2-1/2" - (Y06491-722) Pan Screw



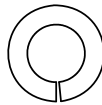
116pc. #10 x 1-1/4" (Y06491-711) Pan Screw



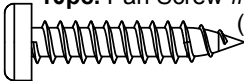
70pc. #8 x 1" (Y06491-510) Pan Screw



52pc. 5/16" (Y05318-300) Lock Washer



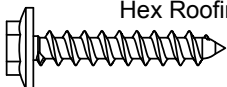
10pc. Pan Screw #12 x 1-1/4" (Y06491-611)



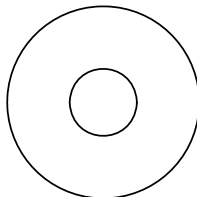
20pc. 1/4" (Y08318-203) Lock Nut



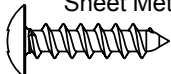
202pc. #8x 1" (Y06730-510) Hex Roofing Screw



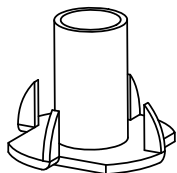
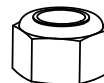
16pc. 3/8 x 1¼" (Y05118-811) Large Washer



4pc. #8x3/4" - (Y06430-503) Sheet Metal Screw

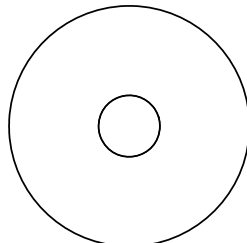


8pc. 3/8" (Y08318-803) Lock Nut



52pc. 5/16" (Y08518-300) T-Nut

116pc. 1/4 - 5/16 x 1¼" (Y05118-311) Large Washer



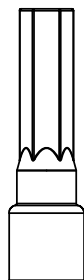
1pc. 1/8" (Y00400-002) Drill Bit



1pc. #2 x 2" (Y00400-005) Robertson Driver

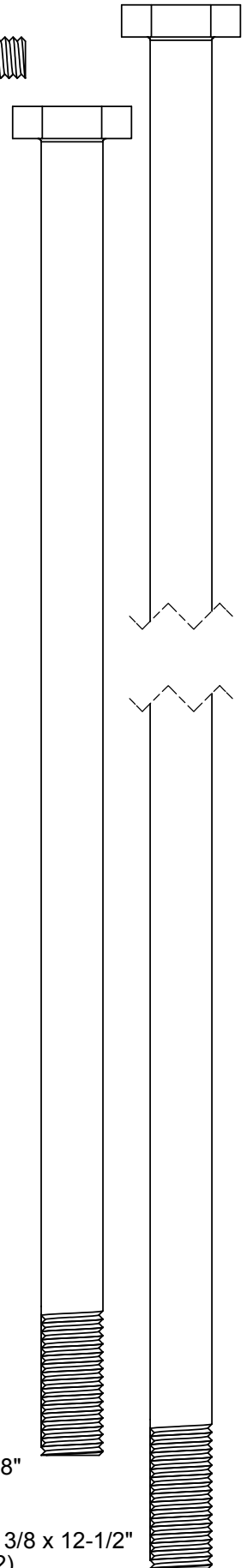
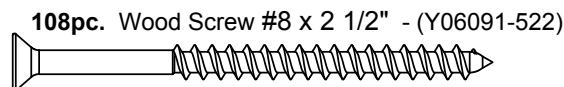
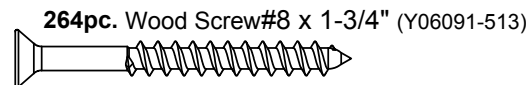
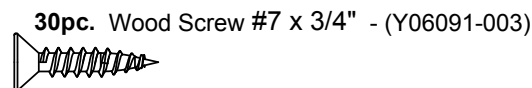
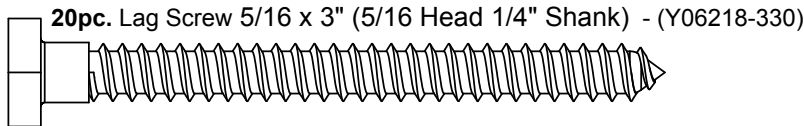
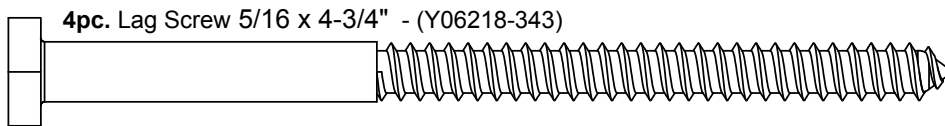
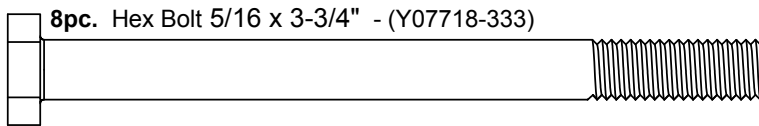
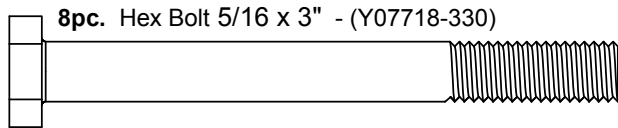
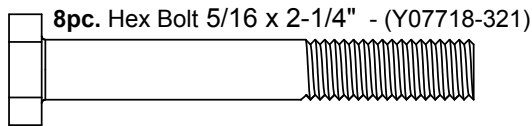
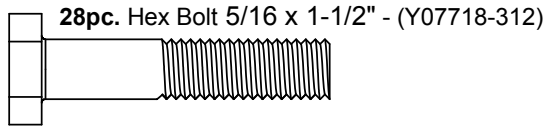
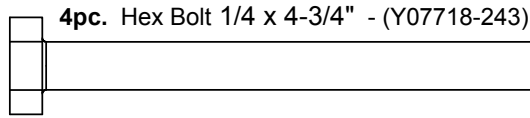
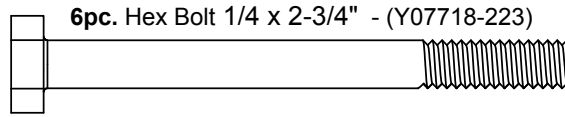
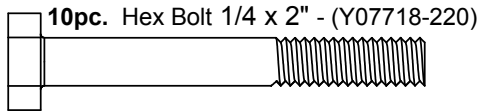


1pc. Hex Driver (Y00400-004)



Hardware Identification

Dimensions are approximate and are shown to assist in the identification of parts for assembly. Actual dimensions may be smaller or larger.



4pc. Hex Bolt 3/8 x 8" (Y07718-880)

4pc. Hex Bolt 3/8 x 12-1/2" (Y07718-822)

Hardware Identification (Dimensions are approximate and are shown to assist in the identification of parts for assembly. Actual dimensions may be smaller or larger.)

6pc. Main Panel - Y01030-173

2pc. Right Side Panel - Y01030-174

1pc. 12 x 14 Pavilion Roof Set Y70830-173

2pc. Ridge Cap Short 27.5 (Y01030-167)

4pc. Ridge Clip Short 27.5 (Y01030-168)

2pc. Roof Edge Left (Y01030-152)

2pc. Roof Edge Right 75.2 (Y01030-169)

1pc. Ridge Cap 91 (Y01030-117)

2pc. Ridge Clip (Y01030-114)

1pc. Gazebo ID Plaque (Y70800-104)

1pc. Weather Seal - Y70818-171 Ridge Clip (6PK)

1pc. Corner Bracket (Y00419-160)

1pc. - Post Mount 9" (8Pk) (Y70829-122)

1pc. Jamb Mount Bracket Set (10Pk) (Y70819-157)

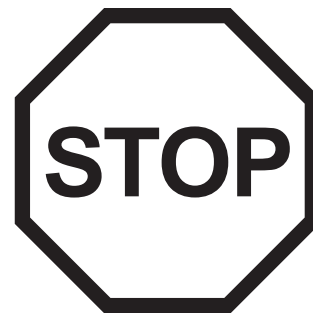
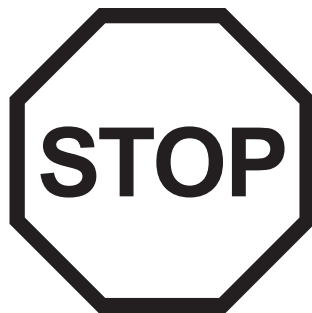
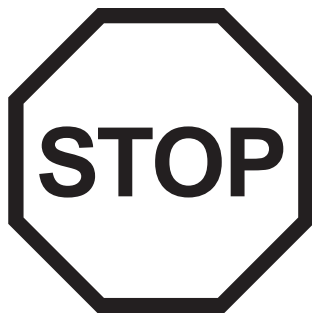
1pc. Tie Centre Bracket Set (4Pk) (Y70819-107)

2pc. Tie Wrap Bracket Set (4Pk) (Y70829-106)

1pc. Tie Wrap Bracket Set (2Pk) (Y70829-163)

1pc. Rafter To Beam Bracket (10Pk) (Y70819-175)

Step 1: Inventory Parts - Read This Before Starting Assembly



- A.** This is the time for you to inventory all your hardware, wood and accessories, referencing the parts identification sheets. This will assist you with your assembly.
- Each step indicates which bolts and/or screws you will need for assembly, as well as any flat washers, lock washers, t-nuts or lock nuts.
- B.** If there are any missing or damaged pieces or you need assistance with assembly please contact the consumer relations department directly. Call us before going back to the store.

1-888-509-4382

support@yardistrystructures.com

- C.** Read the assembly manual completely, paying special attention to ANSI warnings; notes; and safety/maintenance information on pages 1 - 4.
- Follow the instructions in order.
 - This structure is designed to be assembled and installed ideally by four people, DO NOT attempt to install alone.
 - Consider the slope of elevation where you plan to install the structure. Also, check for gas, telephone, other utilities or sprinkler line locations prior to excavating any holes.
- D.** Before you discard your cartons fill out the form below.
- The carton I.D. stamp is located on the end of each carton.
 - Please retain this information for future reference. You will need this information if you contact the Consumer Relations Department.

PRODUCT NUMBER: YM12949

CARTON I.D. STAMP: _ _ _ _ _ (Box 1)

CARTON I.D. STAMP: _ _ _ _ _ (Box 2)

CARTON I.D. STAMP: _ _ _ _ _ (Box 3)

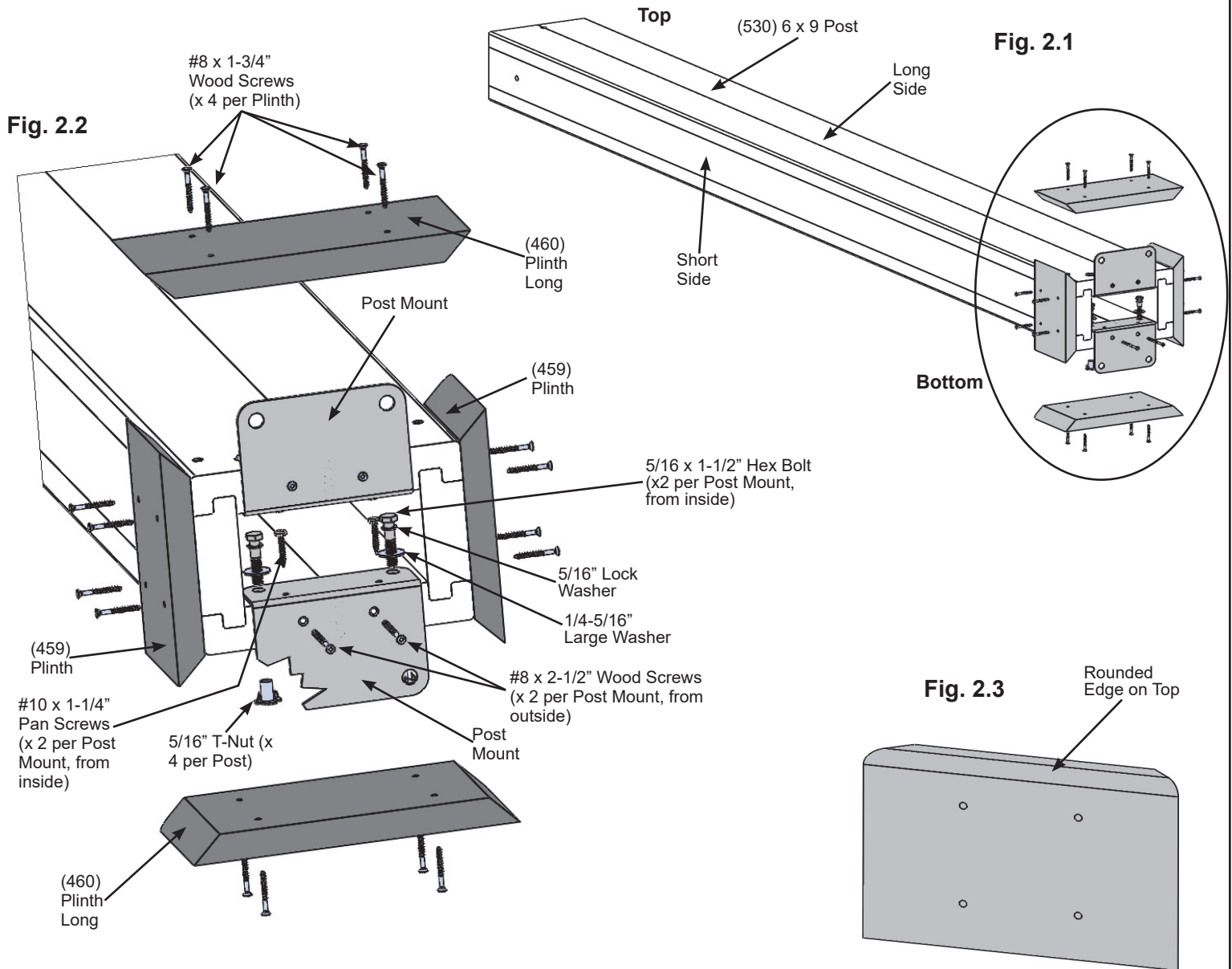
Step 2: Post Assemblies

A: At the bottom of one (530) 6 x 9 Post insert two 5/16" T-Nuts on the outside of each long side. (fig. 2.2)

B: At the bottom of the same (530) 6 x 9 Post place two Post Mounts tight to the bottom and inside faces on the long sides as shown in fig. 2.1 and 2.2. Loosely attach with two 5/16 x 1-1/2" Hex Bolt (with 5/16" lock washer and 1/4-5/16" large washer) per mount so they connect to the T-Nuts. From the bottom attach with two #8 x 2-1/2" Wood Screws and two #10 x 1-1/4" Pan Screws per mount. Tighten bolts.

C: Flush to the bottom of (530) 6 x 9 Post place one (460) Plinth Long on each long side and one (459) Plinth on each short side and attach with four #8 x 1-3/4" Wood Screws per plinth. Rounded edges on top. (fig. 2.1, 2.2 and 2.3)

D: Repeat Steps A - C three more times to make four Post Assemblies.



Wood Parts

4 x (530) 6 x 9 Post 152.4 x 228.6 x 2336.8 mm (6 x 9 x 92")
 8 x (459) Plinth 23.8 x 133.4 x 200 mm (5/4 x 6 x 7-7/8")
 8 x (460) Plinth Long 23.8 x 133.4 x 276.2 mm (5/4 x 6 x 10-7/8")

Hardware

16 x #8 x 2-1/2" Wood Screw
 64 x #8 x 1-3/4" Wood Screw
 16 x #10 x 1-1/4" Pan Screw
 8 x Post Mount
 16 x 5/16" T-Nut
 16 x 5/16 x 1-1/2" Hex Bolt
 (with 5/16" lock washer, 1/4-5/16" large washer)

Step 3: Gable Beam Assembly

A: Connect one (535) Gable Beam to a second (535) Gable Beam using two 5/16 x 1-1/2" Hex Bolts (with 5/16" lock washer, 1/4-5/16" large washer and 5/16" t-nut) as shown in fig. 3.1 and 3.2.

B: Repeat Step A one more time to make two Gable Beam Assemblies.

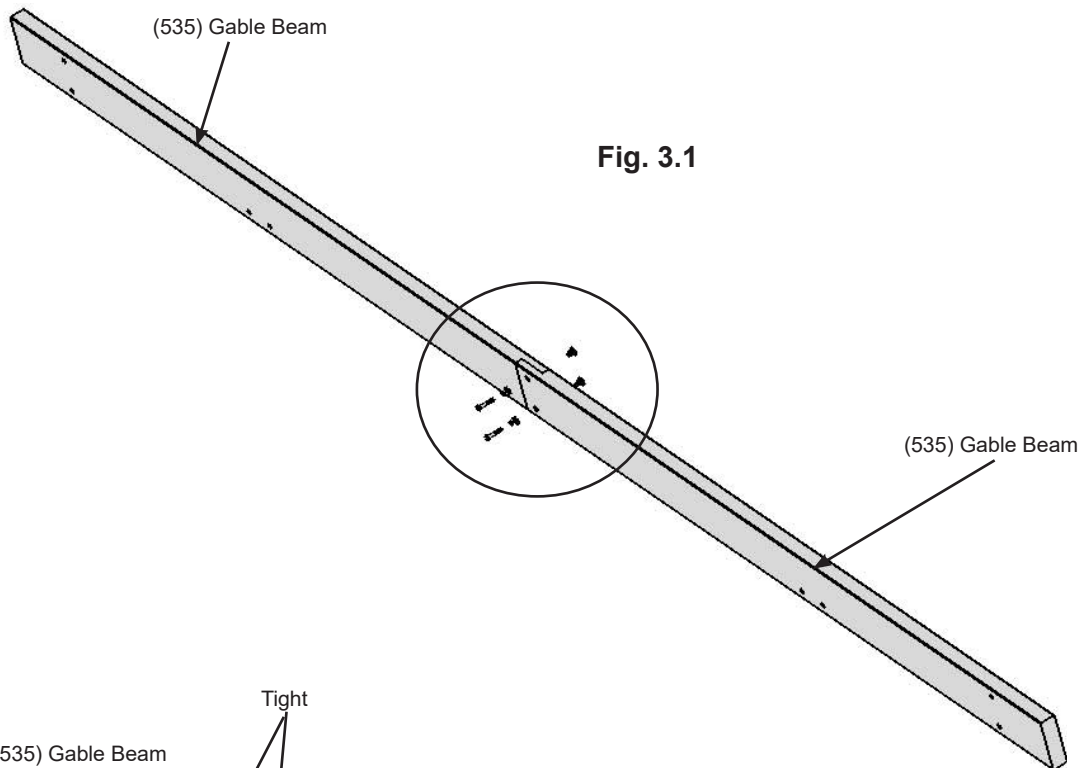
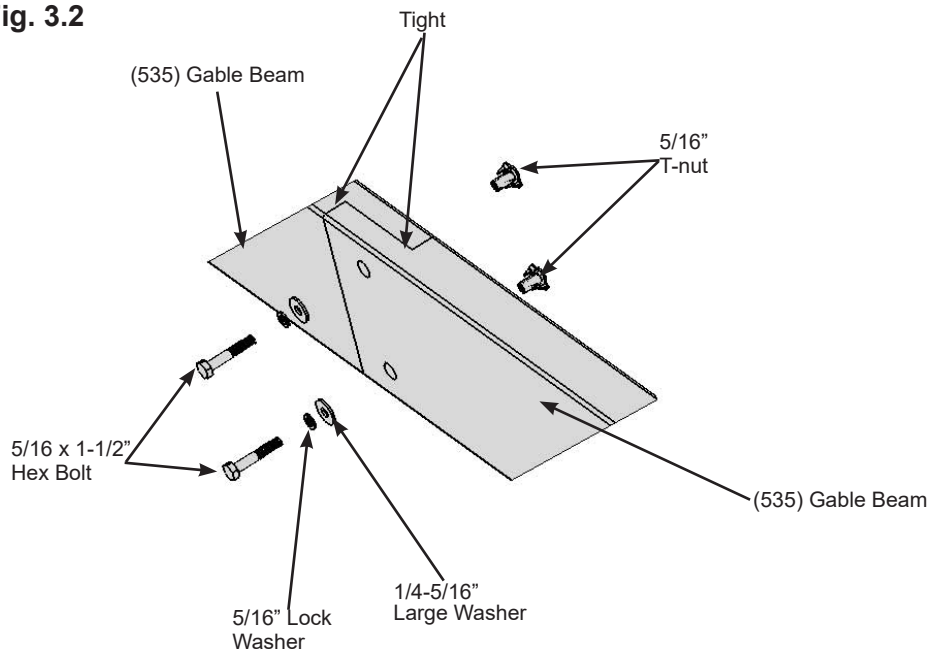


Fig. 3.2



Wood Parts

4 x (535) Gable Beam 38.1 x 139.7 x 1943.1 mm (1-1/2 x 5-1/2 x 76-1/2")

Hardware

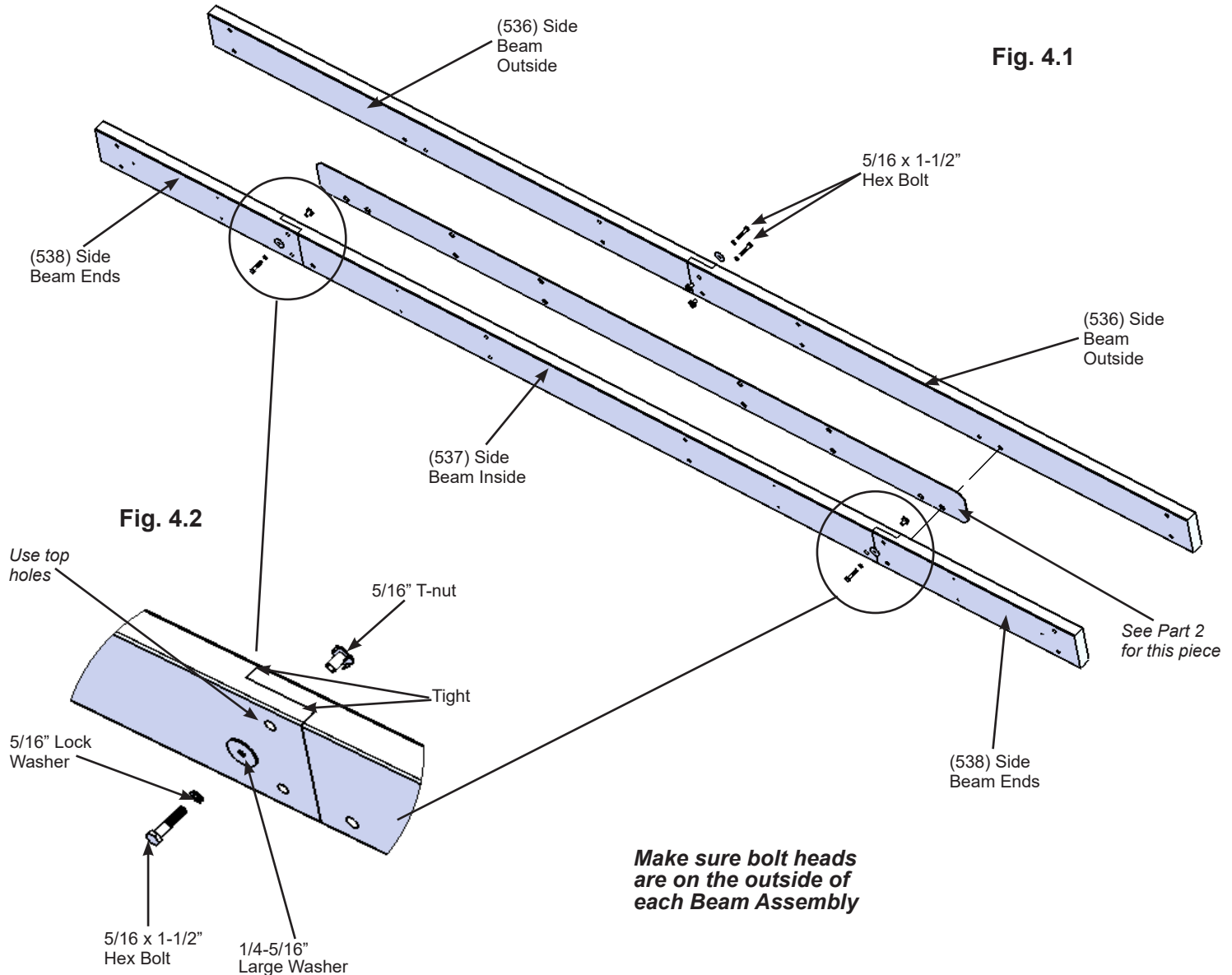
4 x 5/16 x 1-1/2" Hex Bolt
(5/16" lock washer, 1/4-5/16" large washer, 5/16" t-nut)

Step 4: Side Beam Assembly Part 1

A: Connect one (536) Side Beam Outside to a second (536) Side Beam Outside using two 5/16 x 1-1/2" Hex Bolts (with 5/16" lock washer, 1/4-5/16" large washer and 5/16" t-nut) as shown in fig. 4.1.

B: Connect one (538) Side Beam End to each end of one (537) Side Beam Inside using one 5/16 x 1-1/2" Hex Bolts (with 5/16" lock washer, 1/4-5/16" large washer and 5/16" t-nut) in the top holes per end as shown in fig. 4.1 and 4.2.

C: Repeat Steps A and B one more time to make two Side Beam Outside Assemblies and two Side Beam Inside Assemblies.



Wood Parts

- 4 x (536) Side Beam Outside 38.1 x 139.7 x 1803.4 mm (1-1/2 x 5-1/2 x 71")
- 2 x (537) Side Beam Inside 38.1 x 139.7 x 2223.4 mm (1-1/2 x 5-1/2 x 87-35-64")
- 4 x (538) Side Beam Ends 38.1 x 139.7 x 729.8 mm (1-1/2 x 5-1/2 x 28-47/64")

Hardware

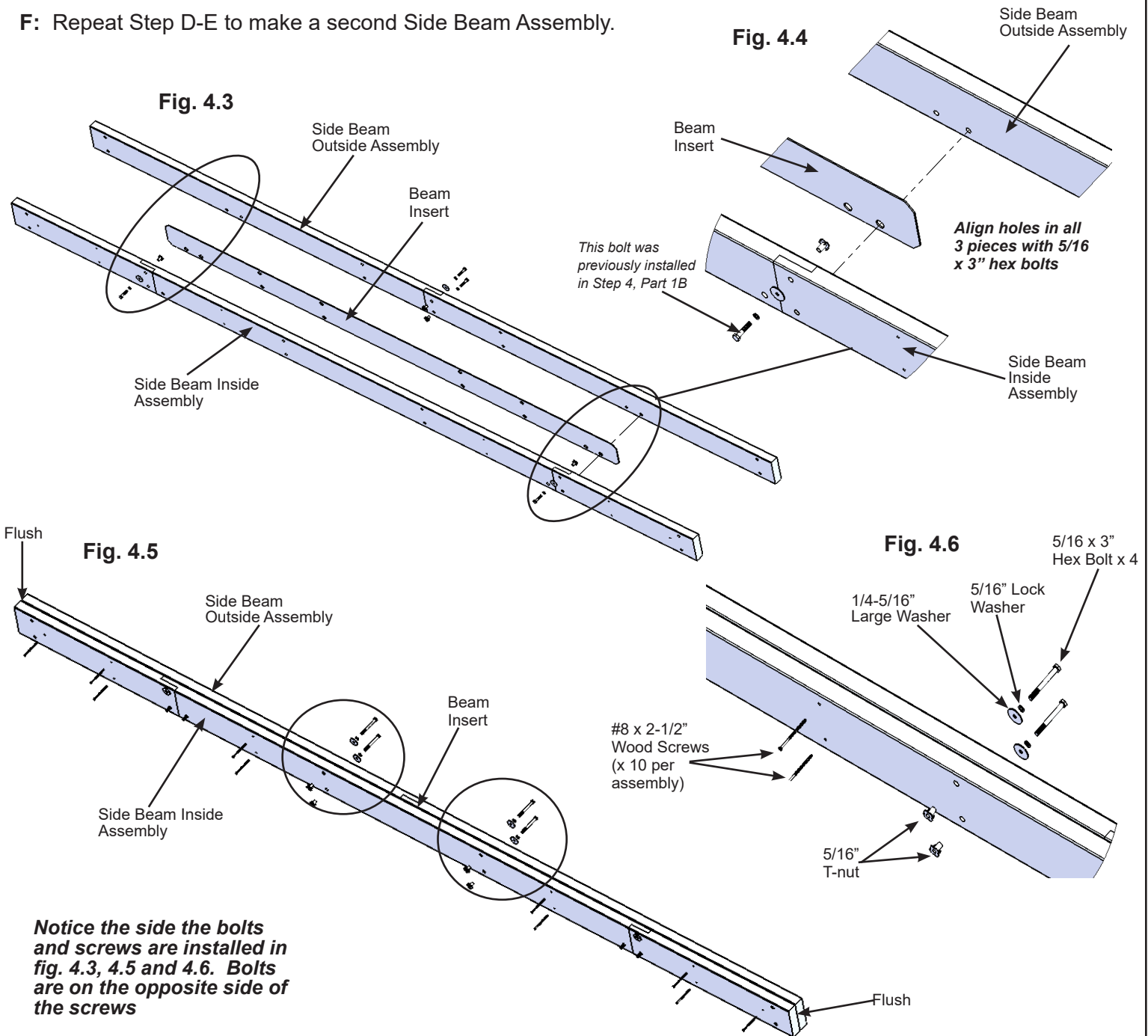
- 8 x 5/16 x 1-1/2" Hex Bolt (5/16" lock washer, 1/4-5/16" large washer, 5/16" t-nut)

Step 4: Side Beam Assembly Part 2

D: Place one Beam Insert in between one Side Beam Outside Assembly and one Side Beam Inside Assembly then fit tight together so the beam assembly ends are flush. Match the bolt holes and wood screw pilot holes in both beam assemblies and Beam Insert. (fig. 4.3, 4.4 and 4.5)

E: Attach beam assemblies and Beam Insert together with four 5/16 x 3" Hex Bolts (with 5/16" lock washer, 1/4-5/16" large washer and 5/16" t-nut) and ten #8 x 2-1/2" Wood Screws. (fig. 4.5 and 4.6)

F: Repeat Step D-E to make a second Side Beam Assembly.



Components:

2 x Beam Insert

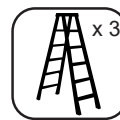
Hardware

20 x #8 x 2-1/2" Wood Screw

8 x 5/16 x 3" Hex Bolt

(5/16" lock washer, 1/4-5/16" large washer, 5/16" t-nut)

Step 5: Frame Assembly and Anchoring Part 1



A: Move your Post Assemblies to the final location. Make sure the ground is flat and level before continuing assembly.

B: With one person at each Post stand two complete Post Assemblies. A third person places one Side Beam Assembly against the outside of two Posts, flush to the tops and outside corners. Notice bolt hole orientation on the Side Beam Assembly and the short side of the Post Assembly is along the Side Beam Assembly. A fourth person attaches Beam to Post with one 3/8 x 12-1/2" Hex Bolt (with two 3/8" large washers and one 3/8" lock nut) per Post. The distance from the outside of one Post to the outside of the second Post should be 11' 7". (fig. 5.1, 5.2 and 5.3)

C: Place one Gable Beam Assembly against the outside of two Posts, flush to the tops and outside corners and tight to Side Beam Assembly. Notice bolt hole orientation on the Gable Beam Assembly and the long side of the Post Assembly is along the Gable Beam Assembly. Attach Beam to Post with one 3/8 x 8" Hex Bolt (with two 3/8" large washers and one 3/8" lock nut) per Post. The distance from the outside of one Post to the outside of the second Post should be 12'. Continue until all four Beam Assemblies are attached and the corners are tight together. (fig. 5.1 and 5.2) See fig. 5.3 for accurate positioning of Posts.

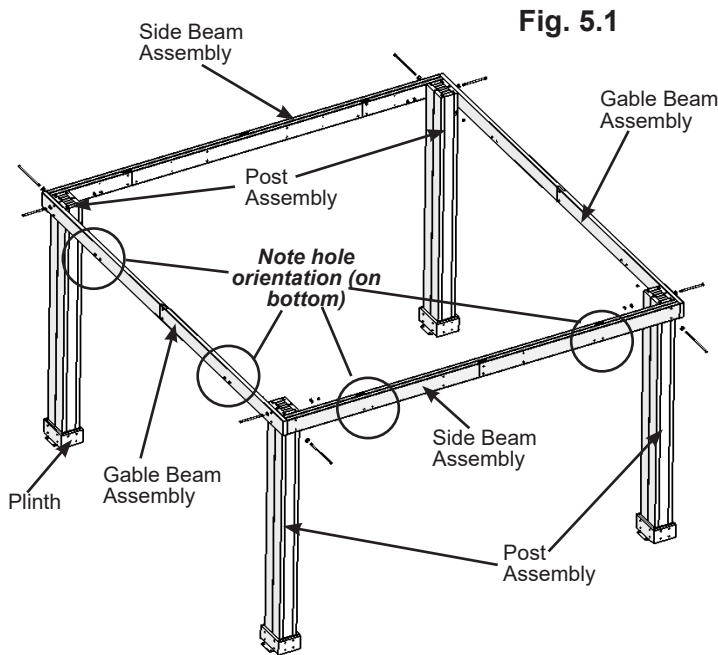


Fig. 5.1

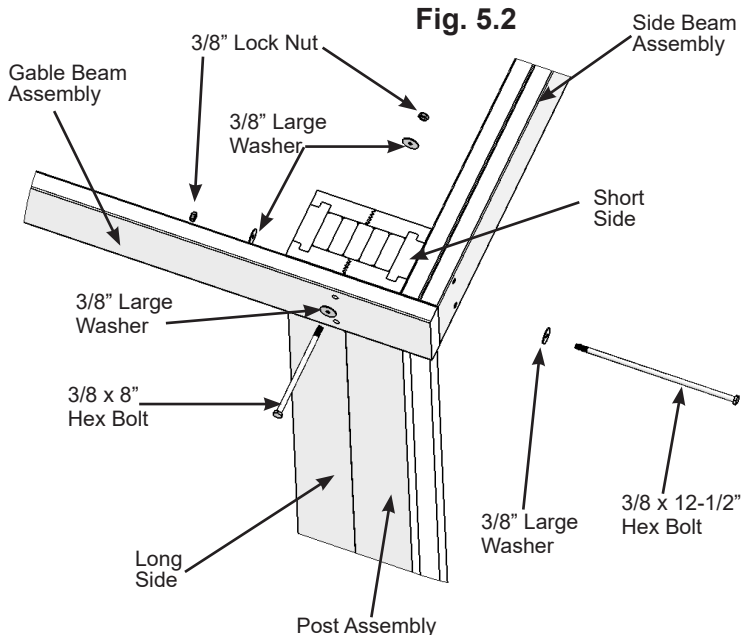


Fig. 5.2

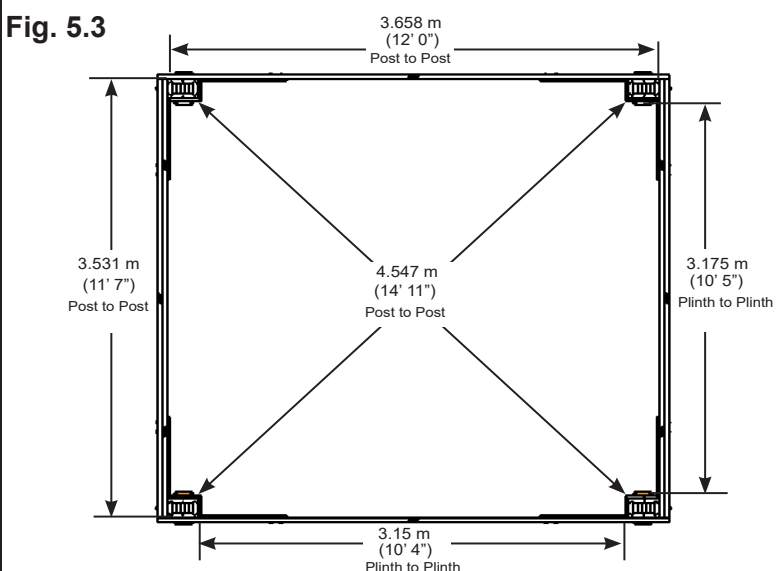


Fig. 5.3

Hardware

- 4 x 3/8 x 8" Hex Bolt (3/8" large washer x 2, 3/8" lock nut)
- 4 x 3/8 x 12-1/2" Hex Bolt (3/8" large washer x 2, 3/8" lock nut)

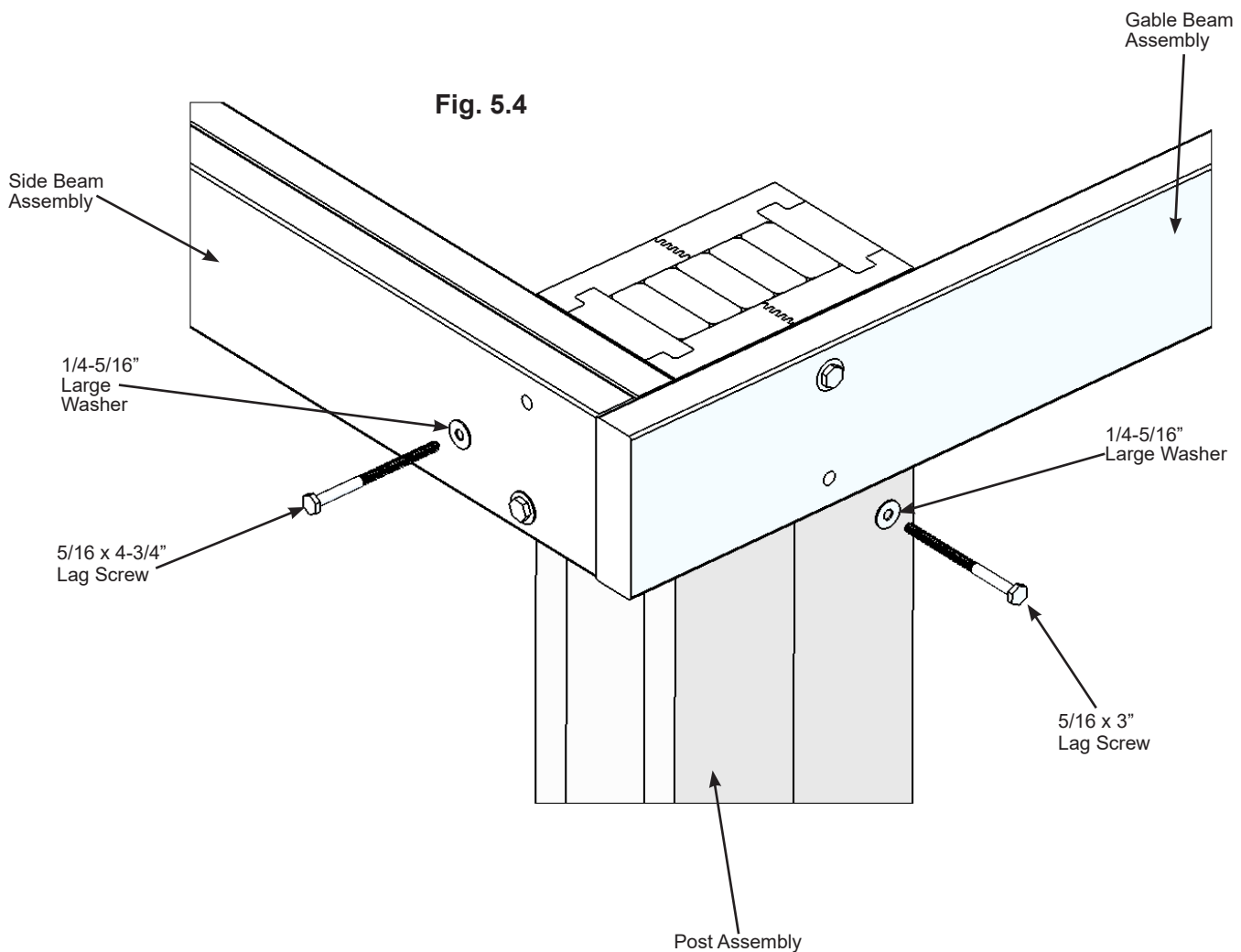
Step 5: Frame Assembly and Anchoring Part 2



E: Make sure each corner is square and level then attach Side Beam Assembly to Post Assemblies with one 5/16 x 4-3/4" Lag Screw (with 1/4-5/16" large washer) per corner and Gable Beam Assembly to Post Assemblies with one 5/16 x 3" Lag Screw (with 1/4-5/16" large washer) per corner as shown below. (fig. 5.4)

F: Depending on what you are placing the Pavilion on will determine how you anchor it to that surface. Please refer to pages 6 and 7 for installation examples.

Any hardware or extra materials for mounting will have to be purchased in advance.

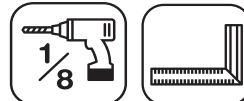


Hardware

4 x 5/16 x 4-3/4" Lag Screw (1/4-5/16" large washer)

4 x 5/16 x 3" Lag Screw (1/4-5/16" large washer)

Step 6: Attach Gussets



Note: The bevelled ends on each gusset should always face away from the wood it is attaching to.

A: Make sure the assembly is still square and level then facing one Side Beam Assembly place one (577) Right Gusset on the right hand side so the top fits tight to the Side Beam Assembly and the bottom fits tight to the Post Assembly. Attach gusset to Side Beam Assembly with two 5/16 x 3-3/4" Hex Bolts (with 5/16" lock washer, 1/4-5/16" large washer and 5/16" t-nut). Pre-drill with a 1/8" drill bit then attach gusset to Post Assembly with two 5/16 x 3" Lag Screws (with 1/4-5/16" large washer). Repeat for the left hand side with one (551) Left Gusset. (fig. 6.1 and 6.2)

B: Repeat Step A for Gable Beam Assembly using two 5/16 x 2-1/4" Hex Bolts (with 5/16" lock washer, 1/4-5/16" large washer and 5/16" t-nut) to attach gussets to Gable Beam Assembly. (fig. 6.1 and 6.2)

C: Repeat Steps A and B so all 8 gussets are attached. (fig. 6.1 and 6.2)

Fig. 6.1

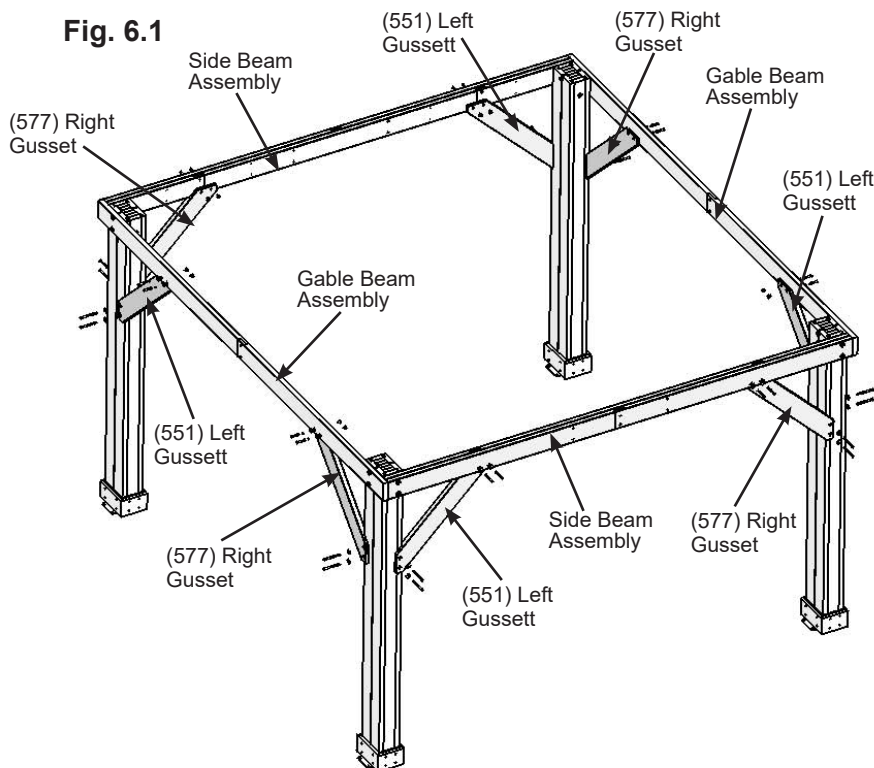
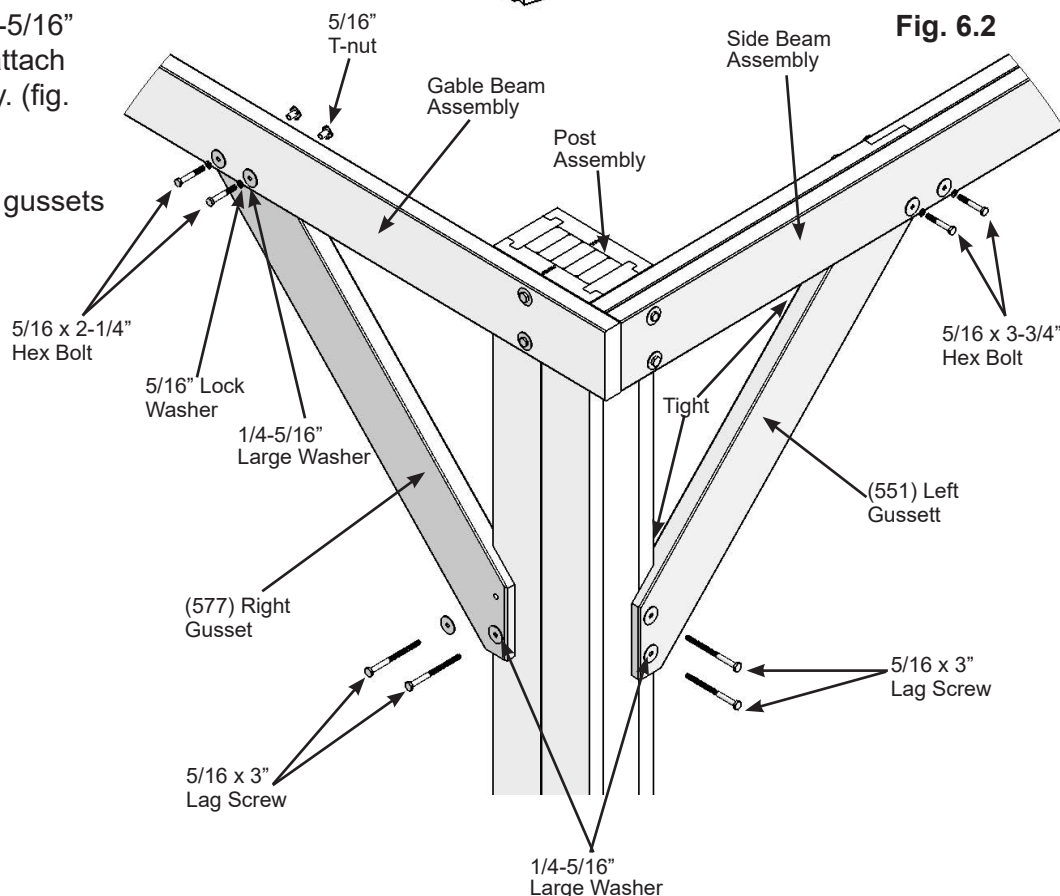


Fig. 6.2



Wood Parts

- 4 x (577) Right Gusset 38.1 x 139.7 x 1003.3 mm (1-1/2 x 5-1/2 x 39-1/2")
- 4 x (551) Left Gusset 38.1 x 139.7 x 1003.3 mm (1-1/2 x 5-1/2 x 39-1/2")

Hardware

- 16 x 5/16 x 3" Lag Screw (1/4-5/16" large washer)
- 8 x 5/16 x 3-3/4" Hex Bolt (5/16" lock washer, 1/4-5/16" large washer, 5/16" t-nut)
- 8 x 5/16 x 2-1/4" Hex Bolt (5/16" lock washer, 1/4-5/16" large washer, 5/16" t-nut)

Step 7: Gable Frame Assembly Part 1



A: Place one (549) Gable Inside against one Gable Beam Assembly, on the inside, tight to the top of (551) Left Gusset and (577) Right Gusset. The ends of (549) Gable Inside measures 17" from the Post Assemblies. Attach (549) Gable Inside to Gable Beam Assembly with eight #8 x 2-1/2" Wood Screws. (fig. 7.1, 7.2 and 7.3)

B: Repeat Step A for the other Gable Beam Assembly.

Fig. 7.1

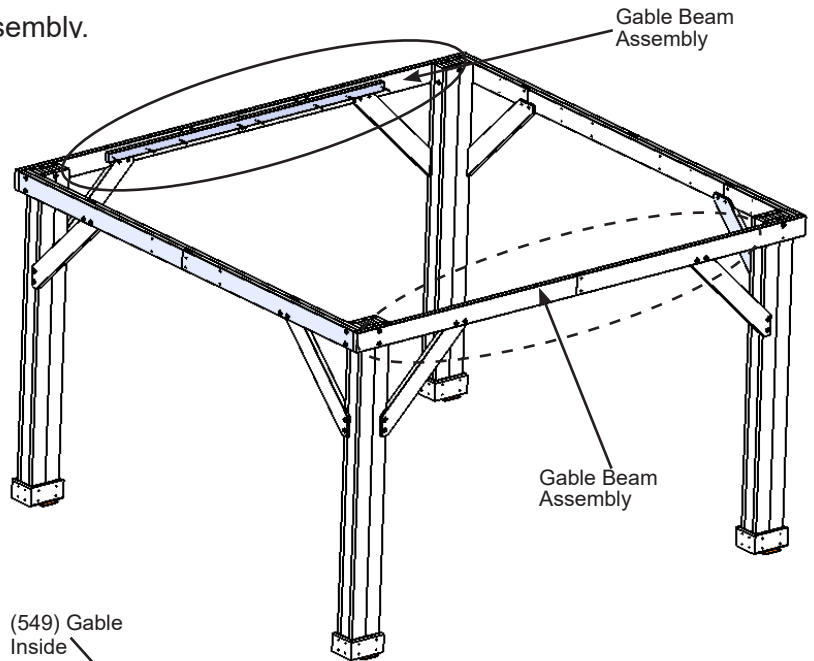


Fig. 7.2

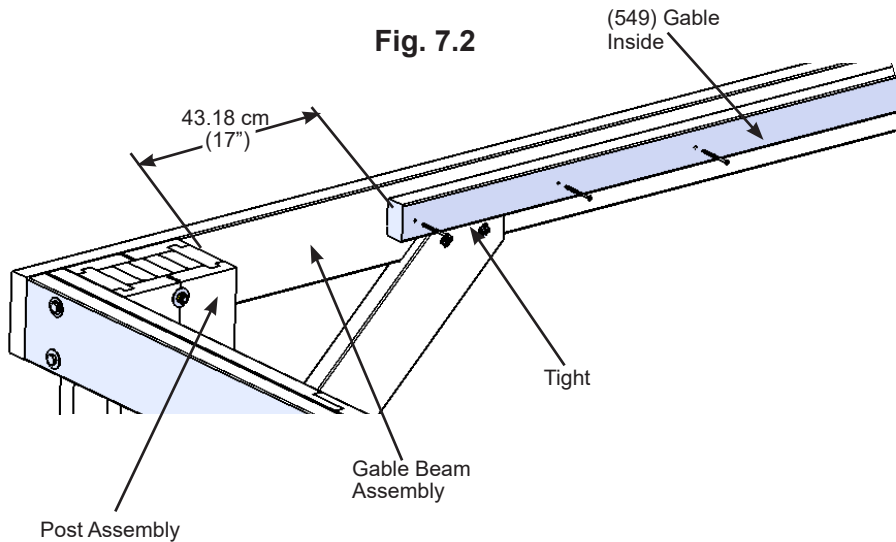
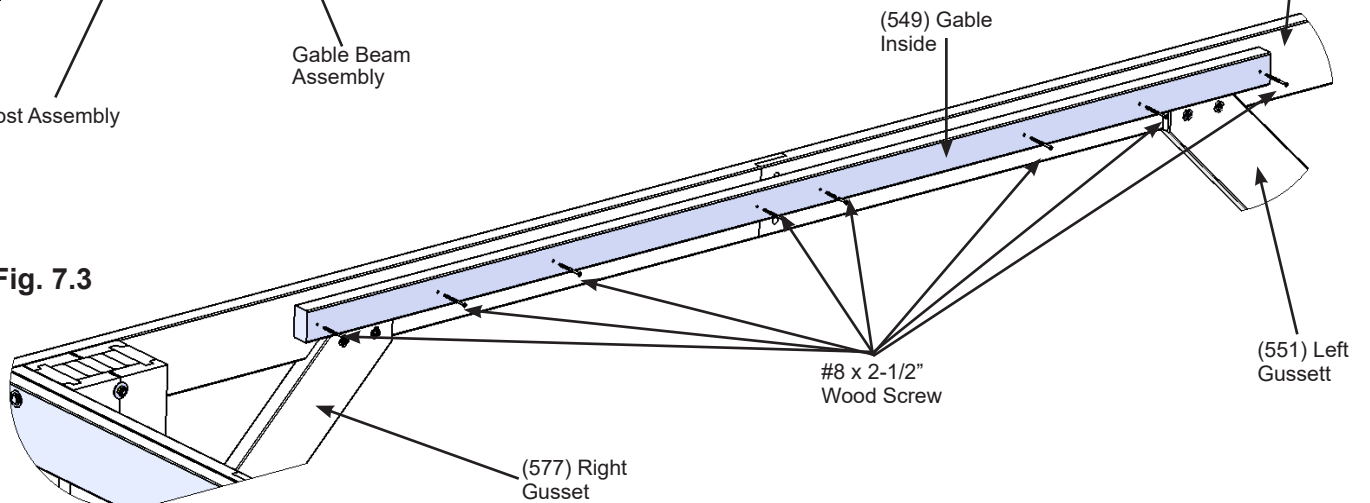


Fig. 7.3



Wood Parts

2 x (549) Gable Inside 38.1 x 63.5 x 2336.8 mm (1-1/2 x 2-1/2 x 92")

Hardware

16 x #8 x 2-1/2" Wood Screw

Step 7: Gable Frame Assembly Part 2

C: Tight to each end of one (549) Gable Inside attach one (548) Gable End to Gable Beam Assembly with three #8 x 2-1/2" Wood Screws. (548) Gable End should be flush to the top of (549) Gable Inside. (fig. 7.4 and 7.5)

D: Repeat Step C for the other Gable Beam Assembly.

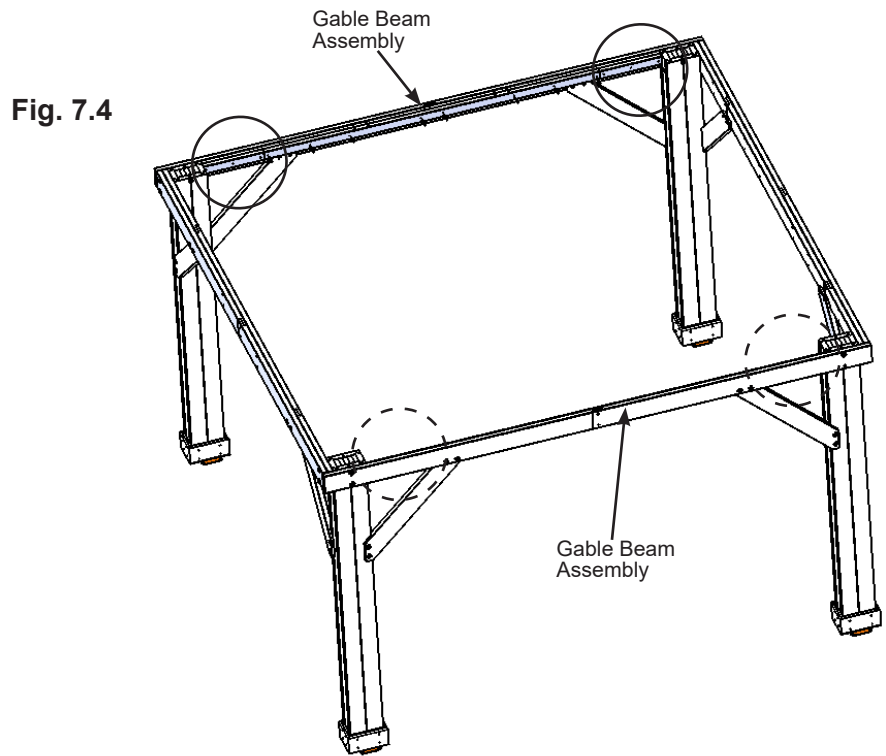
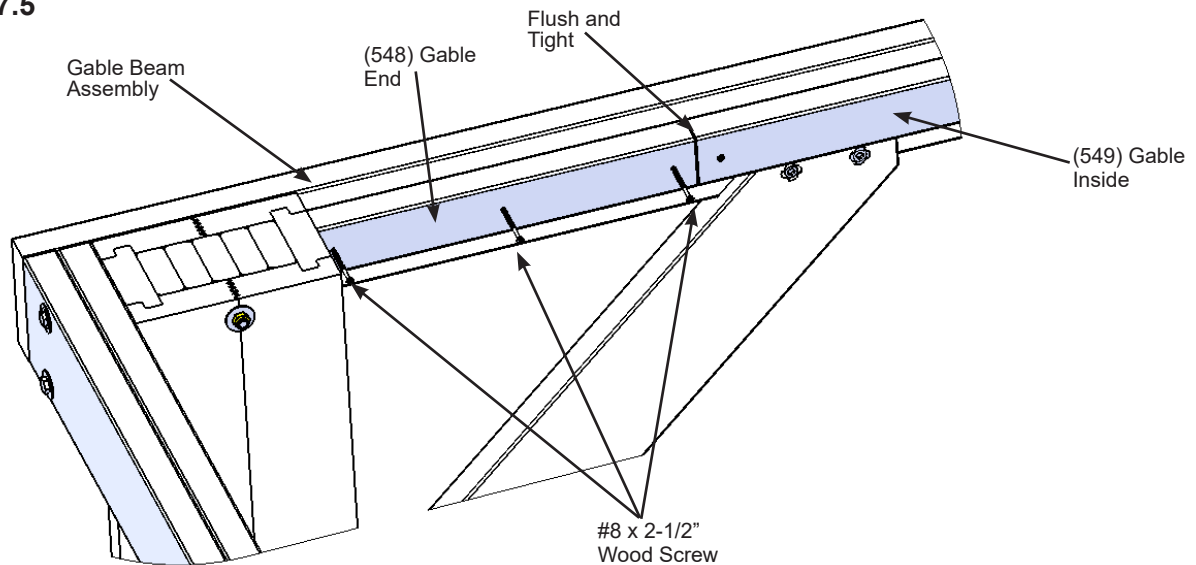


Fig. 7.5



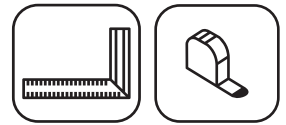
Wood Parts

4 x (548) Gable End 38.1 x 63.5 x 430 mm (1-1/2 x 2-1/2 x 16-15/16")

Hardware

12 x #8 x 2-1/2" Wood Screw

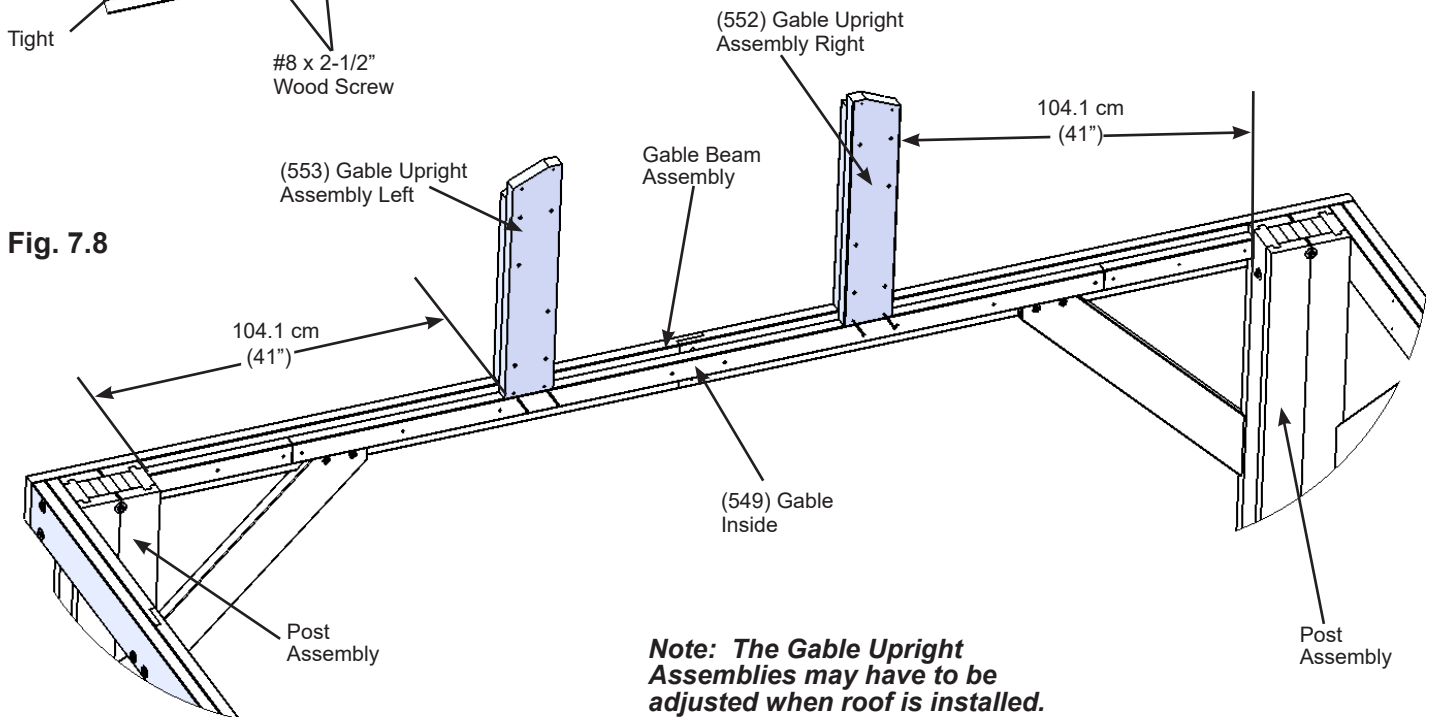
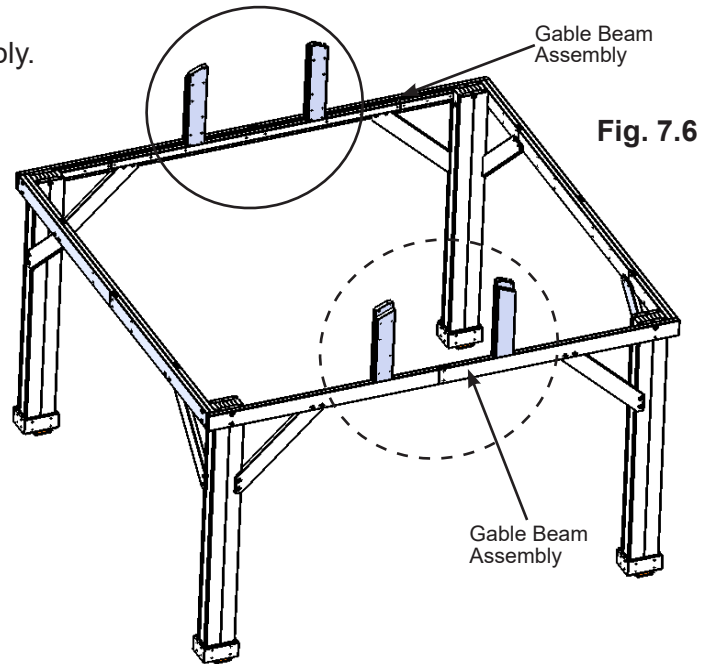
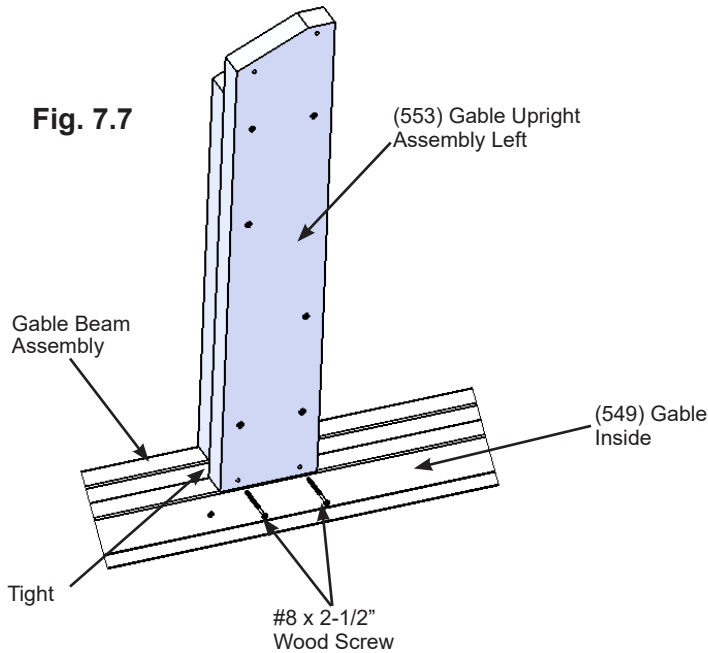
Step 7: Gable Frame Assembly Part 3



E: From the inside of the pavilion frame measure 41" from Post Assembly on the left then place one (553) Gable Upright Assembly Left tight to top of (549) Gable Inside and Gable Beam Assembly, make sure it is square then attach with two #8 x 2-1/2" Wood Screws. (fig. 7.6, 7.7 and 7.8)

F: From the inside of the pavilion frame measure 41" from Post Assembly on the right then place one (552) Gable Upright Assembly Right tight to top of (549) Gable Inside and Gable Beam Assembly, make sure it is square then attach with two #8 x 2-1/2" Wood Screws. (fig. 7.6 and 7.8).

G: Repeat Step E and F for the other Gable Beam Assembly.



Wood Parts

- 2 x (552) Gable Upright Assembly Right 76.2 x 139.7 x 717.4 mm (3 x 5-1/2 x 28-1/4")
- 2 x (553) Gable Upright Assembly Left 76.2 x 139.7 x 717.4 mm (3 x 5-1/2 x 28-1/4")

Hardware

- 8 x #8 x 2-1/2" Wood Screw

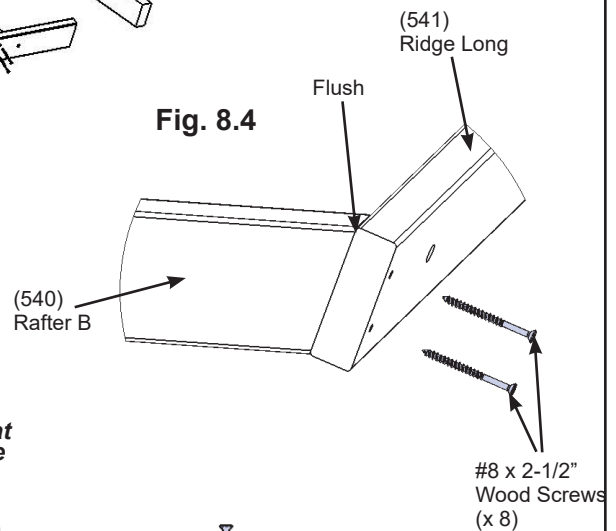
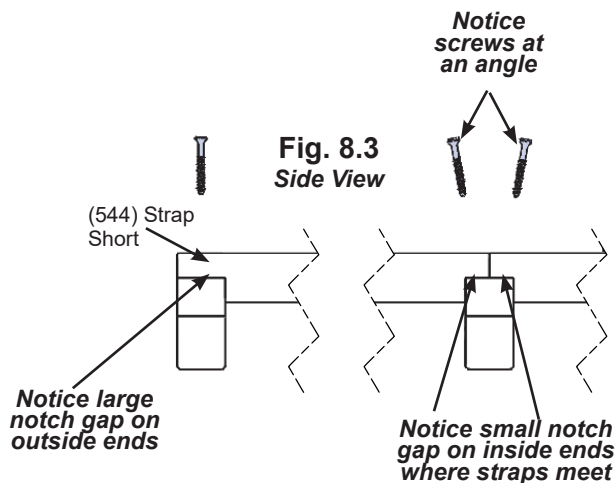
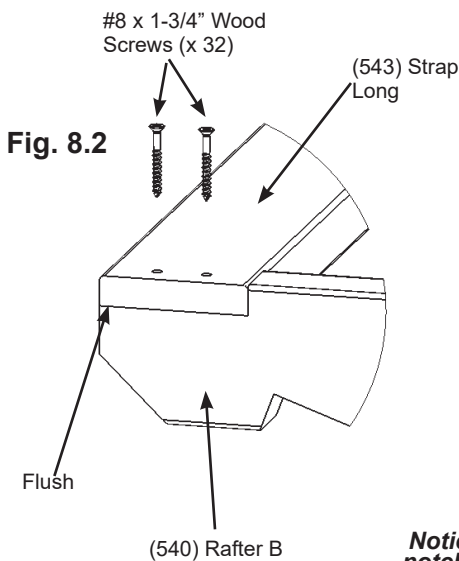
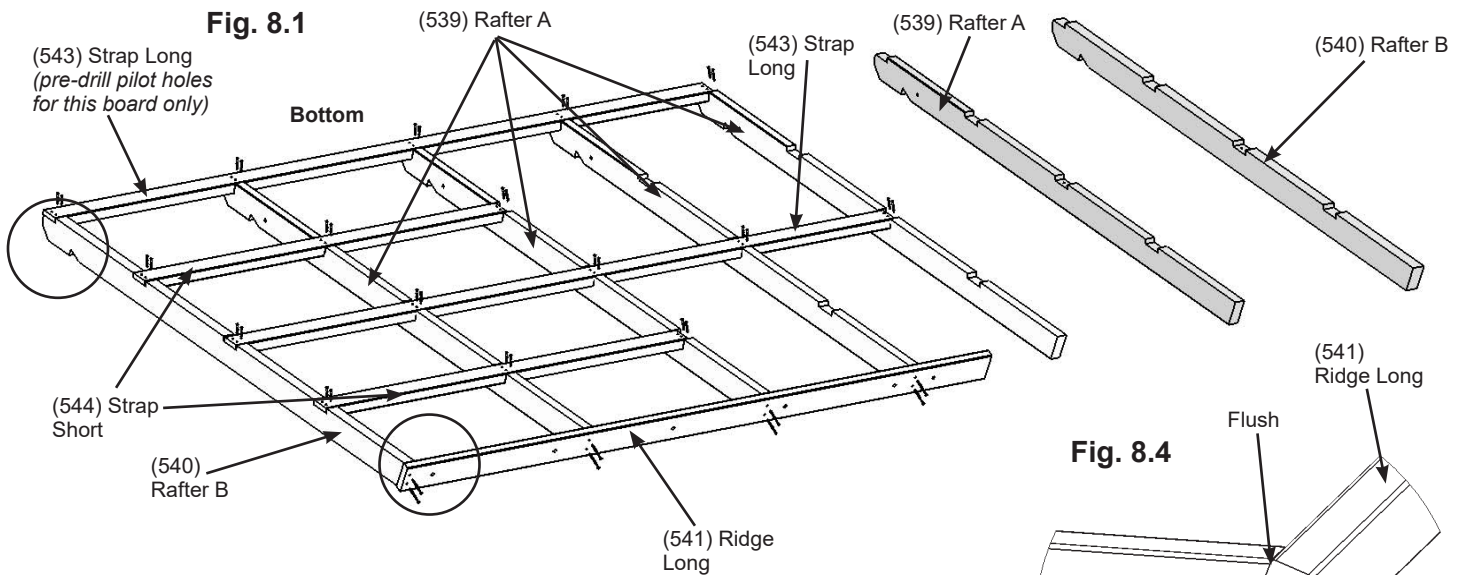
Step 8: Frame Roof Panel Part 1



A: Lay out five (539) Rafter As and two (540) Rafter Bs on a hard flat surface as shown in fig. 8.1. You will need lots of room for this step.

B: Place 1 (543) Strap Long on the bottom of the one (540) Rafter B, flush to the outside edge and four (539) Rafter As, centred on the last. Be sure the wider gap on (543) Strap Long is on (540) Rafter B. Follow by placing one (544) Strap Short then another (543) Strap Long and another (544) Strap Short in the same manner. Make sure the assembly is square, pre-drill the first (543) Strap Long with a 1/8" drill bit as shown below, then attach both (543) Strap Longs with ten #8 x 1-3/4" Wood Screws per board and to both (544) Strap Shorts with six #8 x 1-3/4" Wood Screws per board. The screws on the outside (539) Rafter A are inserted at an angle. (fig. 8.1, 8.2 and 8.3)

C: Place one (541) Ridge Long on the angled ends of the rafters so the outside edges are flush then attach with eight #8 x 2-1/2" Wood Screws. (fig. 8.1 and 8.4)



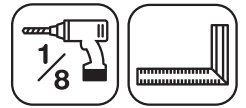
Wood Parts

- 10 x (539) Rafter A 31.8 x 88.9 x 2272.1 mm (1-1/4 x 3-1/2 x 89-29/64")
- 4 x (540) Rafter B 38.1 x 88.9 x 2272.1 mm (1-1/2 x 3-1/2 x 89-29/64")
- 4 x (544) Strap Short 31.8 x 76.2 x 1279.1 mm (1-1/4 x 3 x 50-23/64")
- 4 x (543) Strap Long 31.8 x 76.2 x 2326.9 mm (1-1/4 x 3 x 91-5/8")
- 2 x (541) Ridge Long 25.4 x 101.6 x 2065.3 mm (1 x 4 x 81-5/16")

Hardware

- 64 x #8 x 1-3/4" Wood Screw
- 16 x #8 x 2-1/2" Wood Screw

Step 8: Frame Roof Panel Part 2



D: Tight to each (543) Strap Long place one (544) Strap Short and tight to the first two (544) Strap Shorts place one (543) Strap Long. Make sure the wider gap on each strap is on the outside. Make sure the assembly is square, pre-drill the first (544) Strap Short with a 1/8" drill bit, as shown below, then attach both (544) Strap Shorts with six #8 x 1-3/4" Wood Screws per board and both (543) Strap Longs with ten #8 x 1-3/4" Wood Screws per board. The screws where the straps meet are inserted at an angle. (fig. 8.3 and 8.5)

E: Tight to (541) Ridge Long attach one (542) Ridge Short with six #8 x 2-1/2" Wood Screws. (fig. 8.4 and 8.5)

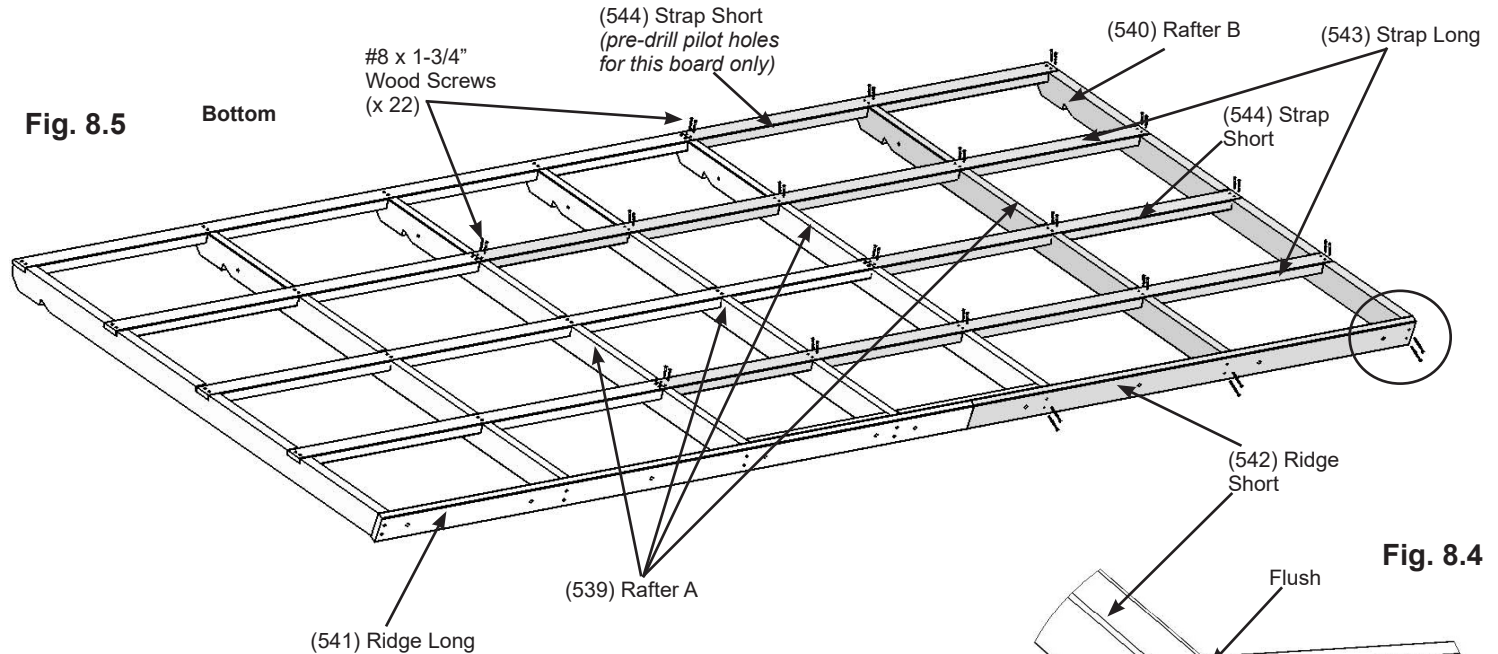


Fig. 8.5

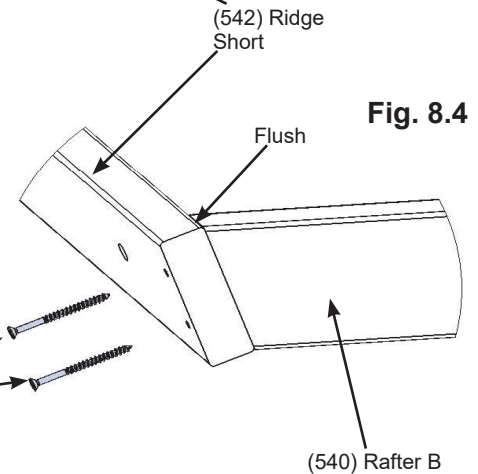


Fig. 8.4

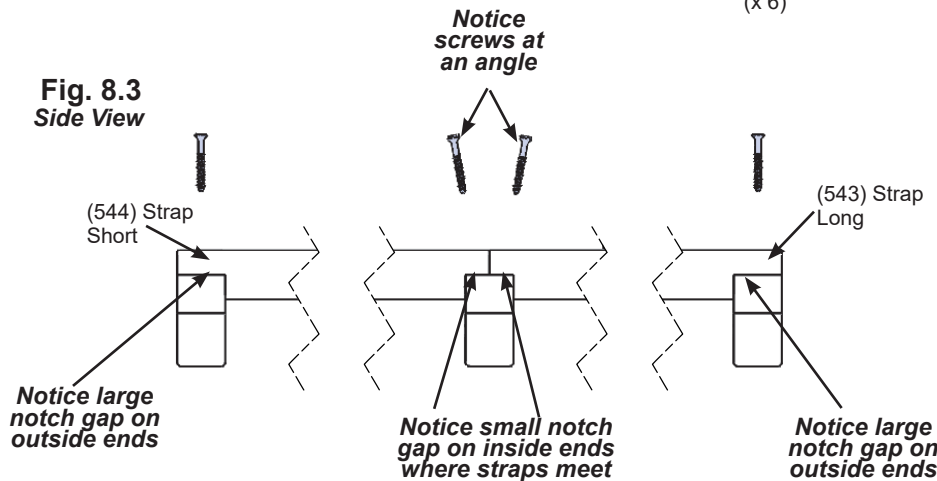


Fig. 8.3
Side View

Wood Parts

- 4 x (544) Strap Short 31.8 x 76.2 x 1279.1 mm (1-1/4 x 3 x 50-23/64")
- 4 x (543) Strap Long 31.8 x 76.2 x 2326.9 mm (1-1/4 x 3 x 91-5/8")
- 2 x (542) Ridge Short 25.4 x 101.6 x 1541.4 mm (1 x 4 x 60-11/16")

Hardware

- 64 x #8 x 1-3/4" Wood Screw
- 12 x #8 x 2-1/2" Wood Screw

Step 8: Frame Roof Panel Part 3



F: Make sure frame is square. Measurements to be as shown in fig. 8.6.

G: In the two middle gaps between (539) Rafter As place one (545) Rafter Brace flush to the top of (542) Ridge Short and (541) Ridge Long. Use two 1/4 x 4-3/4" Hex Bolts per brace as a guide to line up the bolt holes. Attach (545) Rafter Braces to (541) Ridge Long and (542) Ridge Short with eight #8 x 1-3/4" Wood Screws per brace. Remove each Hex Bolt as they will be used in a later step and not installed here. *Note: Angle is at the top of (545) Rafter Brace* (fig. 8.6 and 8.7)

H: Repeat Steps A - G to create a second Roof Panel Frame.

Fig. 8.7

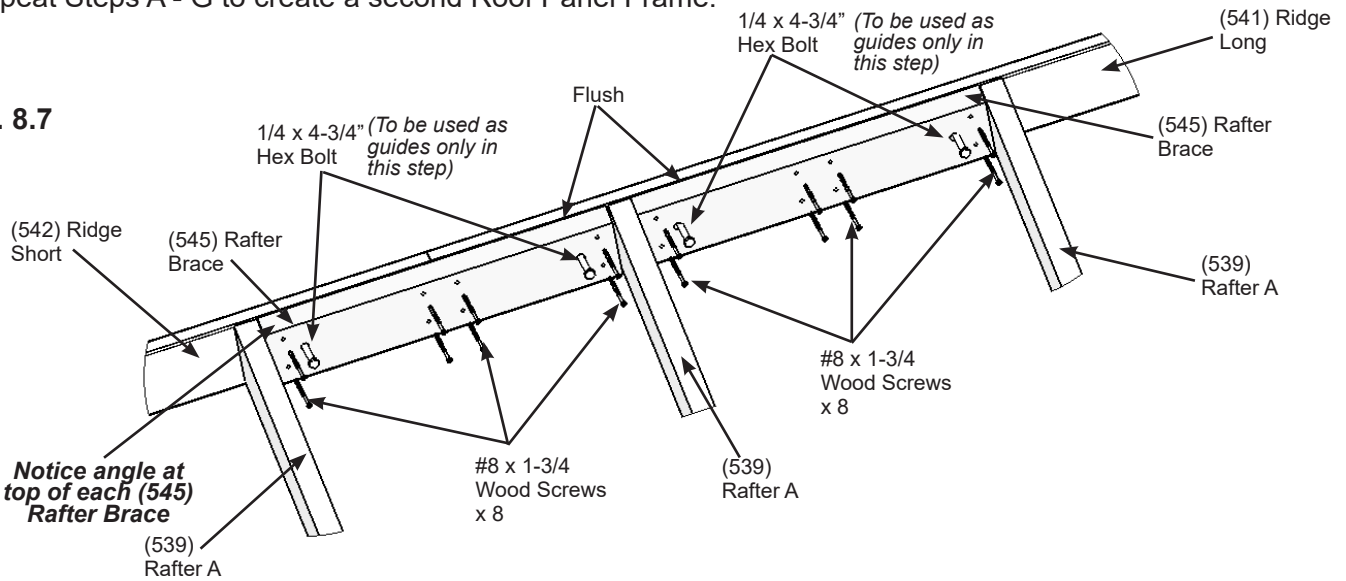
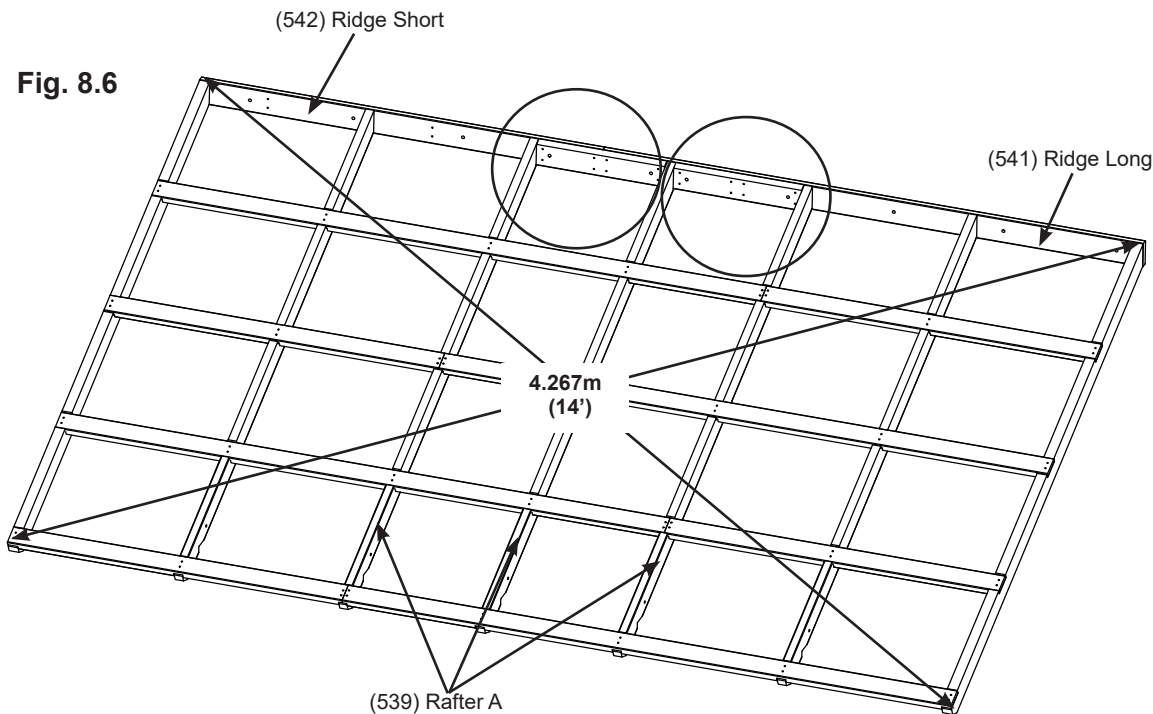


Fig. 8.6

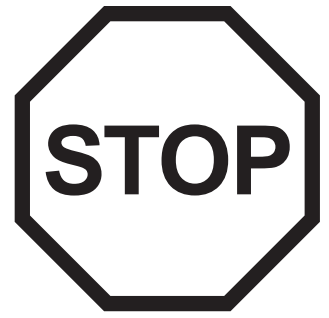
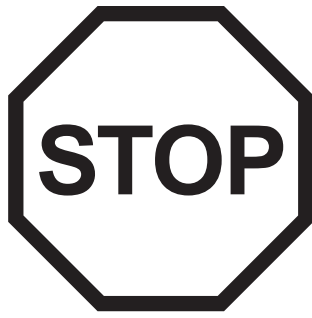
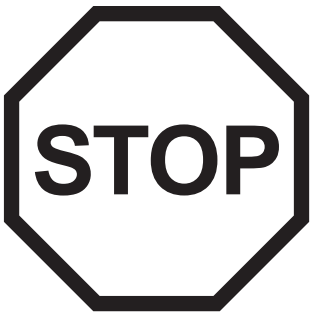


Wood Parts

4 x (545) Rafter Brace 25.4 x 101.6 x 489 mm (1 x 4 x 19-1/4")

Hardware

32 x #8 x 1-3/4" Wood Screw



INSTALLING ROOFING MATERIAL

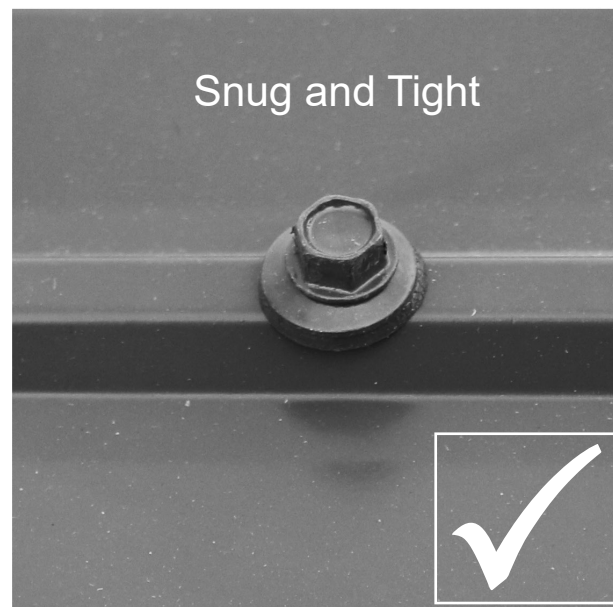
CAUTION!

Roofing material may have sharp edges! Wear gloves!

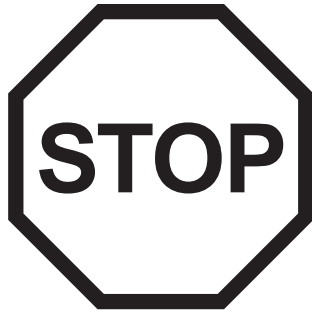
HANDLE WITH CARE!

Place roofing material on a non-abrasive surface before assembly as it can bend, dent and scratch easily.

**WARNING – DO NOT OVER TIGHTEN ROOFING SCREWS!
Over tightening screws will cause roofing material to crush.**



The roofing screws can easily crush the Roof Panels and Roof Edges when using a power drill. We recommend hand tightening the roofing screws so that they sit snug and tight to the roofing material.

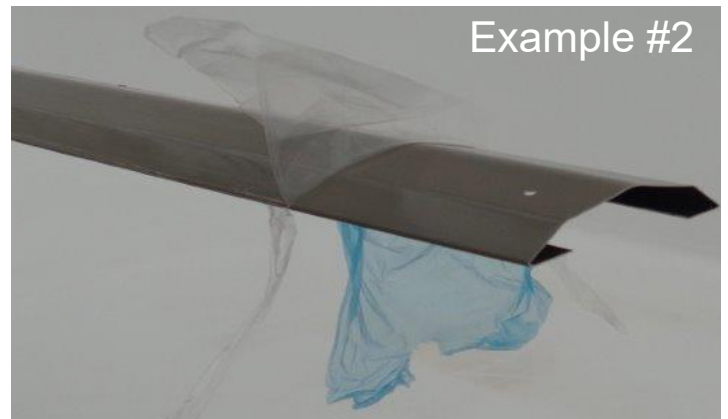
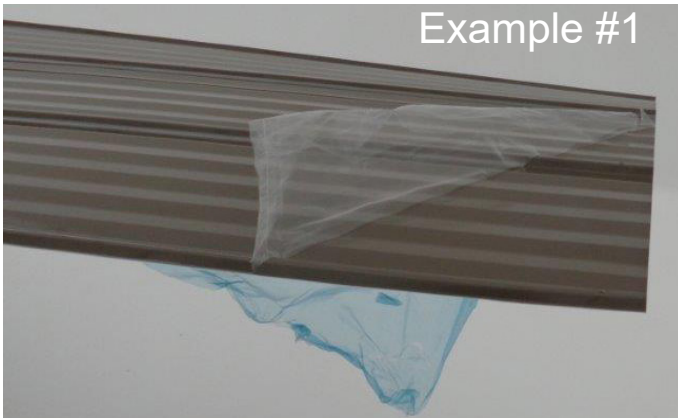


INSTALLING ROOFING MATERIAL

CAUTION!

Roofing material may have sharp edges! Wear gloves!

BE SURE TO REMOVE ALL PLASTIC COVERING, ON BOTH SIDES OF THE ALUMINUM PANELS AND TRIM, DIRECTLY BEFORE INSTALLING EACH PIECE. *(One side is clear and the other is blue, both must be removed.)*



Step 9: Attach Roof Panels Part 1



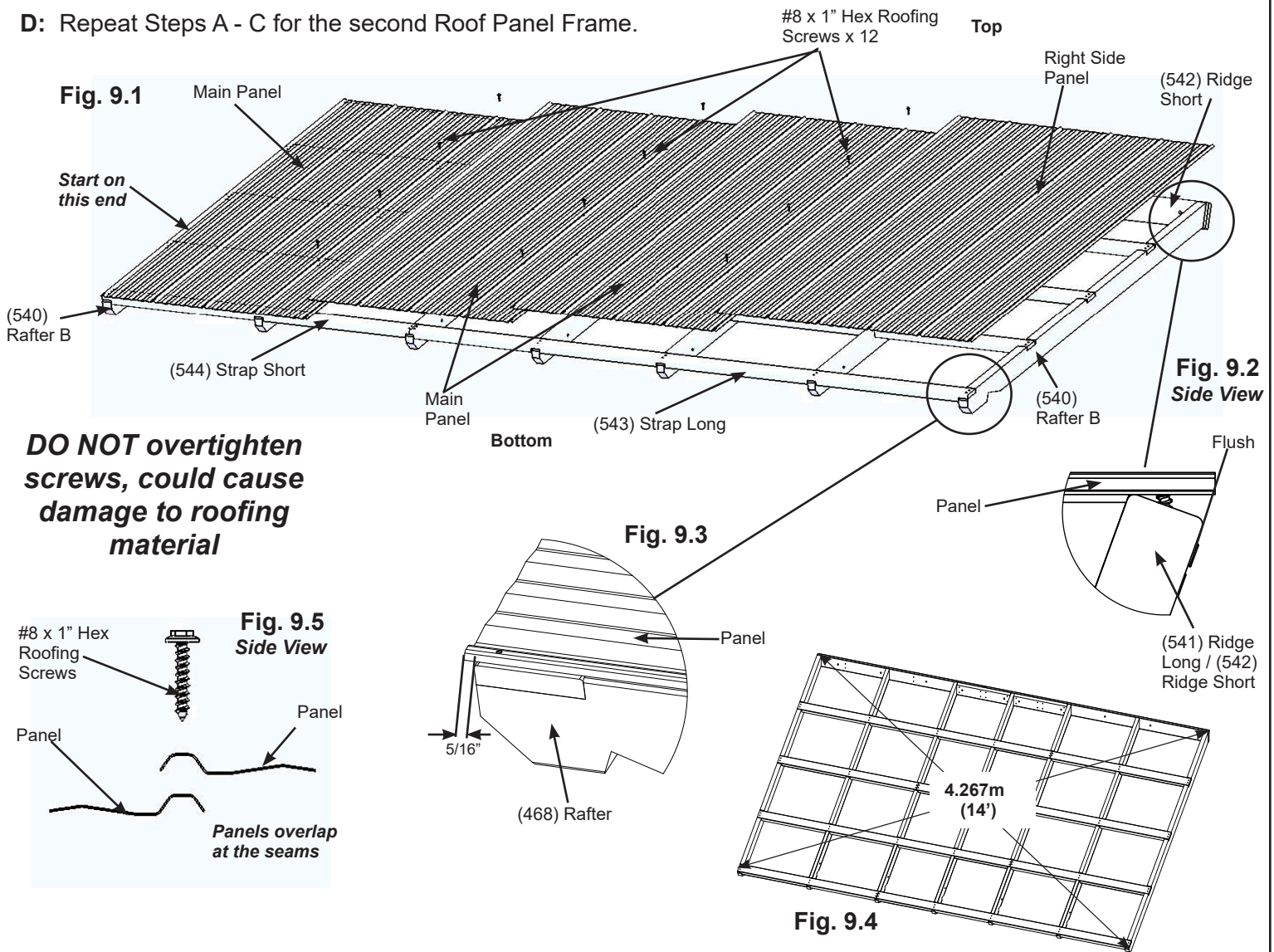
Note: Be sure to remove all plastic covering on both sides of the metal panels directly before installing each piece.

A: Make sure panel is still square then on one Roof Panel Frame place one Main Panel flush to the top and sides of the outside (540) Rafter B. Panels should be flush to the top of the (541) Ridge Long and (542) Ridge Short. There will be approximately a 5/16" overhang at the bottom. There are no holes on the ribs at the top of the panels. (fig. 9.1, 9.2, 9.3 and 9.4)

B: Place two more Main Panels beside the first then lastly one Right Side Panel so the panels overlap and screw holes line up as shown below. (fig. 9.1 and 9.5)

C: Attach all four Panels to Roof Panel Frame using twelve #8 x 1" Hex Roofing Screws in locations shown in fig. 9.1. Do not install screws to the outside (544) Strap Short and (543) Strap Long. Be sure not to overtighten screws.

D: Repeat Steps A - C for the second Roof Panel Frame.



Roof Panel Set:

- 6 x Main Panel
- 2 x Right Side Panel

Hardware

- 24 x #8 x 1" Hex Roofing Screw

Step 9: Attach Roof Panels Part 2



E: Place one Roof Edge Left and one Roof Edge Right on the bottom of each Roof Panel Frame so they meet tight and the ends are flush with the outside ends of (544) Short Strap and (543) Long Strap. Pre-drill the two end holes with a 1/8" drill bit then attach both Roof Edges with 18 #8 x 1" Hex Roofing Screws. (fig. 9.6 and 9.7)

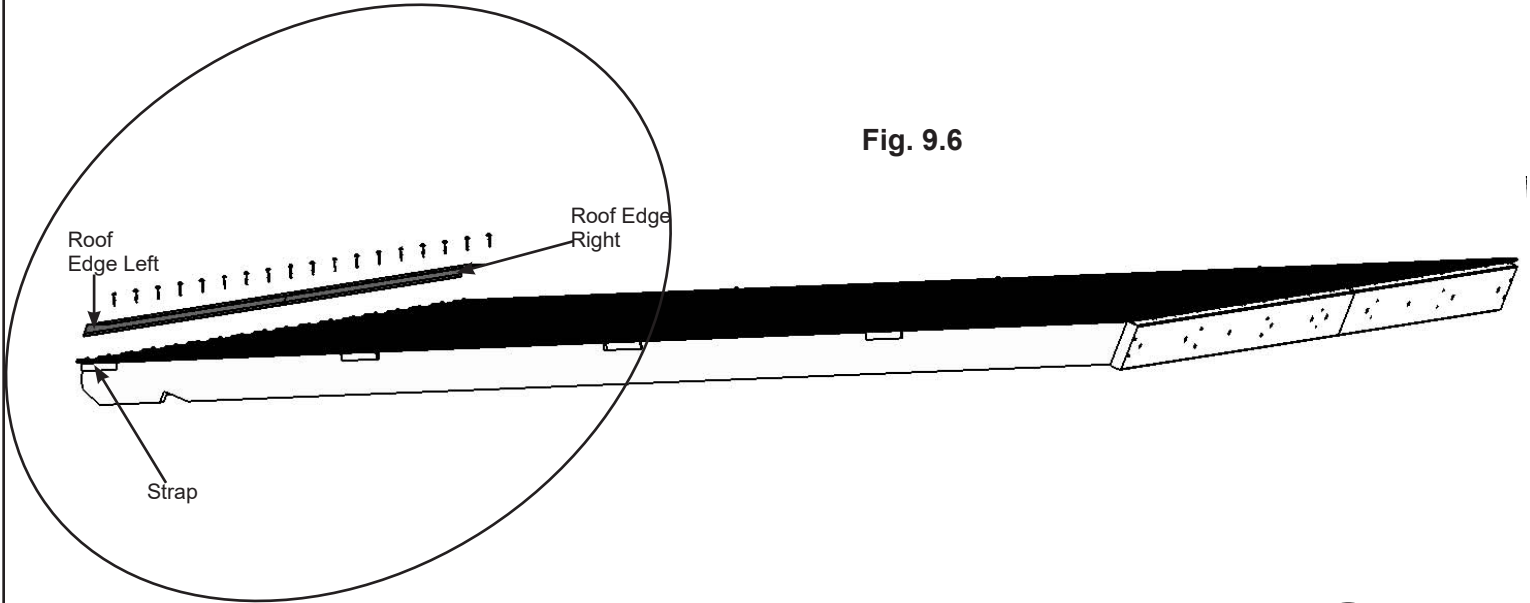


Fig. 9.6

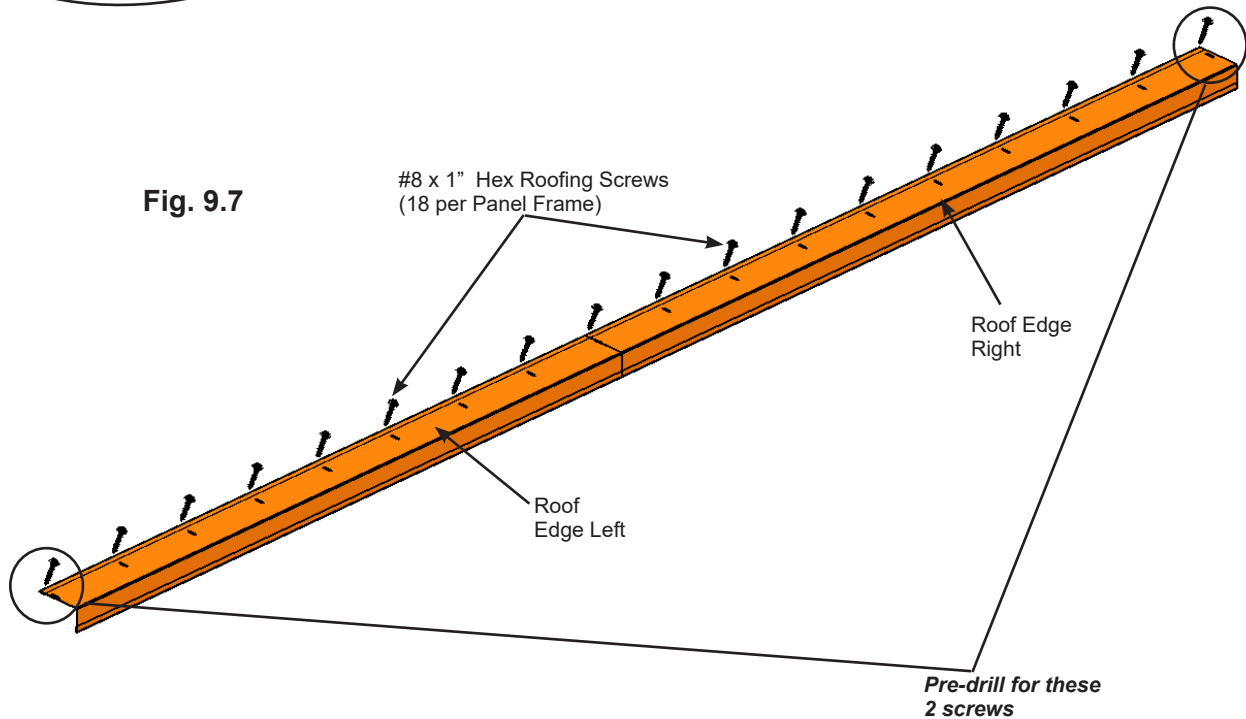


Fig. 9.7

Components

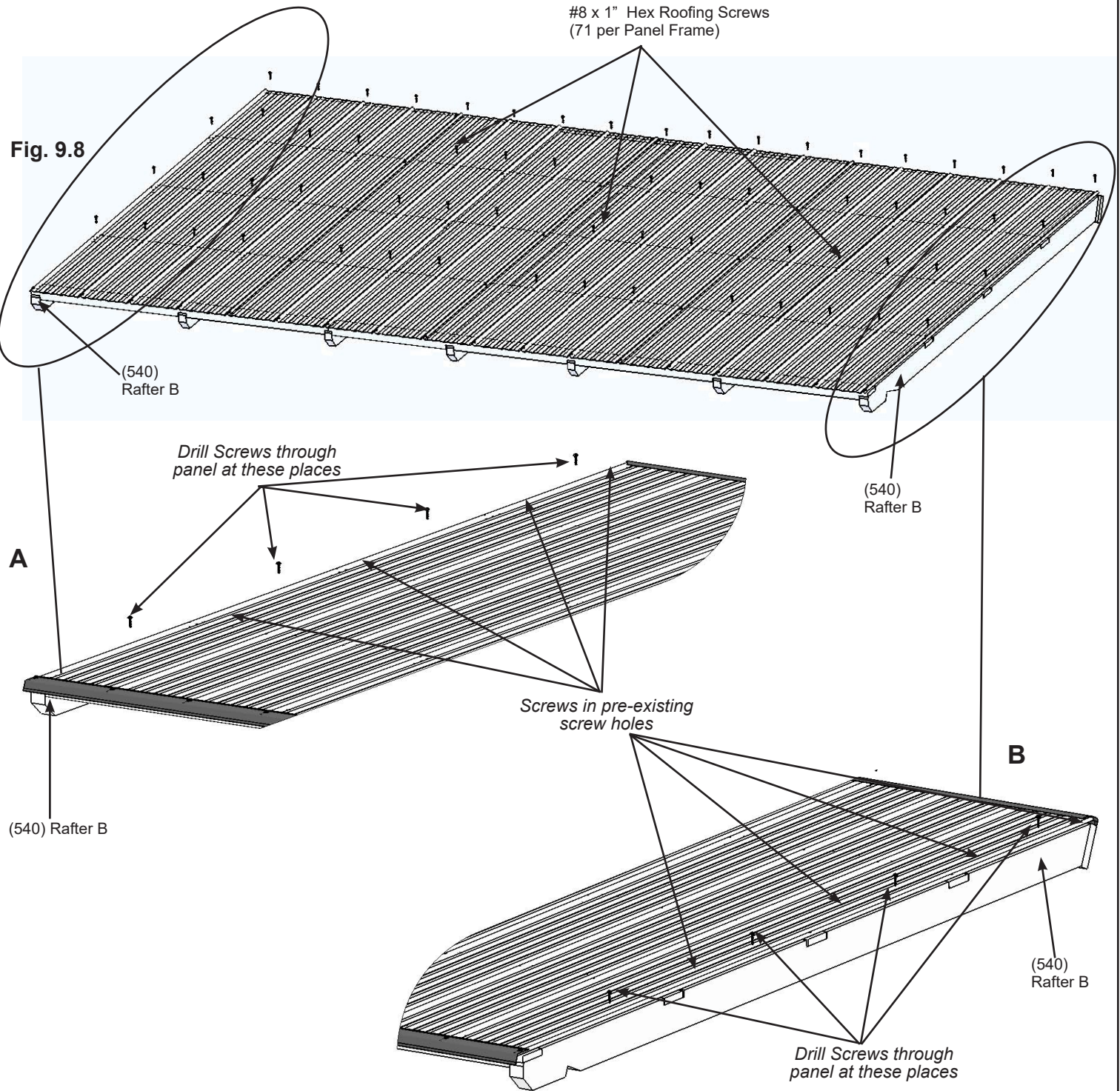
- 2 x Roof Edge Left
- 2 x Roof Edge Right

Hardware

- 36 x #8 x 1" Hex Roofing Screw

Step 9: Attach Roof Panels Part 3

F: Attach the three Main Panels and one Right Side Panel to one Roof Panel Frame using 63 #8 x 1" Hex Roofing Screws as shown in fig. 9.8. On the outside (540) Rafter Bs, in between the screw holes, four additional screws are to be inserted through the panels in the spaces indicated below (see A and B). Be sure not to overtighten screws.



Hardware

142 x #8 x 1" Hex Roofing Screw

Step 9: Attach Roof Panels Part 4



G: Place Weather Seal on the inside of two Ridge Clip Short then place one Ridge Clip Short flush to each side of Roof Panel Frame and 3-1/4" up from the bottom of (541) Ridge Long and (542) Ridge Short, make sure not to compress Weather Seal. Attach with four #7 x 3/4" Wood Screws per Ridge Clip Short. Ridge Clip Shorts must cover the Roof Panels. (fig. 9.9, 9.10, 9.11 and 9.12)

H: Place Weather Seal on the inside of one Ridge Clip then place Ridge Clip in between both Ridge Clip Shorts. 3-3/8" up from the bottom of (541) Ridge Long and (542) Ridge Short. Ridge Clip must cover the Roof Panels. Do not compress Weather Seal. Attach with seven #7 x 3/4" Wood Screws. (fig. 9.9, 9.10, 9.11 and 9.12)

I: Repeat Steps E - H for the second Roof Panel Frame.

Fig. 9.9

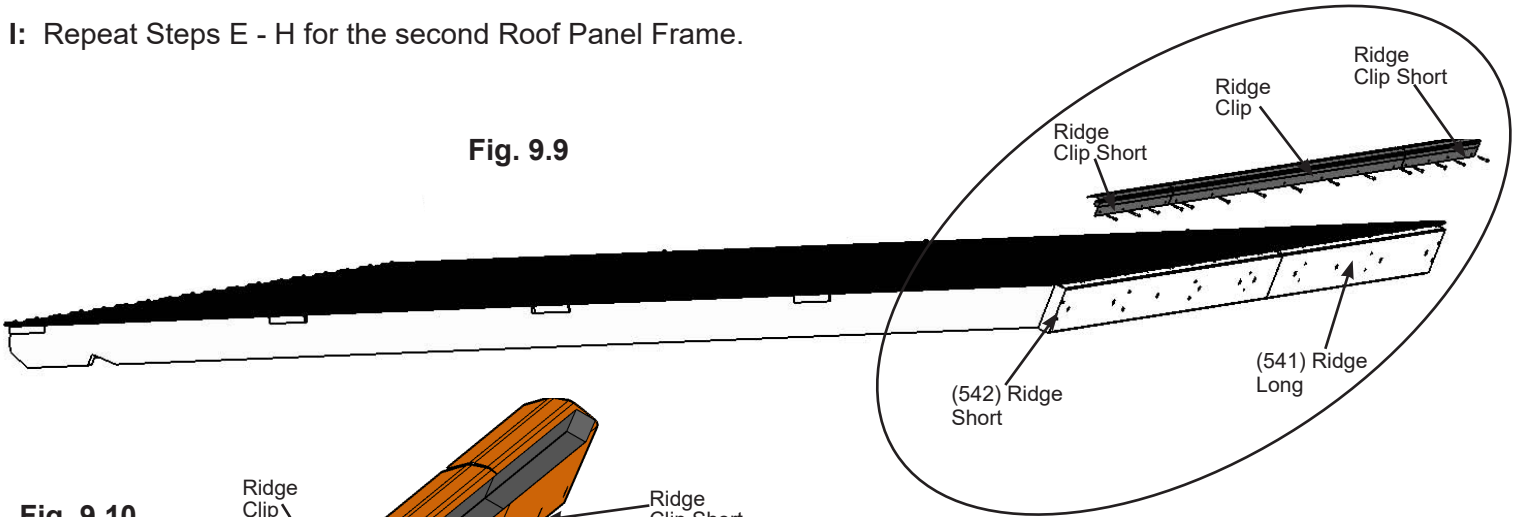


Fig. 9.10

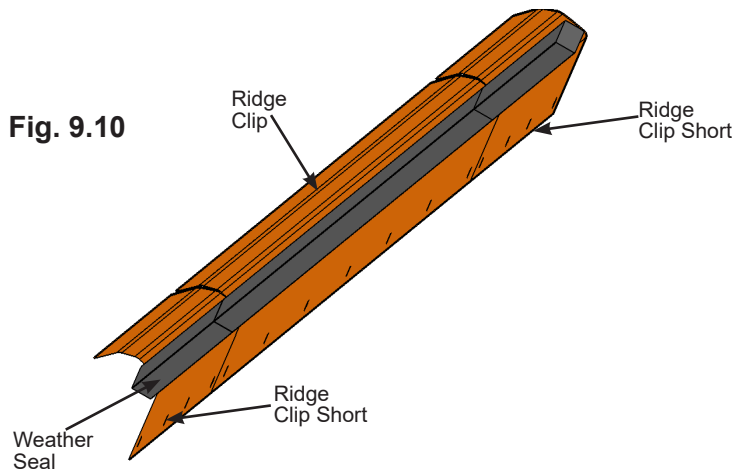


Fig. 9.11

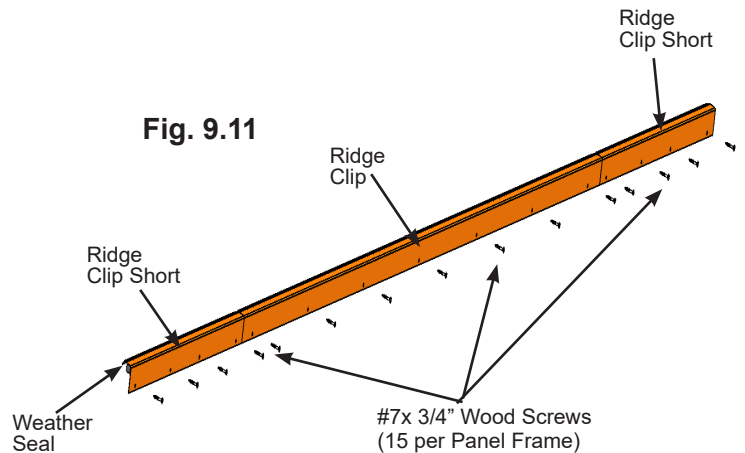
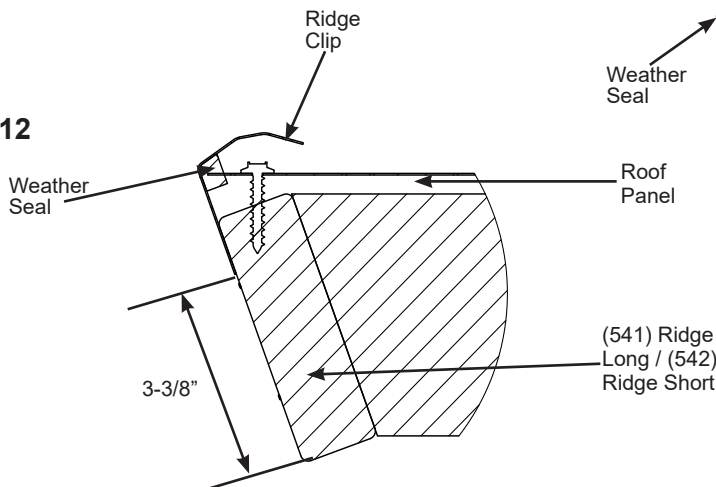


Fig. 9.12



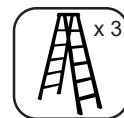
Components

- 2 x Ridge Clip
- 4 x Ridge Clip Short
- 6 x Weather Seal

Hardware

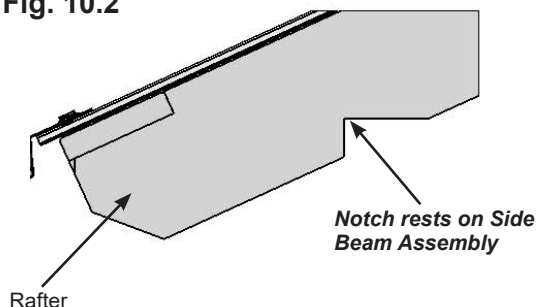
- 30 x #7 x 3/4" Wood Screw

Step 10: Attach Roof Panels to Frame Part 1



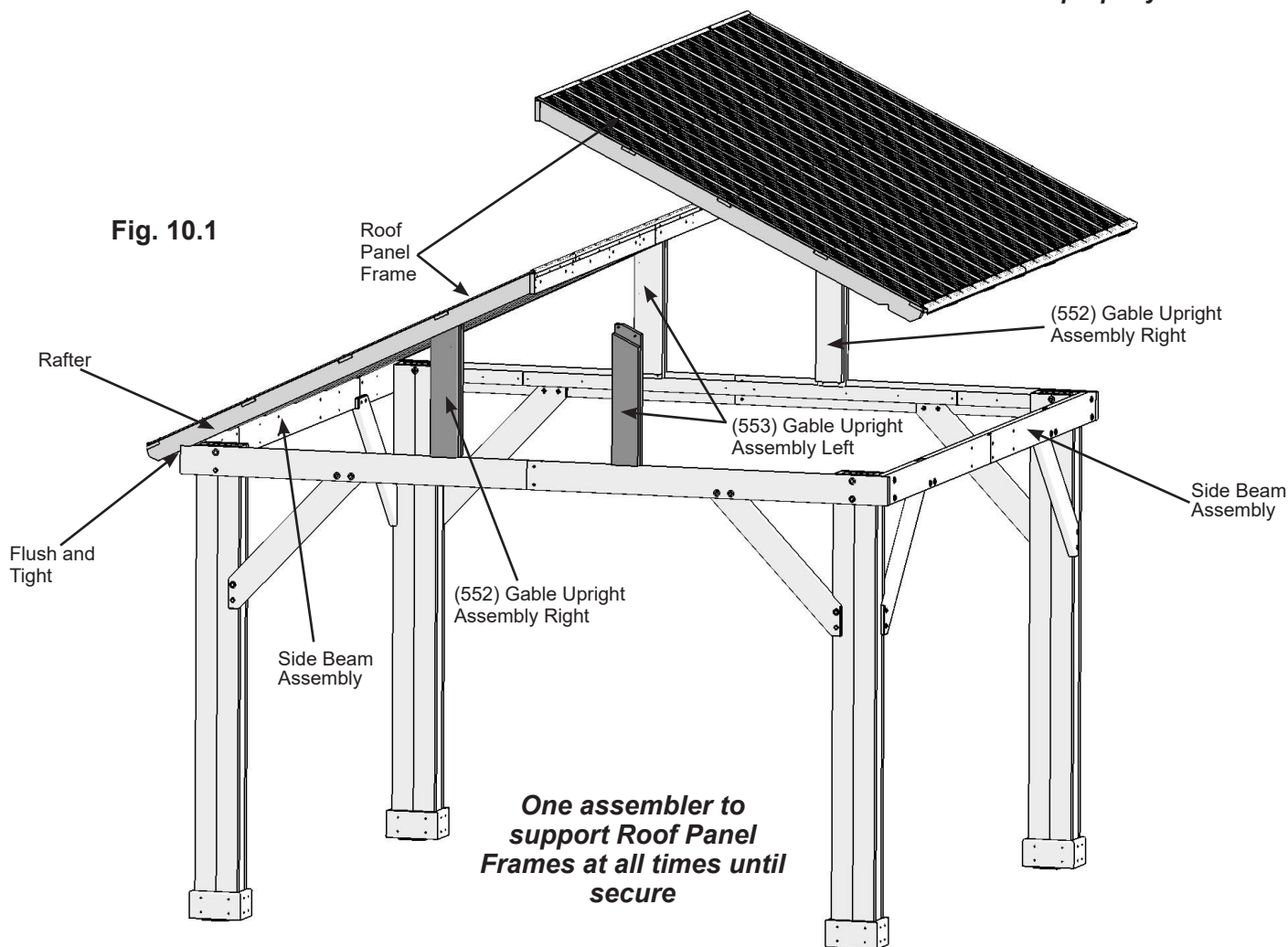
A: With four assemblers lift one Roof Panel Frame up and over the pavilion frame so it rests on (552) Gable Upright Assembly Right and (553) Gable Upright Assembly Left. The notches in the rafters sit tight on the Side Beam Assemblies. Lift the second Roof Panel Frame up and over the pavilion frame to the two Roof Panel Frames are tight together and notches are tight to Side Beam Assemblies. **One assembler must remain on a ladder to hold Roof Panel Frame in place until secured.** (fig. 10.1 and 10.2)

Fig. 10.2

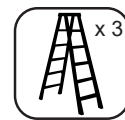


Note: The Gable Upright Assemblies may have to be adjusted to make roof sit properly.

Fig. 10.1



Step 10: Attach Roof Panels to Frame Part 2



B: From inside the assembly attach the two Roof Panel Frames together through each (545) Rafter Brace with four 1/4 x 4-3/4" Hex Bolts (with two 1/4-5/16" large washer and one 1/4" lock nut) and through (541) Ridge Longs and (542) Ridge Shorts with six 1/4 x 2-3/4" Hex Bolt (with two 1/4-5/16" large washer and one 1/4" lock nut). (fig. 10.3, 10.4 and 10.5)

Fig.10.3

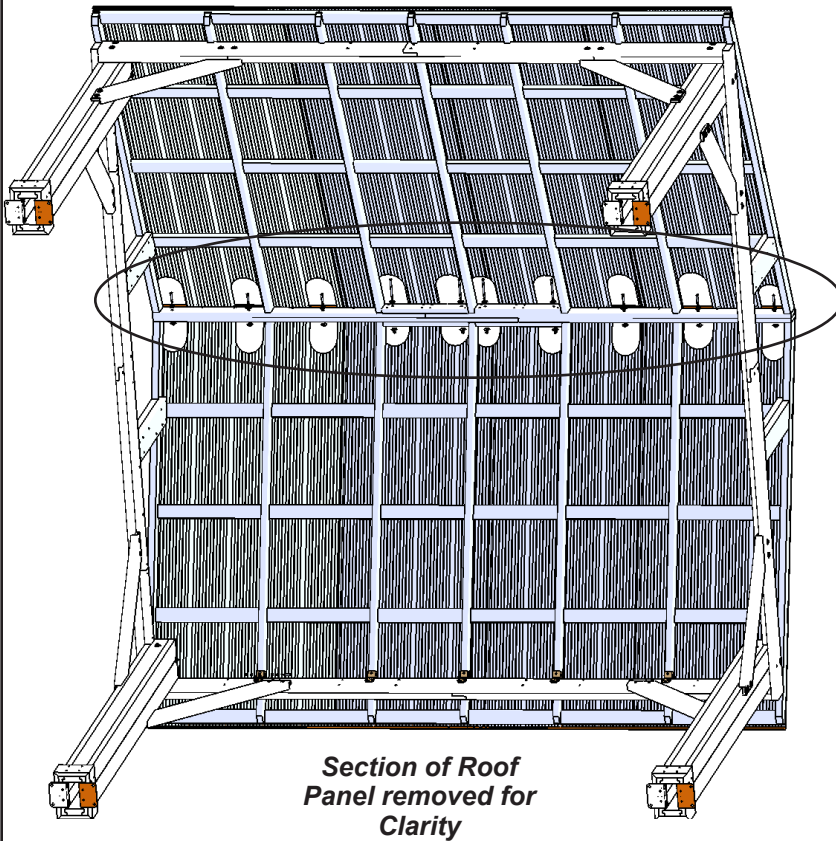


Fig. 10.5

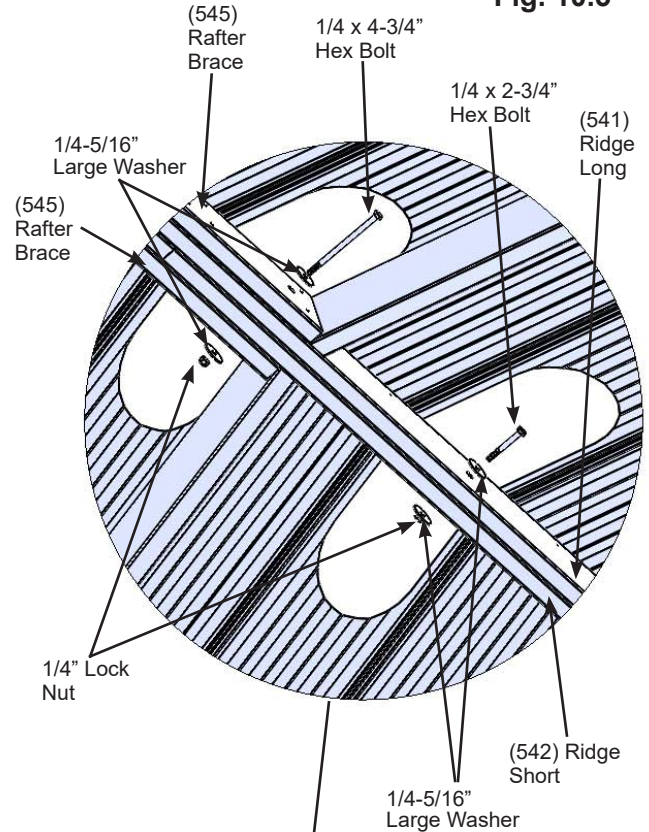
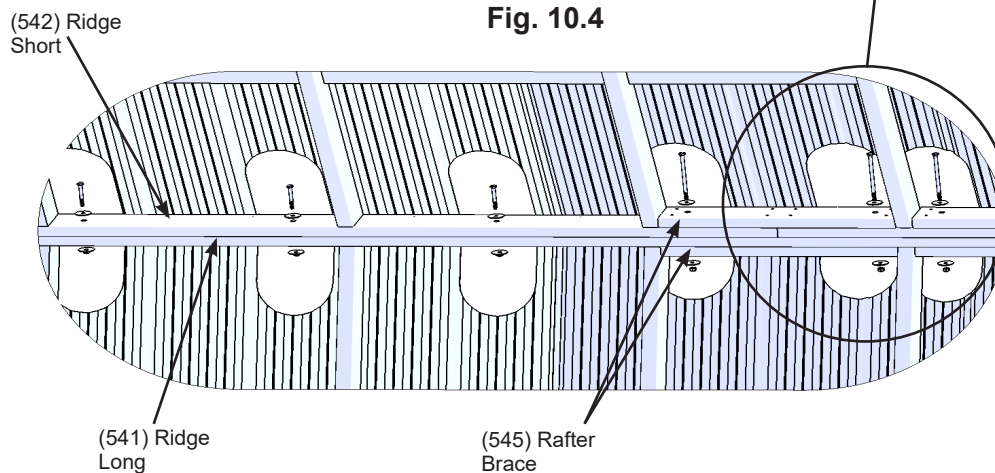


Fig. 10.4

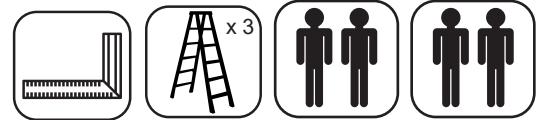


Hardware

4 x 1/4 x 4-3/4" Hex Bolt
(1/4-5/16" large washer x 2, 1/4" lock nut)

6 x 1/4 x 2-3/4" Hex Bolt
(1/4-5/16" large washer x 2, 1/4" lock nut)

Step 10: Attach Roof Panels to Frame Part 3



C: Loosely attach each of the (539) Rafter As to the inside of each Side Beam Assembly with one Rafter to Beam Bracket per rafter using one 1/4 x 2" Hex Bolt (with two 1/4-5/16" large washer and one 1/4" lock nut) per bracket. Push up on the centre of the Roof Panels so the notches in the rafters are tight to the Side Beam Assembly then attach five #10 x 1-1/4" Pan Screws per bracket. Once screws are installed tighten bolts. (fig. 10.7, 10.8 and 10.9)

D: From inside the assembly make sure the Gable Uprights are still square then attach each (552) Gable Upright Assembly Right and (553) Gable Upright Assembly Left to rafters with two #8 x 2-1/2" Wood Screws per Gable Upright Assembly. (fig. 10.6)

Fig. 10.6
Inside View

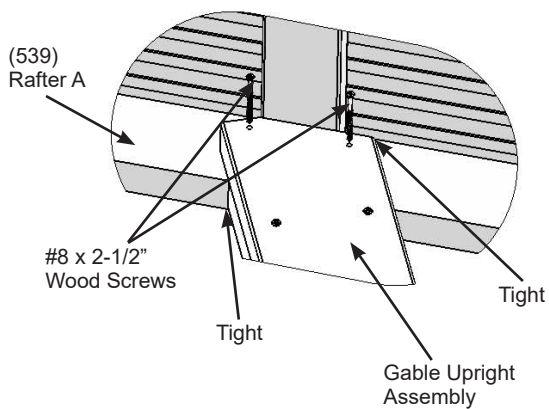


Fig. 10.7

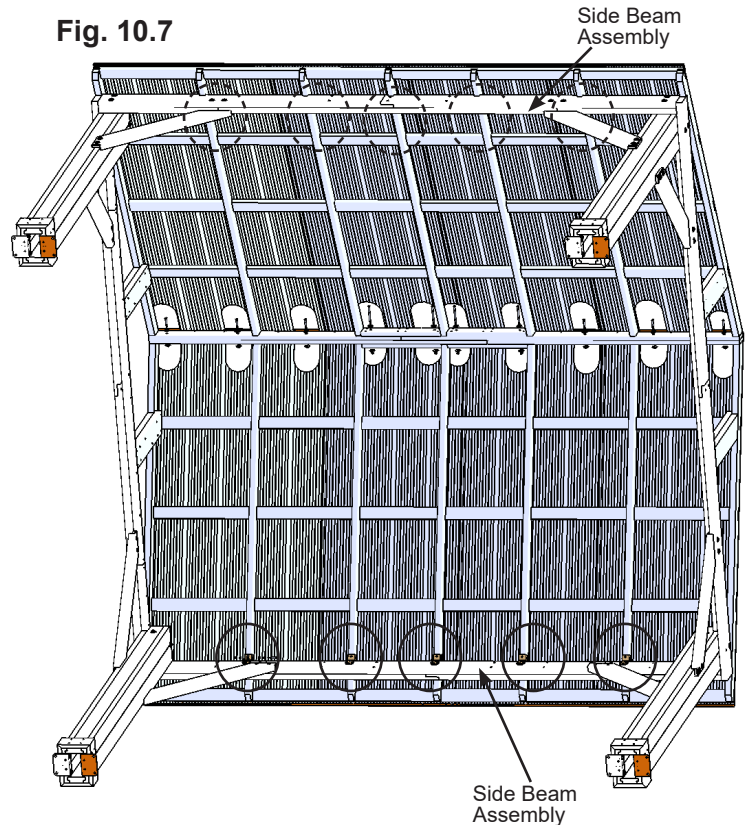


Fig. 10.8

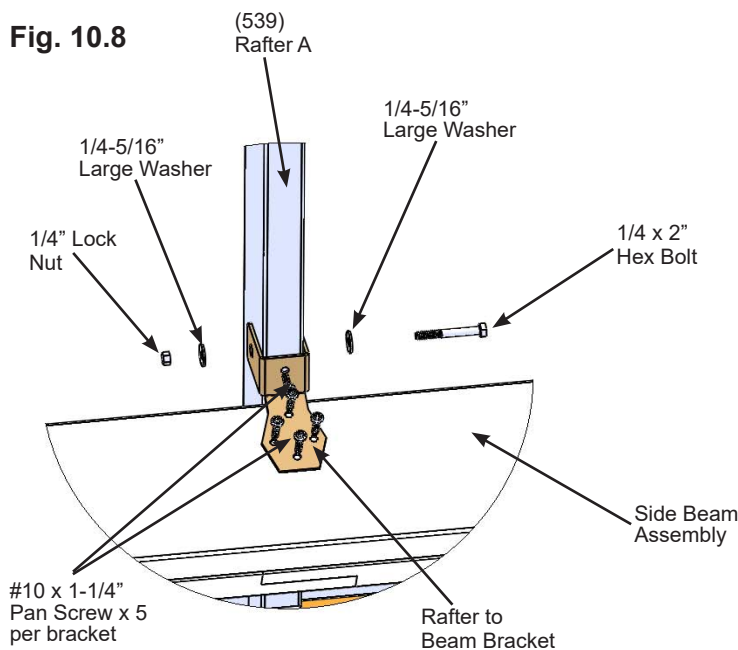
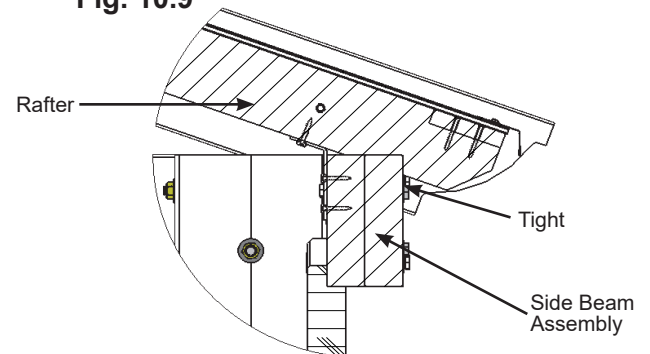


Fig. 10.9



Component

Hardware

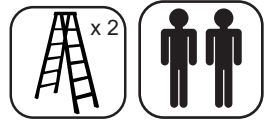
10 x Rafter to Beam Bracket

10 x 1/4 x 2" Hex Bolt (1/4-5/16" large washer x 2, 1/4" lock nut)

50 x #10 x 1-1/4" Pan Screw

8 x #8 x 2 1/2" Wood Screw

Step 11: Attach Ridge Caps Part 1



A: Slide Ridge Cap over the Ridge Clips towards the centre of the roof. (fig. 11.1 and 11.2)

B: With the swaged end facing in slide one Ridge Cap Short at each end of the roof over the Ridge Clips. Use the swaged end to help push the Ridge Cap to the centre of the roof. Each Ridge Cap Short should be flush to the outside edge of the roof. (fig. 11.1, 11.3 and 11.4)

Fig. 11.2

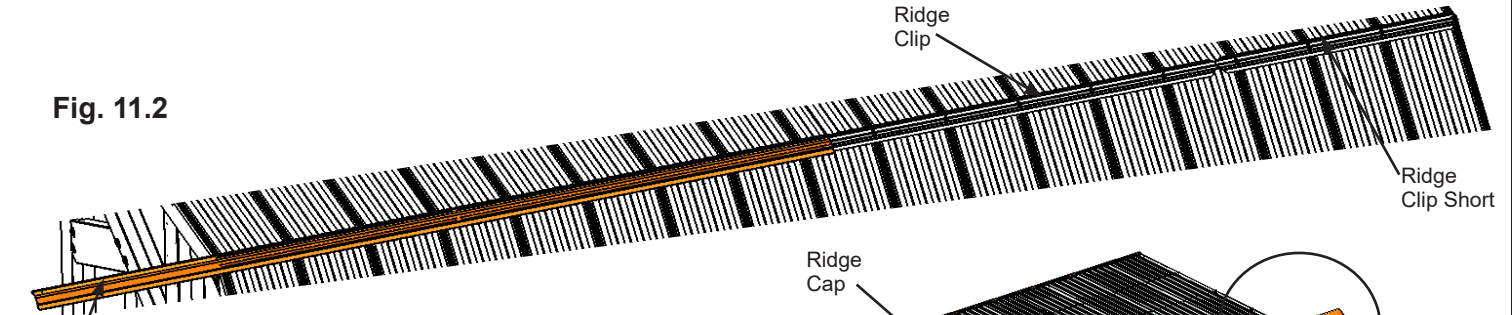
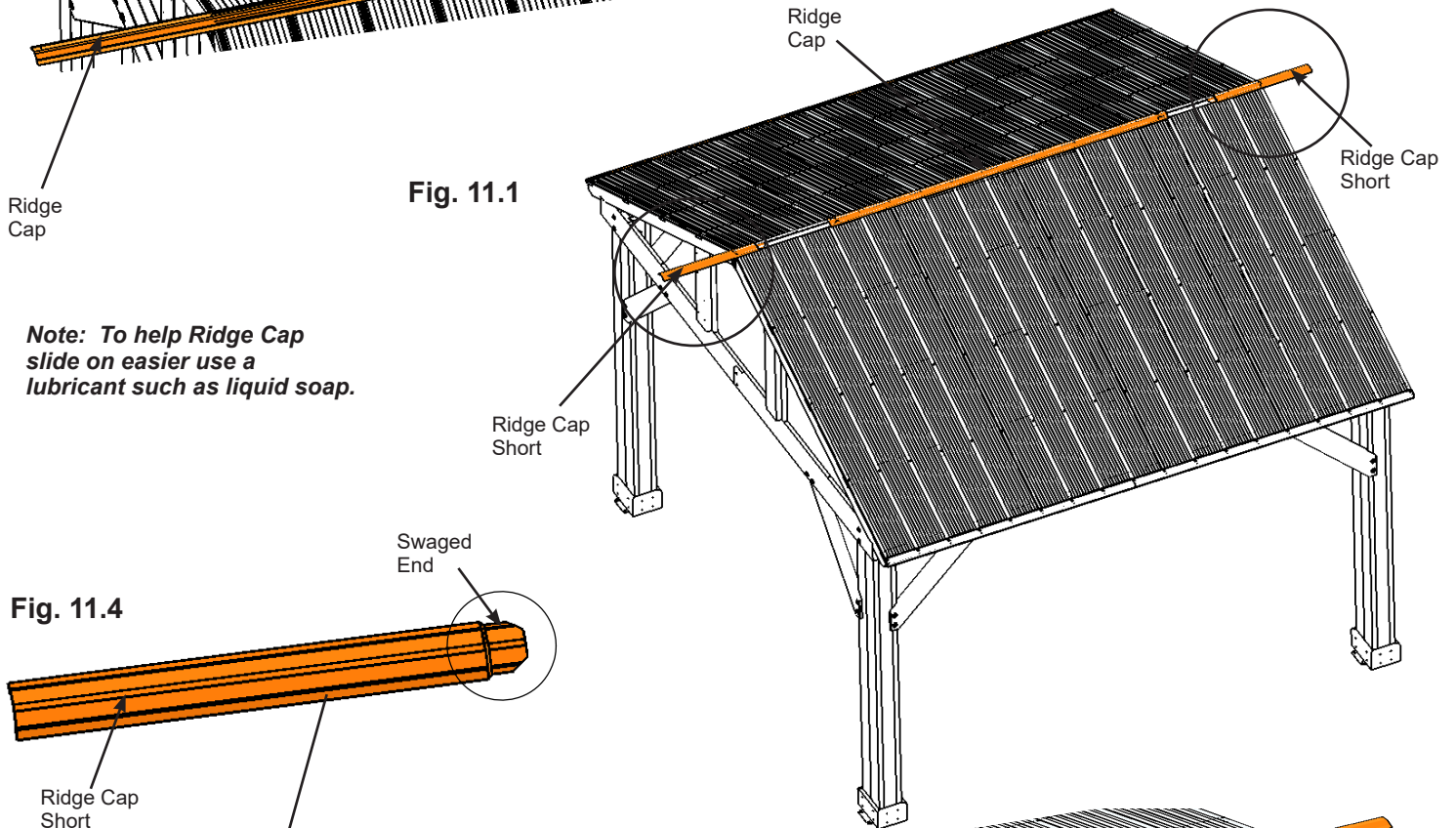


Fig. 11.1



Note: To help Ridge Cap slide on easier use a lubricant such as liquid soap.

Fig. 11.4

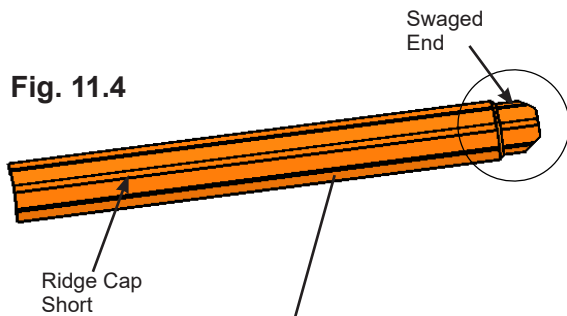
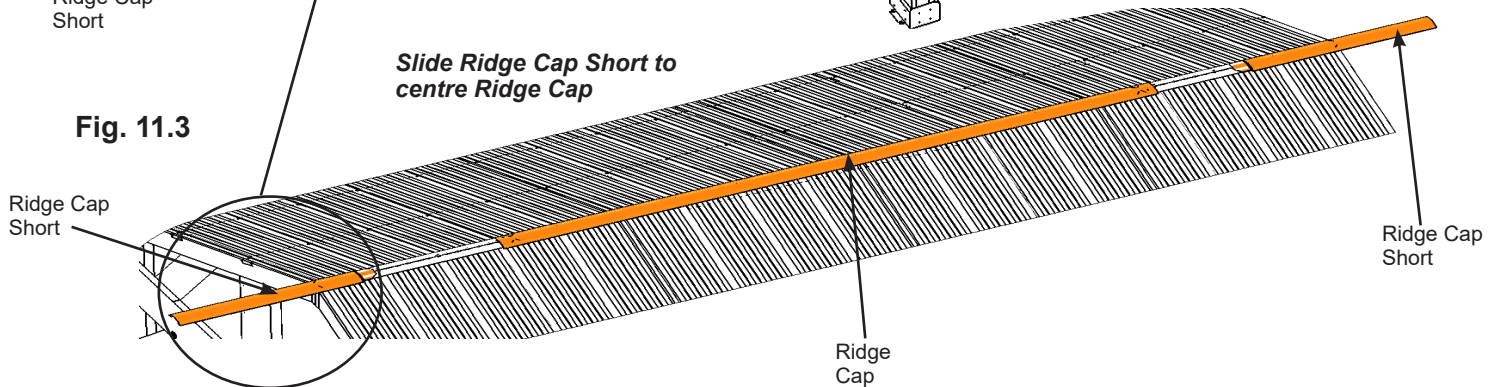


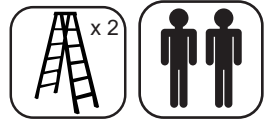
Fig. 11.3



Componets:

- 1 x Ridge Cap
- 2 x Ridge Cap Short

Step 11: Attach Ridge Caps Part 2



C: Make sure the Ridge Cap Shorts are flush to the outside edge of the roof then attach each end of the Ridge Cap to each Ridge Cap Short with two #8 x 3/4" Metal Screws per side. (fig. 11.5, 11.6 and 11.7)

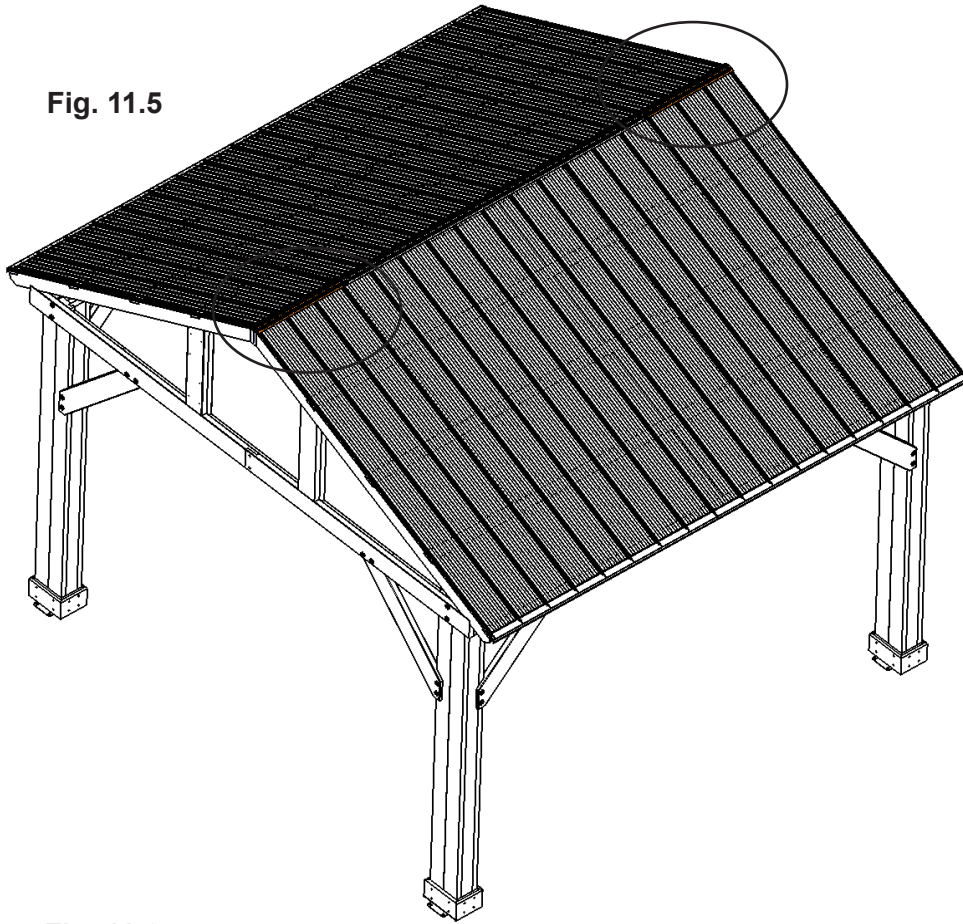
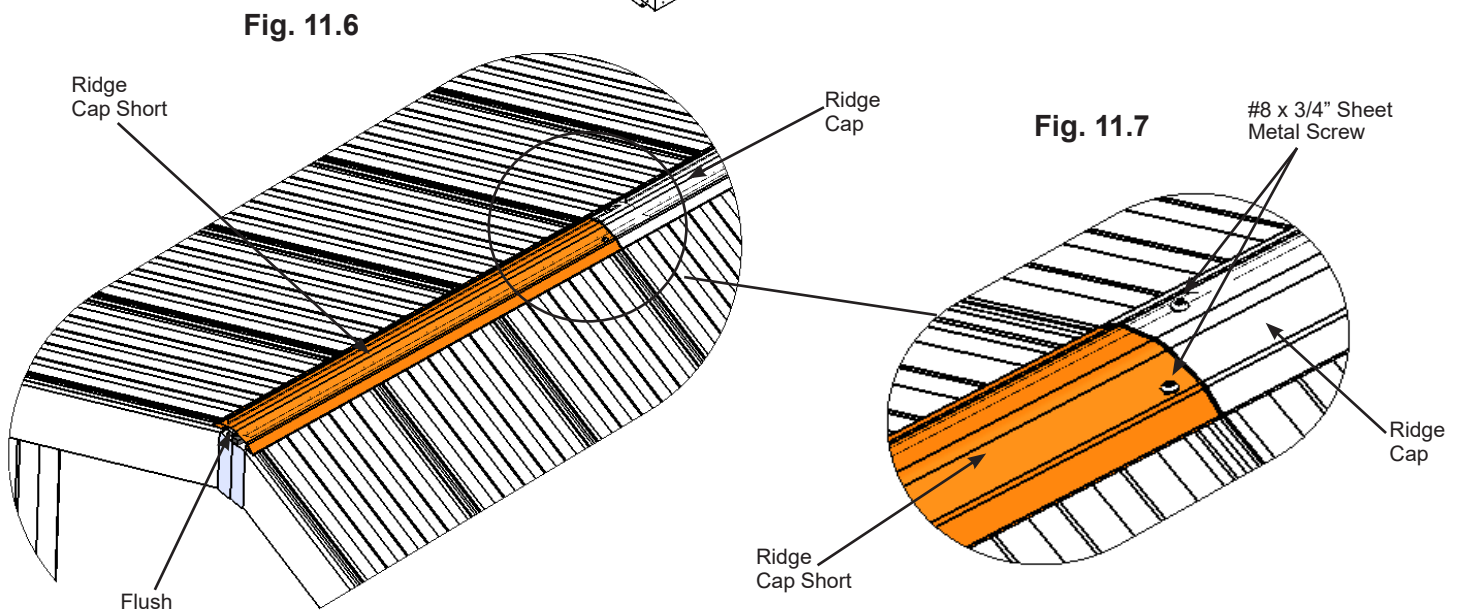


Fig. 11.5



Hardware

4 x #8 x 3/4" Sheet Metal Screw

Step 12: Attach Fascia



A: On one side of the assembly place two (550) Fascia against the outside rafters so the peaks meet in the centre and they are tight together. Bottom of (550) Fascia to bottom of rafter should measure 1" all along each (550) Fascia. Attach with ten #8 x 1-3/4" Wood Screws per (550) Fascia. (fig. 12.1, 12.2 and 12.3)

B: Repeat for the other side of the assembly.

Fig. 12.1

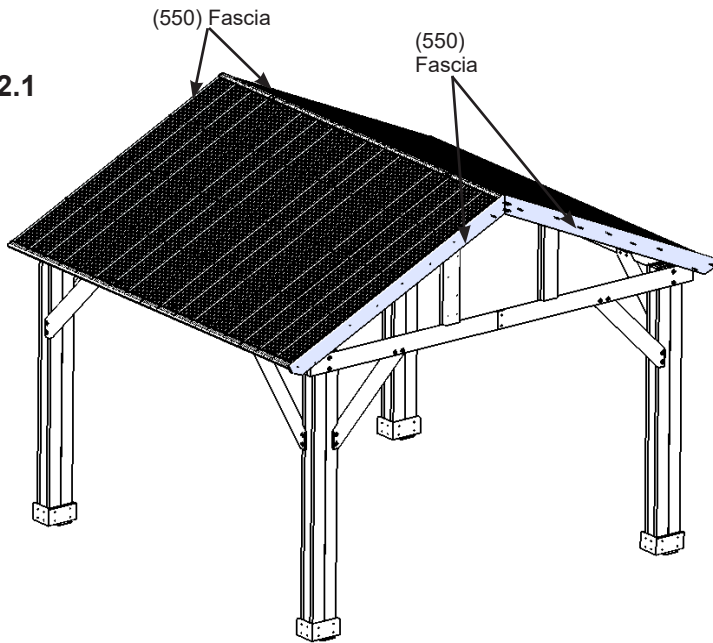


Fig. 12.2
Inside View

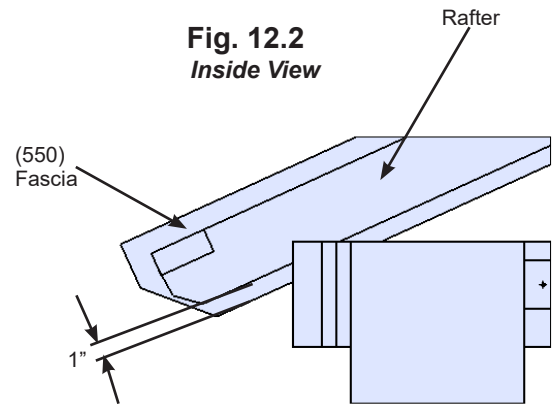
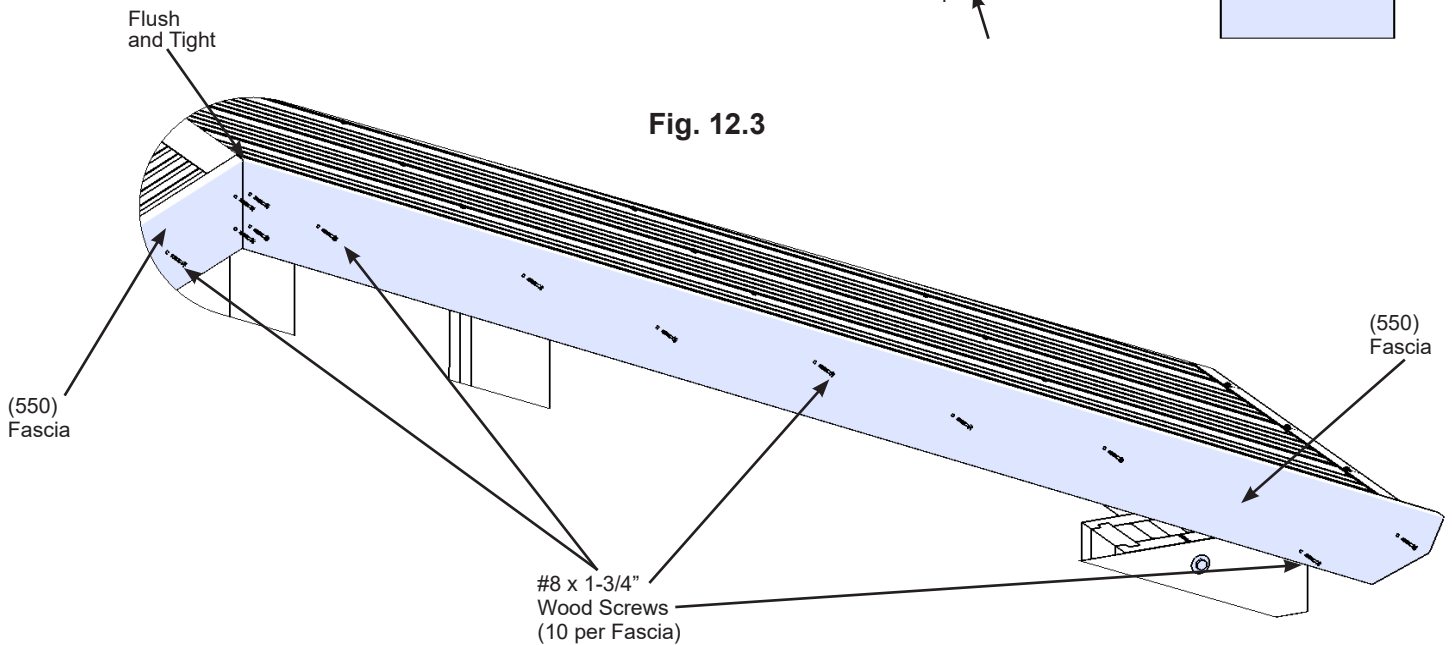


Fig. 12.3



Wood Parts

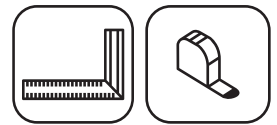
4 x (550) Fascia 25.4 x 139.7 x 2344.7 mm (1 x 5-1/2 x 92-5/16")

Hardware

40 x #8 x 1-3/4" Wood Screw

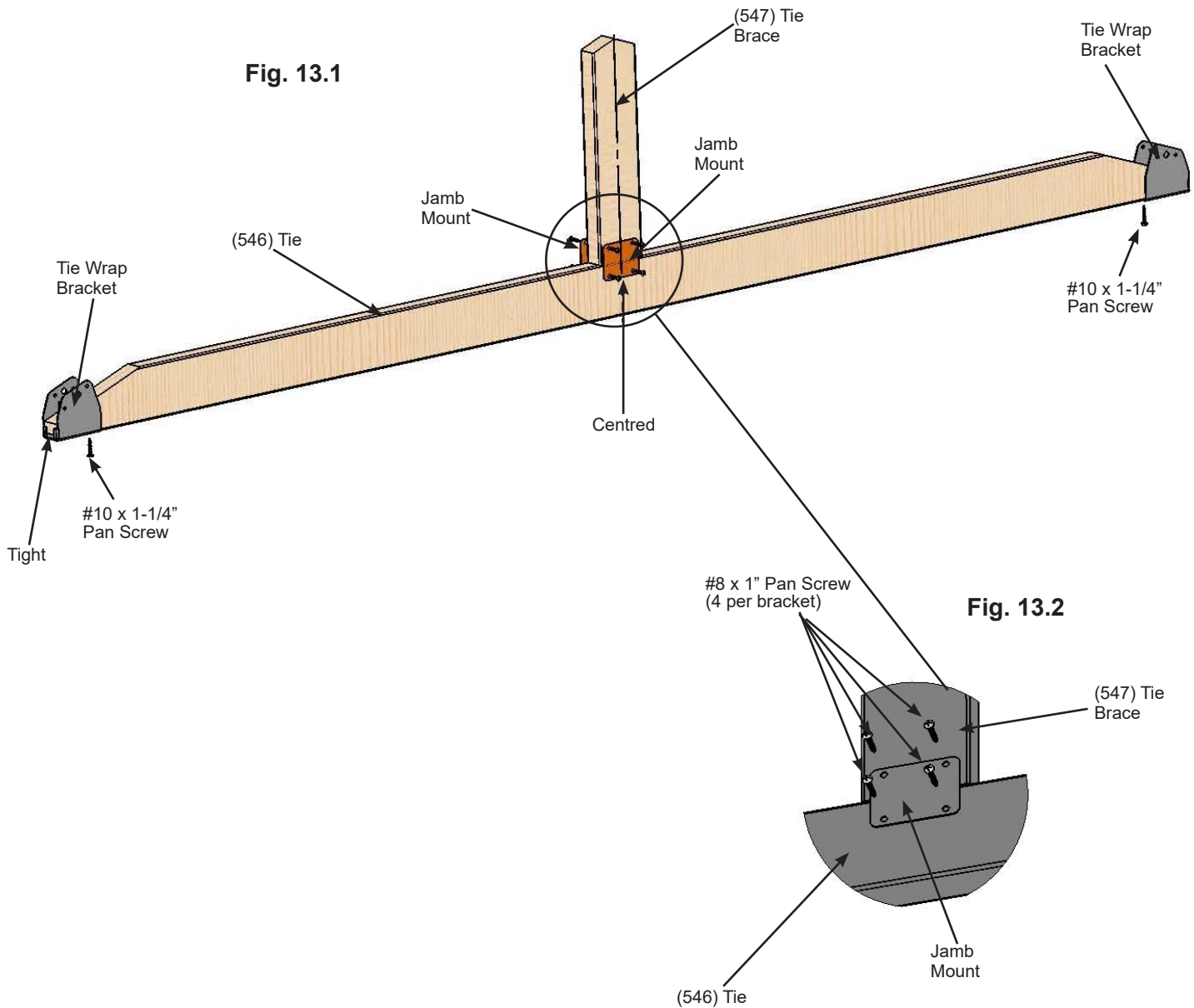
Step 13: Truss Assemblies

Part 1



A: Place one (547) Tie Brace centred, tight and square to the top of (546) Tie. Attach (546) Tie to (547) Tie Brace using two Jamb Mounts (one per side) with four #8 x 1" Pan Screws per mount. Repeat to complete five Tie Brace Assemblies. (fig. 13.1 and 13.2)

B: Attach one Tie Wrap Bracket to each end of each (546) Tie with one #10 x 1-1/4" Pan Screw per bracket using the inside holes. (416) Tie is tight to end of bracket. (fig. 13.1)



Wood Parts

5 x (546) Tie 31.8 x 88.9 x 2333.6 mm (1-1/4 x 3-1/2 x 91-7/8")
 5 x (547) Tie Brace 31.8 x 88.9 x 454 mm (1-1/4 x 3-1/2 x 17-7/8")

Components:

10 x Tie Wrap Bracket
 10 x Jamb Mount

Hardware

40 x #8 x 1" Pan Screw
 10 x #10 x 1-1/4" Pan Screw

Step 13: Truss Assemblies

Part 2



C: Attach one Tie Centre Bracket to the peak of five rafters, (541) Ridge Long, (542) Ridge Short with four #8 x 1" Pan Screws per bracket. Notice that three Tie Centre Brackets face one way and one faces the opposite direction. It will only fit on this side. (fig. 13.3 and 13.4)

Fig. 13.3

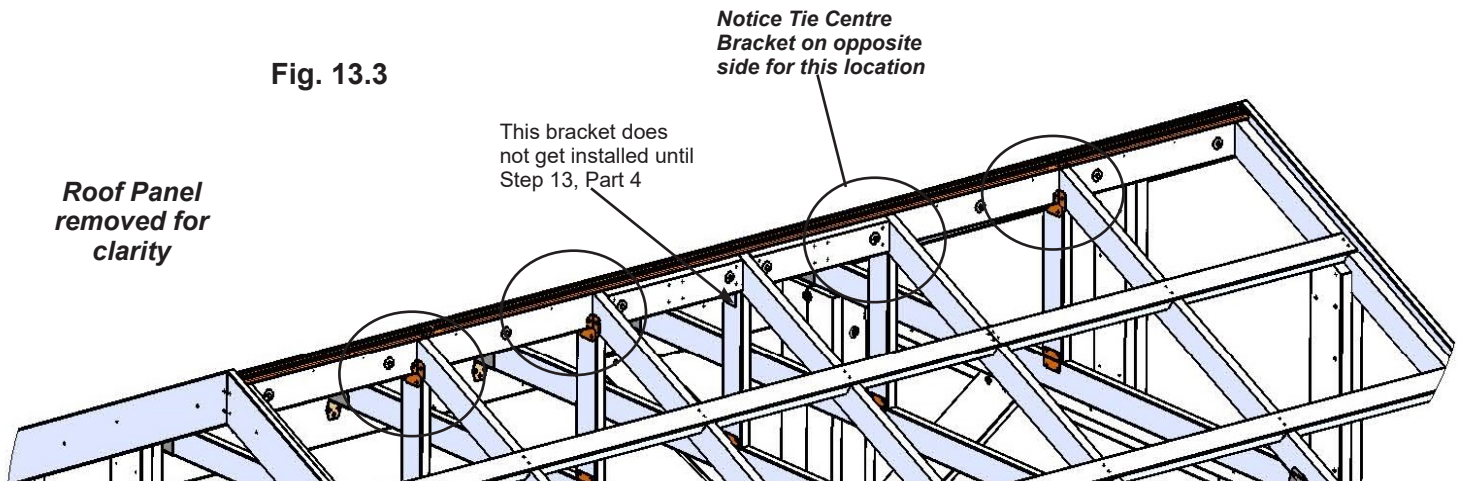
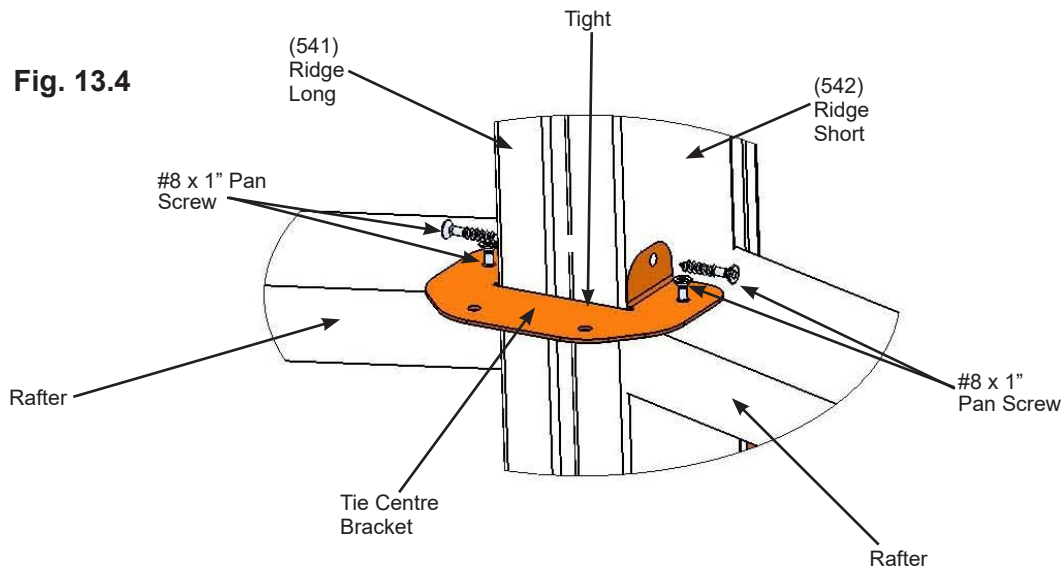


Fig. 13.4



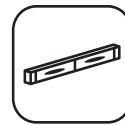
Componets:

4 x Tie Centre Bracket

Hardware

16 x #8 x 1" Pan Screw

Step 13: Truss Assemblies Part 3



D: With a helper place five (546) Tie with brackets tight against the rafters so (547) Tie Braces fit into Tie Centre Brackets. Make sure (546) Ties are level then attach Tie Wrap Brackets to the rafters with two #10 x 1-1/4" Pan Screws on both sides of each bracket and one #12 x 1-1/4" Pan Screw on one side of each bracket. (fig. 13.5, 13.6, 13.7 and 13.8)

E: Pre-drill with a 1/8" drill bit and secure Tie Wrap Brackets to (546) Tie and the rafter with one #10 x 2-1/2" Pan Screw per bracket. (fig. 13.5, 13.6, 13.7 and 13.8)

Fig. 13.5

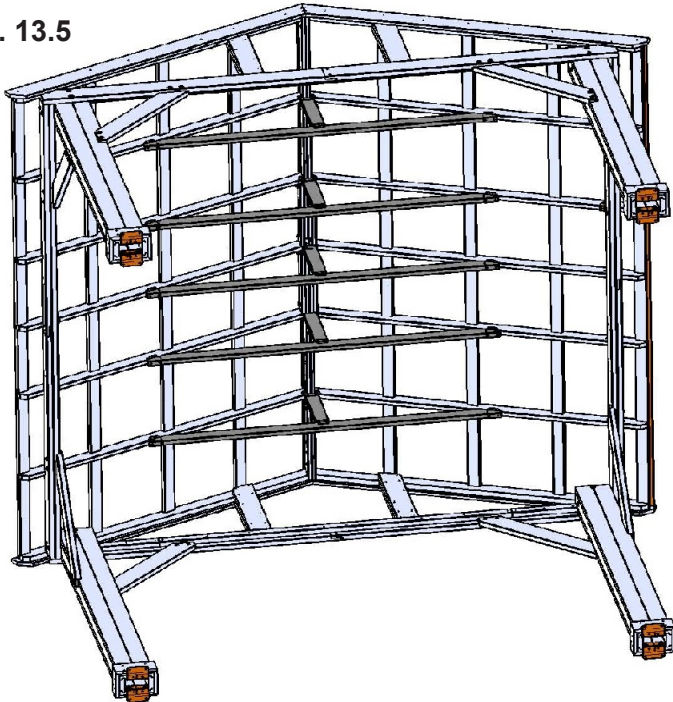
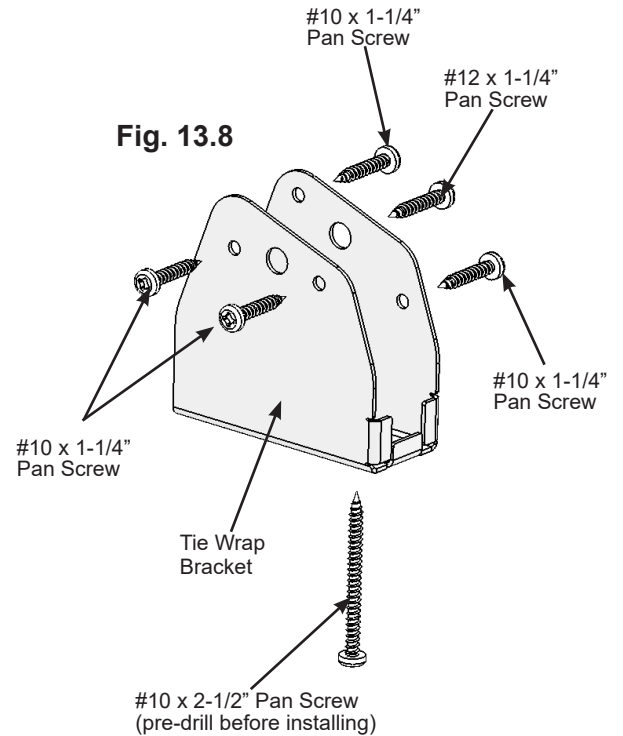
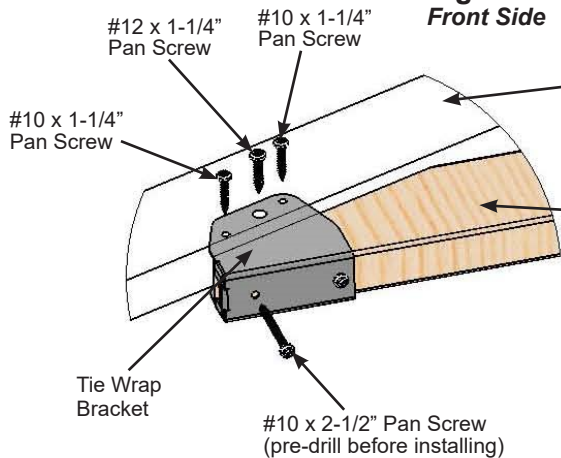


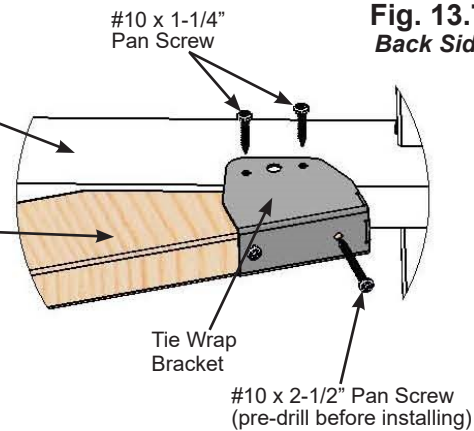
Fig. 13.8



**Fig. 13.6
Front Side**



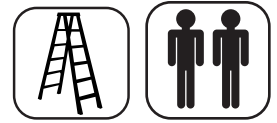
**Fig. 13.7
Back Side**



Hardware

- 40 x #10 x 1-1/4" Pan Screw
- 10 x #12 x 1-1/4" Pan Screw
- 10 x #10 x 2-1/2" Pan Screw

Step 13: Truss Assemblies Part 4



F: Secure four (547) Tie Braces to each Tie Centre Bracket with two #8 x 1" Pan Screws per bracket. (fig. 13.9 and 13.10)

G: Secure remaining (547) Tie Brace to (541) Ridge Long and (542) Ridge Short with one Corner Bracket using four #8 x 1" Pan Screws. (fig. 13.9 and 13.11)

Fig. 13.10

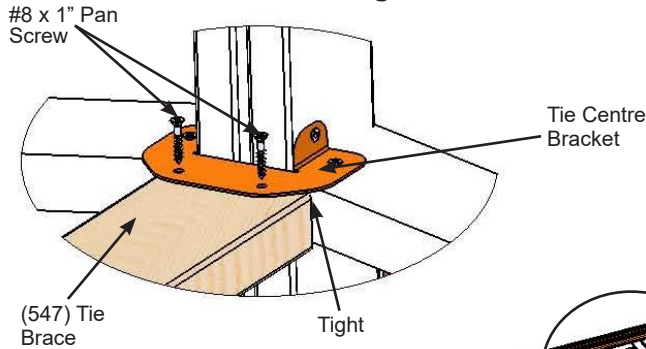


Fig. 13.9

Roof Panel removed for clarity

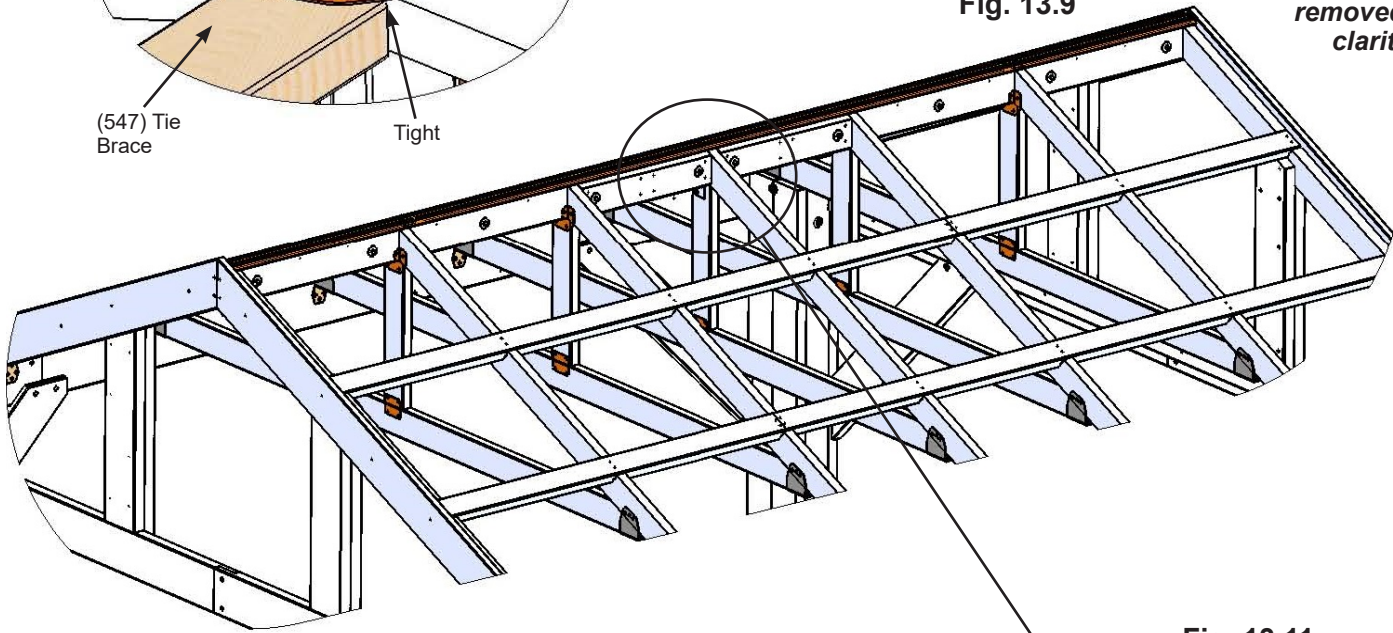
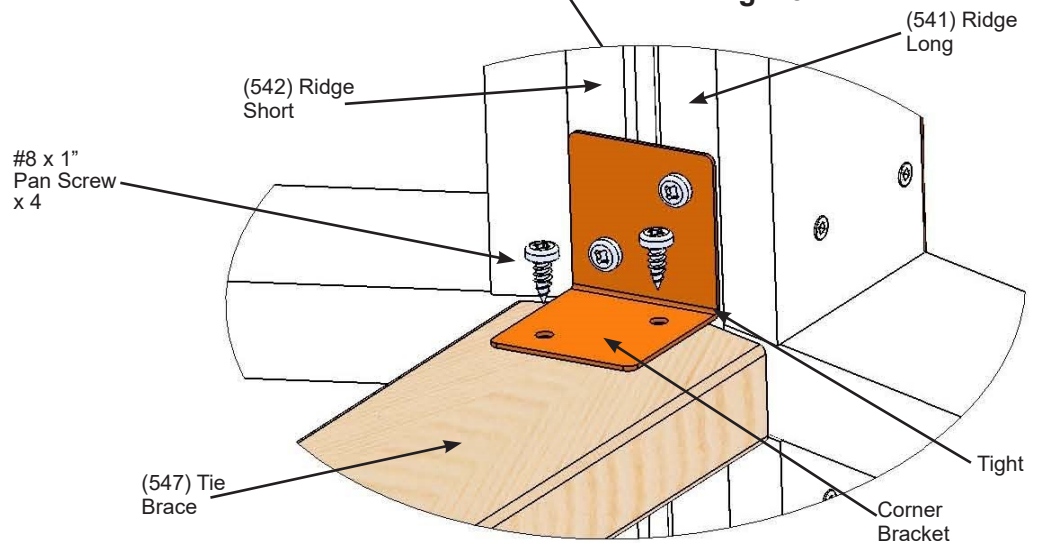


Fig. 13.11



Componets:

1 x Corner Bracket

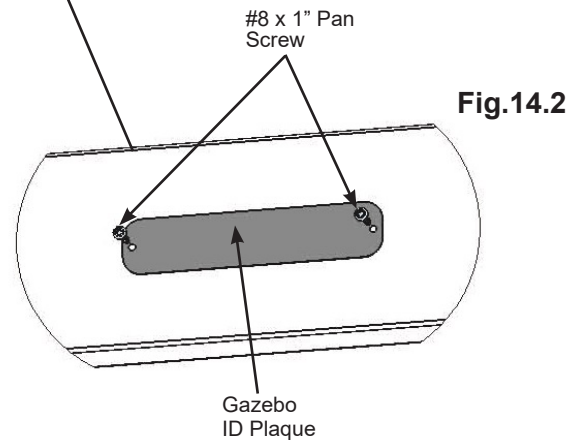
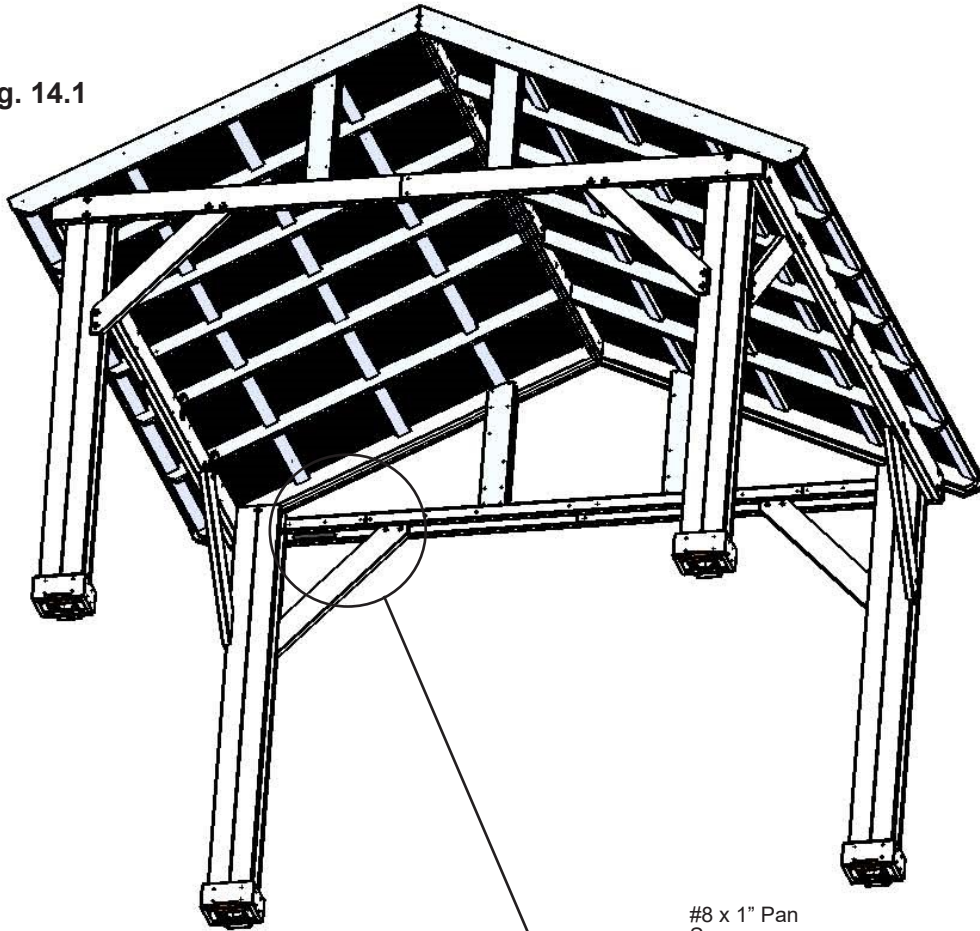
Hardware

12 x #8 x 1" Pan Screw

Step 14: Attach Plaque

A: Attach Gazebo ID Plaque to a prominent location on your Pavilion with two #8 x 1" Pan Screws. This provides warnings concerning safety and important contact information. A tracking number is provided to allow you to get critical information or order replacement parts for this specific model. (fig. 14.1 and 14.2)

Fig. 14.1



Hardware

2 x #8 x 1" Pan Screw

1 x Gazebo ID Plaque



Yardistry® 375 Sligo Road West, P.O. Box 10, Mount Forest, ON Canada NOG 2L1

Distributed by:
Costco Wholesale Corporation
P.O. Box 34535
Seattle, WA 98124-1535
USA
1-800-774-2678
www.costco.com

Costco Wholesale Canada Ltd.*
415 W. Hunt Club Road
Ottawa, Ontario
K2E 1C5, Canada
1-800-463-3783
www.costco.ca

* faisant affaire au Québec sous
le nom les Entrepôts Costco

Importado por:
Importadora Primex S.A. de C.V.
Blvd. Magnocentro No. 4
San Fernando La Herradura
Huixquilucan, Estado de México
C.P. 52765
RFC: IPR-930907-S70
(55)-5246-5500
www.costco.com.mx

Costco Wholesale Australia Pty Ltd
17-21 Parramatta Road
Lidcombe NSW 2141
Australia
www.costco.com.au

Costco Wholesale UK Ltd /
Costco Online UK Ltd
Hartspring Lane
Watford, Herts
WD25 8JS
United Kingdom
01923 213113
www.costco.co.uk

Costco Wholesale Spain S.L.U.
Polígono Empresarial Los
Gavilanes
C/ Agustín de Betancourt, 17
28906 Getafe (Madrid) España
NIF: B86509460
900 111 155
www.costco.es

Costco Wholesale Iceland ehf.
Kauptún 3-7, 210 Gardabaer
Iceland
www.costco.is

Costco France
1 avenue de Bréhat
91140 Villebon-sur-Yvette
France
01 80 45 01 10
www.costco.fr

Costco Wholesale Japan Ltd.
3-1-4 Ikegami-Shincho
Kawasaki-ku, Kawasaki-shi,
Kanagawa 210-0832 Japan
0570-032600
www.costco.co.jp

Costco Wholesale Korea, Ltd.
40, Iljik-ro
Gwangmyeong-si
Gyeonggi-do, 14347, Korea
1899-9900
www.costco.co.kr

Costco Wholesale New Zealand Limited
67 Maki Street
Massey, Auckland 0814
New Zealand

Shanghai Minhang Costco Trading Co., Ltd
No. 235, ZhuJian Road
Minhang District, Shanghai
China 201106
+86-21-6257-7065

MADE IN CHINA • FABRIQUÉ EN CHINE • HECHO EN CHINA



Customer Registration Card - Tarjeta de Registro del Cliente - Carte d'inscription du client

First Name - Primer Nombre - Prénom	Initial - Inicial - Initiale	Last Name - Apellido - Nom de famille

Street - Calle - Rue	PO Box - Casilla postal - Boîte postale	Apt. No. - App.

City - Ciudad - Ville	State/Province - Estado/Provincia - État/Province

ZIP/Postal Code - Código Postal - ZIP/Code postal	Country - País - Pays

E-mail Address - Dirección de E-mail - Adresse courriel	Telephone Number - No. de Teléfono - N° de téléphone

Model Name - Nombre del Modelo - Nom du modèle	Model Number (from front cover) - Número de Modelo (de la portada) - N° du modèle (page de couverture)

Date of Purchase - Fecha de Compra - Date d'achat (mm/dd/yyyy) (mm/dd/aaaa) (mm/jj/aaaa)	Place of Purchase - Comprado a - Lieu d'achat

Comments - Comentarios - Commentaires:

Mail To - Enviar por Correo a - Envoyer par courrier à:

Yardistry
375 Sligo Road West, PO Box 10
Mount Forest, Ontario, Canada, N0G 2L0
Attention: Consumer Relations
Atención a: Servicio de Atención al Cliente
À l'attention de: Service à la clientèle

Online Registration - Registro online - Enregistrement en ligne:

www.yardistrystructures.com/warranty

Hours/ Heures/ Horas: 8:30 am - 5:00 pm EST
(excl. holidays/ hors jours fériés/ excepto los días festivos)

English and French Spoken / Anglais et français parlés / Inglés y francés hablado

Yardistry would like to say "Thank you" for your time and feedback.

Yardistry quiere "Agradecerle" por su tiempo y su opinión.

Yardistry aimerait vous remercier d'avoir pris le temps de répondre au sondage.

ITM. / ART. 1282701

14' x 12' Mosquito Mesh Kit

Installation Instructions – YM12834X

Kit Mosquitero de 14' x 12'

Instrucciones de instalación – YM12834X

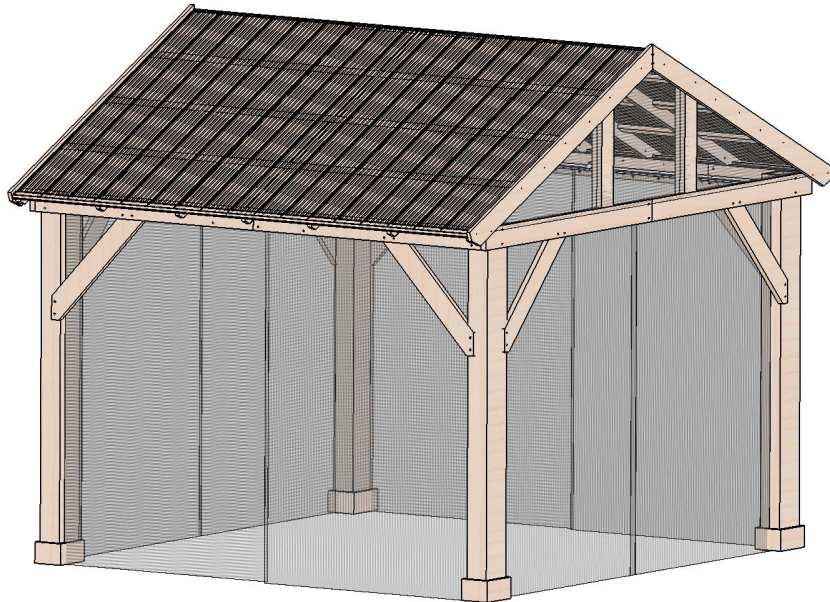
Ensemble de moustiquaire 14' x 12'

Instructions d'installation – YM12834X

For use with the
YM12949 14 x 12
Pavilion (ITM. / ART.
1185048)

Para usar con el
Pavilion YM12949
14 x 12 (ITM. / ART.
1185048)

Pour utilisation avec
le Pavillon YM12949
14 x 12 (ITM. / ART.
1185048)



IMPORTANT, RETAIN
FOR FUTURE
REFERENCE: READ
CAREFULLY

IMPORTANTE:
CONSERVE
PARA FUTURA
REFERENCIA. LEA
CUIDADOSAMENTE

IMPORTANT, À
CONSERVER POUR DE
FUTURS BESOINS DE
RÉFÉRENCE : À LIRE
SOIGNEUSEMENT

Link to Helpful Hints Video:

Enlace al video de consejos útiles:

Lien vers la vidéo Conseils utiles: <https://www.yardistrystructures.com/helpfulhints/14x12-Pavilion-Mesh/>

06-25-2019

**YARDISTRY**[®]

Yardistry – North America
Toll Free Customer Support: 1.888.509.4382
info@yardistrystructures.com
www.yardistrystructures.com

Yardistry – Norteamérica
Línea gratuita de servicio al cliente: 1.888.509.4382
info@yardistrystructures.com
www.yardistrystructures.com

Yardistry – Amérique du Nord
Service client sans frais: 1.888.509.4382
info@yardistrystructures.com
www.yardistrystructures.com

Important Safety Notice!

Yardistry components are intended for outdoor privacy, decorative and ornamental use only. Not for commercial use.

Product is NOT INTENDED for the following:

- A safety barrier to prevent unsupervised access to pools, hot tubs, spas or ponds.
- As load bearing support for a building, structure, heavy objects or swings.
- Used in structures that trap wind, rain or snow that would create extra load on the product.

WARNING: Keep all flame and heat sources away from this netting fabric. This netting meets the flammability requirements of CPAI-84. The fabric may burn if left in continuous contact with any flame source. The application of any foreign substance to the netting fabric may render the flame-resistant properties ineffective.

Netting will burn. Grills, fire pits and chimineas are a fire hazard if placed too close to a Yardistry structure. Consult user's manual of the grill, fire pit or chimenea for safe distances from combustible materials.

During installation, follow all safety warnings provided with your tools and use approved safety glasses. Some structures may require two or more people to install safely.

¡Nota importante de seguridad!

Los componentes Yardistry están hechos para brindar exterior privacidad y usarse de forma decorativa y ornamental. No para un uso comercial.

El producto NO TIENE COMO PROPÓSITO lo siguiente:

- Ser usado como barrera de seguridad para evitar el acceso no supervisado a piscinas, jacuzzis, spas o estanques.
- Ser usado como soporte para un edificio, estructura, objetos pesados o columpios..
- Ser usado en lugares donde haya acumulación de viento, lluvia o nieve que genere una carga adicional al producto.

ADVERTENCIA: MANTENGA TODAS LAS LLAMAS Y FUENTES DE CALOR ALEJADAS DEL TEJIDO MOSQUITERO. Este mosquitero cumple con los requisitos de inflamabilidad CPAI-84. El tejido puede quemarse si se deja en contacto continuo con una fuente de fuego. La aplicación de una sustancia extraña al mosquitero puede hacer que sus características de resistencia a la llama sean ineficaces.

El mosquitero se prende fuego. Las parrillas, fosas para fogatas y chimeneas son un peligro de incendio si se colocan muy cerca de una estructura Yardistry. Consulte en el manual del usuario de la parrilla, fosa para fogata o chimenea las distancias seguras de materiales inflamables.

Durante el montaje, siga todas las advertencias de seguridad proporcionadas con sus herramientas y use gafas de seguridad aprobadas. Algunas estructuras pueden requerir de dos o más personas para un montaje seguro.

Avis important de sécurité!

Les composantes Yardistry sont conçues uniquement pour des fins extérieures d'intimité, de décoration et d'ornementation. Pas pour un usage commercial.

Le produit N'EST PAS CONÇU pour les usages suivants:

- Barrière de sécurité pour empêcher l'accès à des piscines, spas ou étangs.
- Support structural pour bâtiment, structure, objet lourd ou balançoire.
- Utilisation en tant que structure brise-vent, ou servant à accumuler la pluie ou la neige, ce qui créerait une charge supplémentaire sur le produit.

AVERTISSEMENT : TENEZ TOUTES FLAMMES ET SOURCES DE CHALEUR ÉLOIGNÉES DU TISSU MOUSTIQUAIRE. Cette moustiquaire répond aux exigences d'inflammabilité CPAI-84. Le tissu peut brûler s'il est laissé en contact continu avec une source de feu. L'application d'une substance étrangère sur le tissu moustiquaire peut rendre inefficace ses caractéristiques de résistance aux flammes.

La moustiquaire peut s'enflammer. Les barbecues, foyers extérieurs et cheminées représentent un risque d'incendie s'ils sont situés trop près de la structure Yardistry. Consultez le manuel d'utilisation du barbecue, foyer extérieur ou de la cheminée pour connaître les distances sécuritaires pour les matériaux combustibles.

Lors de l'installation, respectez toutes les normes de sécurité de vos outils et portez des lunettes de protection certifiées. Certaines structures pourraient nécessiter l'aide de deux personnes ou plus pour une installation sécuritaire.

Instructions for Proper Maintenance

Your Yardistry structure is designed and constructed of quality materials. As with all outdoor products it will weather and wear. To maximize the enjoyment, safety and life of your structure it is important that you, the owner, properly maintain it.

HARDWARE:

- Check metal parts for rust. If found, sand and repaint using a non-lead paint complying with 16 CFR 1303.
- Inspect and tighten all hardware after completion of assembly; after first month of use; and then annually. Do not over-tighten as to cause crushing and splintering of wood.
- Check for sharp edges or protruding screw threads, add washers if required.

Tools Required:

- Step Ladder
- Standard or Cordless Drill
- Safety Glasses
- Tape Measure

If you dispose of your Yardistry structure: Please disassemble and dispose of your unit so that it does not create any unreasonable hazards at the time it is discarded. Be sure to follow your local waste ordinances.

Instrucciones para el mantenimiento correcto

Su estructura Yardistry está diseñada y construida con materiales de calidad. Como todos los productos para exteriores se erosiona y desgasta. Para maximizar el placer, seguridad y vida útil de su estructura es importante que usted, el dueño, le dé el mantenimiento apropiado.

TORNILLOS Y ACCESORIOS::

- Revise si están oxidadas las partes metálicas. Si se encuentra alguna, líjela y vuélvala a pintar usando pintura sin plomo que cumpla con el 16 CFR 1303.
- Inspeccione y ajuste todos los tornillos y accesorios al finalizar el montaje; después del primer mes de uso; y luego, anualmente. No ajuste los tornillos de más ya que puede romper y astillar la madera.
- Verifique si hay bordes filosos o tornillos sobresalidos, agregue arandelas si es necesario.

Herramientas requeridas:

- Escalera
- Taladro estándar o sin cable
- Gafas de seguridad
- Cinta métrica

Si se deshace de su estructura Yardistry: Por favor desarme y deshágase de su unidad de manera de no generar riesgos innecesarios el momento de desecharla. Asegúrese de cumplir con las ordenanzas locales de eliminación.

Instructions pour un entretien adéquat

Votre structure Yardistry est conçue et fabriquée à l'aide de matériaux de qualité. Comme pour tous les produits d'extérieur, elle sera soumise au climat et à l'usure. Afin de maximiser l'utilisation, la sécurité et la durée de vie de votre structure, il est important que vous l'entretenez adéquatement.

QUINCAILLERIE:

- Assurez-vous qu'aucune rouille n'est présente. Si c'est le cas, sablez et repeignez à l'aide de peinture sans plomb respectant la norme 16 CFR 1303.
- Inspectez et resserrez toute la quincaillerie après l'assemblage; après le premier mois d'usage; et ensuite annuellement. Ne pas trop serrer afin de ne pas écraser ou fendiller le bois.
- Assurez-vous qu'aucune bordure coupante ou filet de vis ne dépasse, ajoutez des rondelles si nécessaire.

Outils nécessaires:

- Échelle
- Perceuse standard ou sans fil
- Lunettes de sécurité
- Ruban à mesurer

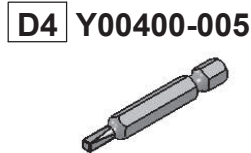
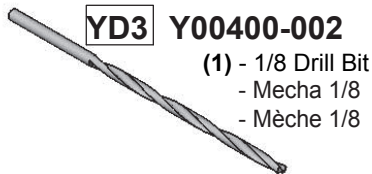
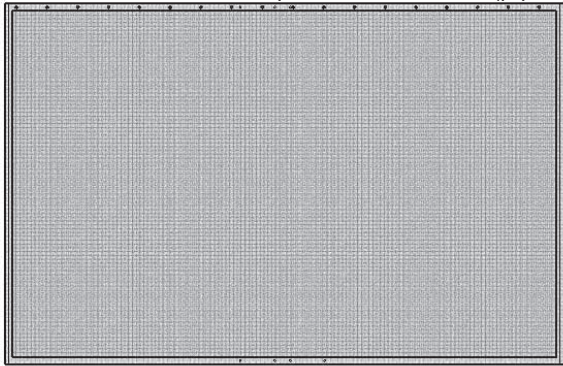
Si vous jetez une structure Yardistry: Veuillez démonter et jeter l'unité de façon à ne pas créer de risque excessif au moment de l'élimination. Assurez-vous de respecter vos normes locales de mise aux rebuts.

**Link to Helpful Hints Video:
Enlace al video de consejos útiles:
Lien vers la vidéo Conseils utiles:**

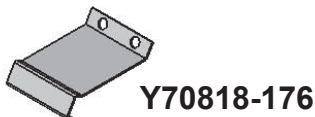
<https://www.yardistrystructures.com/helpfulhints/14x12-Pavilion-Mesh/>

Part Identification

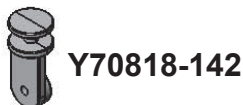
- 2- 145 Y70818-179** Insect Panel 14 x 12 (2 Pack)
 - Panel Mosquitero 14 x 12 (paquete de 2)
 - Panneau pour insecte 14 x 12 (pqt de 2)



- (1) - #2 x 2" Robertson Bit
 - Mecha Robertson No.2 x 2"
 - Mèche Robertson #2 x 2"



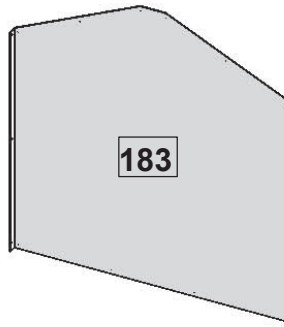
- (1) - Curtain Track Gusset (4 Pack)
 - Refuerzo de guía de cortina (Paquete de 4)
 - Gousset de rail pour rideaux (Pqt. de 4)



- (1) - Gazebo Curtain Hanger (70 Pack)
 - Gancho de Cortina de gazebo (Paquete de 70)
 - Support à rideaux pour gazebo (Pqt. de 70)

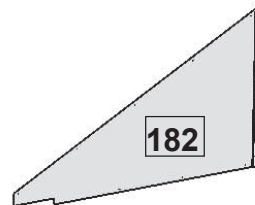


- (1) - Male Snap w. Screw(8 Pack)
 - Broche macho c/tornillo (paquete de 8)
 - Fixation mâle avec vis (pqt de 8)



Y70818-183

- (1) - Centre Gable Screen (2 Pack)
 - Mosquitero de Gablete centro (paquete de 2)
 - Moustiquaire de pignon centrale (pqt de 2)

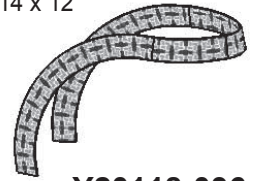


Y70818-182

- (1) - Side Gable Screen (4 Pack)
 - Mosquitero de Gablete lado (paquete de 4)
 - Moustiquaire de pignon côté (pqt de 4)

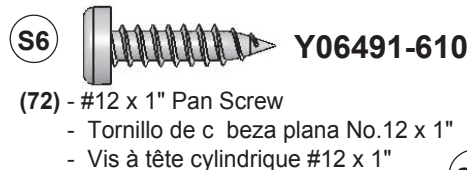
1-Y70800-182

- 14 x 12 Pavilion Gable Set
 - Ensemble gablete de Pavillon 14 x 12
 - Ensemble de pignon de Pavillon 14 x 12



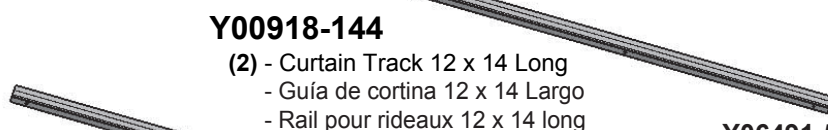
Y20118-036

- (4) - Tie Back Ribbon 1" x 35"
 - Lazo de sujeción de 1" x 35"
 - Ruban d'attache arrière 1" x 35"

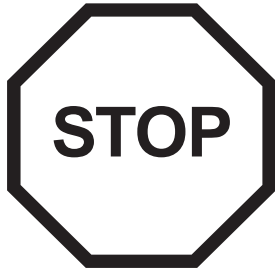


Y09991-600

- SB** (24) - #12 Screw Bezel
 - Bisel para tornillo No.12
 - Vis à collerette #12



Step 1: Inventory Parts - Paso 1: Piezas del inventario - Étape 1 : Inventaire des pièces



A. This is the time for you to inventory all your hardware and components referencing the parts identification sheets. This will assist you with your assembly.

- Each step indicates what you will need for assembly.

B. If there are any missing or damaged pieces or you need assistance with assembly please contact the consumer relations department directly. Call us before going back to the store.

C. Read the assembly manual completely, following the instructions in order.

A. Este es el momento en que debe hacer el inventario de todos los tornillos y accesorios consultando las hojas de identificación de piezas. Esto lo ayudará en el montaje.

- Cada paso indica los pernos y/o tornillos que necesitará para el montaje.

B. Si hay alguna pieza que falte o esté dañada, o si necesita ayuda con el montaje, por favor contáctese directamente con el departamento de atención al cliente. Llámenos antes de regresar a la tienda.

C. Lea todo el manual de instalación. Siga las instrucciones en orden.

A. Il est temps pour vous de faire l'inventaire de toute la quincaillerie et des accessoires présentés sur les pages d'identification. Cela vous facilitera la tâche d'assemblage.

- Chaque étape indique ce dont vous avez besoin pour l'assemblage.

B. Si des pièces sont manquantes ou endommagées, ou si vous avez besoin d'assistance pour l'assemblage, contactez le département des relations avec la clientèle directement. Appelez-nous avant de retourner en magasin

C. Lisez la totalité du manuel d'assemblage. Suivez les instructions dans l'ordre.

Yardistry – North America
Toll Free Customer Support: 1.888.509.4382
support@yardistrystructures.com
Monday - Friday 8:30 a.m. - 5:00 p.m. EST
English and French Operators

Yardistry – Norteamérica
Línea gratuita de servicio al cliente: 1.888.509.4382
support@yardistrystructures.com
Lunes - Viernes 8:30 a.m. - 5:00 p.m. EST
Operadores ingleses y franceses

Yardistry – Amérique du Nord
Service client sans frais: 1.888.509.4382
support@yardistrystructures.com
Lundi - Vendredi 8:30 a.m. - 5:00 p.m. EST
Opérateurs anglais et français

YM12834X

CARTON I.D. STAMP: / No. ID DE LA CAJA: / IDENTIFIANT DE BOÎTE:

— — — — —

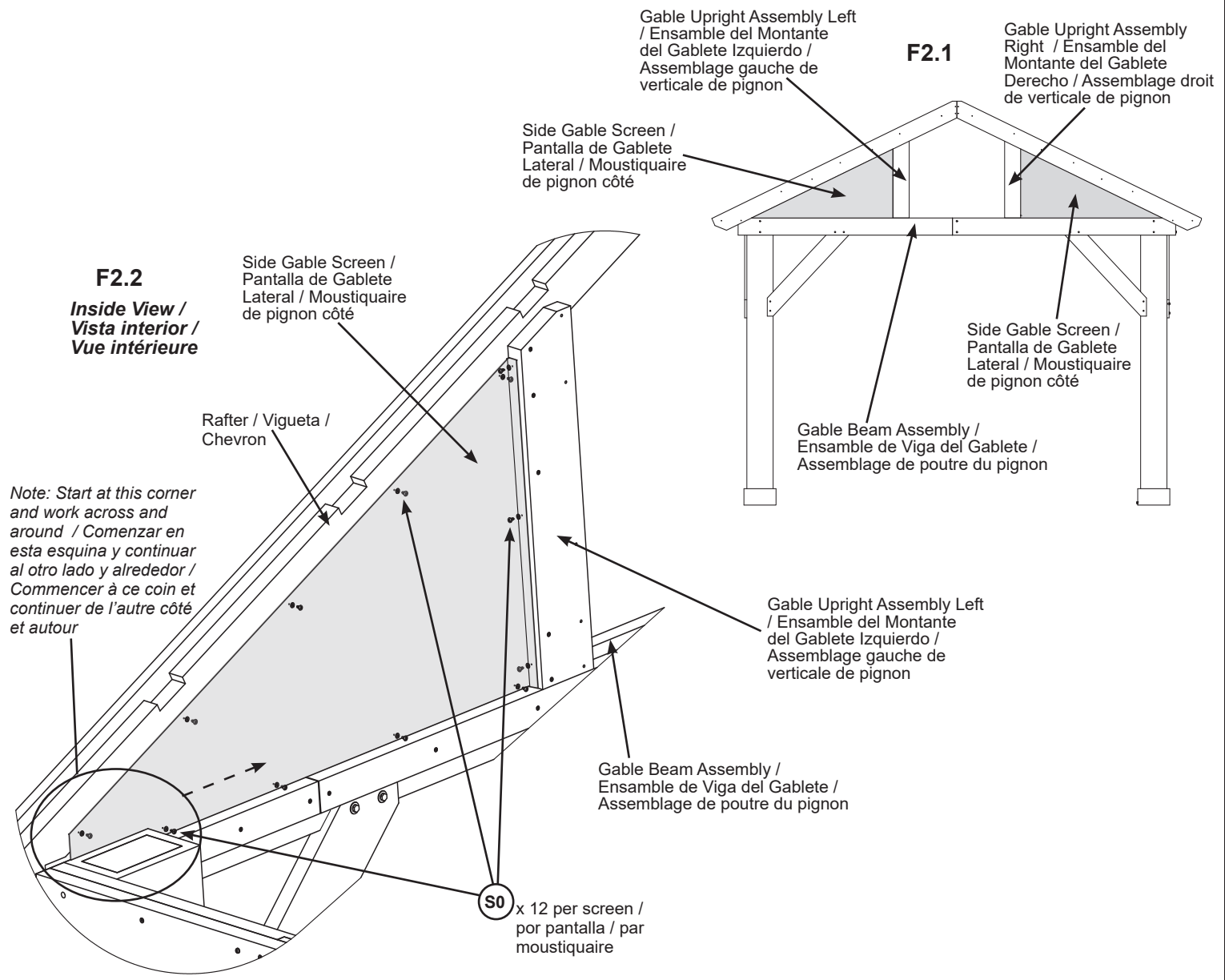
Step 2: Install Gable Screens, Part 1 - Paso 2: instalación de los Mosquiteros de Gablete, Parte 1 - Étape 2: Installation des moustiquaires de pignon, Partie 1



A: From inside the assembly place 1 Side Gable Screen in each side opening of the Gable and attach to Gable Beam Assembly, Rafter and inside edge of the Gable Upright Assemblies with 12 (S0) Truss Screws per Gable Screen. (F2.1 and F2.2)

A: Desde el interior del ensamble, coloque 1 Pantalla de Gablete Lateral a cada lado de la abertura del Gablete y fíjela al Ensamble de Vigas del Gablete, la Vigueta y al borde interior de los Ensamblados de Montantes del Gablete con 12 Tornillos de cabeza (S0) por Pantalla de Gablete. (F2.1 y F2.2)

A: : Depuis l'intérieur de l'assemblage placez une moustiquaire de pignon côté dans chaque ouverture des côtés du pignon et fixez à l'assemblage de poutre du pignon, au chevron et sur le bord intérieur des assemblages de verticale de pignon avec 12 Vis à tête bombée (S0) par moustiquaire de pignon. (F2.1 et F2.2)



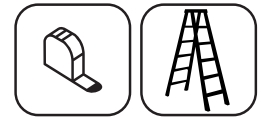
Components / Componentes / Composants

4 x Side Gable Screen / Pantalla de Gablete Lateral / Moustiquaire de pignon côté

Hardware / Tornillos y accesorios / Quincaillerie

48 x S0 #8 x 7/8"

Step 2: Install Gable Screens, Part 2 - Paso 2: instalación de los Mosquiteros de Gablete, Parte 2 - Étape 2: Installation des moustiquaires de pignon, Partie 2

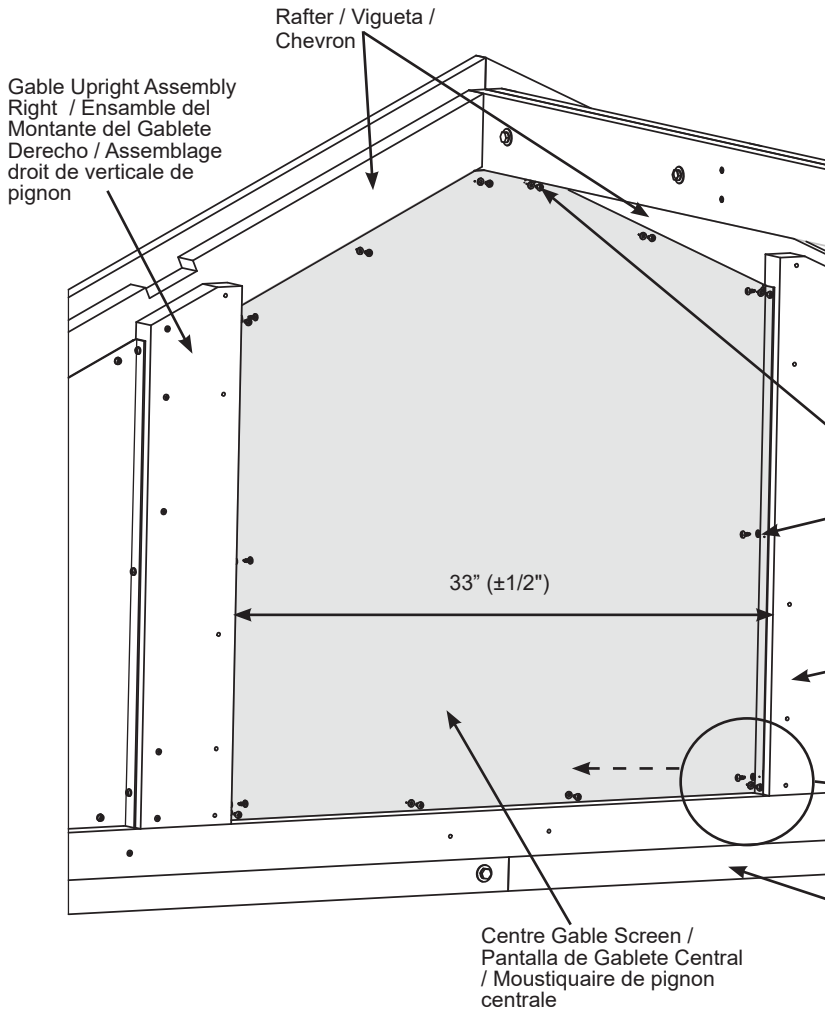


B: From inside the assembly place 1 Centre Gable Screen in each middle opening of the Gable and attach to Gable Beam Assembly, Rafters and inside edge of the Gable Upright Assemblies with 16 (S0) Truss Screws per Gable Screen. Distance between Gable Upright Assemblies must be 33" (±1/2"). (F2.3 and F2.4)

B: Desde el interior del ensamble, coloque 1 Pantalla de Gablete Central en cada abertura central del Gablete y fijela al Ensamble de Vigas del Gablete, las Viguetas y al borde interior de los Ensamblados de Montantes del Gablete con 16 Tornillos de cabeza (S0) por Pantalla de Gablete. La distancia entre los Ensamblados de los Montantes del Gablete debe ser de 33" (±1/2"). (F2.3 y F2.4)

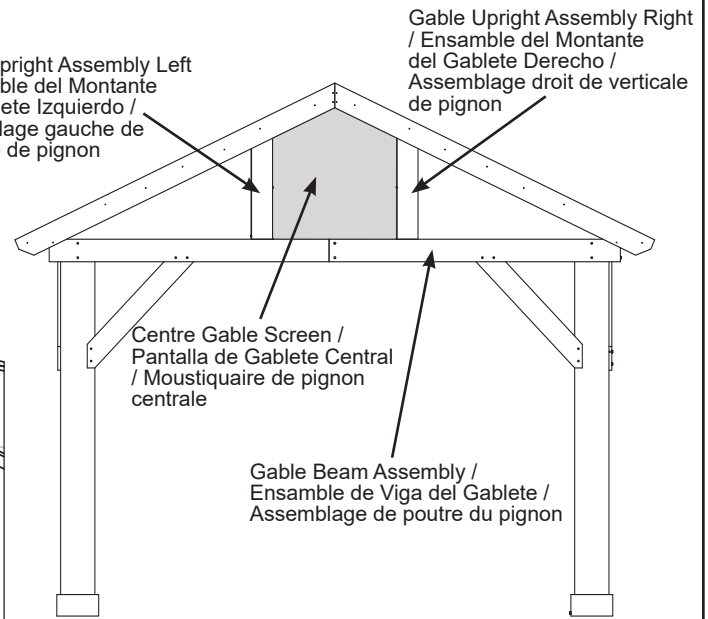
B: Depuis l'intérieur de l'assemblage placez une moustiquaire de pignon centrale dans chaque ouverture du milieu du pignon et fixez à l'assemblage de poutre du pignon, aux chevrons et sur le bord intérieur des assemblages de verticale de pignon avec 16 Vis à tête bombée (S0) par moustiquaire de pignon. La distance entre les assemblages de verticales de pignon doit être de 33" (±1/2"). (F2.3 et F2.4)

F2.4
Inside View /
Vista interior /
Vue intérieure



F2.3

Gable Upright Assembly Left / Ensamble del Montante del Gablete Izquierdo / Assemblage gauche de verticale de pignon



x 16 per screen /
por pantalla / par
moustiquaire

Gable Upright Assembly Left / Ensamble del Montante del Gablete Izquierdo / Assemblage gauche de verticale de pignon

Note: Start at this corner and work across and around / Comenzar en esta esquina y continuar al otro lado y alrededor / Commencer à ce coin et continuer de l'autre côté et autour

Gable Beam Assembly / Ensamble de Viga del Gablete / Assemblage de poutre du pignon

Components / Componentes / Composants

2 x Centre Gable Screen / Pantalla de Gablete Central / Moustiquaire de pignon centrale

Hardware / Tornillos y accesorios / Quincaillerie

32 x (S0) #8 x 7/8"

Step 3: Attach Curtain Tracks, Gable Beam - Paso 3: Fijación de la guía de cortina, Viga del Gablete - Étape 3: Fixation des rails pour rideau, Poutre de pignon

Instructions - Instrucciones - Instructions



A: From the inside of the assembly find the centre on one Gable Beam Assembly then place one Curtain Track 14 Gable Side at the centre mark. Track should sit flush to the bottom of (549) Gable Inside (2" up from bottom of assembly). Pre-drill with a 1/8" drill bit then attach Curtain Track 14 Gable Side to (549) Gable Inside and (548) Gable End with five (S6) Pan Screws. (F3.1, F3.2 and F3.3)

B: Slide 16 Curtain Hangers in the channel of the Curtain Track 14 Gable Side which is furthest from the beam. Hangers should be able to slide easily and are able to turn. (F3.2)

C: Tight to the first Curtain Track 14 Gable Side and flush to the bottom of (549) Gable Inside place a second Curtain Track 14 Gable Side. Pre-drill with a 1/8" drill bit then attach to (549) Gable Inside and (548) Gable End with five (S6) Pan Screws. Curtain Hangers should be able to slide freely between both tracks. (F3.3 and F3.4)

D: Repeat Steps A-C for the other Gable Beam Assembly.

A: Desde el interior del ensamble, busque el centro de un Ensamble de Vigas del Gablete y coloque una Guía de Cortina-Lateral de Gablete 14 en la marca central. La guía debe asentarse nivelada con la parte inferior del Gablete Interior (549) (a 2" de la base del ensamble). Pre-perfore con mecha de 1/8" y luego fije la Guía de Cortina-Lateral de Gablete 14 al Gablete Interior (549) y al Extremo del Gablete (548) con cinco tornillos de cabeza plana (S6). (F3.1, F3.2 y F3.3)

B: Deslice 16 Ganchos de Cortina por el canal de la Guía de Cortina-Lateral de Gablete 14 que está más alejado de la viga. Los ganchos deben poder deslizarse y girar fácilmente. (F3.2)

C: Contra la primera Guía de Cortina-Lateral de Gablete 14 y nivelada con la parte inferior del Gablete Interior (549), coloque una segunda Guía de Cortina-Lateral de Gablete 14. Pre-perfore con mecha de 1/8" y luego fijela al Gablete Interior (549) y al Extremo del Gablete (548) con cinco tornillos de cabeza plana (S6). Los ganchos deben poder deslizarse libremente entre ambas guías. (F3.3 y F3.4)

D: Repita los Pasos A-C para el otro Ensamble de Vigas del Gablete.

A: De l'intérieur de l'assemblage, trouvez le centre sur un assemblage de poutre de pignon, puis placez un rail pour rideau 14 côté pignon sur la marque centrale. Le rail devrait reposer bien appuyé sur le bas de l'intérieur de pignon (549) (2" vers le haut à partir du bas de l'assemblage). Pré-percez avec un embout de 1/8" puis fixez le rail de rideau 14 côté pignon à l'Intérieur de pignon (549) et à l'Extrémité de pignon (548) avec cinq Vis à tête cylindrique (S6). (F3.1, F3.2 et F3.3)

B: Glissez 16 supports à rideaux dans le sillon du rail pour rideau 14 côté pignon qui est le plus loin de la poutre. Les supports devraient glisser aisément et être en mesure de tourner. (F3.2)

C: Bien appuyé au premier rail pour rideau 14 côté pignon et bien appuyé au bas de l'intérieur de pignon (549), placez un second rail pour rideau 14 côté pignon. Pré-percez avec un embout de 1/8" puis fixez le rail de rideau 14 côté pignon à l'Intérieur de pignon (549) et à l'Extrémité de pignon (548) avec cinq Vis à tête cylindrique (S6). Les supports à rideau devraient glisser aisément entre les rails. (F3.3 et F3.4)

D: Répétez les étapes A-C pour l'autre assemblage de poutre de pignon.

Components / Componentes / Composants

4 x Curtain Track 14 Gable Side / Guía de Cortina-Lateral de Gablete 14
/ Rail pour rideau 14 côté pignon

Hardware / Tornillos y accesorios / Quincaillerie

20 x (S6) #12 x 1"

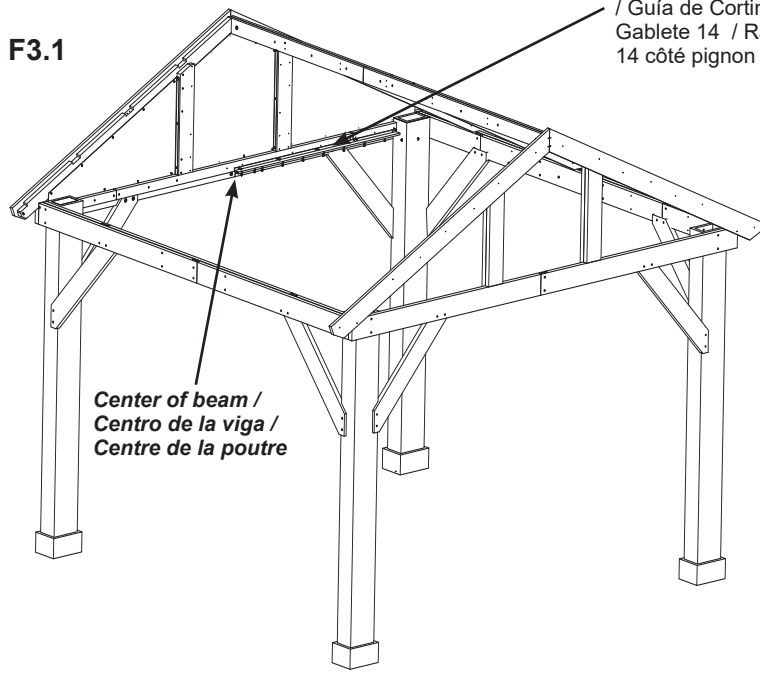
32 x Curtain Hangers / Ganchos de cortina /
Supports à rideaux

Step 3: Attach Curtain Tracks, Gable Beam - Paso 3: Fijación de la guía de cortina, Viga del Gablete - Étape 3: Fixation des rails pour rideau, Poutre de pignon



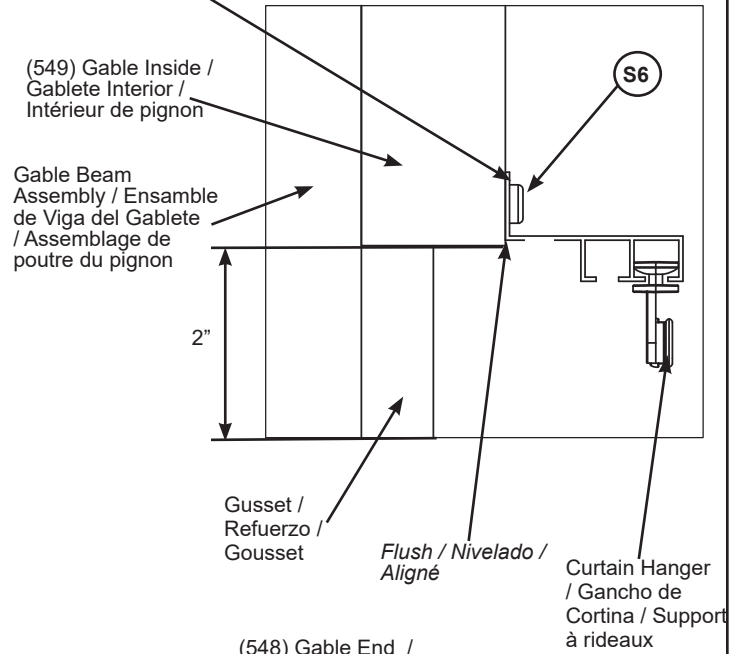
Images - Fotos - Images

F3.1

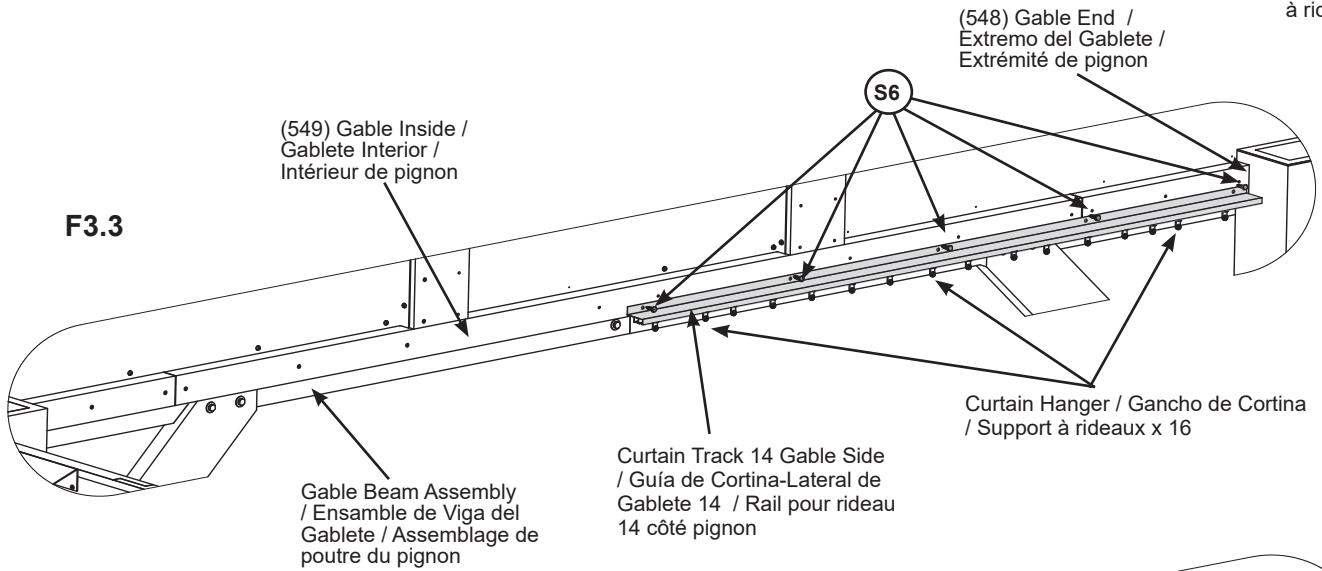


F3.2

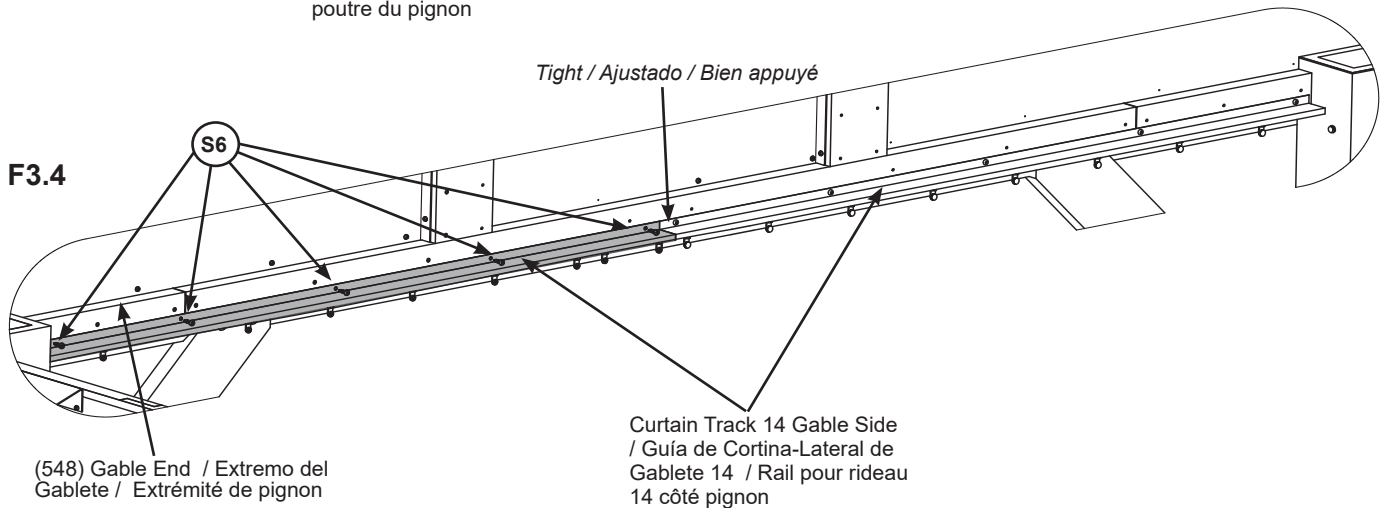
Side View / Vista lateral / Vue de côté



F3.3



F3.4



Step 4: Attach Curtain Track, Side Beam - Paso 4: Fijación de las guías de cortina, Viga Lateral - Étape 4 : Fixation des rails pour rideau, Poutre latérale



Instructions - Instrucciones - Instructions

A: From the inside of the assembly on one Side Beam Assembly place one Curtain Track 12 x 14 Short tight to the Post Assembly. Track should sit tight on top of the gusset (2" up from bottom of Side Beam Assembly). Attach Curtain Track 12 x 14 Short to Side Beam Assembly with five (S6) Pan Screws. (F4.1 and F4.2)

B: Slide 16 Curtain Hangers in the channel of the Curtain Track 12 x 14 Short which is furthest from the beam. Hangers should be able to slide easily and are able to turn. (F4.3)

C: Tight to Curtain Track 12 x 14 Short and tight to the top of the gusset place one Curtain Track 12 x 14 Long and attach to Side Beam Assembly with five (S6) Pan Screws. Curtain Hangers should be able to slide freely between both tracks. (F4.1 and F4.4)

D: Repeat Steps A-C for the other Side Beam Assembly.

A: Desde el interior de un Ensamble de Viga Lateral, coloque una Guía de Cortina 12 x 14 Corta contra el Ensamble del Poste. La guía debe quedar bien asentada sobre la parte superior del refuerzo (a 2" de la base del Ensamble de Viga Lateral). Fije la Guía de Cortina 12 x 14 Corta al Ensamble de Viga Lateral con cinco tornillos de cabeza plana (S6). (F4.1 y F4.2)

B: Deslice 16 Ganchos de Cortina por el canal de la Guía de Cortina 12 x 14 Corta que está más alejado de la viga. Los ganchos deben poder deslizarse y girar fácilmente. (F4.3)

C: Contra la Guía de Cortina 12 x 14 Corta y la parte superior del refuerzo, coloque una Guía de Cortina 12 x 14 Larga y fíjela al Ensamble de Viga Lateral con cinco tornillos de cabeza plana (S6). Los ganchos deben poder deslizarse libremente entre ambas guías. (F4.1 y F4.4)

D: Repita los pasos A-C para el otro Ensamble de Vigas del Gablete.

A: De l'intérieur de l'assemblage sur un assemblage de poutre latérale, placez un rail de rideau 12 x 14 court bien appuyé sur l'assemblage de montant. Le rail devrait être bien appuyé sur le haut du gousset (2" vers le haut à partir du bas de l'assemblage de poutre latérale). Fixez le rail pour rideau 12 x 14 court à l'assemblage de poutre latérale avec cinq Vis à tête cylindrique (S6). (F4.1 et F4.2)

B: Glissez 16 Supports à rideau dans le sillon du rail pour rideau 12 x 14 court qui est le plus loin de la poutre. Les supports devraient glisser aisément et être en mesure de tourner. (F4.3)

C: Bien appuyé au rail pour rideau 12 x 14 court et bien appuyé au haut du gousset, placez un rail pour rideau 12 x 14 long et fixez à l'assemblage de poutre latérale avec cinq Vis à tête cylindrique (S6). Les supports à rideau devraient glisser aisément entre les rails. (F4.1 et F4.4)

D: Répétez les étapes A-C pour l'autre assemblage de poutre latérale.

Components / Componentes / Composants

2 x Curtain Track 12 x 14 Short / Guía de cortina 12 x 14 Corta
/ Rail pour rideau 12 x 14 court

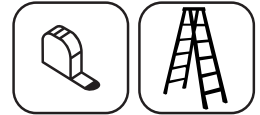
2 x Curtain Track 12 x 14 Long / Guía de cortina 12 x 14 Larga
/ Rail pour rideau 12 x 14 long

Hardware / Tornillos y accesorios / Quincaillerie

20 x (S6) #12 x 1"

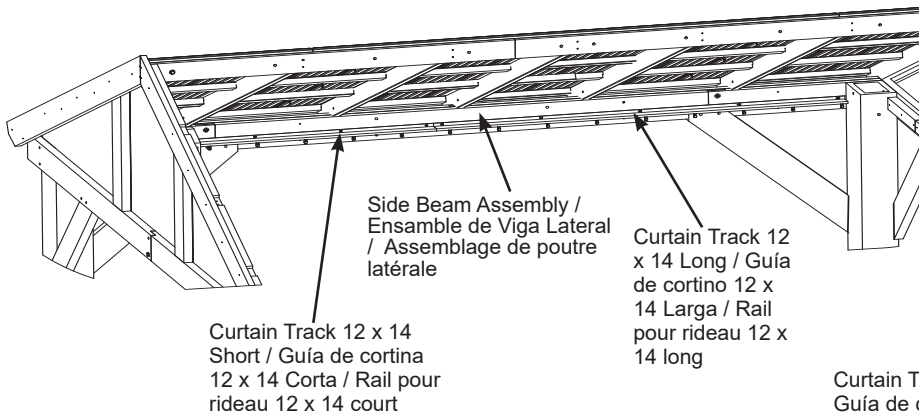
32 x Curtain Hangers / Ganchos de cortina / Supports à rideaux

Step 4: Attach Curtain Track, Side Beam - Paso 4: Fijación de las guías de cortina, Viga Lateral - Étape 4 : Fixation des rails pour rideau, Poutre latérale



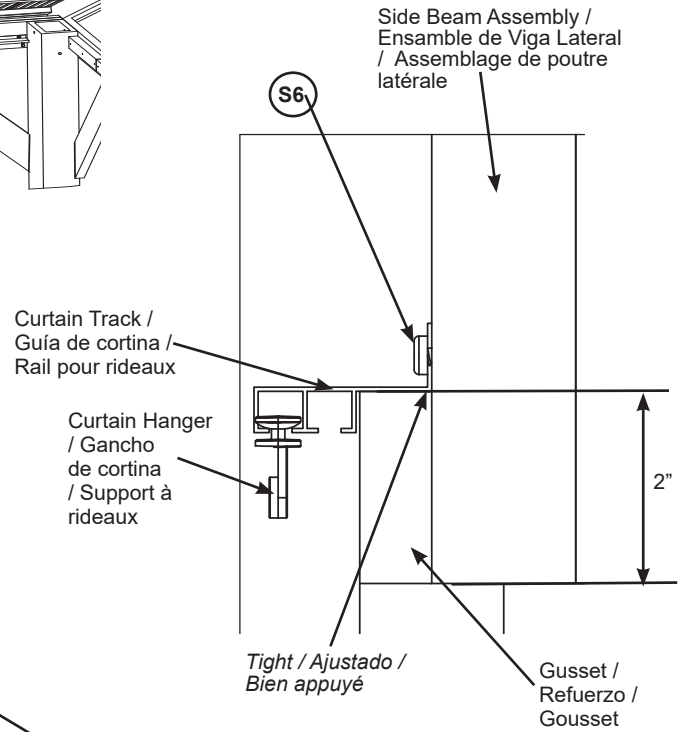
Images - Fotos - Images

F4.1



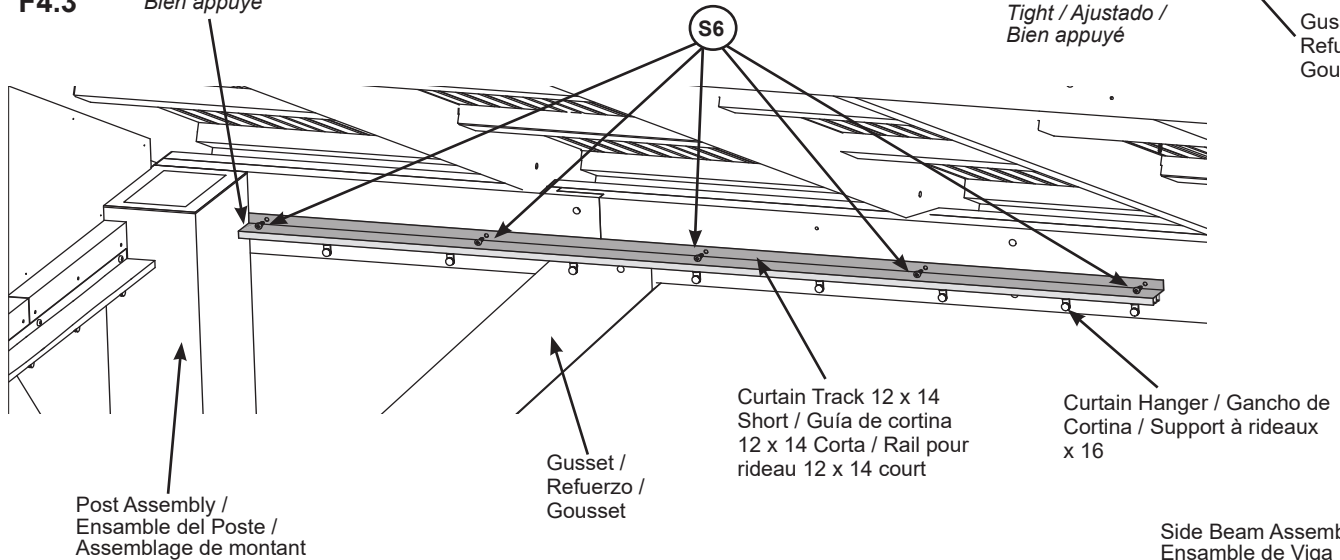
F4.2

Side View / Vista lateral / Vue de côté

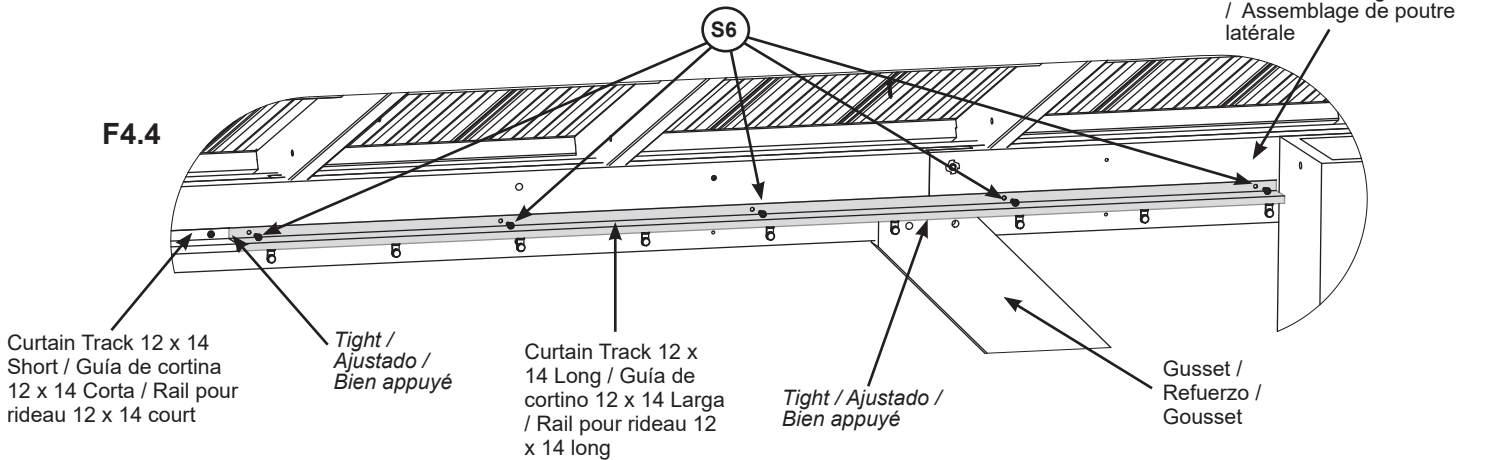


F4.3

Tight / Ajustado / Bien appuyé



F4.4



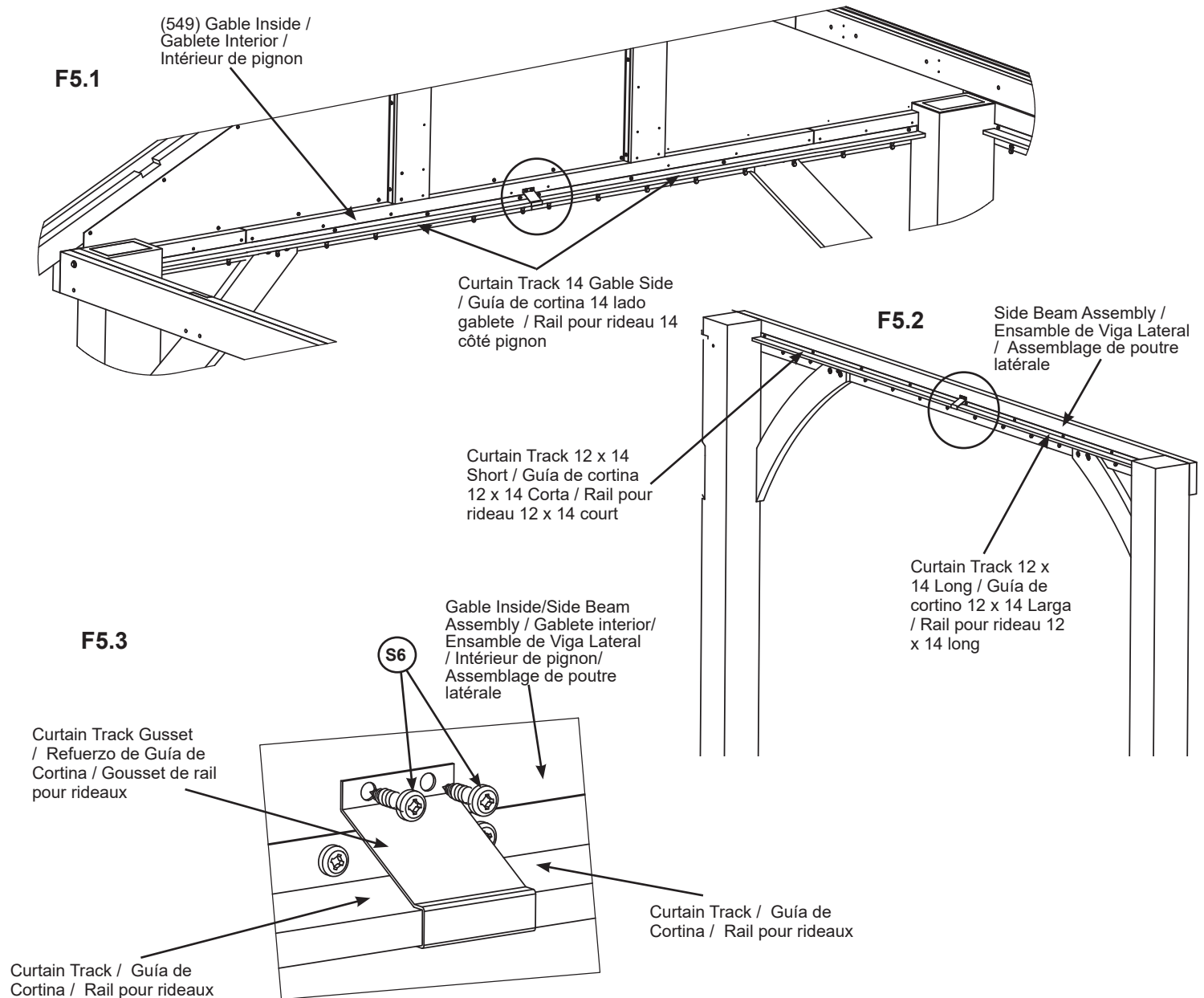
Step 5: Attach Curtain Track Gussets - Paso 5: Fijación de los refuerzos de las guías de cortina - Étape 5 : Fixation des goussets de rail pour rideaux



A: Where each set of Curtain Tracks meet attach tracks to (549) Gable Inside and Side Beam Assemblies with one Curtain Track Gusset using two (S6) Pan Screws per Curtain Track Gusset. (F5.1, F5.2 and F5.3)

A: Donde se une cada juego de Guías de Cortina fije las guías a el Gablete Interior (549) y los Ensamblajes de Vigas laterales con un Refuerzo de Guía de Cortina y dos Tornillos de cabeza plana (S6) por Refuerzo de Guía de Cortina. (F5.1, F5.2 y F5.3)

A: Là où chaque ensemble de rails pour rideau se rencontrent fixez les rails à l'Intérieur de pignon (549) et aux assemblages de poutres latérales avec un Gousset de rail pour rideau avec deux Vis à tête cylindrique (S6) par Gousset de rail pour rideau. (F5.1, F5.2 et F5.3)



Components / Componentes / Composants

4 x Curtain Track Gusset / Refuerzo de Guía de Cortina / Gousset de rail pour rideaux

Hardware / Tornillos y accesorios / Quincaillerie

8 x (S6) #12 x 1"

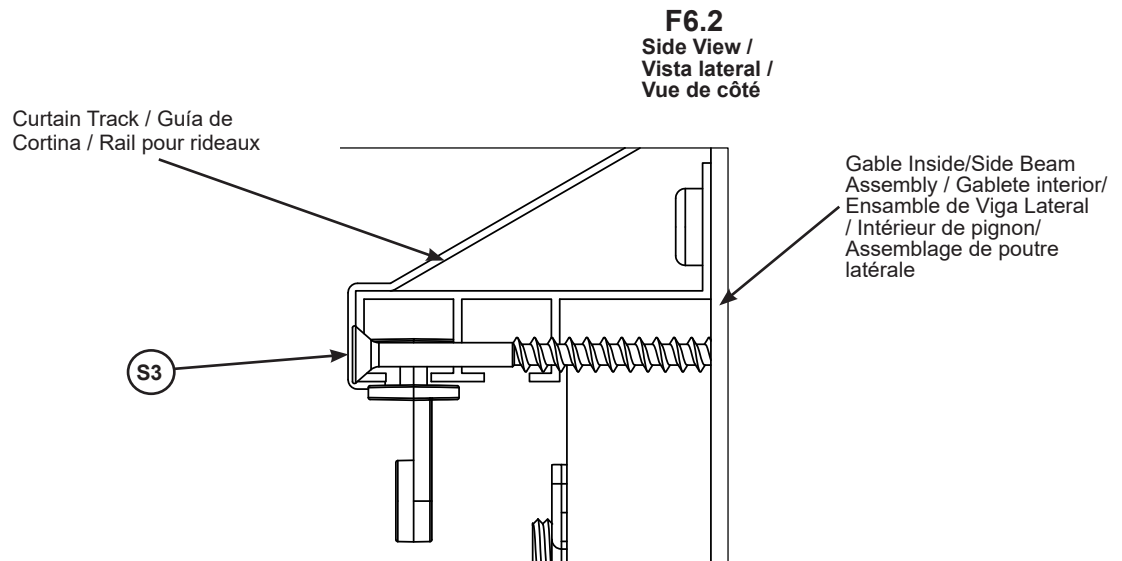
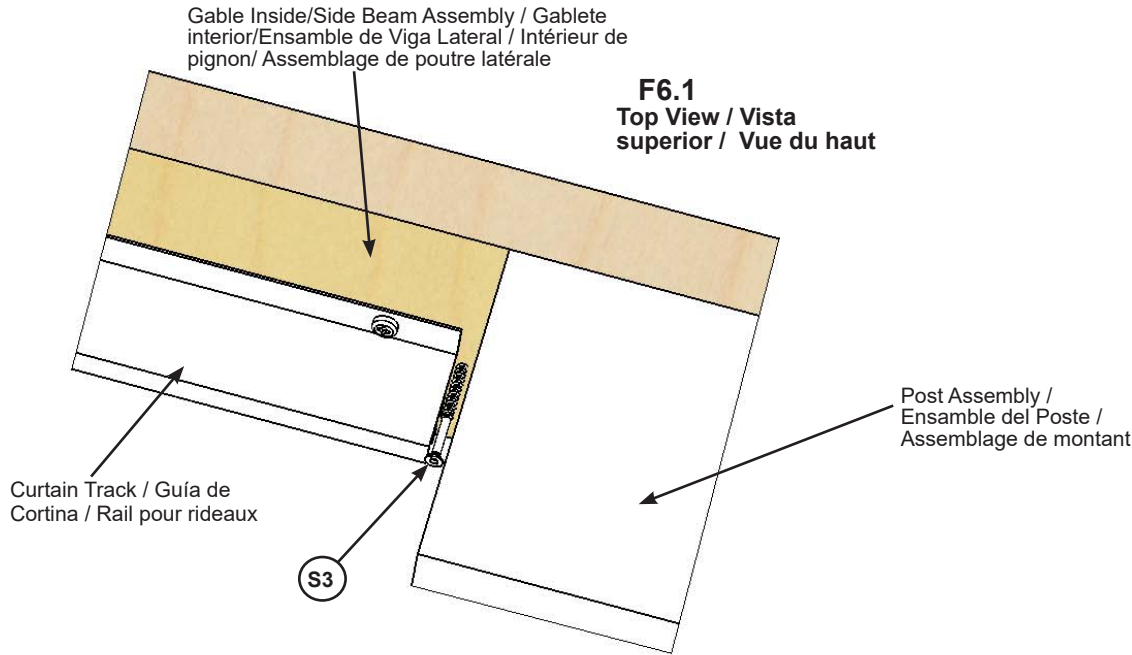
Step 6: Attach End Screws - Paso 6: Fijación de los tornillos de los extremos - Étape 6 : Fixation de vis d'extrémité



A: If there is a gap between the Curtain Track and the Post Assembly install one (S3) Wood Screw into (549) Gable Insides and Side Beam Assemblies where needed. This will prevent the Curtain Hangers from falling out of the tracks. (F6.1 and F6.2)

A: Si queda un espacio entre la Guía de Cortina y el Ensamble del Poste, instale un tornillo para madera (S3) en los Gabletes Interiores (549) y los Ensamblajes de Vigas Laterales, si es necesario, para evitar que los Ganchos de Cortina se salgan de las guías. (F6.1 y F6.2)

A: S'il y a un espace entre le rail pour rideau et l'assemblage de montant, installez une Vis à bois (S3) dans les Intérieurs de pignon (549) et dans les assemblages de poutres latérales là où cela est requis. Cela évitera que les supports à rideaux tombent des rails. (F6.1 et F6.2)



Hardware / Tornillos y accesorios / Quincaillerie

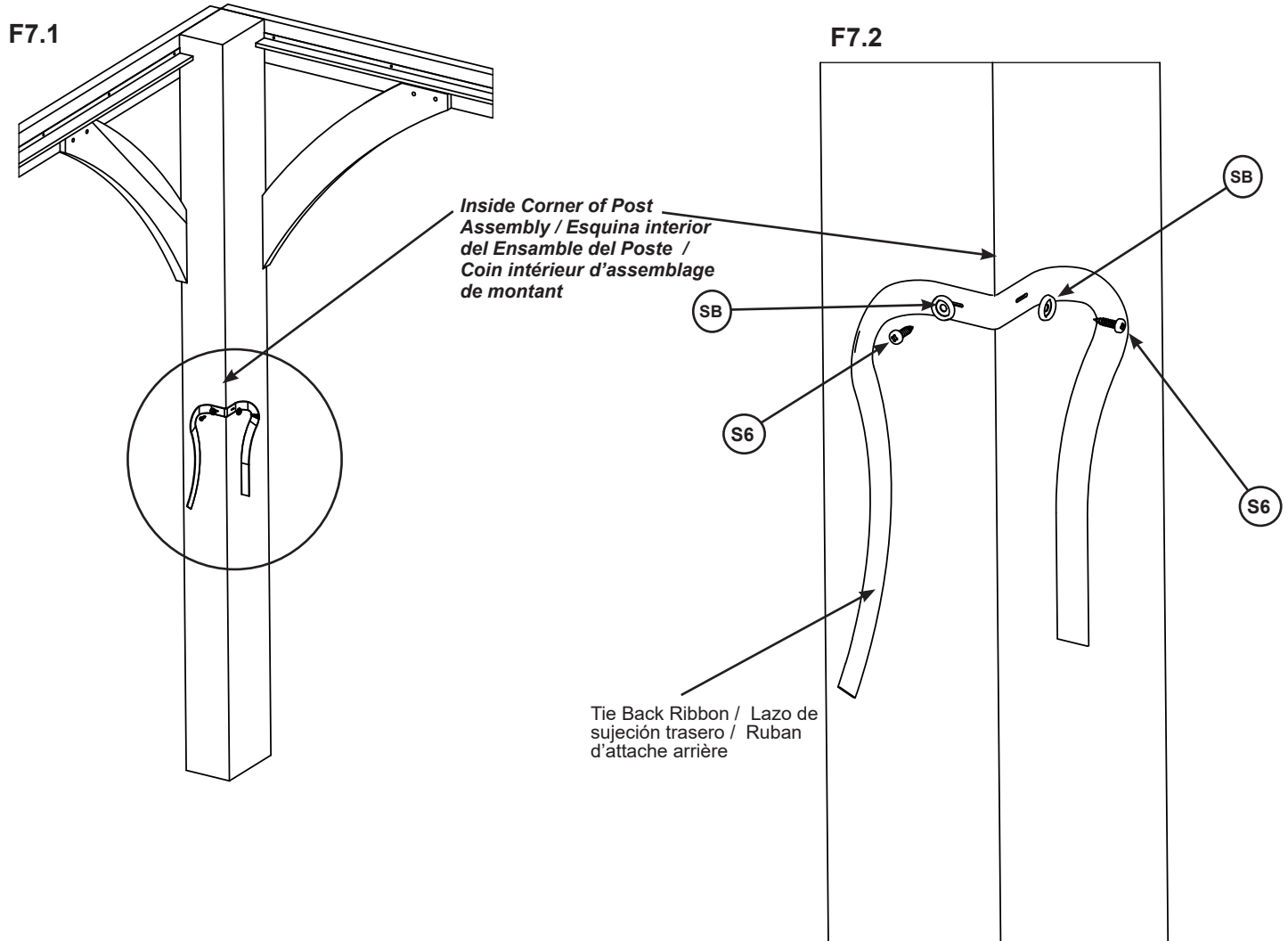
8 x  #8 x 2-1/2"

**Step 7: Attach Tie Back Ribbons - Paso 7: Colocación de los lazos traseros -
Étape 7 : Fixation des rubans d'attache arrière**

A: On the inside corner of each Post Assembly attach one Tie Back Ribbon using 2 (S6) Pan Screws (with SB) per ribbon. (F7.1 and F7.2)

A: En la esquina interior de cada Ensemble del Poste, fije un Lazo de Sujeción Trasero con 2 tornillos de cabeza plana (con SB) por lazo. (F7.1 y F7.2)

A: Dans le coin intérieur de chaque assemblage de montant, fixez un ruban d'attache arrière à l'aide de 2 Vis à tête cylindriques (S6) (avec SB) par ruban. (F7.1 et F7.2)



Components / Componentes / Composants

4 x Tie Back Ribbon / Lazo de Sujeción Trasero / Ruban d'attache arrière

Hardware / Tornillos y accesorios / Quincaillerie

8 x S6 12 x 1"

8 x SB #12 Screw Bezel / Bisel para tornillo No.12 / Vis à collerette #12

Step 8: Attach Insect Panel Part 1 - Paso 8: Fijación de panel mosquitero Parte 1 - Étape 8 : Fixation du Panneau pour insecte Partie 1



A: Starting at the centre of one Gable Beam Assembly attach one Insect Panel using the button snaps to 8 Curtain Hangers then attach Insect Panel to 8 Curtain Hangers on Side Beam Assembly. (F8.1, F8.2 and F8.3)

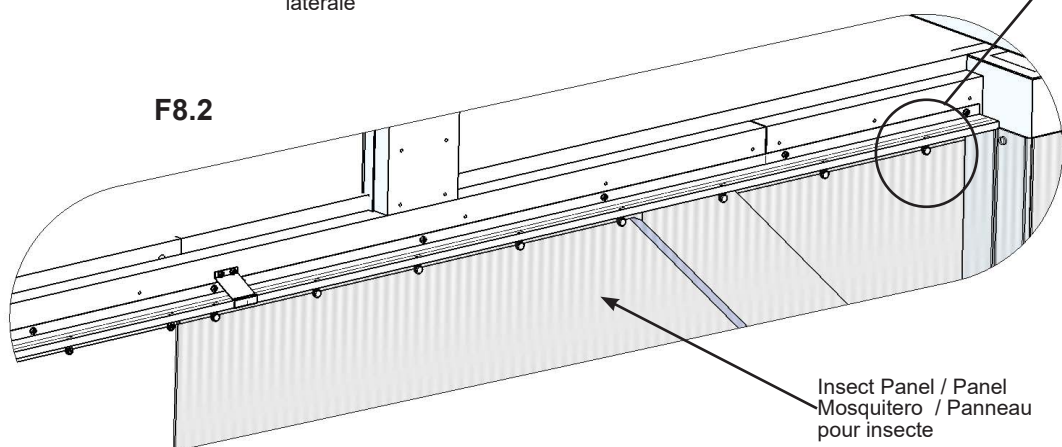
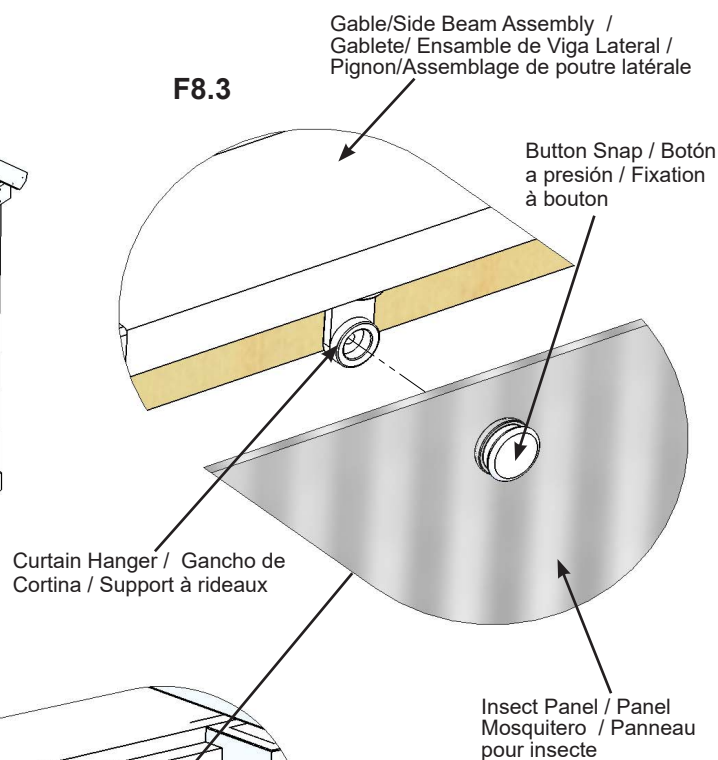
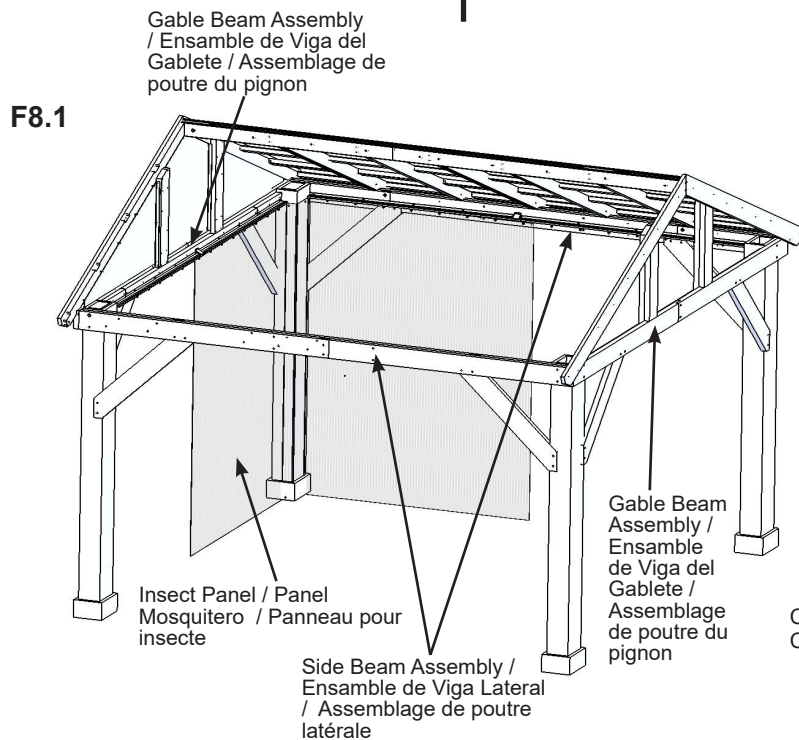
B: Repeat Step A for remaining 3 Insect Panels, starting at the end of the first panel and continuing around the Pavilion.

A: Comenzando por el centro de un Ensemble de Viga del Gablete, fije un Panel Mosquitero usando los botones a presión a 9 Ganchos de Cortina y luego fijelo a 7 Ganchos de Cortina en el Ensemble de Viga Lateral. (F8.1, F8.2 y F8.3)

B: Repita el paso A para los 3 Paneles Mosquiteros restantes, comenzando al final del primer panel y continuando alrededor del Pavillon.

A: En débutant au centre de l'un des assemblages de poutre du pignon, fixez un Panneau pour insecte à l'aide des fixations à bouton aux 9 Supports à rideaux puis fixez le Panneau pour insecte aux 7 supports à rideaux à l'assemblage de poutre latérale. (F8.1, F8.2 et F8.3)

B: Répétez l'étape A pour les 3 Panneaux pour Insecte restants, en débutant à l'extrémité du premier panneau et en poursuivant autour du Pavillon.



Components / Componentes / Composants

4 x Insect Panel / Panel Mosquitero / Panneau pour insecte

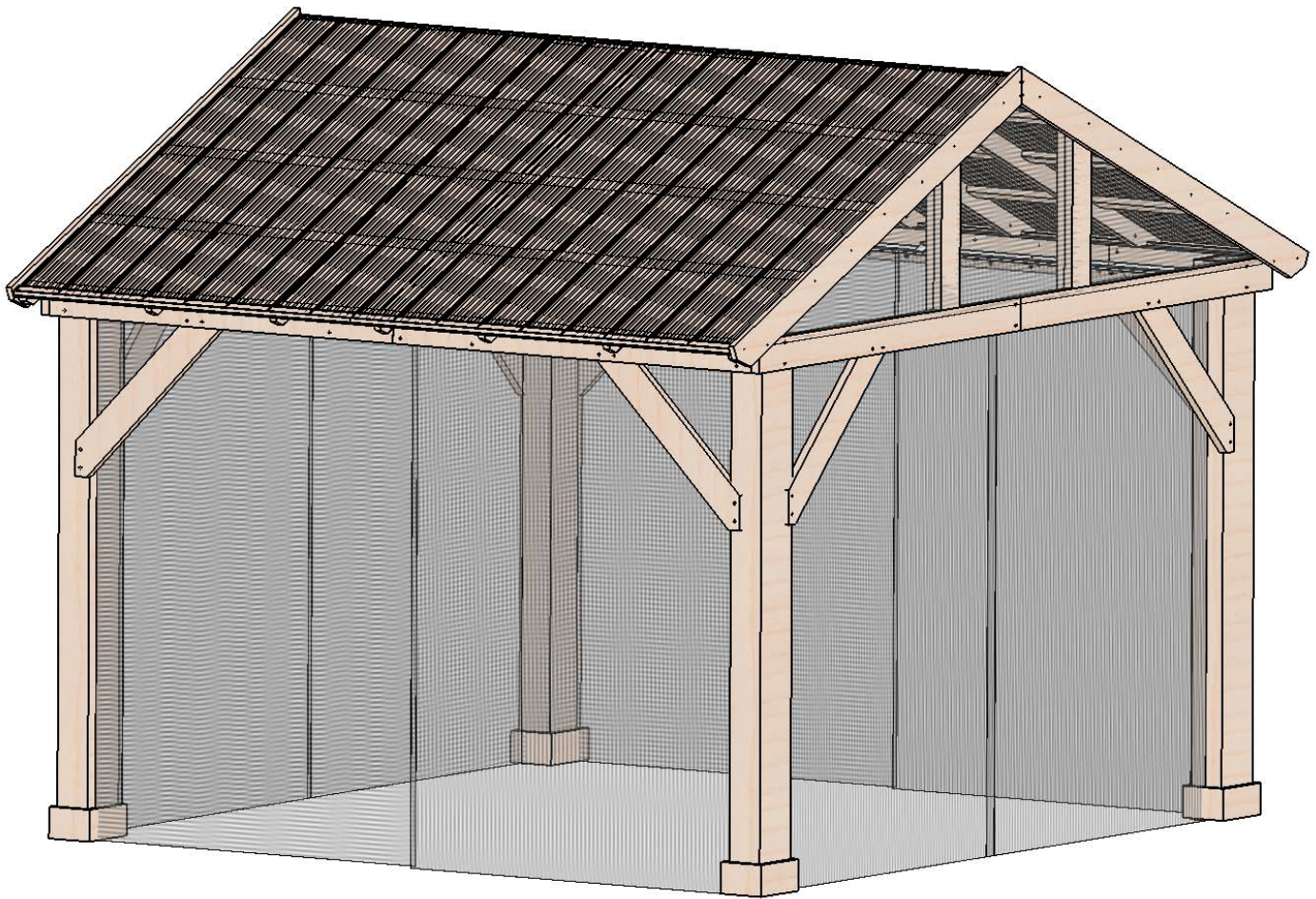
**Step 8: Attach Insect Panel Part 2 - Paso 8: Fijación de panel mosquitero Parte 2 -
Étape 8 : Fixation du panneau pour insecte Partie 2**

C: Join Insect Panels by zipping them together. (F8.4)

C: Una los Paneles Mosquiteros con el cierre de cremallera. (F8.4)

C: Joignez les panneaux pour insecte en fermant la fermeture éclair les reliant. (F8.4)

F8.4



Step 9: Attach Insect Panels to Posts - Paso 9: Fijación de los paneles mosquiteros a los postes - Étape 9 : Fixation des panneaux pour insecte aux montants



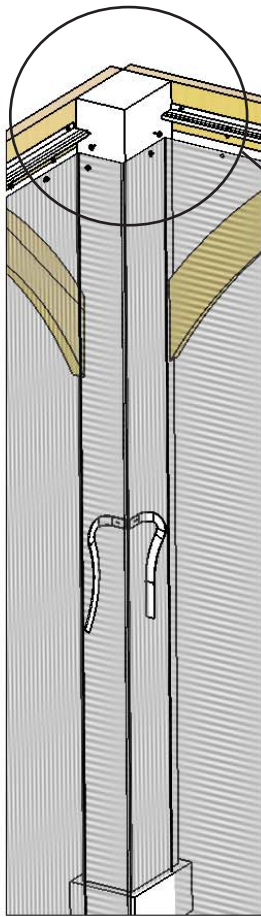
A: At the top of each Post Assembly locate Button Snaps on Insect Panel then fasten Male Snaps with Screw to Post Assembly so it lines up with the Button Snap. Connect Button Snaps to Male Snaps. (F9.1 and F9.2)

A: En la parte superior de cada Ensamble del Poste, ubique los Botones a Presión de los Paneles Mosquiteros y ajuste los Broches Machos con Tornillo al Ensamble del Poste de manera que coincidan con los Botones a Presión. Conecte los Botones a Presión con los Broches Machos. (F9.1 y F9.2)

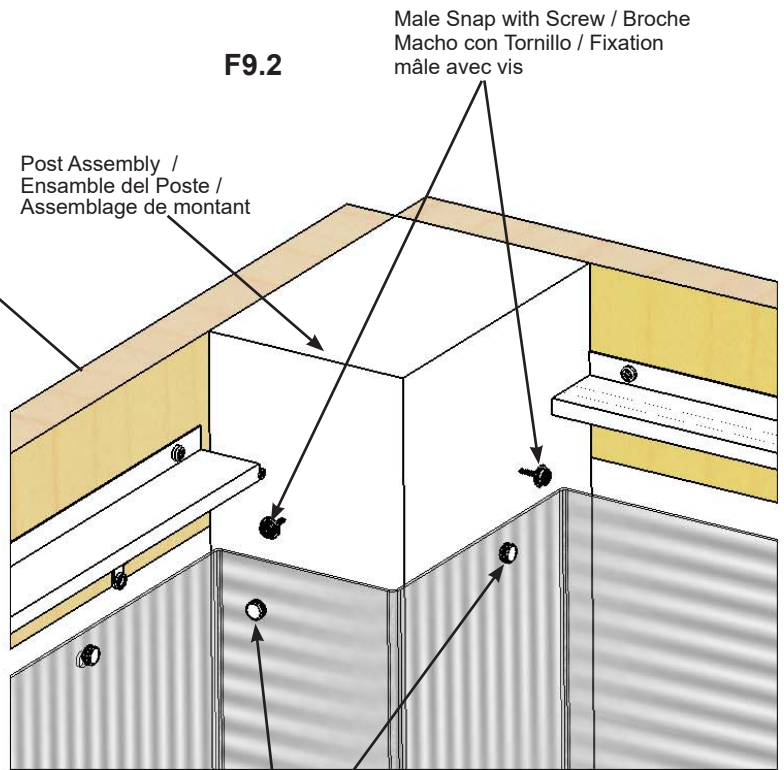
A: Au haut de chaque Assemblage de montant, situez les Fixations à bouton sur le Panneau pour insecte, puis posez les Fixations mâles avec vis à l'assemblage de montant en les alignant avec les Fixations à bouton. Fermez les fixations en les joignant. (F9.1 et F9.2)

Top of Post Assembly / Parte superior del Ensamble del Poste / Dessus de l'assemblage de montant

F9.1



F9.2



Button Snap / Botón a presión / Fixation à bouton

Hardware / Tornillos y accesorios / Quincaillerie

8 x Male Snap with Screw / Broche Macho con Tornillo / Fixation mâle avec vis

Step 10: Secure Insect Panels - Paso 10: Sujeción permanente de los paneles mosquiteros - Étape 10 : Pose des panneaux pour insectes



Note: Only complete this step if you plan on keeping your Insect Panels up at all times.

A: Secure Insect Panels to outside corners of Post Assemblies with 2 (S6) Pan Screws (with SB) on the top and bottom of each post. (F10.1 and F10.2)

Nota: Realice este paso solo si planea dejar colocados los paneles mosquiteros en forma permanente.

A: Fije los Paneles Mosquiteros a las esquinas exteriores de los Ensamblajes del Poste con 2 Tornillos de cabeza plana (S6) (con SB) en la parte superior e inferior de cada poste. (F10.1 y F10.2)

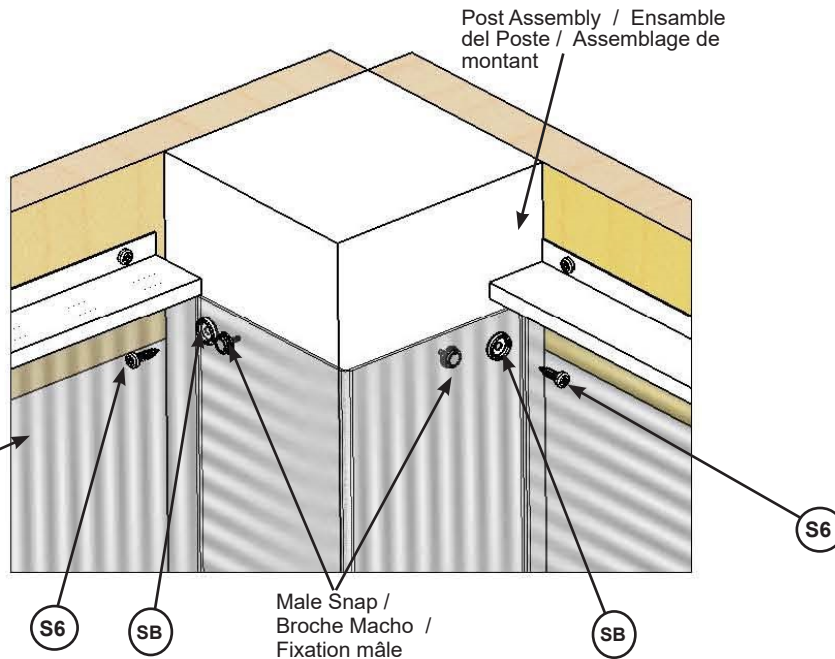
Note: Complétez cette étape uniquement si vous planifiez de garder les panneaux pour insectes installés en tout temps.

A: Fixez les panneaux pour insecte aux coins extérieurs des assemblages de montant avec 2 Vis à tête cylindriques (S6) (avec SB) au haut et au bas de chaque montant. (F10.1 et F10.2)

F10.1

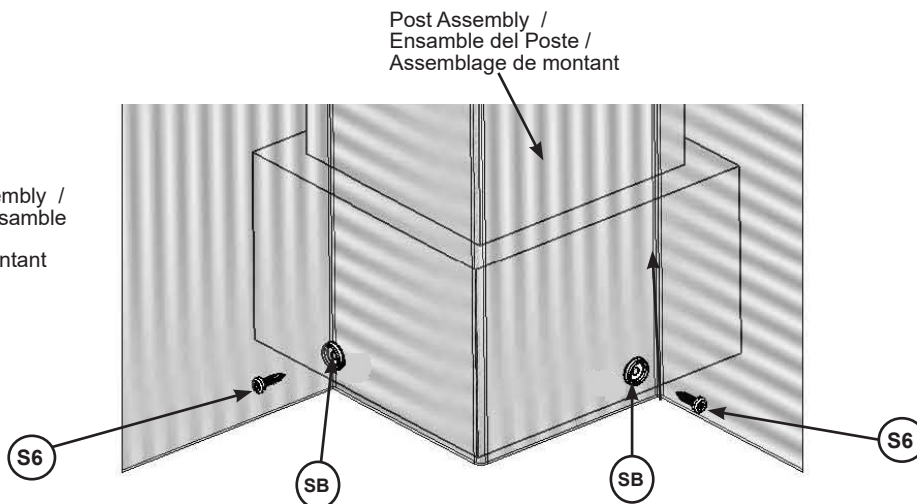
Top of Post Assembly / Parte superior del Ensamble del Poste / Haut de l'assemblage de montant

Insect Panel / Panel Mosquitero / Panneau pour insecte



F10.2

Bottom of Post Assembly / Parte inferior del Ensamble del Poste / Bas de l'assemblage de montant



Hardware / Tornillos y accesorios / Quincaillerie

16 x #12 x 1"

16 x #12 Screw Bezel / Bisel para tornillo

No.12 / Vis à collerette #12

Limited Warranty - Garantía Limitada - Garantie limitée

Yardistry warrants that this product is free from defect in materials and workmanship for a period of one (1) year from the original date of purchase. In addition, for any product with lumber, all lumber is warranted for five (5) years against rot and decay. This warranty applies to the original owner and registrant and is non-transferable.

Regular maintenance is required to assure the integrity of your product and is a requirement of the warranty. This warranty does not cover any inspection costs.

This Limited Warranty does not cover:

- Labour for replacement of any defective item(s);
- Incidental or consequential damages;
- Cosmetic defects which do not affect performance or integrity;
- Vandalism; improper use or installation; acts of nature, including but not limited to wind, storms, hail, floods, excessive water exposure;
- Minor twisting, warping, checking or any other natural occurring properties of wood that do not affect performance or integrity.

Yardistry products have been designed for safety and quality. Any modifications made to the original product could damage the structural integrity of the product leading to failure and possible injury. Yardistry cannot assume any responsibility for modified products. Furthermore, modification voids any and all warranties.

This product is warranted for RESIDENTIAL USE ONLY. Yardistry disclaims all other representations and warranties of any kind, express or implied.

This Warranty gives you specific legal rights. You may have other rights as well which vary from state to state or province to province. This warranty excludes all consequential damages, however, some states/provinces do not allow the limitation or exclusion of consequential damages, and therefore this limitation may not apply to you.

Yardistry garantiza que este producto está libre de defectos en materiales y mano de obra por un período de un (1) año de la fecha original de compra. Adicionalmente, para cualquier product con madera, toda la madera está garantizada por cinco (5) años contra la degradación y putrefacción. Esta garantía aplica al dueño original y registrante y no es transferible.

Se requiere mantenimiento regular para asegurar la integridad de su producto y es un requisito de la garantía. Esta garantía no cubre cualquier costo de inspección..

Esta Garantía Limitada no cubre:

- Trabajo para el reemplazo de cualquier artículo(s) defectuoso;
- Daños incidentales o consecuentes;
- Defectos cosméticos que no afecten el rendimiento o la integridad;
- Vandalismo, uso o instalación inapropiados, actos de la naturaleza incluyendo pero no limitándose a los vientos, tormentas, granizo, inundaciones, exceso de exposición al agua;
- Menor torsión, deformación, agrietado, o cualquier otra propiedad natural concurrente a la madera que no afecte su rendimiento o integridad.

Los productos Yardistry han sido diseñados para seguridad y calidad. Cualquier modificaciones hechas al producto original pueden dañar la integridad estructural del producto, provocando fallas o posibles lesiones. Yardistry no puede asumir ninguna responsabilidad para productos modificados. Además, las modificaciones anulan cualquiera y todas las garantías.

Este producto está garantizado para USO RESIDENCIAL SOLAMENTE. Yardistry renuncia a todas las representaciones y garantías de todo tipo, expresas o implícitas.

Esta Garantía le brinda derechos legales específicos. Puede tener otros derechos también que varían de estado a estado o provincia a provincia. Esta garantía excluye todos los daños consecuentes, sin embargo, algunos estados no permiten la limitación or exclusión de daños consecuentes, y por lo tanto esta limitación no se aplica con usted.

Yardistry garantit que ce produit est exempt de défauts de fabrication ou de conception pendant une période d'un (1) an suivant la date d'achat. De plus, pour tout produit avec du bois, tout le bois est garanti pendant cinq (5) ans contre la dégradation et la pourriture. Cette garantie s'applique à l'acheteur original, et n'est pas transférable.

Un entretien régulier est requis afin d'assurer l'intégrité de votre produit, et constitue une exigence pour cette garantie. Cette garantie ne couvre aucun coût d'inspection.

Cette garantie limitée ne couvre pas:

- Main d'oeuvre pour le remplacement de tout élément défectueux;
- Dommages indirects ou consécutifs;
- Défauts esthétiques n'affectant pas la performance ou l'intégrité;
- Vandalisme; installation ou usage inadéquat; actes de la nature incluant, sans s'y limiter, le vent, les tempêtes, la grêle, les inondations ou une exposition excessive à l'eau;
- Faible torsion, déformation ou fendillement, ou toute autre transformation naturelle du bois n'affectant pas la performance ou l'intégrité.

Les produits Yardistry ont été conçus dans une optique de qualité et de sécurité. Toute modification effectuée au produit original pourrait endommager l'intégrité structurelle du produit, entraînant des défaillances et potentiellement des blessures. Yardistry ne peut assumer aucune responsabilité pour les produits ayant été modifiés. De plus, toute modification annule toutes les garanties, quelles qu'elles soient.

Ce produit est garanti pour un USAGE RÉSIDENCIEL SEULEMENT. Yardistry décline toute autre déclaration ou garantie, expresse ou implicite.

Cette garantie vous octroie des droits légaux spécifiques. Vous pourriez bénéficier d'autres droits, qui varient selon l'état ou la province ou vous résidez. Cette garantie exclut tous les dommages indirects, toutefois, certains états ne permettent pas la restriction ou l'exclusion des dommages indirects, alors cette restriction pourrait ne pas s'appliquer à votre situation.

IMPORTED BY / IMPORTÉ PAR / IMPORTADO POR

DISTRIBUTED BY:
COSTCO WHOLESALE CORPORATION
P.O. BOX 34535
SEATTLE, WA 98124-1535
USA
1-800-774-2678
WWW.COSTCO.COM

IMPORTED BY:
COSTCO WHOLESALE UK LTD /
COSTCO ONLINE UK LTD
HARTSPRING LANE
WATFORD, HERTS
WD25 8JS
UNITED KINGDOM
01923 213113
WWW.COSTCO.CO.UK

DISTRIBUTED BY:
COSTCO WHOLESALE ICELAND EHF.
KAUPTÚN 3-7, 210 GARDABAER
ICELAND
WWW.COSTCO.IS

IMPORTED BY:
COSTCO WHOLESALE JAPAN LTD.
3-1-4 IKEGAMI-SHINCHO
KAWASAKI-KU, KAWASAKI-SHI,
KANAGAWA 210-0832 JAPAN
044-281-2600
WWW.COSTCO.CO.JP

IMPORTED BY / IMPORTÉ PAR :
COSTCO WHOLESALE CANADA LTD.*
415 W. HUNT CLUB ROAD
OTTAWA, ONTARIO
K2E 1C5, CANADA
1-800-463-3783
WWW.COSTCO.CA
* faisant affaire au Québec sous
le nom Les Entrepôts Costco

IMPORTADO POR:
COSTCO WHOLESALE SPAIN S.L.U.
POLÍGONO EMPRESARIAL LOS
GAVILANES
C/ AGUSTÍN DE BETANCOURT, 17
28906 GETAFE (MADRID) ESPAÑA
NIF: B86509460
900 111 155
WWW.COSTCO.ES

IMPORTED BY:
COSTCO WHOLESALE
AUSTRALIA PTY LTD
17-21 PARRAMATTA ROAD
LIDCOMBE NSW 2141
AUSTRALIA
WWW.COSTCO.COM.AU

IMPORTED BY / MANUFACTURED FOR:
COSTCO PRESIDENT TAIWAN, INC.
NO. 656 CHUNG-HWA 5TH ROAD
KAOHSIUNG, TAIWAN
COMPANY TAX ID: 96972798
449-9909 or 02-449-9909 (if cellphone)
WWW.COSTCO.COM.TW

IMPORTADO POR:
IMPORTADORA PRIMEX S.A. DE C.V.
BLVD. MAGNOCENTRO NO. 4
SAN FERNANDO LA HERRADURA
HUIXQUILUCAN, ESTADO DE MÉXICO
C.P. 52765
RFC: IPR-930907-S70
(55)-5246-5500
WWW.COSTCO.COM.MX

DISTRIBUÉ PAR :
COSTCO FRANCE
1 AVENUE DE BRÉHAT
91140 VILLEBON-SUR-YVETTE
FRANCE
01 80 45 01 10
WWW.COSTCO.FR

IMPORTED AND DISTRIBUTED BY:
COSTCO WHOLESALE KOREA, LTD.
40, ILJIK-RO
GWANGMYEONG-SI
GYEONGGI-DO, 14347, KOREA
1899-9900
www.costco.co.kr

IMPORTED BY / DISTRIBUTED BY:
SHANGHAI MINHANG COSTCO
TRADING CO., LTD
UNIT 109, NO 388, LIAN YOU ROAD
MINHANG DISTRICT, SHANGHAI
CHINA 201107
+86-21-6257-7065

COO: CHINA



Customer Registration Card - Tarjeta de Registro del Cliente - Carte d'inscription du client

First Name - Primer Nombre - Prénom	Initial - Inicial - Initiale	Last Name - Apellido - Nom de famille

Street - Calle - Rue	PO Box - Casilla postal - Boîte postale	Apt. No. - App.

City - Ciudad - Ville	State/Province - Estado/Provincia - État/Province

ZIP/Postal Code - Código Postal - ZIP/Code postal	Country - País - Pays

E-mail Address - Dirección de E-mail - Adresse courriel	Telephone Number - No. de Teléfono - N° de téléphone

Model Name - Nombre del Modelo - Nom du modèle	Model Number (from front cover) - Número de Modelo (de la portada) - N° du modèle (page de couverture)

Date of Purchase - Fecha de Compra - Date d'achat (mm/dd/yyyy) (mm/dd/aaaa) (mm/jj/aaaa)	Place of Purchase - Comprado a - Lieu d'achat

Comments - Comentarios - Commentaires:

Mail To - Enviar por Correo a - Envoyer par courrier à:

Yardistry
375 Sligo Road West, PO Box 10
Mount Forest, Ontario, Canada, N0G 2L0
Attention: Consumer Relations
Atención a: Servicio de Atención al Cliente
À l'attention de: Service à la clientèle

Online Registration - Registro online - Enregistrement en ligne:

<http://yardistrystructures.com/warranty.php>

Yardistry would like to say "Thank you" for your time and feedback.
Yardistry quiere "Agradecerle" por su tiempo y su opinión.
Yardistry aimerait vous remercier d'avoir pris le temps de répondre au sondage.