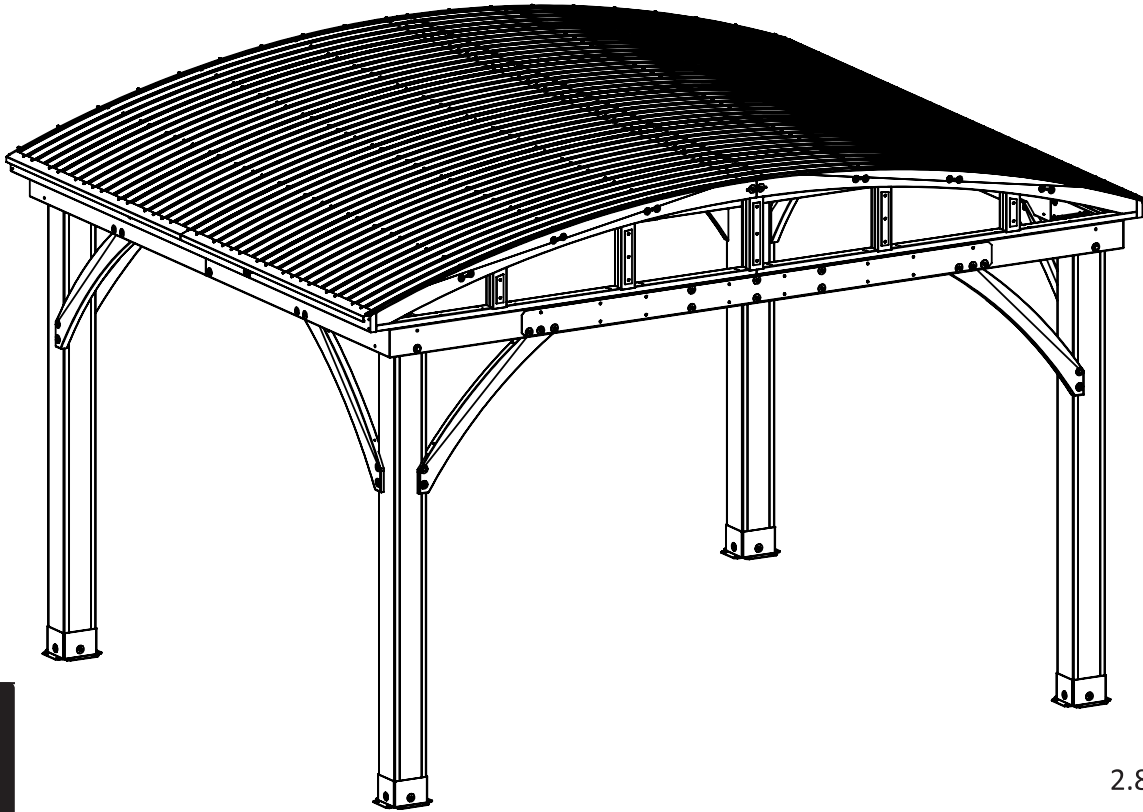


# 4.3 m (14.1 ft) x 3.4 m (11.1 ft) Arched Roof Gazebo

## Installation and Operating Instructions – YM12757



HEIGHT:  
2.87 m / 9.4 ft



IMPORTANT, RETAIN FOR FUTURE REFERENCE: READ CAREFULLY  
THIS ITEM IS INTENDED FOR OUTDOOR DOMESTIC USE ONLY.  
NOT FOR COMMERCIAL USE.

Revised 09-12-2025

# YARDISTRY®

Yardistry – North America  
Toll Free Customer Support:

1.888.509.4382

Mon - Fri, 8:30 am - 5:00 pm EST  
(excl. holidays)

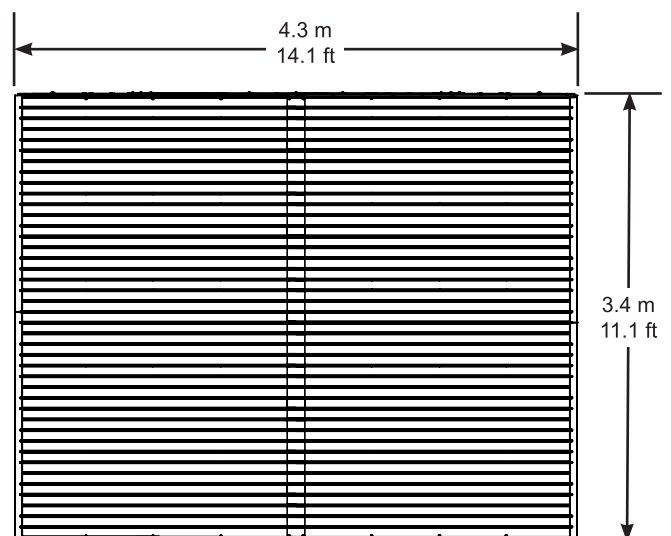
English and French Spoken

For extended hours see our website:

[www.yardistrystructures.com](http://www.yardistrystructures.com)

[info@yardistrystructures.com](mailto:info@yardistrystructures.com)

Patents Pending



## **Important Safety Notice!**

Yardistry components are intended for privacy, decorative and ornamental use only.

### **Product is NOT INTENDED for the following:**

- A safety barrier to prevent unsupervised access to pools, hot tubs, spas or ponds.
- As load bearing support for a building, structure, heavy objects or swings.
- Used in structures that trap wind, rain or snow that would create extra load on the product.

### **Accumulated snow must be removed from roof.**

**DO NOT** climb or walk on roof for any reason.

**Permanent structures may require a building permit.** As the purchaser and or installer of this product you are advised to consult local planning, zoning and building inspection departments for guidance on applicable building codes and/or zoning requirements.

**Wood is NOT flame retardant and will burn.** Grills, fire pits and chimineas are a fire hazard if placed too close to a Yardistry structure. Consult user's manual of the grill, fire pit or chiminea for safe distances from combustible materials.

**Wear gloves to avoid injury** from possible sharp edges of individual elements before assembly.

**During installation, follow all safety warnings provided with your tools and use OSHA approved safety glasses.** Some structures may require two or more people to install safely.

**Check for underground utilities before digging or driving stakes into the ground!**

**During assembly it is important to closely follow the instructions.** Complete the assembly on a solid, level surface and follow the instructions to square up, level and anchor the structure. This will reduce the gaps at wood connections during assembly.

## **General Information**

**General Information:** Wood components are manufactured with premium outdoor lumber which is protected with factory applied water-based stain. Knots, small checks (cracks) and weathering are naturally occurring and do not affect the strength of the product. Annual application of a water-based water repellent sealant or stain is important and will help reduce weathering and checks.

**[www.yardistrystructures.com](http://www.yardistrystructures.com)**

Questions?  
Call toll free or write us at:  
1 (888) 509-4382  
[support@yardistrystructures.com](mailto:support@yardistrystructures.com)

Regular Hours: Mon - Fri, 8:30 am - 5:00 pm EST  
(excl. holidays)  
English and French Spoken  
(For extended hours see our website)

[www.yardistrystructures.com](http://www.yardistrystructures.com)

Patents Pending

# Limited Warranty

Yardistry warrants that this product is free from defect in materials and workmanship for a period of one (1) year from the original date of purchase. In addition, for any product with lumber, all lumber is warranted for five (5) years against rot and decay. This warranty applies to the original owner and registrant and is non-transferable.

Regular maintenance is required to assure the integrity of your product and is a requirement of the warranty. This warranty does not cover any inspection costs.

## **This Limited Warranty does not cover:**

- Labor for replacement of any defective item(s);
- Incidental or consequential damages;
- Cosmetic defects which do not affect performance or integrity;
- Vandalism; improper use or installation; acts of nature, including but not limited to wind, storms, hail, floods, excessive water exposure;
- Minor twisting, warping, checking or any other natural occurring properties of wood that do not affect performance or integrity.

Yardistry products have been designed for safety and quality. Any modifications made to the original product could damage the structural integrity of the product leading to failure and possible injury. Yardistry cannot assume any responsibility for modified products. Furthermore, modification voids any and all warranties.

**This product is warranted for RESIDENTIAL USE ONLY. Yardistry disclaims all other representations and warranties of any kind, express or implied.**

*This Warranty gives you specific legal rights. You may have other rights as well which vary from state to state or province to province. This warranty excludes all consequential damages, however, some states/provinces do not allow the limitation or exclusion of consequential damages, and therefore this limitation may not apply to you.*

AUSTRALIA: Our goods come with guarantees that cannot be excluded under the Australian Consumer Law. You are entitled to a replacement or refund for a major failure and for compensation for any other reasonably foreseeable loss or damage. You are also entitled to have the goods repaired or replaced if the goods fail to be of acceptable quality and the failure does not amount to a major failure.

# Instructions for Proper Maintenance

Your Yardistry structure is designed and constructed of quality materials. As with all outdoor products it will weather and wear. To maximize the enjoyment, safety and life of your structure it is important that you, the owner, properly maintain it.

## HARDWARE:

- Check metal parts for rust. If found, sand and repaint using a non-lead paint complying with 16 CFR 1303.
- Inspect and tighten all hardware after completion of assembly; after first month of use; and then annually. Do not over-tighten as to cause crushing and splintering of wood.
- Check for sharp edges or protruding screw threads, add washers if required.

## WOOD PARTS:

- Applying a water repellent or stain (water-based) on a yearly basis is important maintenance to maintain maximum life and performance of the product.
- Check all wood members for deterioration, structural damage and splintering. Sand down splinters and replace deteriorated wood members. As with all wood, some checking and small cracks in grain is normal
- Some gapping may occur at some wood connections.

## Assembly Guides

### Tools Required: (Not included)

- |                              |                    |                        |
|------------------------------|--------------------|------------------------|
| • Tape Measure               | • 8 ft Step Ladder | • 6 ft Step Ladder x 2 |
| • Carpenters Level           | • Safety Glasses   | • Square               |
| • Standard or Cordless Drill | • Adult Helper     | • Ratchet              |
| • Claw Hammer                | • Safety Gloves    | • 7/16", 1/2" & 9/16"  |
| • 7/16" & 9/16" Wrench       | • Hard Hat         | Socket                 |

### Symbols:

Throughout these instructions symbols are provided in the top, right-hand corner of the page.



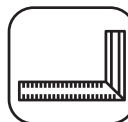
- Use Help, where this is shown, 2, 3 or 4 people are required to safely complete this step. To avoid injury or damage to the assembly make sure to get some help.



- Use a measuring tape to assure proper location



- Pre-drill a pilot hole before fastening screw or lag to prevent splitting of wood.



- Check the assembly is square before tightening bolts



- Check that the assembly is level



- One or more ladders are required to safely complete this step.

**If you dispose of your Yardistry structure:** Please disassemble and dispose of your unit so that it does not create any unreasonable hazards at the time it is discarded. Be sure to follow your local waste ordinances.

## Assembly Tips

Following are some helpful tips to make the assembly process smooth and efficient.

### PRE-ASSEMBLIES:

(i.e. Post and Beam Assemblies, Roof Rafter Assembly, etc)

- Work on a raised, solid and flat surface such as a table or saw horse.
- Keep all connections flush where shown in the instructions.
- When assembling the beams keep parts flat, straight and snug when connecting.

### METAL PARTS:

- Roofing material may have sharp edges, wear safety gloves.
- Remove all plastic covering, on both sides of the metal panels, directly before installing each piece.
- Place roofing material on a non-abrasive surface before and after assembly as it can bend, dent and scratch easily.
- The roofing screws can easily crush the roof panels and roof edges when using a power drill. We recommend hand tightening the roofing screws so they sit snug and tight to the roofing material.

# Sealant Application Tips, Warning and First Aid Information

## SEALANT:

- All surfaces to be clean, dry, dust and grease free before application with temperatures above 5°C (41°F), no warmer than 35°C (95°F).
- Cut tip off sealant tube, attach supplied nozzle and use a caulking gun to apply small beads. See below images.
- Apply sealant in small beads and smooth as required.
- To smooth sealant into the joint use a glove covered finger, putty knife, etc. Smooth sealant to create a continuous water-tight seal.
- Clean excess with a cloth or paper towel before it skins over.
- An initial bond will set in approximately 20 minutes and fully set in 24 hours.

## WARNING:

- CAUSES SERIOUS EYE AND SKIN IRRITATION. Always wear safety glasses and rubber gloves when using product.
- KEEP OUT OF REACH OF CHILDREN.
- Prolonged or repeated exposure MAY CAUSE ORGAN DAMAGE. Provide ample ventilation.

## FIRST AID:

- If ingested, DO NOT INDUCE VOMITING. Seek immediate medical attention.
- Eye contact: immediately flush eyes with water for at least 15 minutes. Remove contact lenses if present.
- Skin contact; wash thoroughly with soap and water. If eye/skin irritation persists or respiratory symptoms occur or develop, seek medical attention.

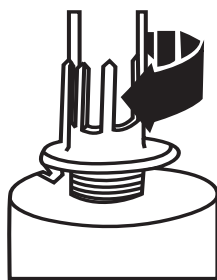
Use of this product can expose you to chemicals including Methanol, which is known to the State of California to cause birth defects and other reproductive harm. For more information, go to [www.P65Warnings.ca.gov](http://www.P65Warnings.ca.gov).

Dispose of contents and container in accordance with local regulations.

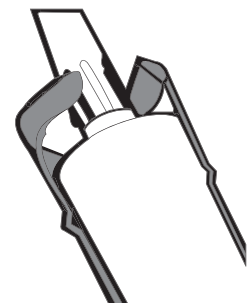
*Step 1: Cut off tip of tube*



*Step 2: Attached supplied nozzle*



*Step 3: Put tube in caulking gun*



# Permanent Installation Examples

**Note: It is critically important you start with square, solid and level footings, concrete pad or deck to attach your Gazebo.**

We supply Post Mounts with this structure which gives you the flexibility to permanently install your structure to a pre-existing or new wood or concrete surface.

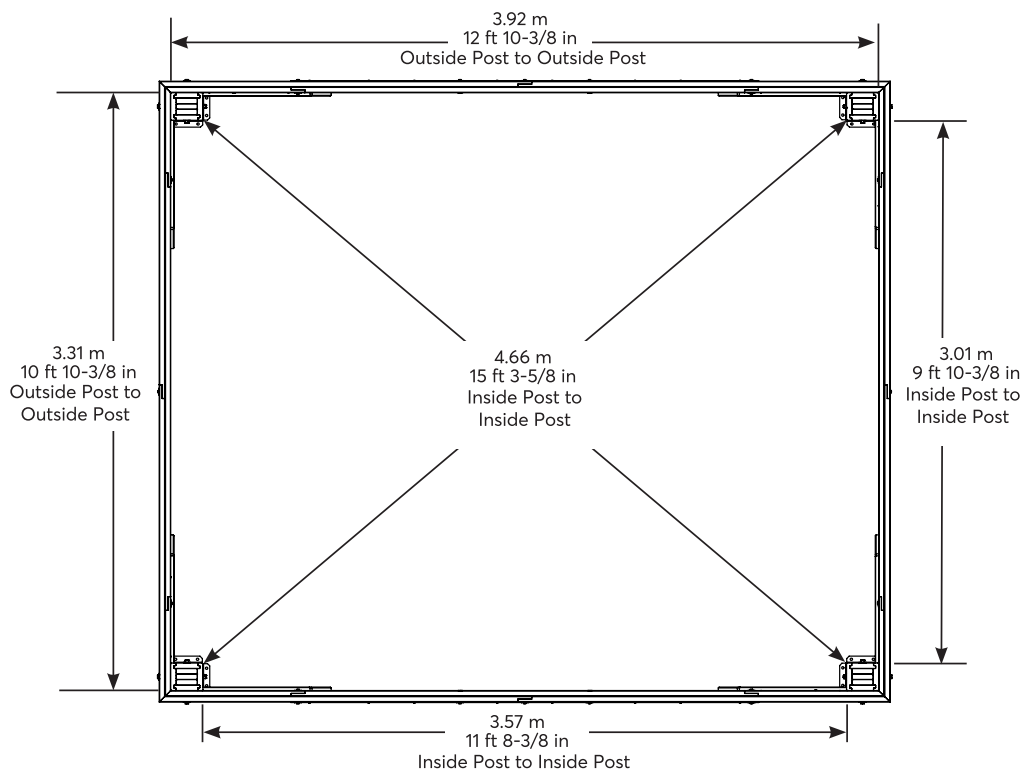
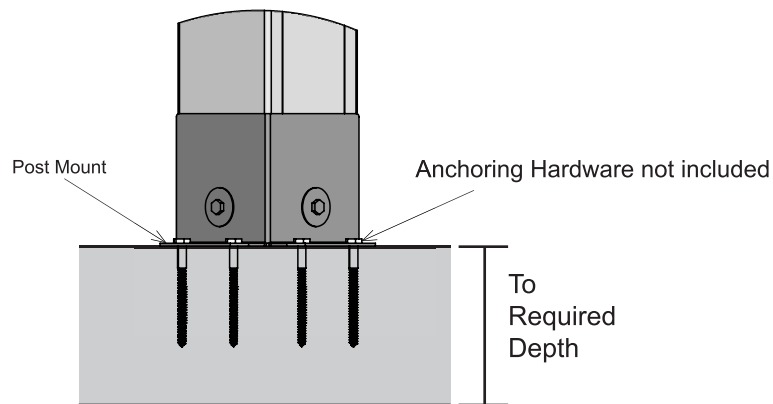
- The hardware to attach the Post Mount to the structure is included.
- The hardware to mount the structure permanently will need to be purchased separately at your local hardware store.

If you are mounting to concrete footers see below for the correct locations and placement. Please double check for possibility of any underground utilities such as gas, telephone, cable or sprinkler lines.

Following are some examples of how to mount the structure to wood or concrete surfaces.

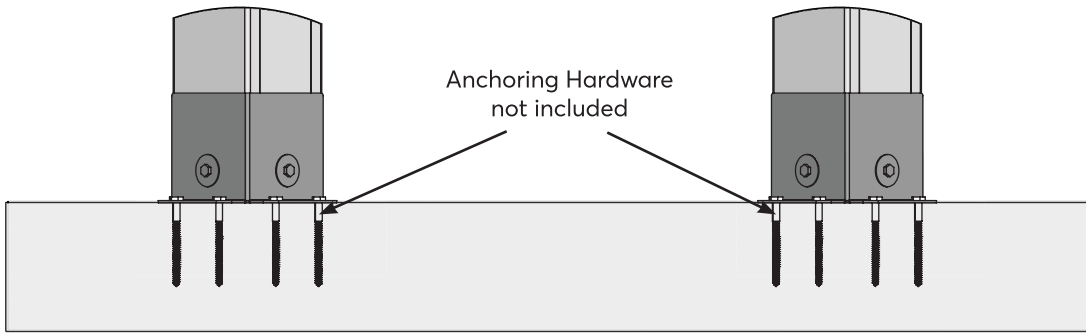
Refer to your local building and city codes, ordinances, neighborhood covenants, or height restrictions regarding this type of structure for guidance on acceptable installation requirements.

## Concrete Footer

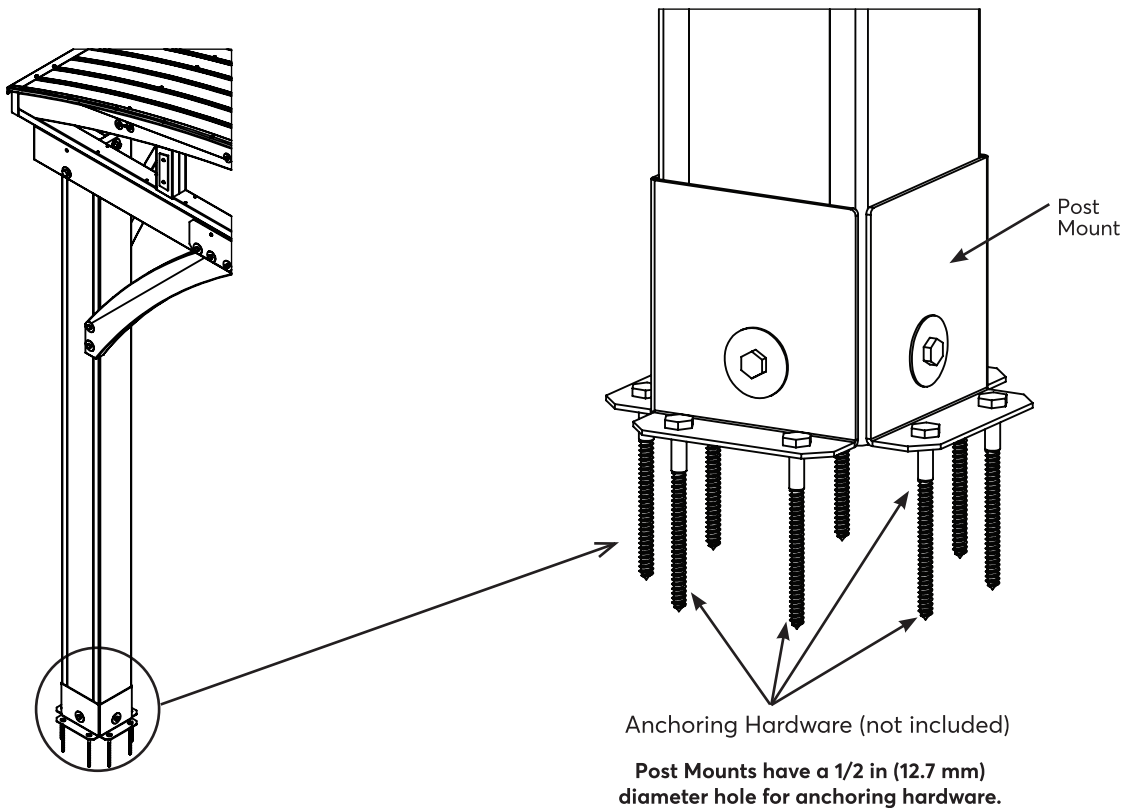
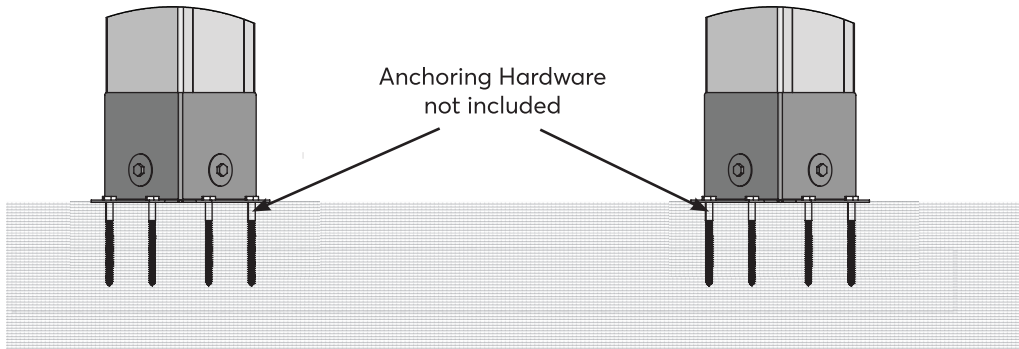


## Permanent Installation Examples cont.

Concrete Patio (min. 11 ft 10-3/8 in (3.62 m) x 13 ft 10-3/8 in (4.23 m)) with 6 in (15.24 cm) clearance on all sides



Wood Deck (min. 11 ft 10-3/8 in (3.62 m) x 13 ft 10-3/8 in (4.23 m)) with 6 in (15.24 cm) clearance on all sides



# Part Identification ( Dimensions are approximate and are shown to assist in the identification of parts ) for assembly. Actual dimensions may be smaller or larger.

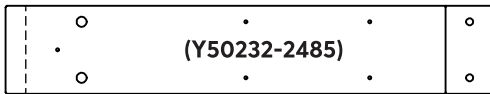
**2pc. (2195)** - Beam Center - Long - 2587.5 mm (**101-7/8"**) - FSC



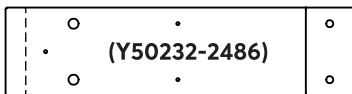
**2pc. (2196)** - Beam Center - Short - 2422.1 mm (**95-3/8"**) - FSC



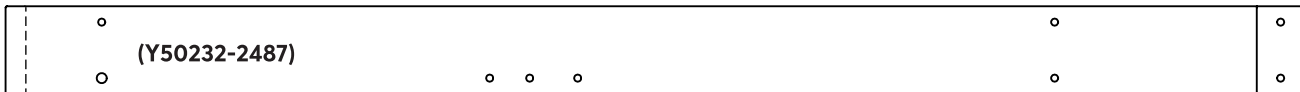
**4pc. (2485)** - Beam End - Long - 774.7 mm (**30-1/2"**) - FSC



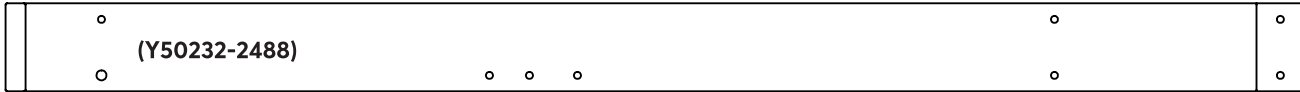
**4pc. (2486)** - Beam End - Short - 552.7 mm (**21-3/4"**) - FSC



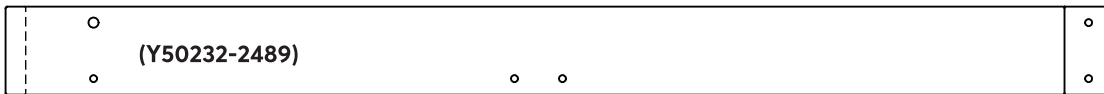
**2pc. (2487)** - Beam Left - Long - 2062.1 mm (**81-3/16"**) - FSC



**2pc. (2488)** - Beam Right - Long - 2062.1 mm (**81-3/16"**) - FSC



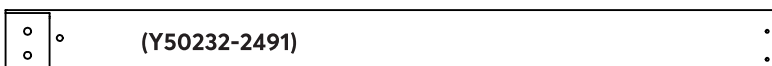
**2pc. (2489)** - Beam Left - Short - 1757.4 mm (**69-3/16"**) - FSC



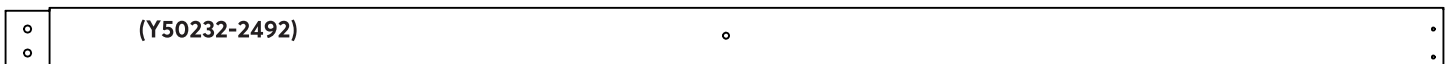
**2pc. (2490)** - Beam Right - Short - 1757.4 mm (**69-3/16"**) - FSC



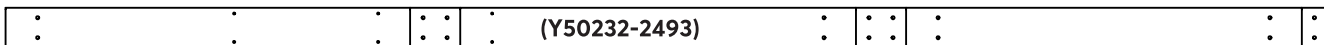
**2pc. (2491)** - Fascia Short - 1224.9 mm (**48-1/4"**) - FSC



**2pc. (2492)** - Fascia - 2282.6 mm (**89-7/8"**) - FSC



**4pc. (2493)** - Gable Bottom - 2097.5 mm (**82-9/16"**) - FSC



**6pc. (2494)** - Joist - 2227 mm (**87-11/16"**) - FSC

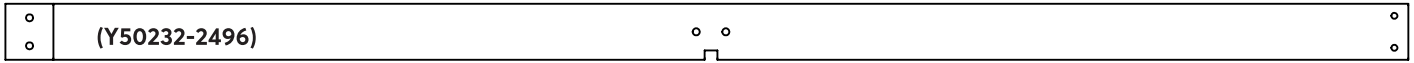


# Part Identification ( Dimensions are approximate and are shown to assist in the identification of parts ) for assembly. Actual dimensions may be smaller or larger.

6pc. (2495) - Short Joist - 1223.1 mm (48-1/8") - FSC



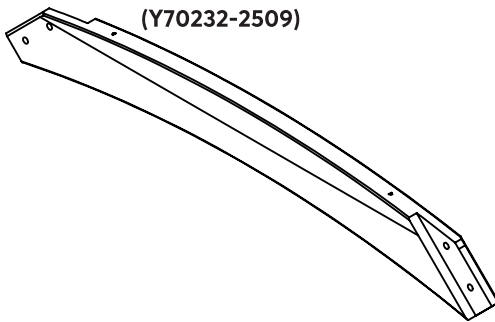
2pc. (2496) - Top Joist - 2227 mm (87-11/16") - FSC



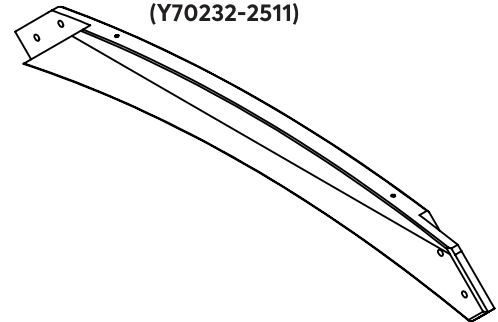
2pc. (2497) - Top Short Joist - 1223.1 mm (48-1/8") - FSC



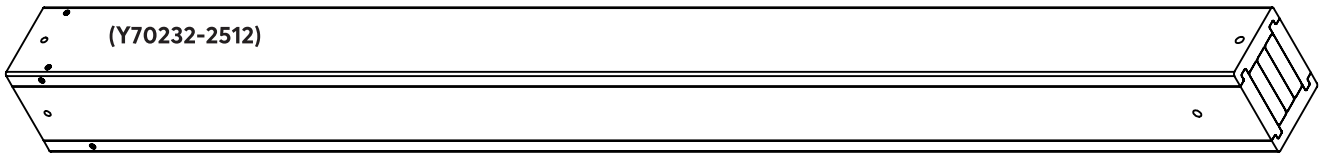
4pc. (2509) - Gusset Left - 1076.3 mm (42-3/8") - FSC



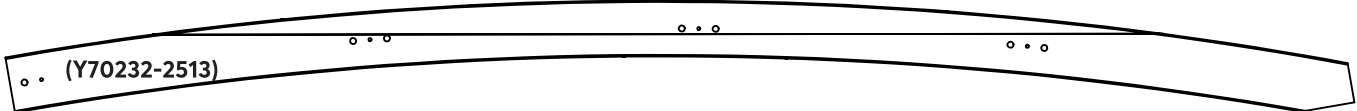
4pc. (2511) - Gusset Right - 1076.3 mm (42-3/8") - FSC



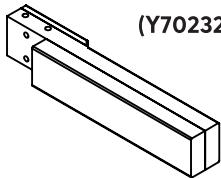
4pc. (2512) - Post - 2387.6 mm (94") - FSC



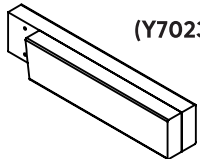
4pc. (2513) - Gable Arch - 2141.7 mm (84-5/16") - FSC



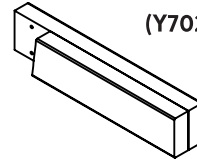
2pc. (2515) - Upright A - 445 mm (17-1/2") - FSC



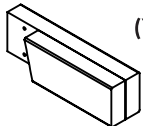
2pc. (2516) - Upright B Left - 390 mm (15-3/8") - FSC



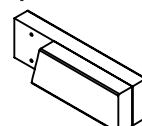
2pc. (2517) - Upright B Right - 390 mm (15-3/8") - FSC



2pc. (2518) - Upright C Left - 265 mm (10-7/16") - FSC

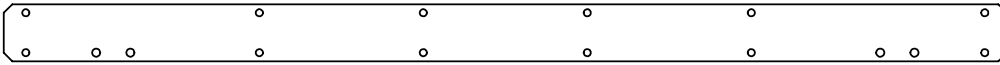


2pc. (2519) - Upright C Right - 265 mm (10-7/16") - FSC

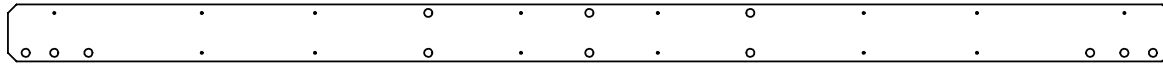


# Part Identification ( Dimensions are approximate and are shown to assist in the identification of parts for assembly. Actual dimensions may be smaller or larger. )

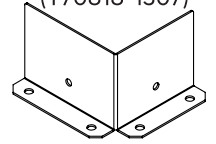
**2pc.** Short Beam Insert - (Y00429-1269)



**2pc.** Long Beam Insert - (Y00418-1293)

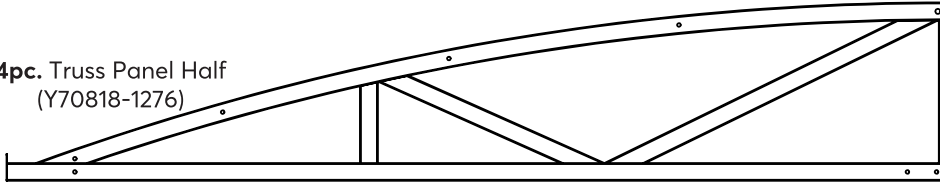


**1pc.** Post Mount Set (8pk)  
(Y70818-1307)

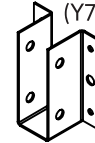


Y00418-1303

**4pc.** Truss Panel Half  
(Y70818-1276)

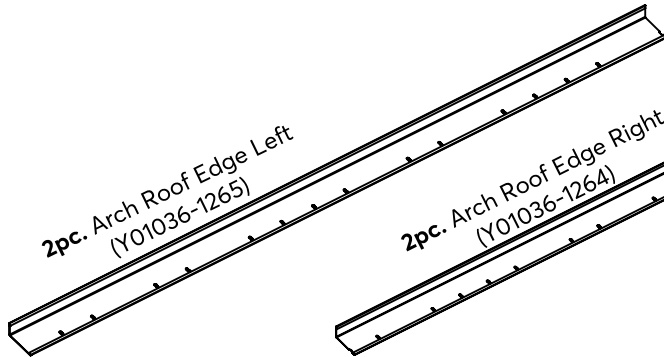


**1pc.** Arch Roof Saddle Bracket (12pk)  
(Y70818-1328)

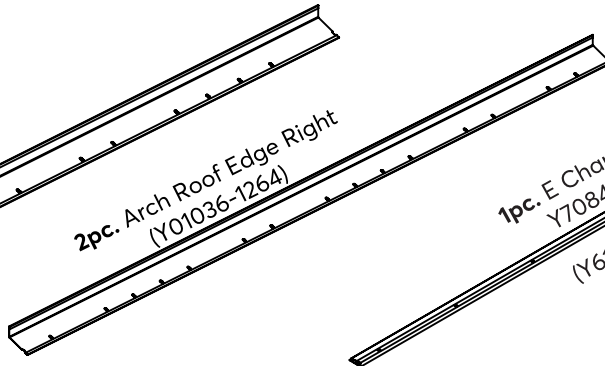


(Y00418-1256)

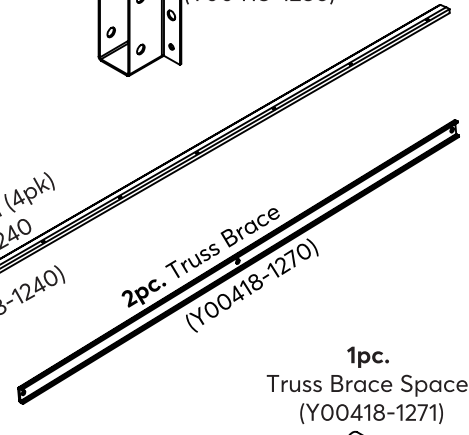
**2pc.** Arch Roof Edge Left  
(Y01036-1265)



**2pc.** Arch Roof Edge Right  
(Y01036-1264)



**1pc.** E Channel (4pk)  
Y70848-1240  
(Y61848-1240)

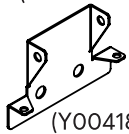


**2pc.** Truss Brace  
(Y00418-1270)

**1pc.** Truss Brace Spacer  
(Y00418-1271)

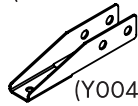


**1pc.** Truss Top Bracket (4pk)  
(Y70818-1332)



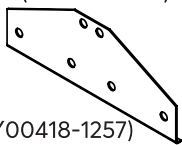
(Y00418-1260)

**1pc.** Truss to Beam Bracket (4pk)  
(Y70818-1330)



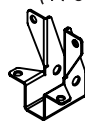
(Y00418-1258)

**1pc.** Truss Bracket (4pk)  
(Y70818-1329)



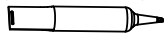
(Y00418-1257)

**1pc.** Truss to Joist Bracket (12pk)  
(Y70818-1331)

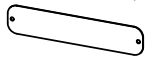


(Y00418-1259)

**2pc.** Sealant Tube  
(Y90100-001)



**1pc.** Gazebo ID Plaque  
(Y70800-104)

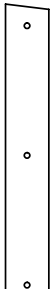


**1pc.** Upright A Insert (2pk)  
(Y70818-1334)



(Y00418-1294)

**1pc.** Upright B Insert (4pk)  
(Y70818-1335)



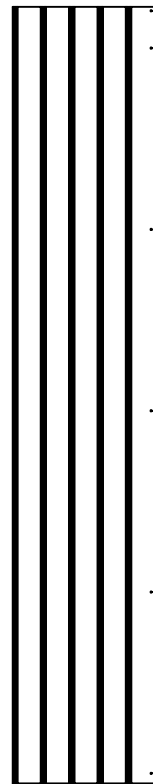
(Y00418-1295)

**1pc.** Upright C Insert (4pk)  
(Y70818-1336)

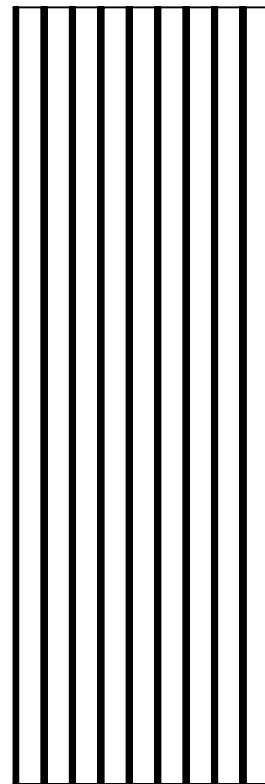


(Y00418-1296)

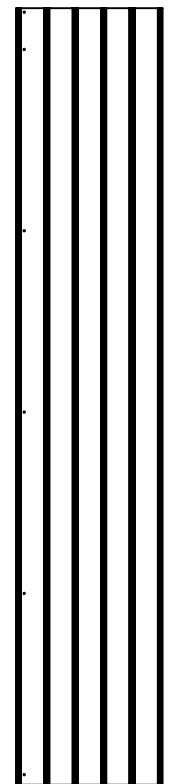
**1pc.** Arch Roof Panel Set  
(Y70836-1277)



**2pc.** Arch Roof Panel C  
(Y01036-1263)



**8pc.** Arch Roof Panel A  
(Y01036-1261)



**2pc.** Arch Roof Panel B  
(Y01036-1262)

# Hardware Identification (Dimensions are approximate and are shown to assist in the identification of parts for assembly. Actual dimensions may be smaller or larger.)

172pc. **(S35)** - Wood Screw #8 x 2 1/4" - (Y06091-521)



12pc. **(S3)** - Wood Screw #8 x 2-1/2" - (Y06091-522)



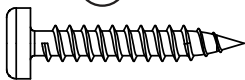
16pc. **(S4)** - Wood Screw #8 x 3" - (Y06091-530)



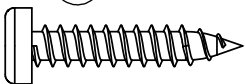
144pc. **(S10)** - Pan Screw #8x 1" - (Y06418-510)  
- Black



56pc. **(S12)** - Pan Screw #10 x 1-1/4" - (Y06418-711)



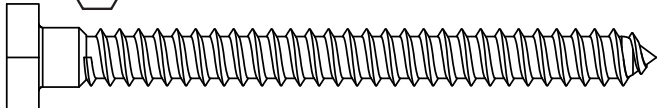
8pc. **(S34)** - Pan Screw #12 x 1-1/4" - (Y06418-611)



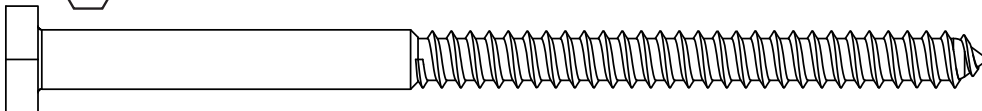
328pc. **(R0)** - Hex Roofing Screw #8x 1" - (Y06736-510)



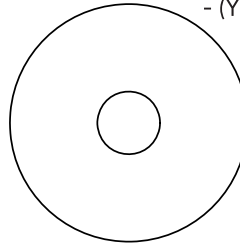
16pc. **(LS6)** - Lag Screw 5/16 x 3" (1/4" Shank) - (Y06218-330)



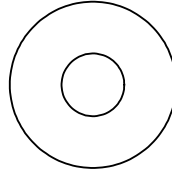
8pc. **(LS9)** - Lag Screw 5/16 x 4-3/4" - (Y06218-343)



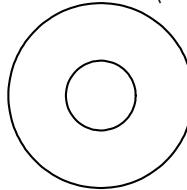
164pc. **(FW12)** - 1/4-5/16 x 1-1/4" Large Washer - (Y05118-311)



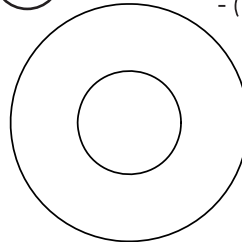
26pc. **(FW2)** - 5/16" Flat Washer - (Y05118-203)



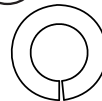
8pc. **(FW4)** - 3/8" Flat Washer - (Y05118-801)



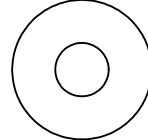
16pc. **(FW17)** - 1/2 x 1-1/4" Large Washer - (Y05118-411)



68pc. **(LW2)** - 5/16" Lock Washer - (Y05318-300)



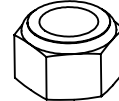
144pc. **(FW1)** - 1/4" Flat Washer - (Y05118-201)



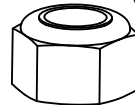
88pc. **(LN1)** - 1/4" Lock Nut - (Y08318-203)



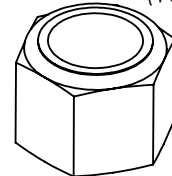
33pc. **(LN2)** - 5/16" Lock Nut - (Y08318-303)



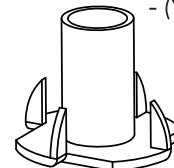
4pc. **(LN3)** - 3/8" Lock Nut - (Y08318-803)



8pc. **(LN4)** - 1/2" Lock Nut - (Y08318-403)

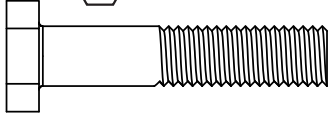


68pc. **(TN2)** - 5/16" T-Nut - (Y08518-300)

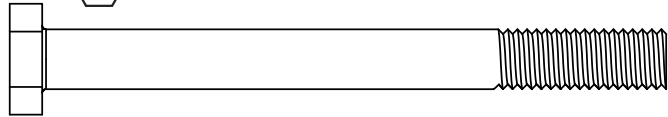


# Hardware Identification (Dimensions are approximate and are shown to assist in the identification of parts for assembly. Actual dimensions may be smaller or larger.)

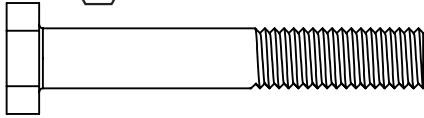
40pc. **G3** - Hex Bolt 5/16 x 1-1/4" - (Y07718-311)



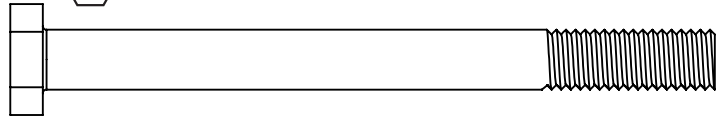
16pc. **G31** - Hex Bolt 5/16 x 3-1/4" - (Y07718-331)



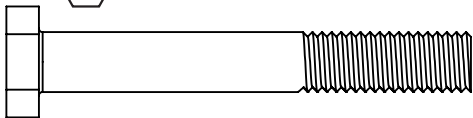
20pc. **G8** - Hex Bolt 5/16 x 2" - (Y07718-320)



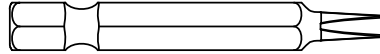
4pc. **G11** - Hex Bolt 5/16 x 3-1/2" - (Y07718-332)



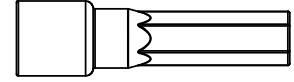
5pc. **G27** - Hex Bolt 5/16 x 2-1/4" - (Y07718-321)



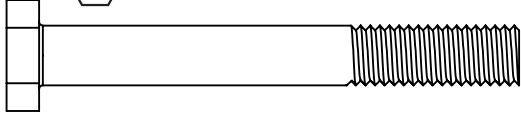
1pc. #2 x 2" Robertson Driver  
- (Y00400-005)



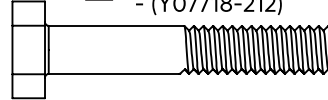
1pc. Hex Driver - (Y00400-004)



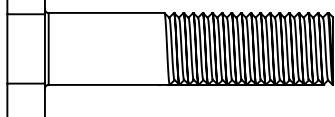
12pc. **G9** - Hex Bolt 5/16 x 2-1/2" - (Y07718-322)



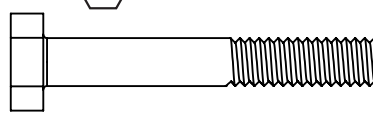
32pc. **H1** - Hex Bolt 1/4 x 1-1/2"  
- (Y07718-212)



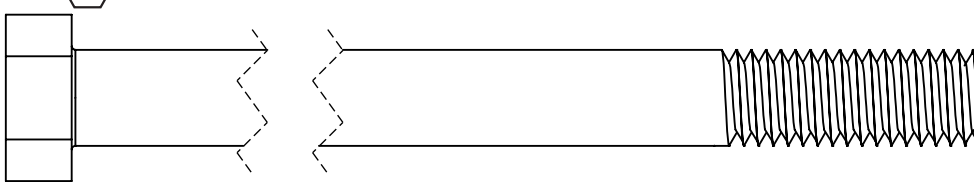
4pc. **G14** - Hex Bolt 3/8 x 1-1/2"  
- (Y07718-819)



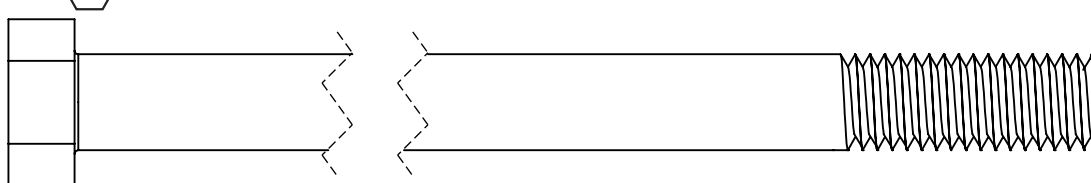
56pc. **H16** - Hex Bolt 1/4 x 1-3/4" (Y07718-213)



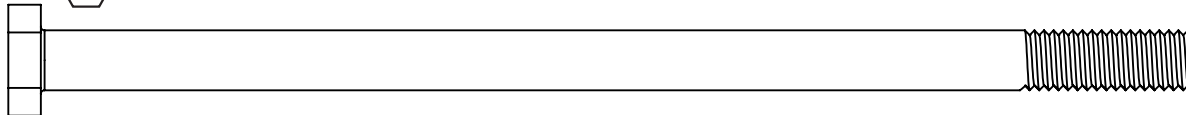
4pc. **G80** - Hex Bolt 1/2 x 9-1/4" - (Y07718-991)



4pc. **G81** - Hex Bolt 1/2 x 10-1/4" - (Y07718-9101)

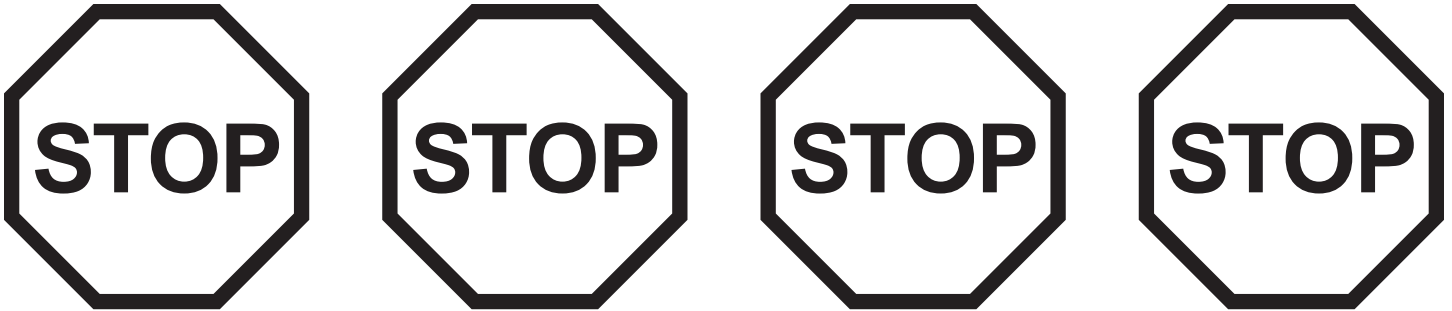


4pc. **Z** - Hex Bolt 5/16 x 6" - (Y07718-360)



1pc. 1/8" Drill Bit  
- (Y00400-002)

# Step 1: Inventory Parts - Read This Before Starting Assembly



- A.** This is the time for you to inventory all your hardware, wood and accessories, referencing the parts identification sheets. This will assist you with your assembly.
- Each step indicates which bolts and/or screws you will need for assembly, as well as any flat washers, lock washers, t-nuts or lock nuts.
- B.** If there are any missing or damaged pieces or you need assistance with assembly please contact the consumer relations department directly. Call us before going back to the store.

**1-888-509-4382**

Regular Hours: Mon - Fri, 8:30 am - 5:00 pm EST (excl. holidays)  
English and French Spoken

**[support@yardistrystructures.com](mailto:support@yardistrystructures.com)**

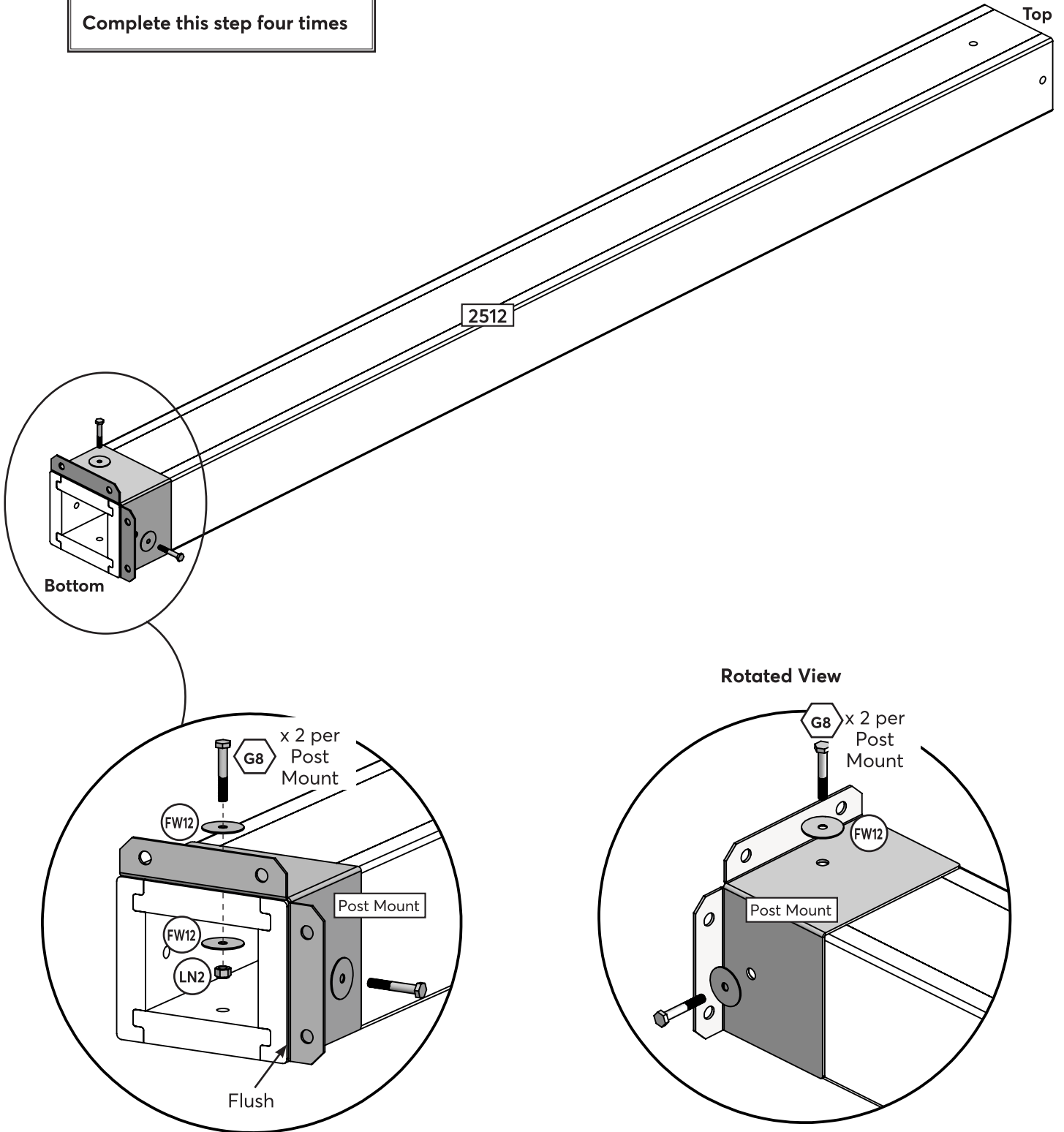
- C.** Read the assembly manual completely, paying special attention to ANSI warnings; notes; and safety/maintenance information on pages 1 - 4.
- Follow the instructions in order.
  - This structure is designed to be assembled and installed ideally by four people, DO NOT attempt to install alone.
  - Consider the slope of elevation where you plan to install the structure. Also, check for gas, telephone, other utilities or sprinkler line locations prior to excavating any holes.
- D.** Before you discard your cartons fill out the form below.
- The carton I.D. stamp is located on the end of each carton.
  - Please retain this information for future reference. You will need this information if you contact the Consumer Relations Department.

**PRODUCT NUMBER: YM12757**

CARTON I.D. STAMP: _ _ _ _ _ 14459 _ (Box 1)
CARTON I.D. STAMP: _ _ _ _ _ 14459 _ (Box 2)
CARTON I.D. STAMP: _ _ _ _ _ 14459 _ (Box 3)

## 2 Post Assemblies

Complete this step four times



### Wood Parts

4 x 2512

### Hardware

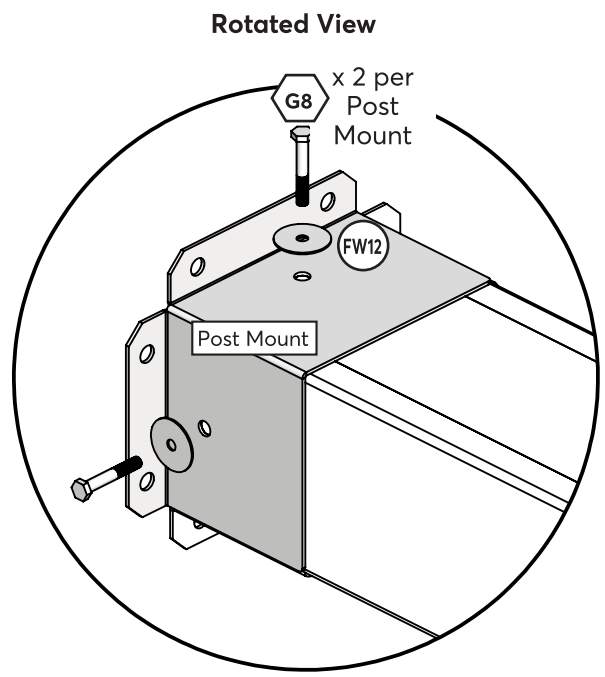
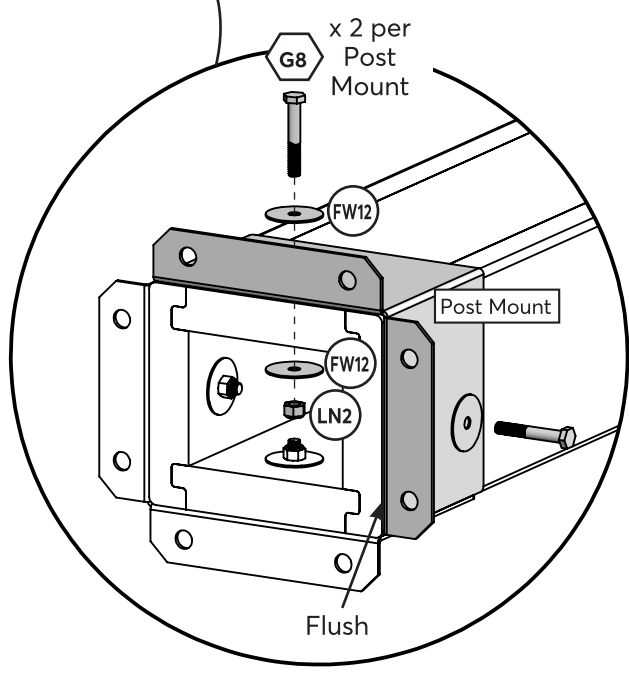
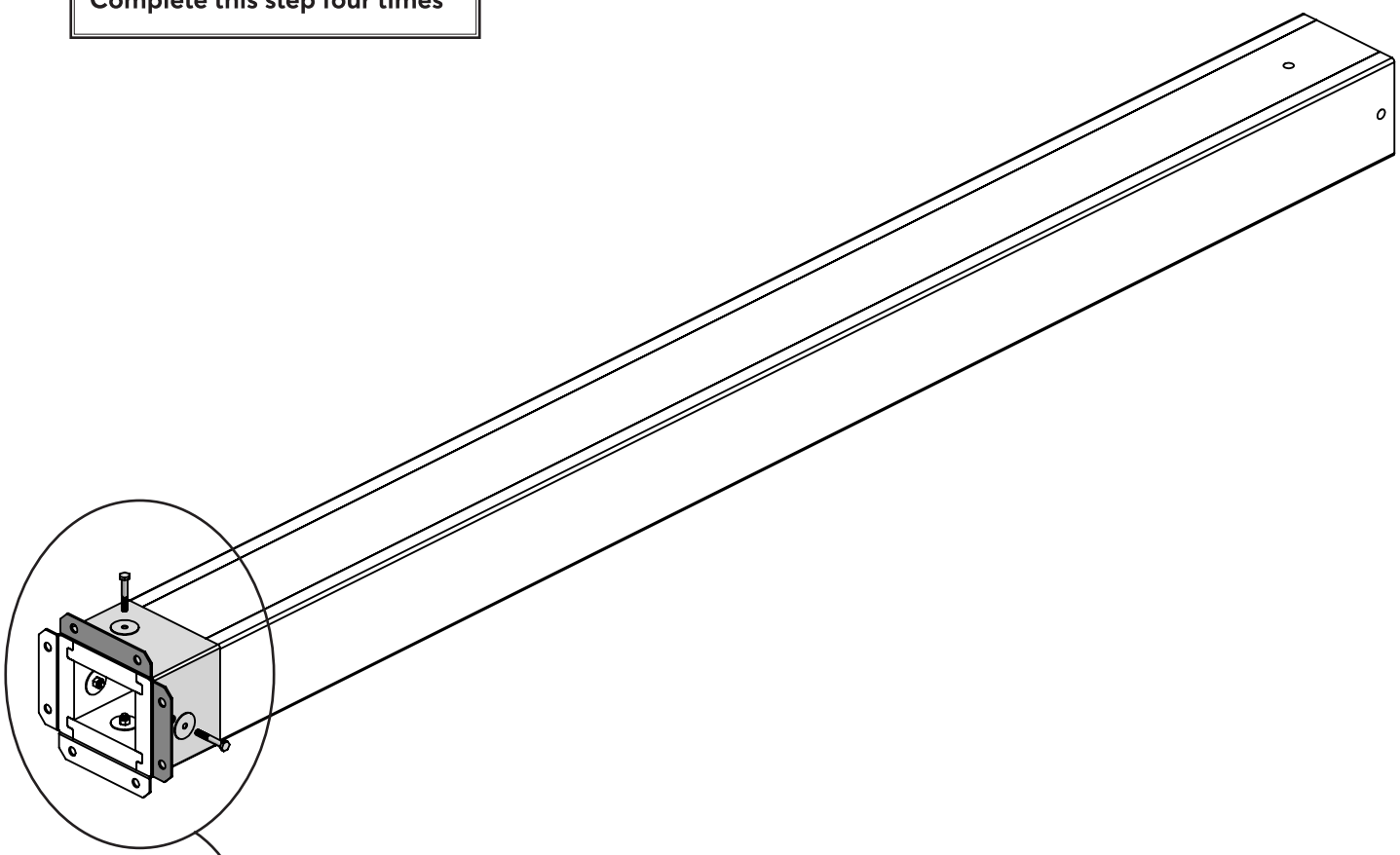
8 x G8 (FW12 x 2, LN2)

### Components

4 x Post Mount

3

Complete this step four times

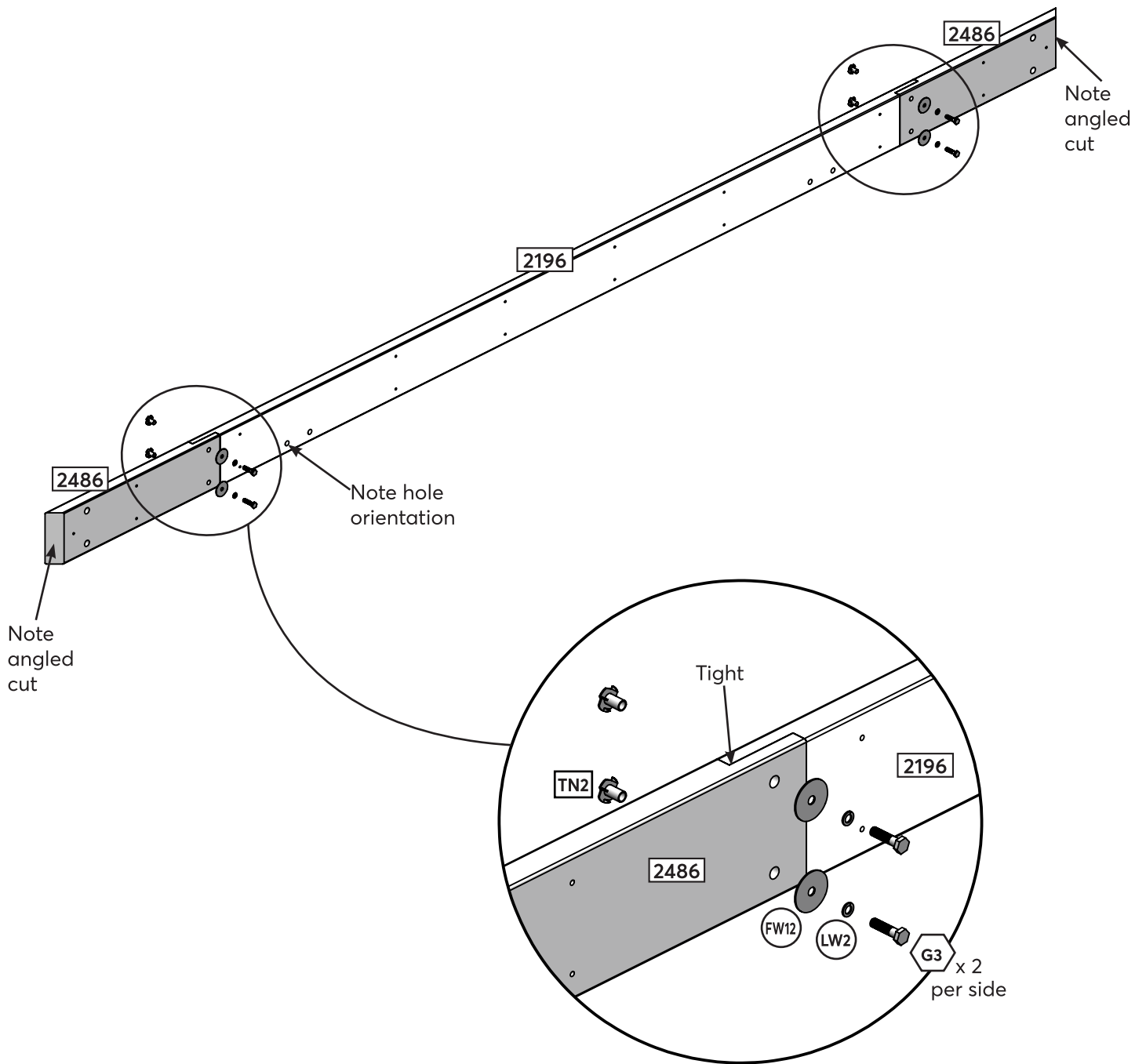


**Hardware**  
8 x G8 (FW12 x 2, LN2)

**Components**  
4 x Post Mount

# 4 Short Beam Assembly

Complete this step twice  
Note bolt orientation



### Wood Parts

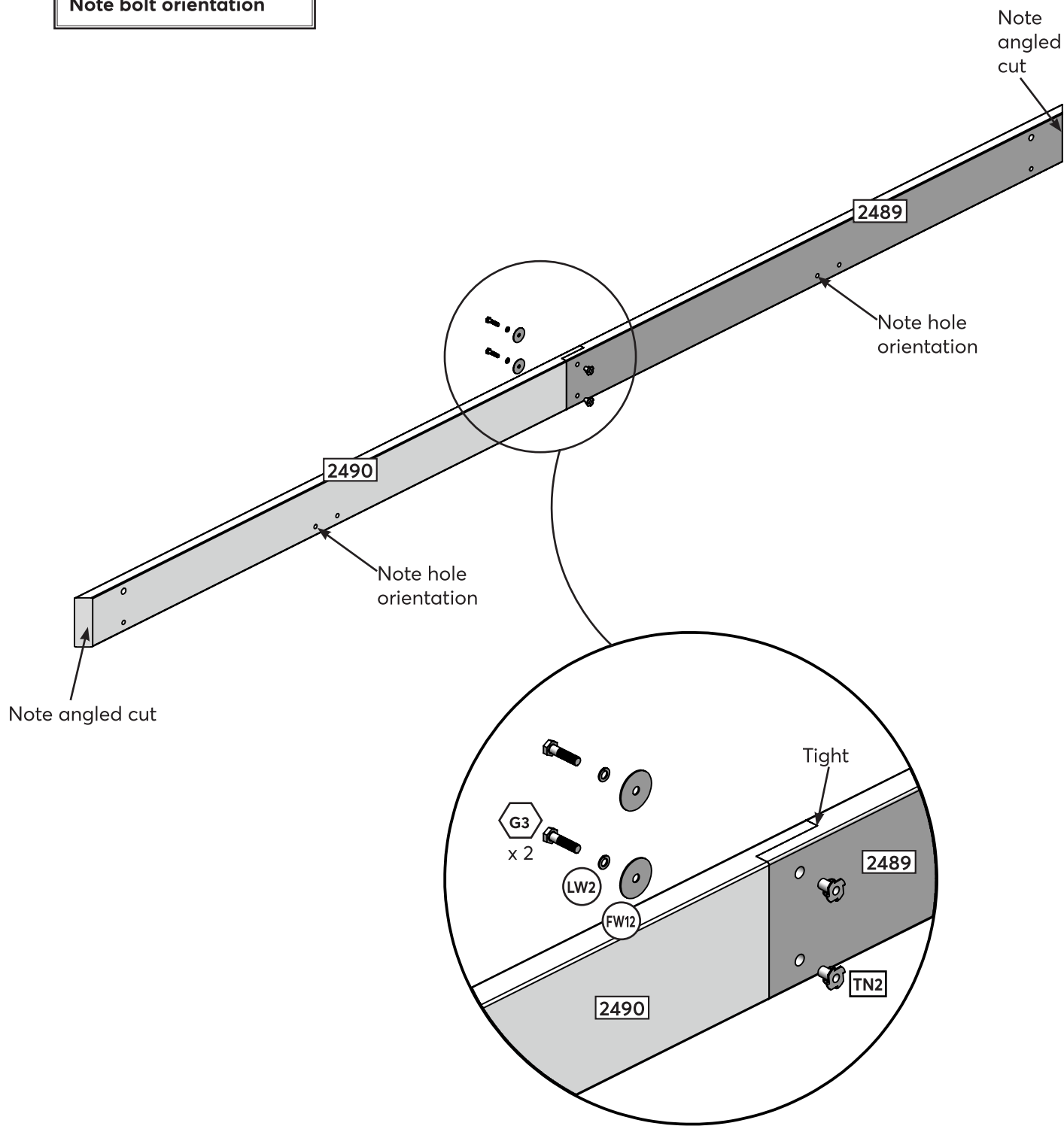
- 2 x 2196
- 4 x 2486

### Hardware

- 8 x G3 (LW2, FW12, TN2)

5

Complete this step twice  
Note bolt orientation



**Wood Parts**

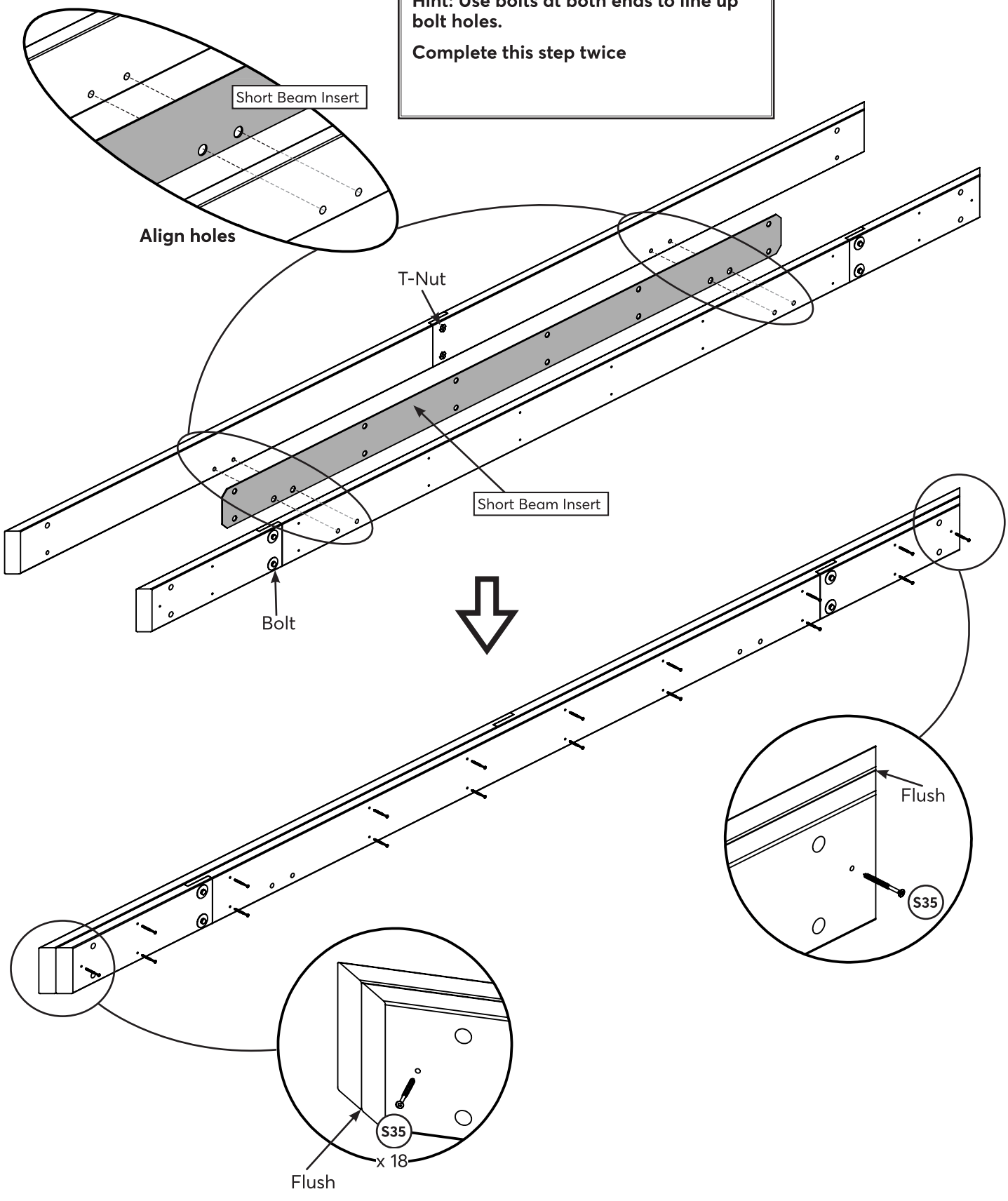
- 2 x 2490
- 2 x 2489

**Hardware**

- 4 x G3 (LW2, FW12, TN2)

6

Hint: Use bolts at both ends to line up bolt holes.  
Complete this step twice



**Hardware**

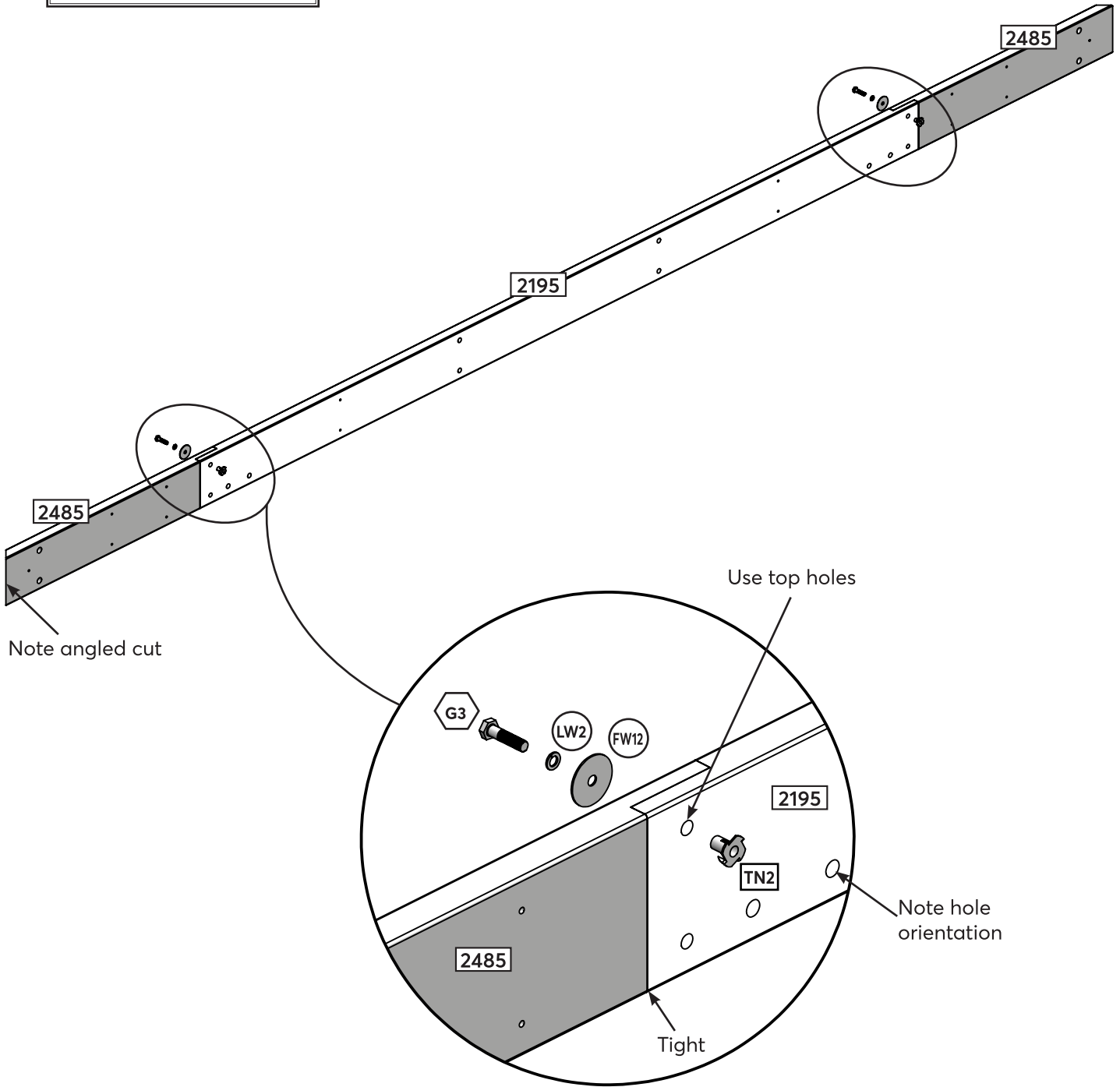
36 x S35

**Components**

2 x Short Beam Insert

# 7 Long Beam Assembly

Complete this step twice  
Note bolt orientation



### Wood Parts

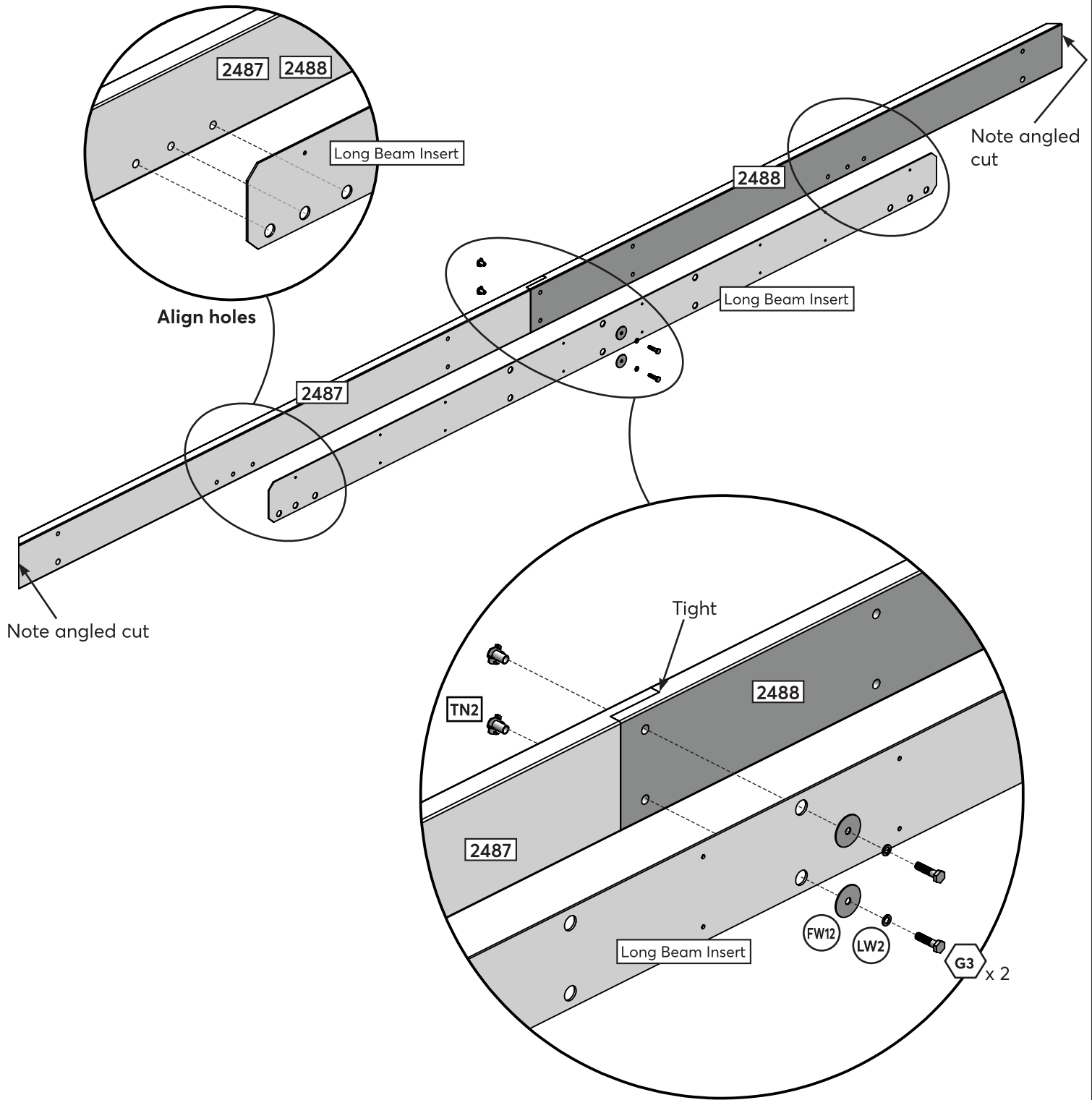
- 4 x 2485
- 2 x 2195

### Hardware

- 4 x G3 (LW2, FW12, TN2)

8

Complete this step twice  
Note bolt orientation



**Wood Parts**

- 2 x 2487
- 2 x 2488

**Hardware**

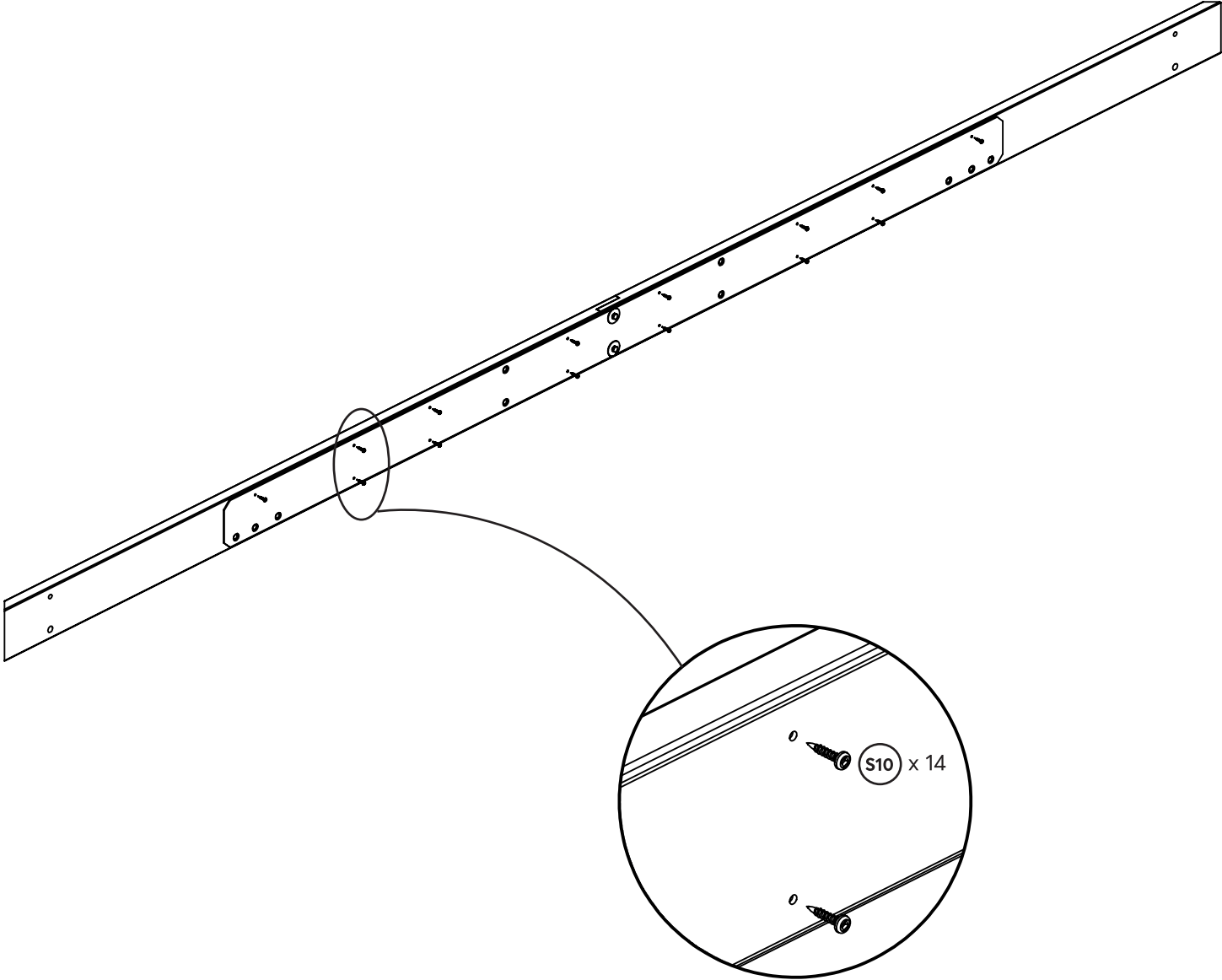
- 4 x G3 (LW2, FW12, TN2)

**Components**

- 2 x Long Beam Insert

9

Complete this step twice

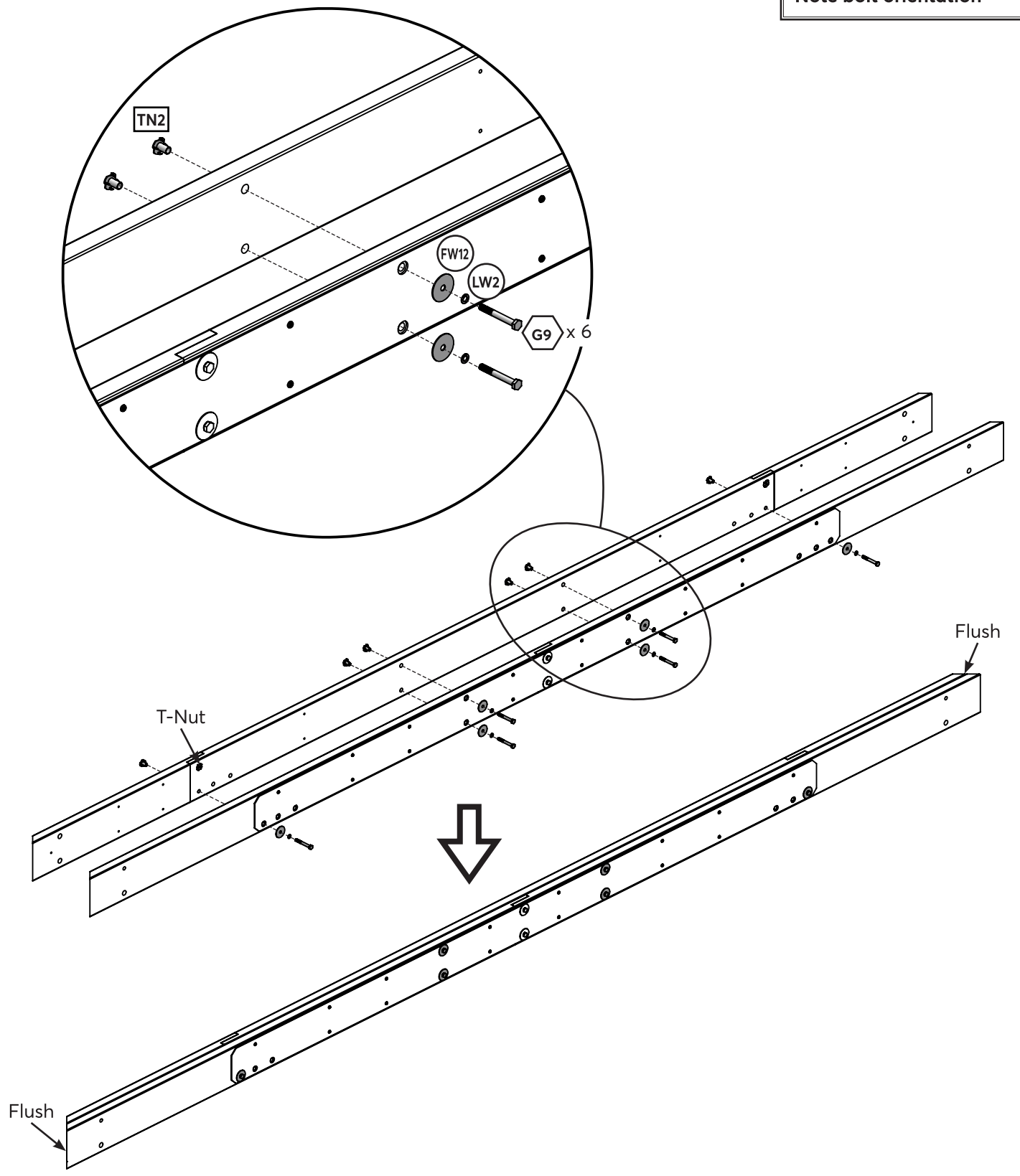


**Hardware**

28 x S10

10

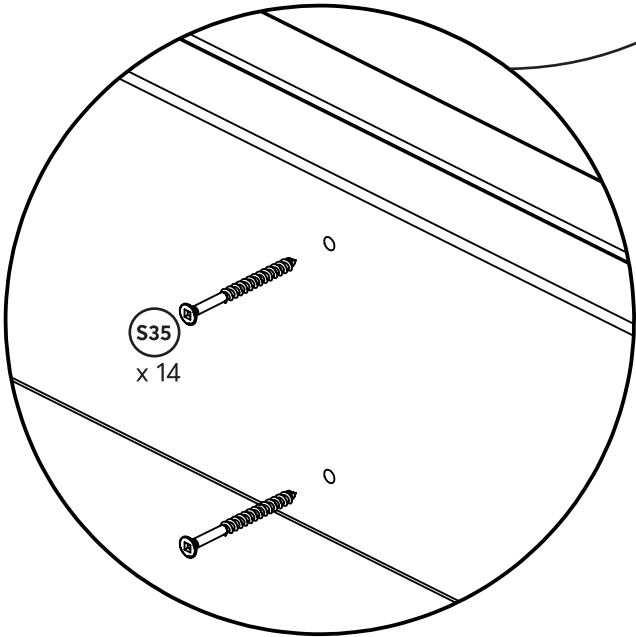
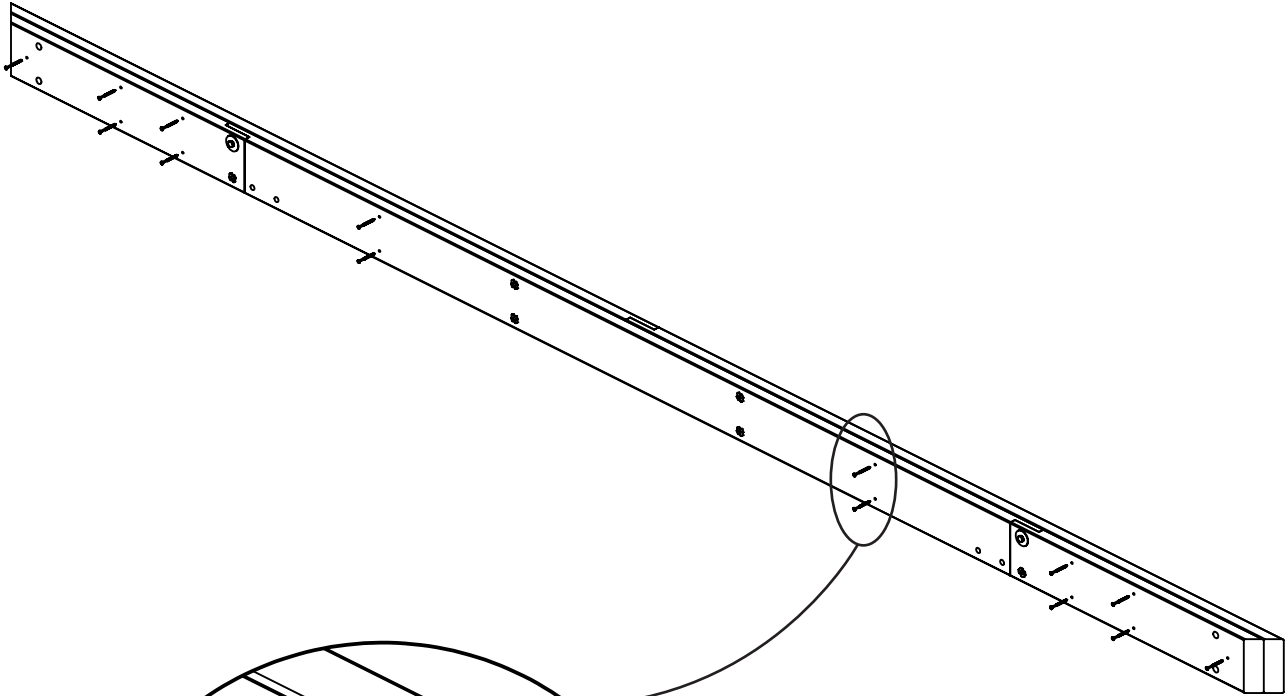
Complete this step twice  
Note bolt orientation



**Hardware**  
12 x  (LW2, FW12, TN2)

11

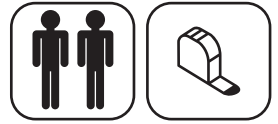
Complete this step twice



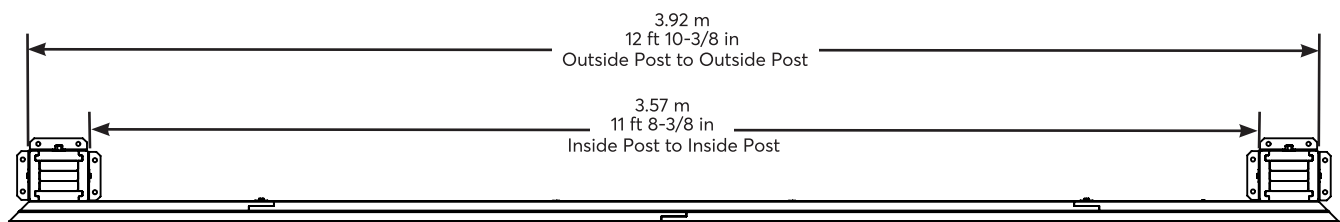
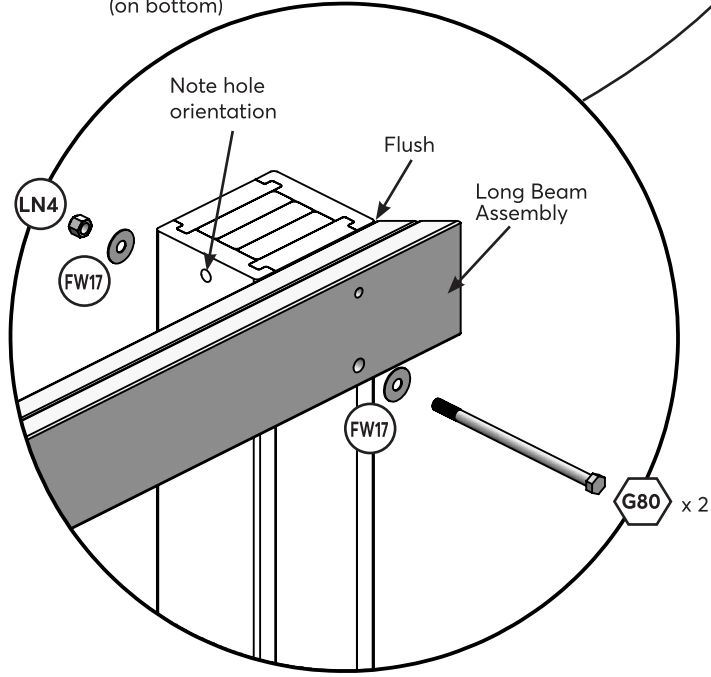
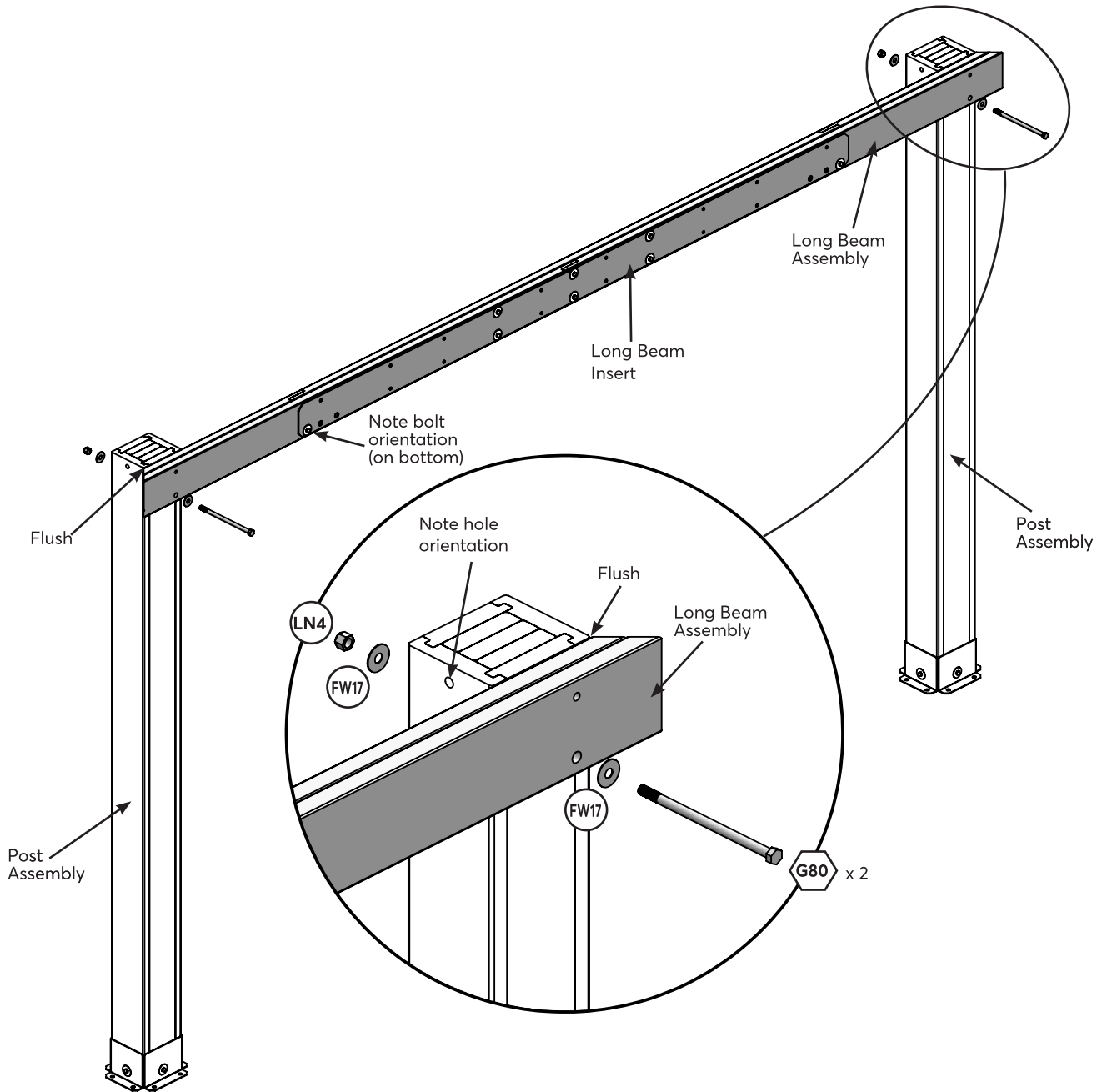
**Hardware**

28 x S35

# 12 Frame Assembly



Complete this step twice.



Top View

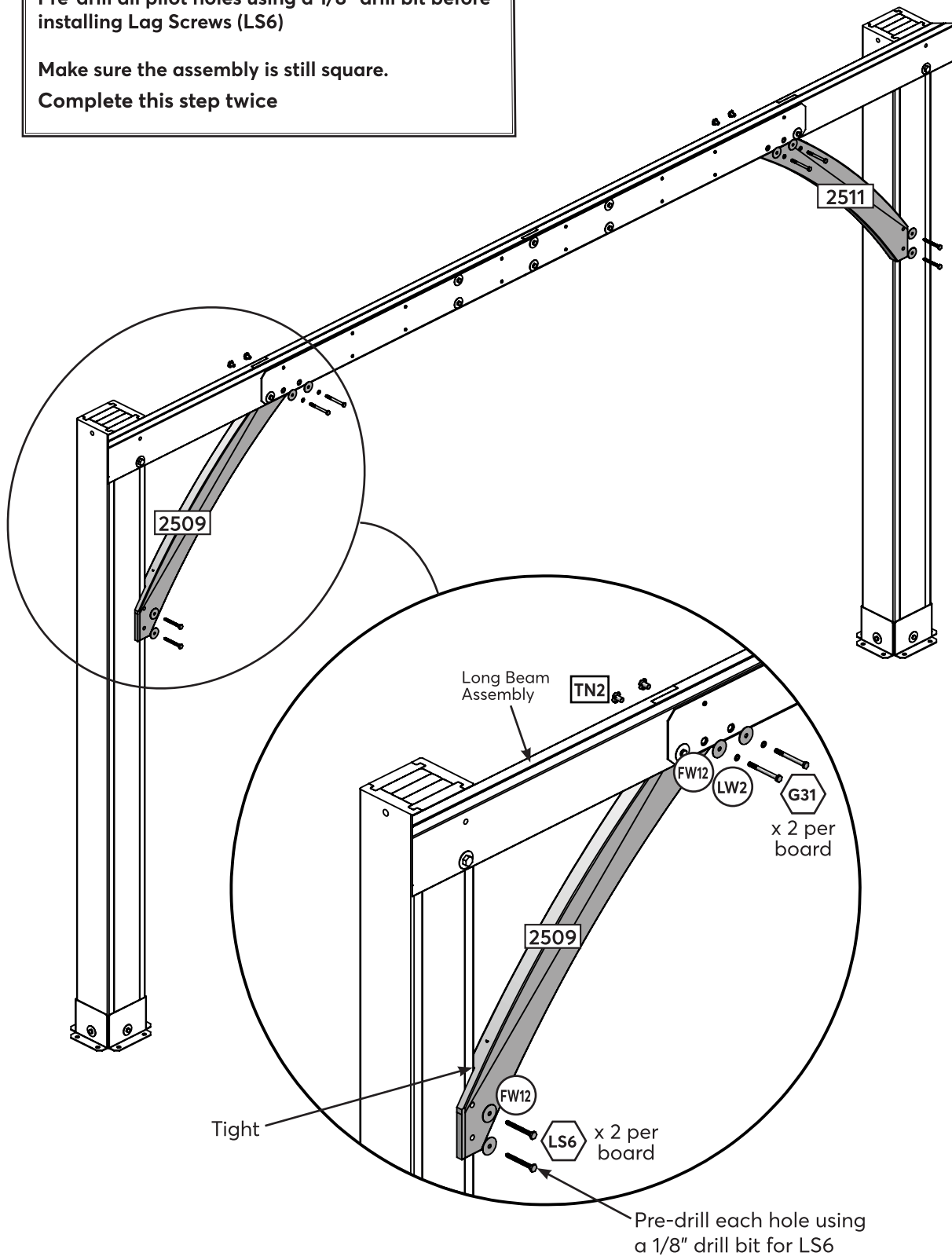
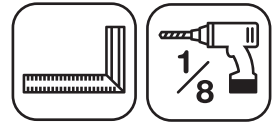
- Hardware**  
 4 x (FW17 x 2, LN4)

13

Note: The bevelled ends on each gusset should always face away from the wood it is attaching to.

Pre-drill all pilot holes using a 1/8" drill bit before installing Lag Screws (LS6)

Make sure the assembly is still square.  
Complete this step twice



**Wood Parts**

2 x 2511

2 x 2509

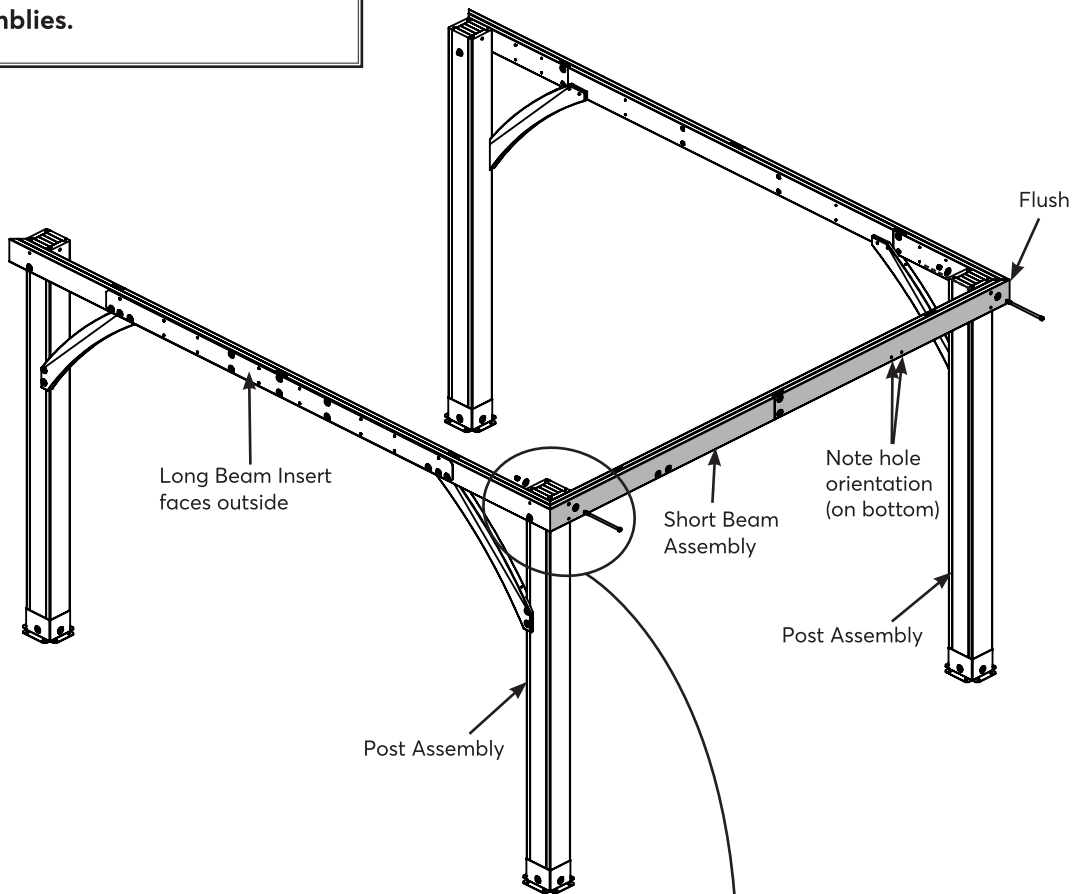
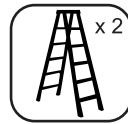
**Hardware**

8 x LS6 (FW12)

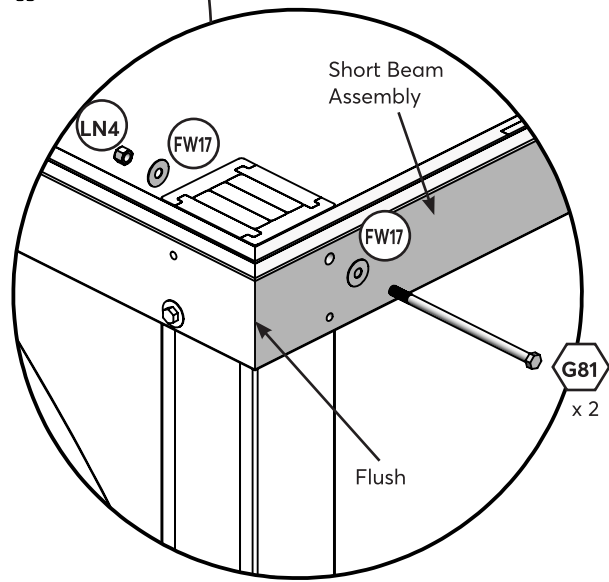
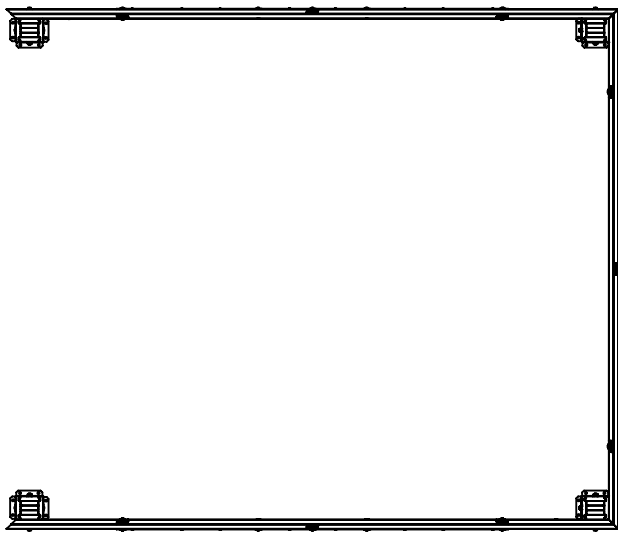
8 x G31 (LW2, FW12, TN2)

14

Move your Post Assemblies to the final location.  
Make sure the ground is flat and level before continuing assembly.  
With one person at each Post stand two complete Post Assemblies.



Top View

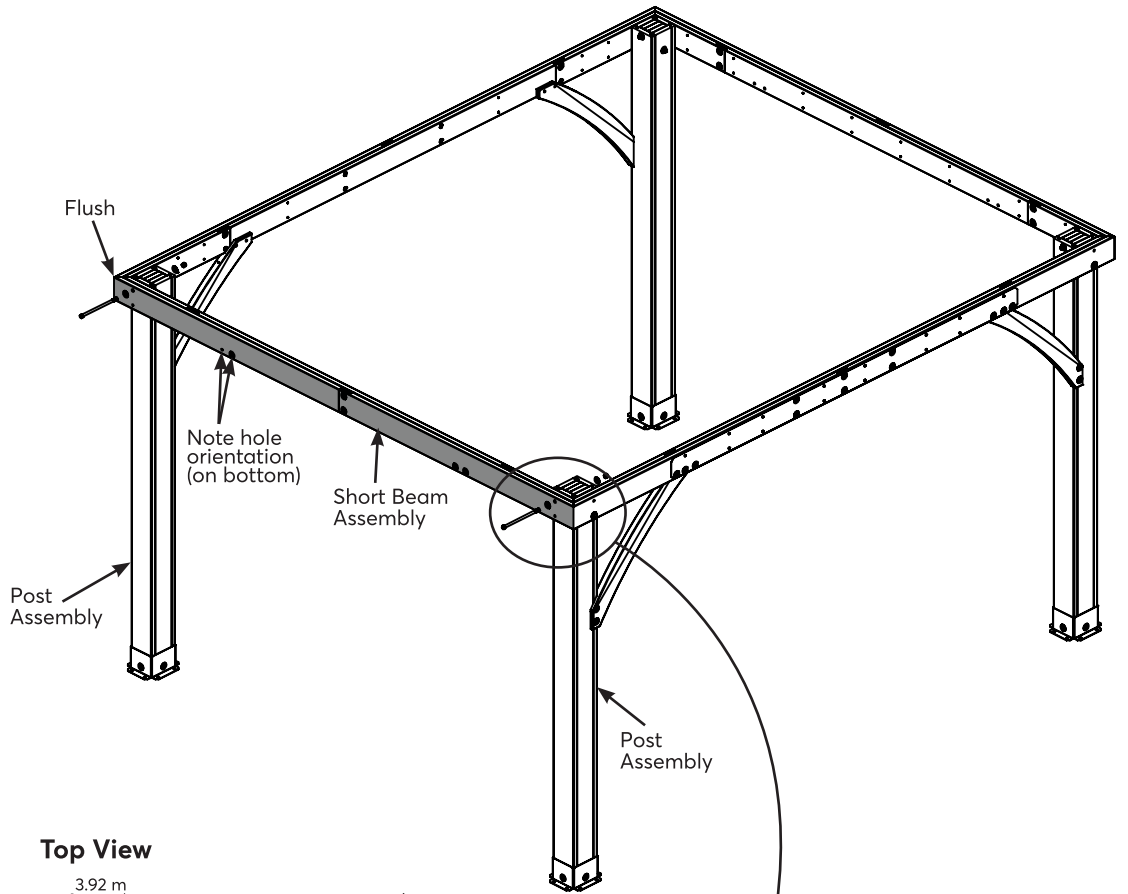


**Hardware**

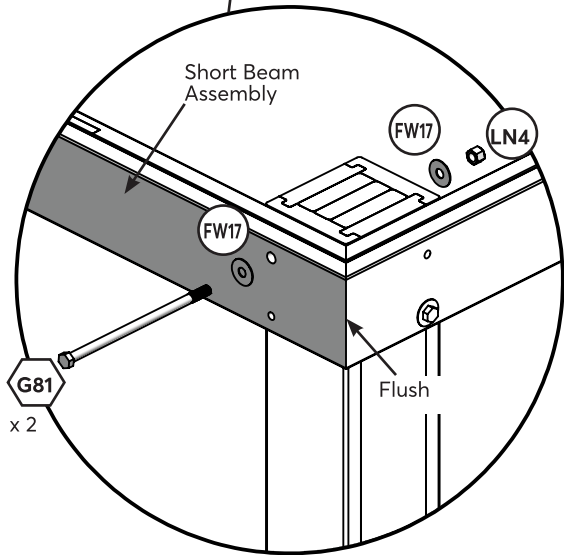
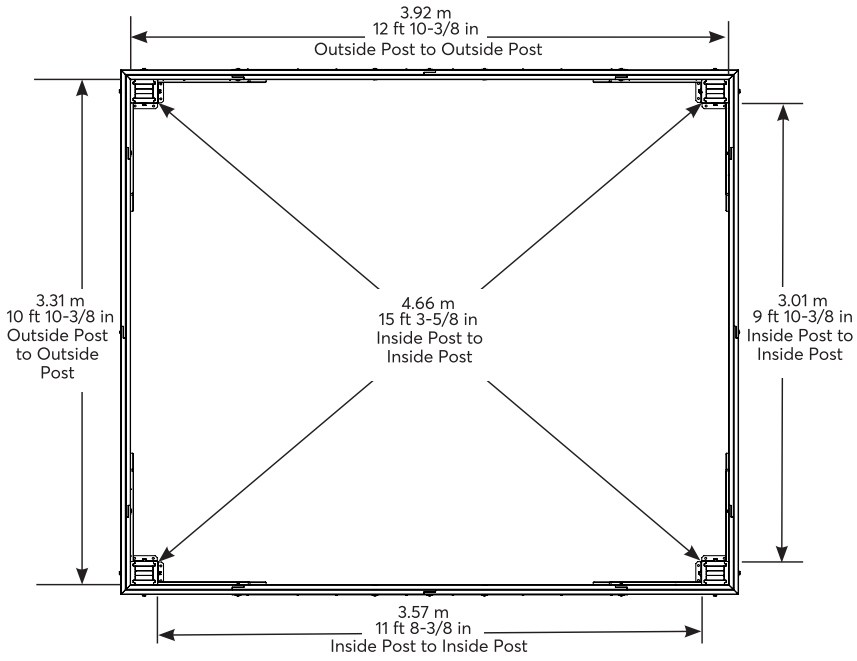
2 x  (FW17 x 2, LN4)

15

With one person at each Post stand two complete Post Assemblies.



Top View



Hardware

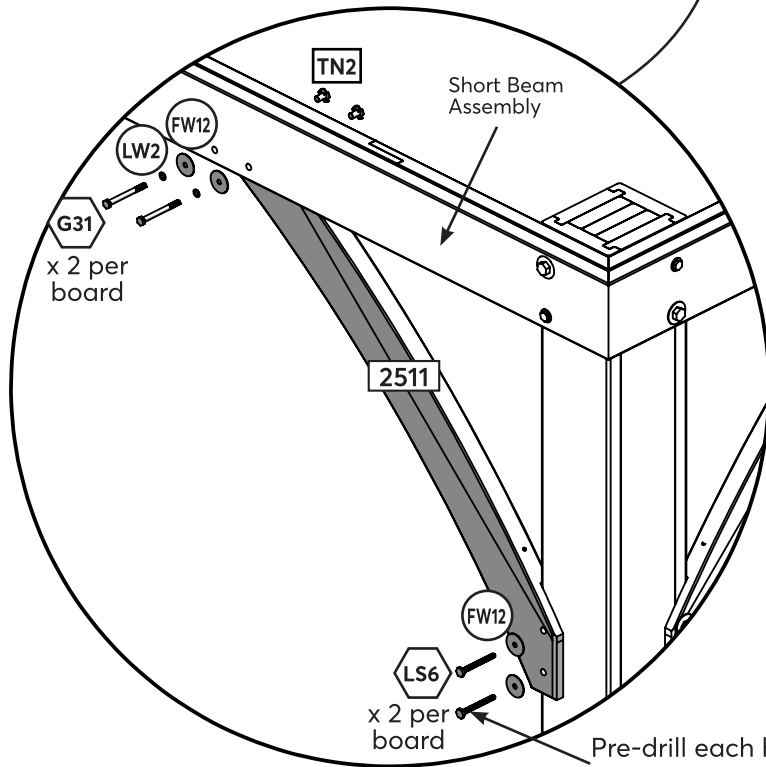
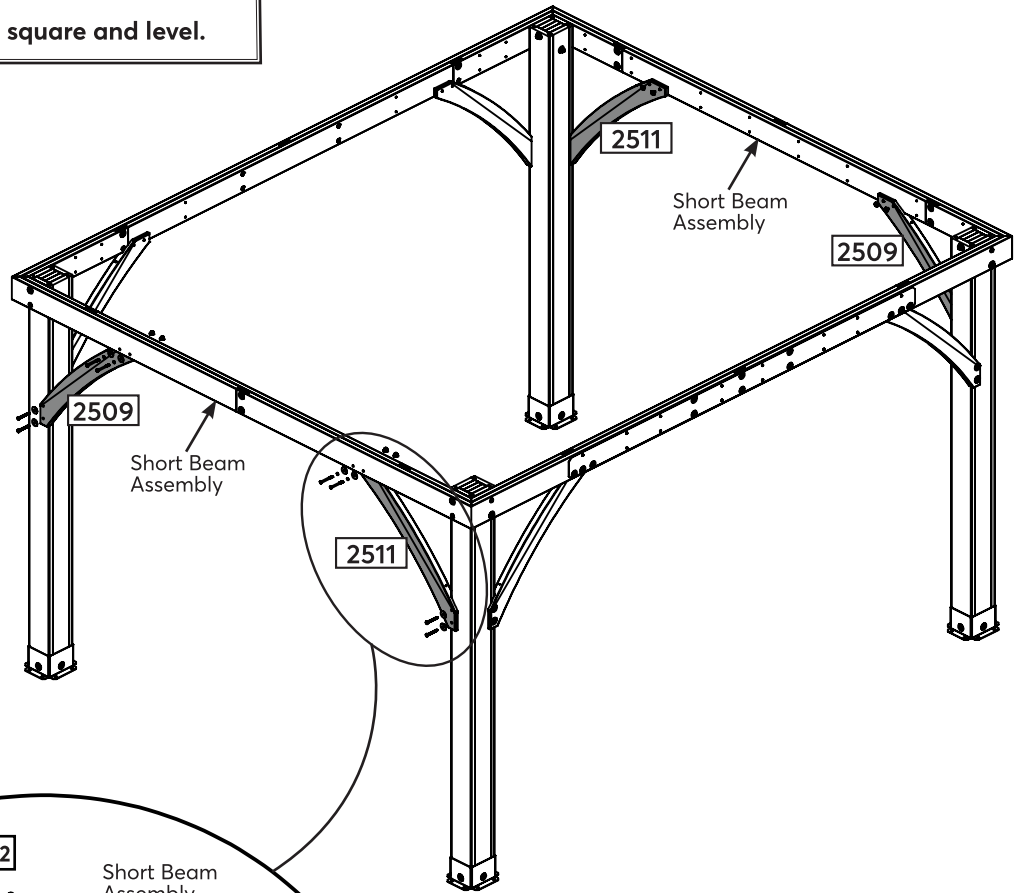
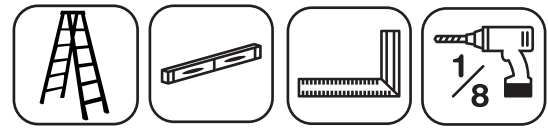
2 x G81 (FW17 x 2, LN4)

16

Note: The bevelled ends on each gusset should always face away from the wood it is attaching to.

Pre-drill all pilot holes using a 1/8" drill bit before installing Lag Screws (LS6).

Make sure the assembly is still square and level.



**Wood Parts**

- 2 x 2511
- 2 x 2509

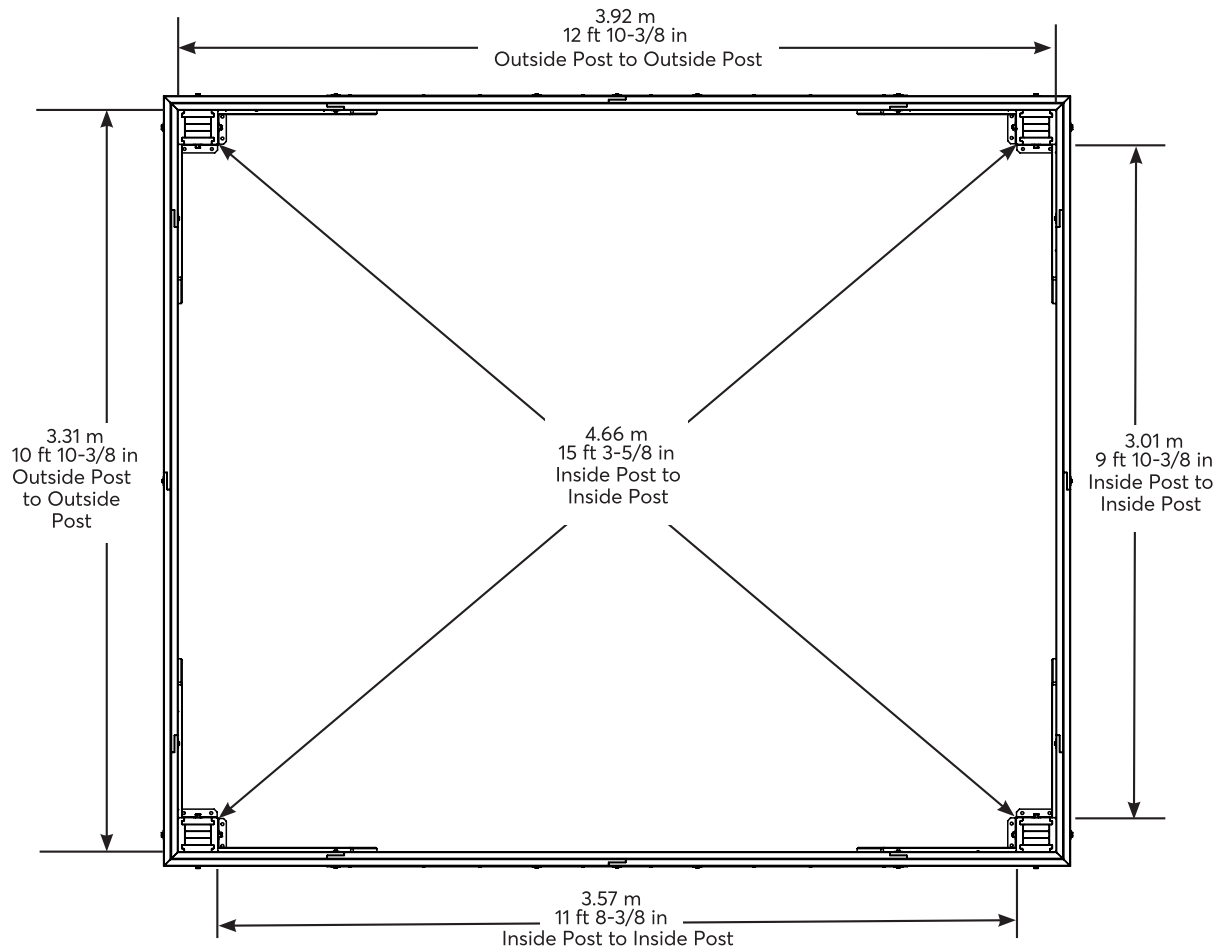
**Hardware**

- 8 x LS6 (FW12)
- 8 x G31 (LW2, FW12, TN2)

# 17 Check Frame Dimensions

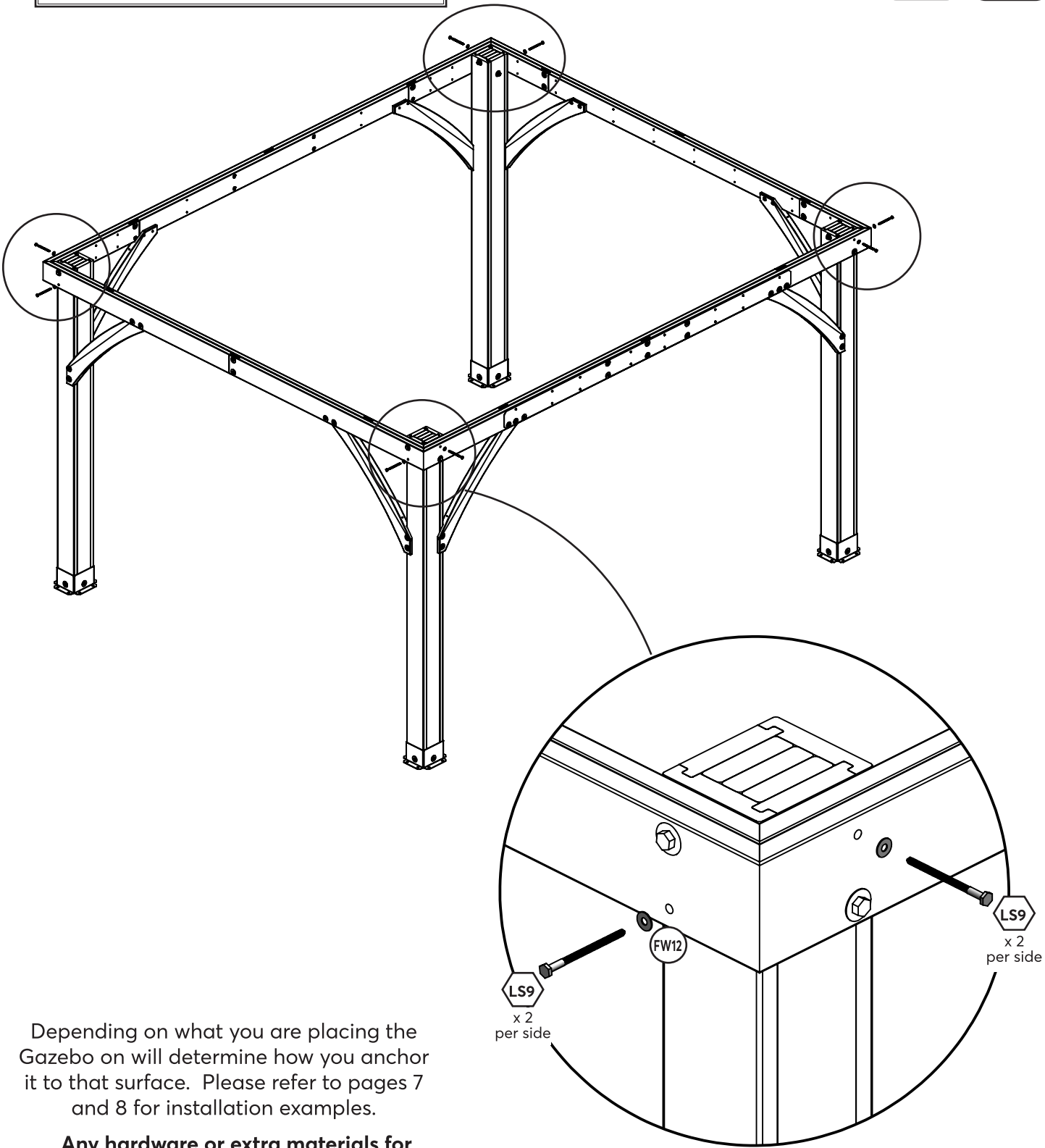


The diagonal distance between the inside of two posts should be 15 ft 3-5/8 in (4.66 m) (measuring from posts not Post Mounts)



18

Note: Pre-drill all pilot holes using a 1/8" drill bit before installing Lag Screws.



Depending on what you are placing the Gazebo on will determine how you anchor it to that surface. Please refer to pages 7 and 8 for installation examples.

**Any hardware or extra materials for mounting will have to be purchased in advance.**

Hardware

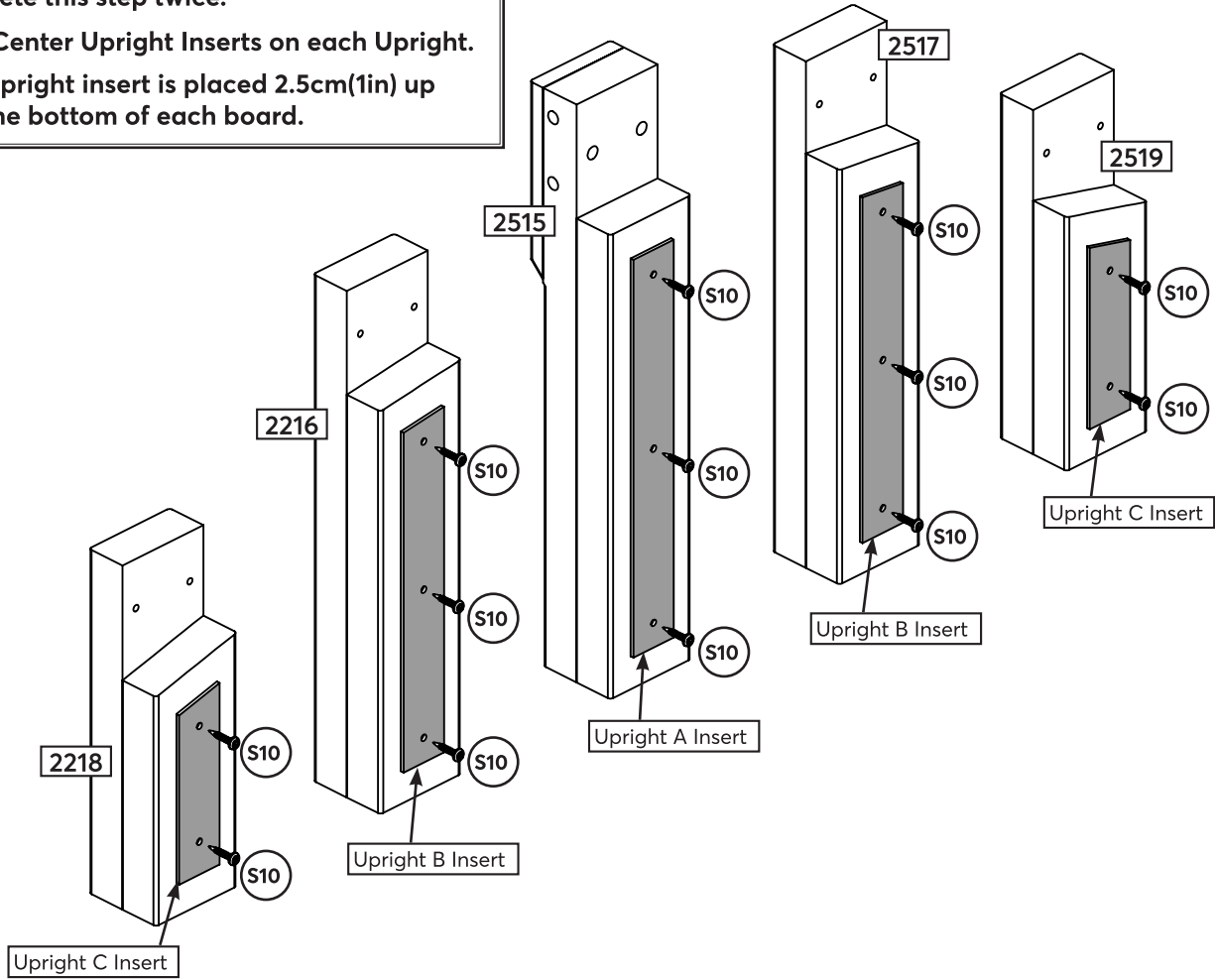
8 x (FW12)

# 19 Arched Roof Assembly

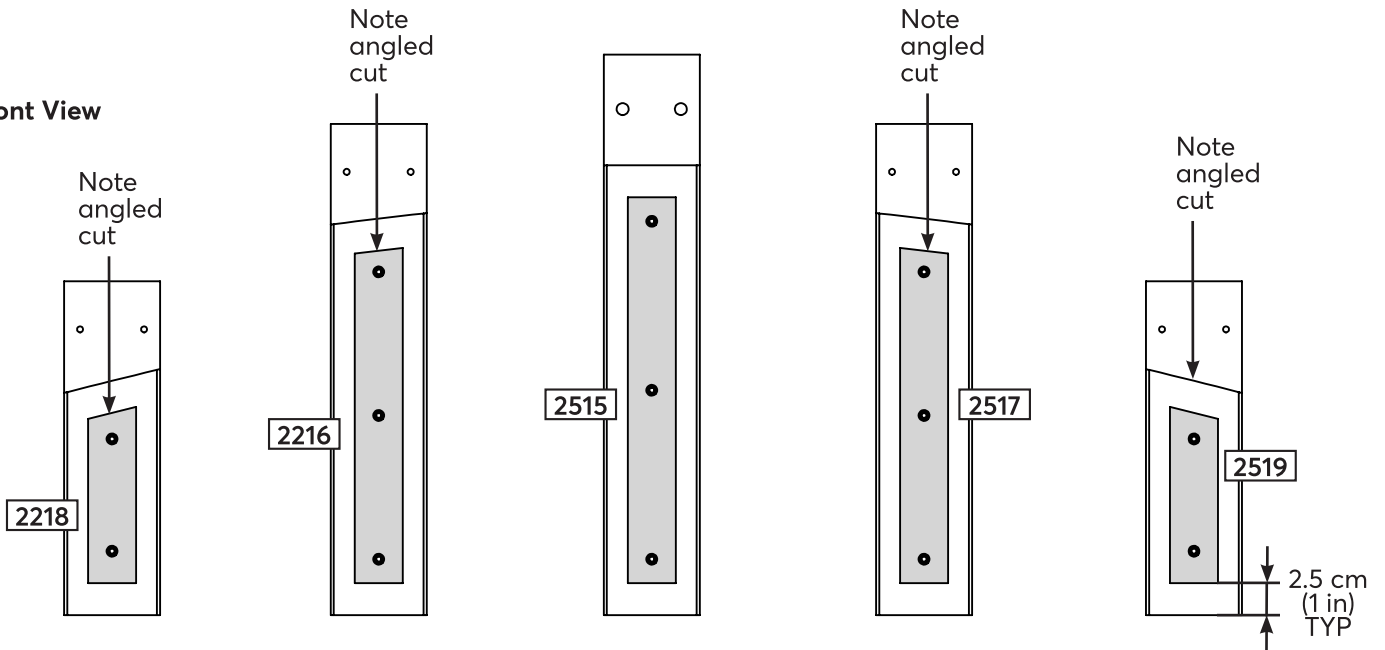


Complete this step twice.

Note: Center Upright Inserts on each Upright.  
Each upright insert is placed 2.5cm(1in) up from the bottom of each board.



## Front View



### Wood Parts

- 2 x 2515    2 x 2517
- 2 x 2516    2 x 2519
- 2 x 2518

### Hardware

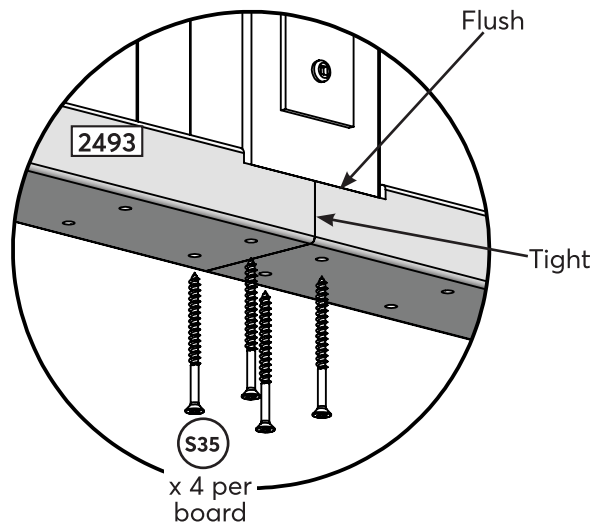
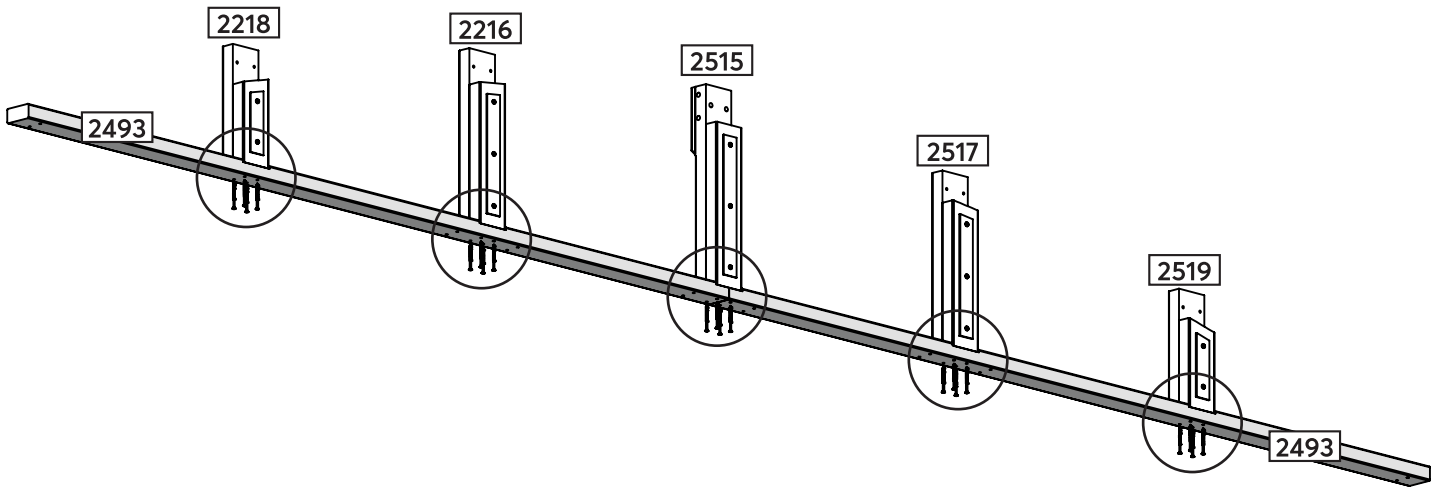
- 26 x S10

### Components

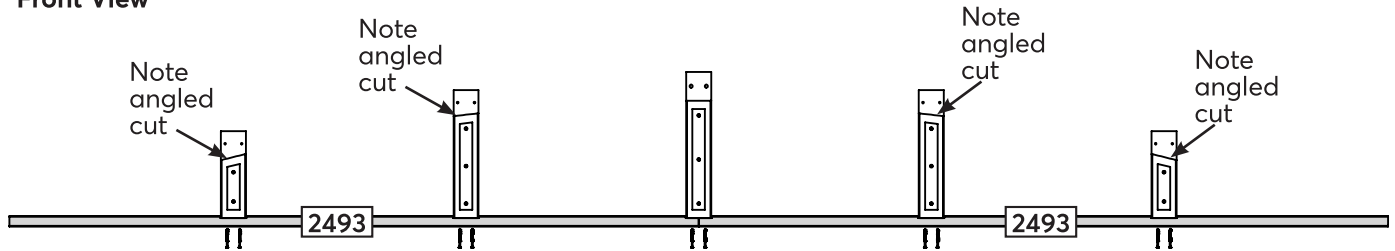
- 4 x Upright C Insert
- 4 x Upright B Insert
- 2 x Upright A Insert

20

Complete this step twice



Front View



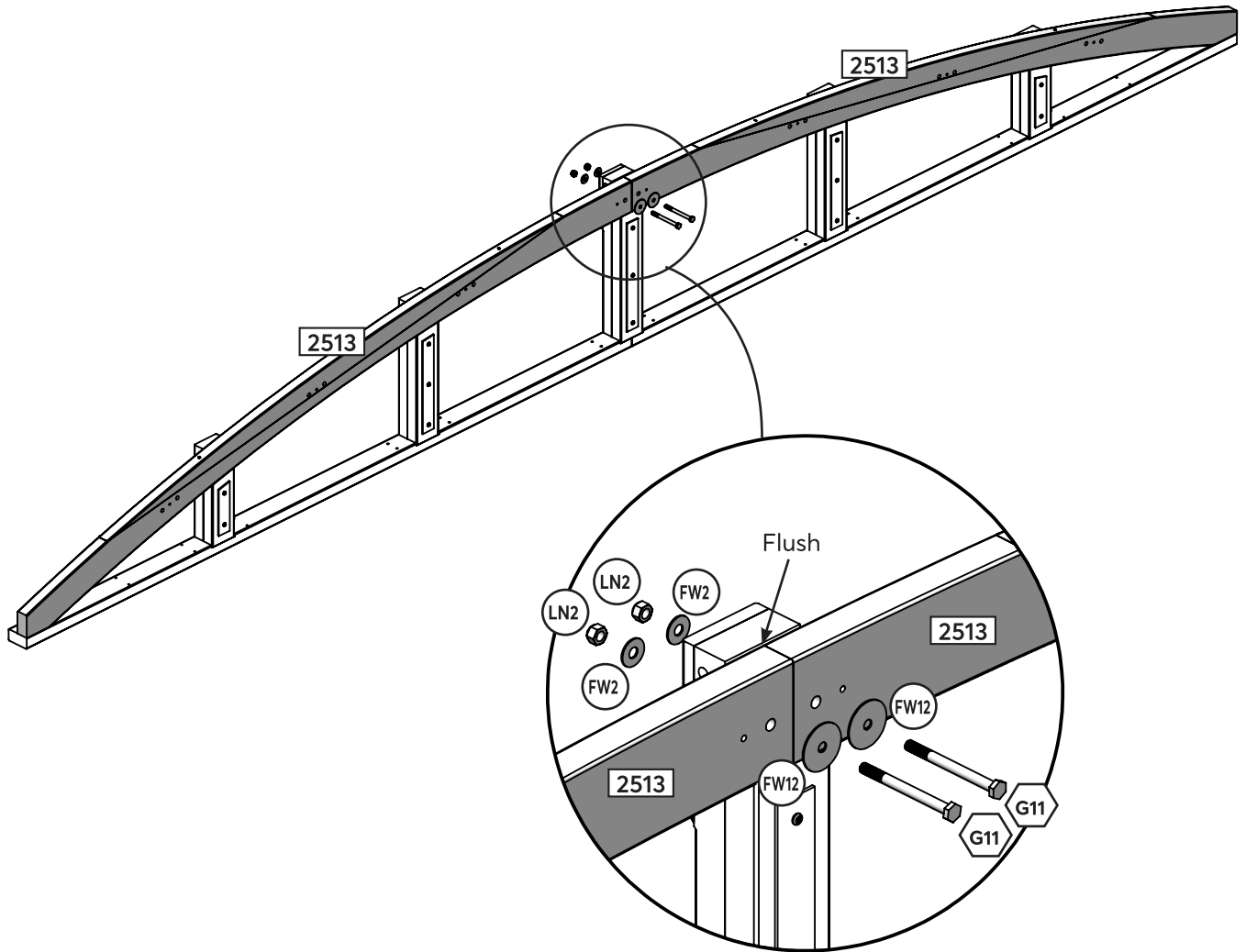
Wood Parts  
4 x 2493

Hardware  
40 x S35

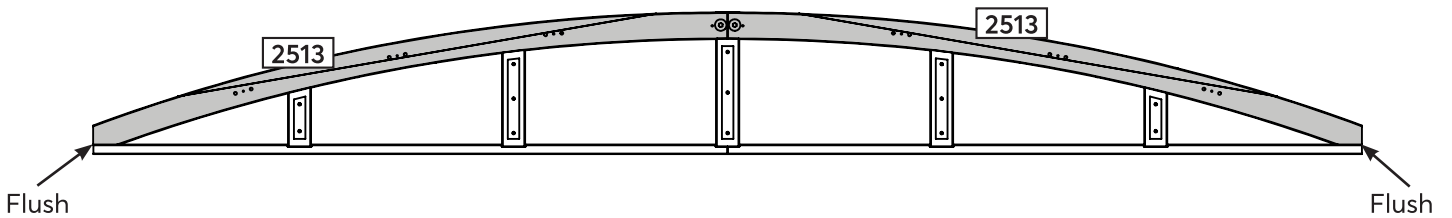
21

Complete this step twice

NOTE: Handle assembly carefully until after Step 22 is complete



Front View



**Wood Parts**

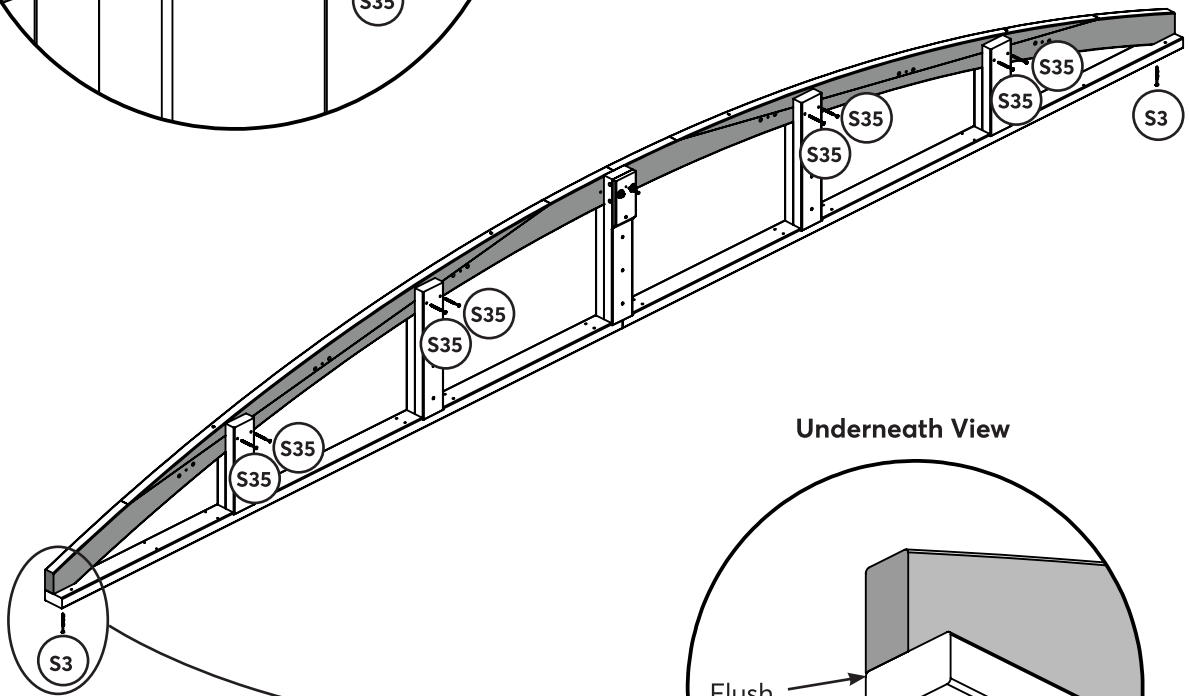
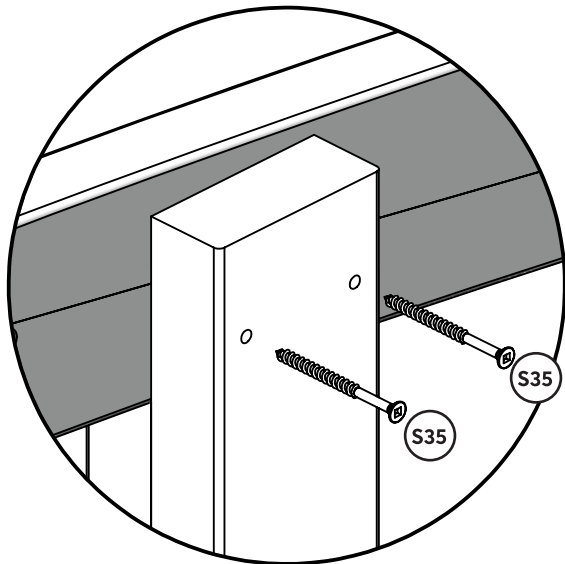
4 x 2513

**Hardware**

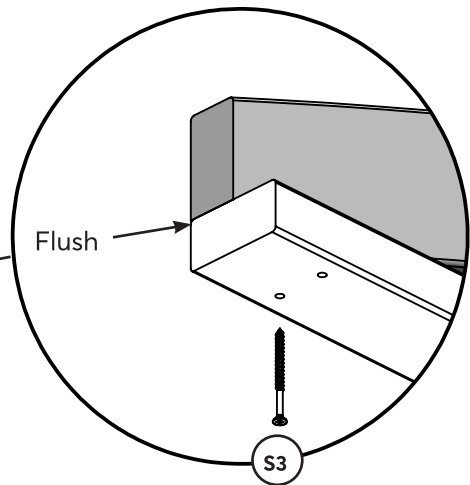
4 x G11 (FW2, FW12, LN2)

22

Complete this step twice



Underneath View



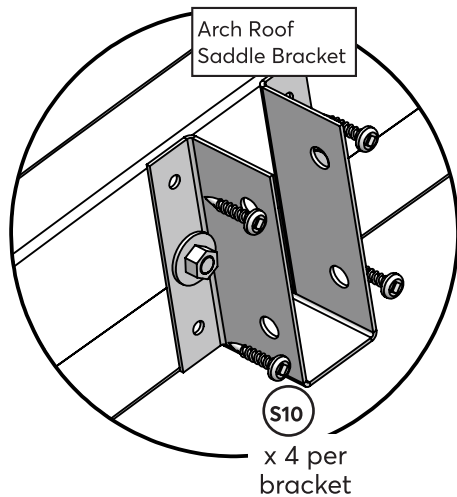
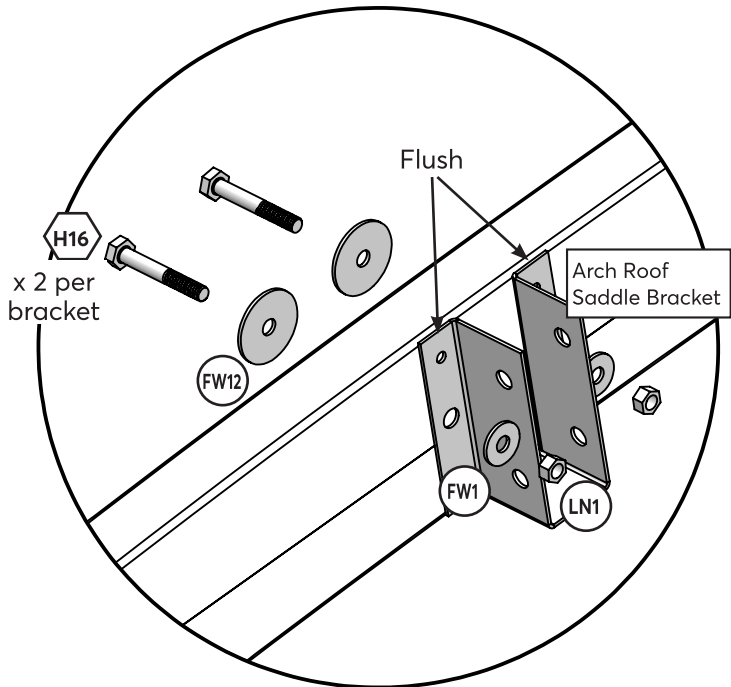
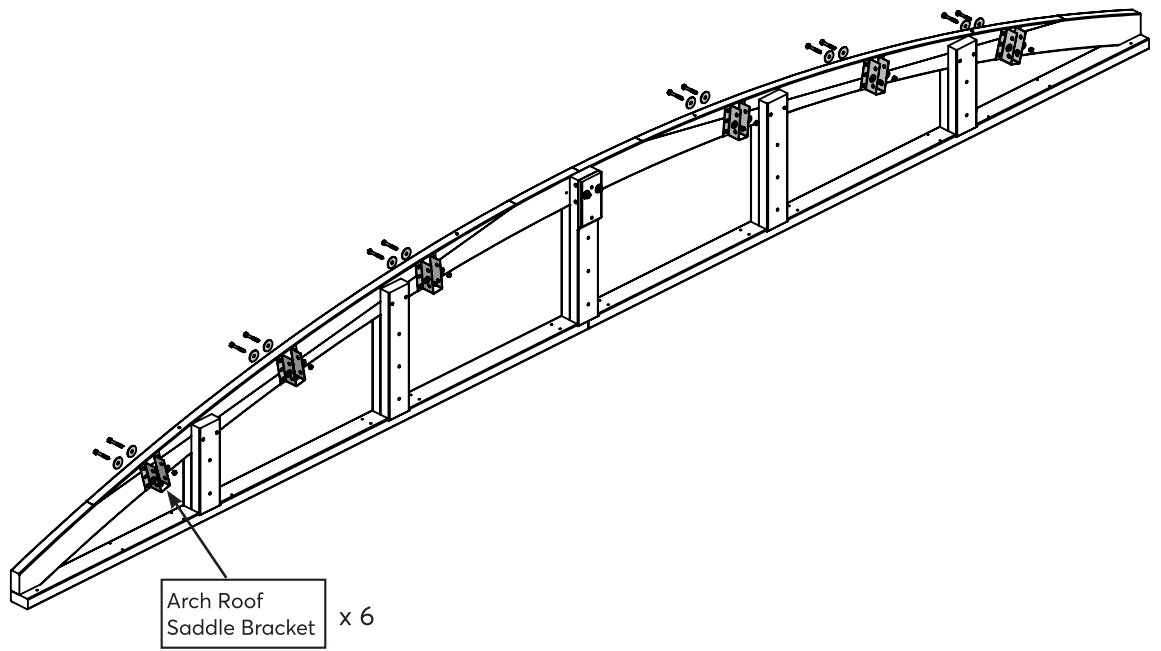
**Hardware**

16 x 

4 x 

23

Complete this step twice

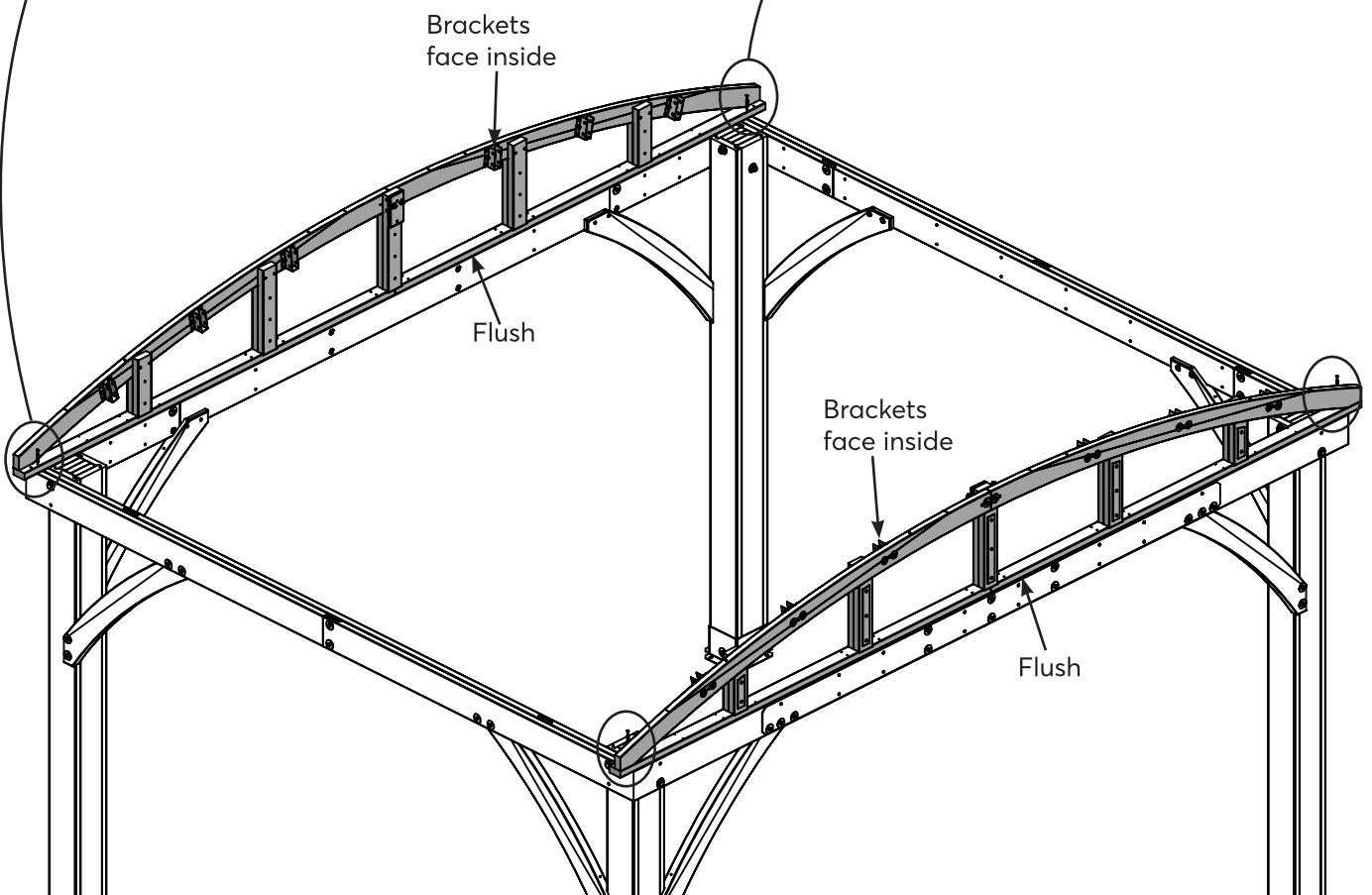
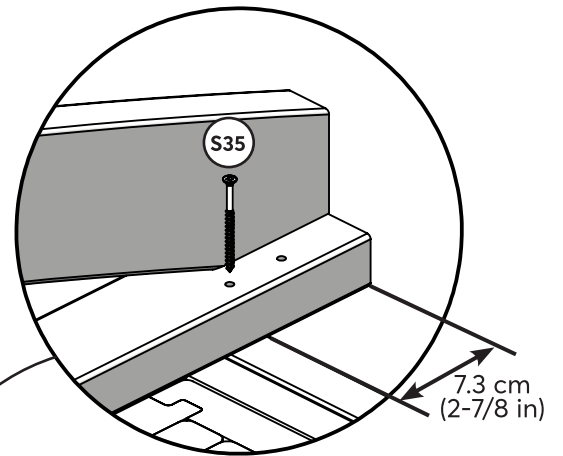
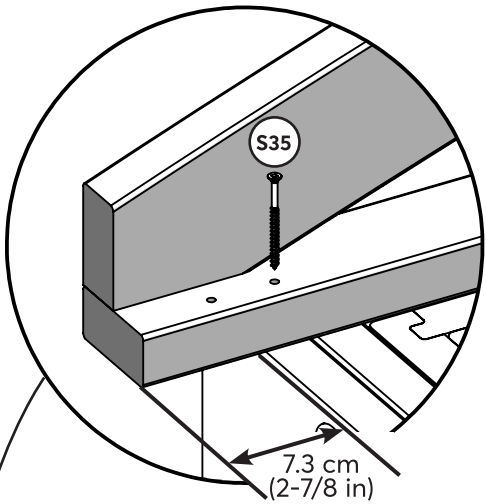


**Hardware**


- 48 x S10
- 24 x H16 (FW1, FW12, LN1)

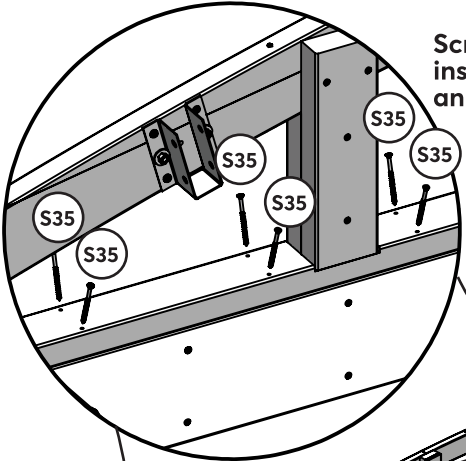
**Components**

- 12 x Arch Roof Saddle Bracket

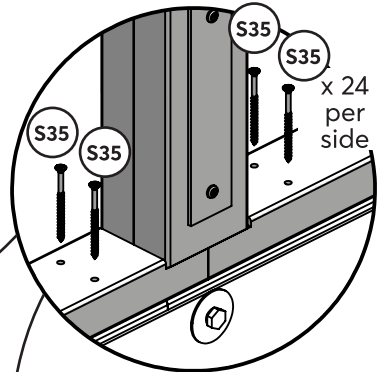


**Hardware**

4 x 

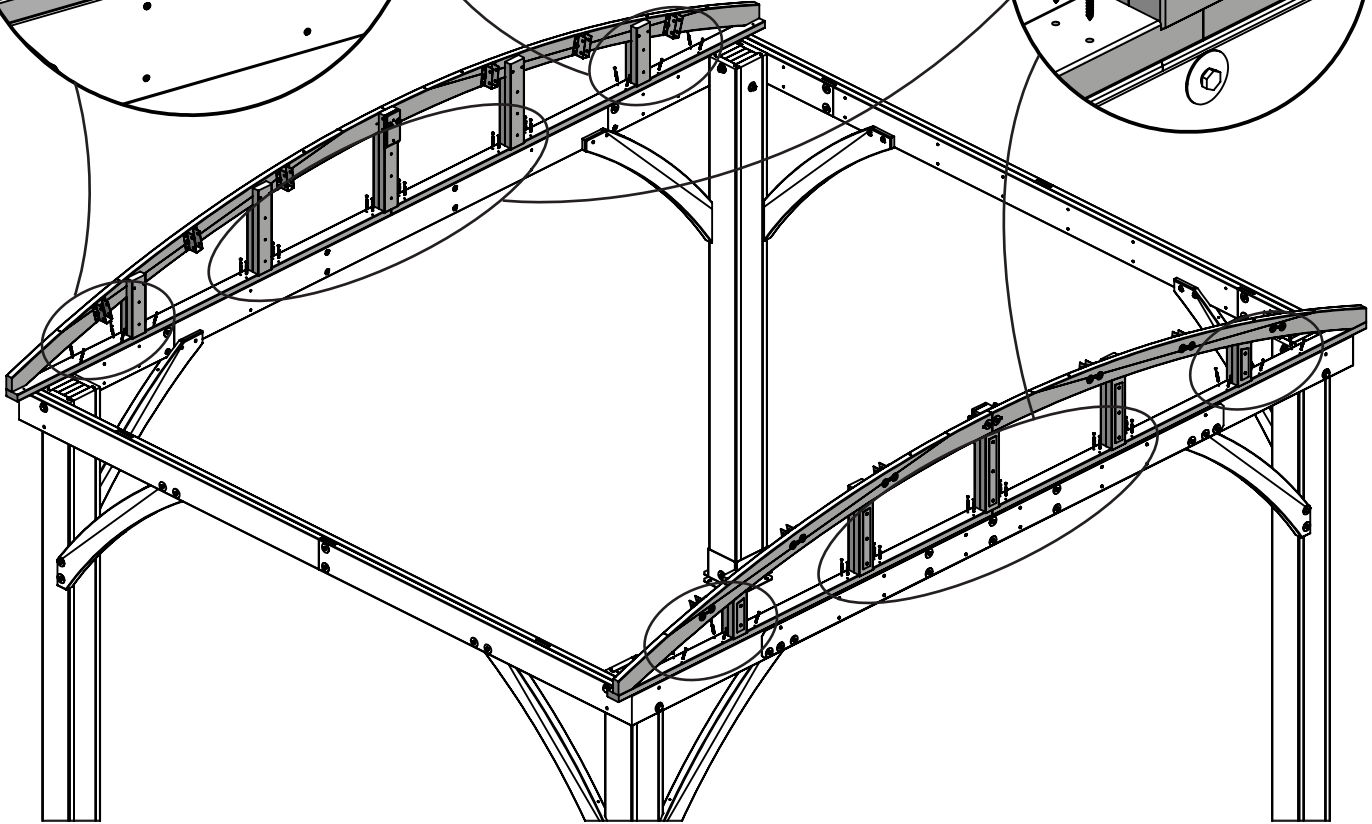


Screws are installed at an angle

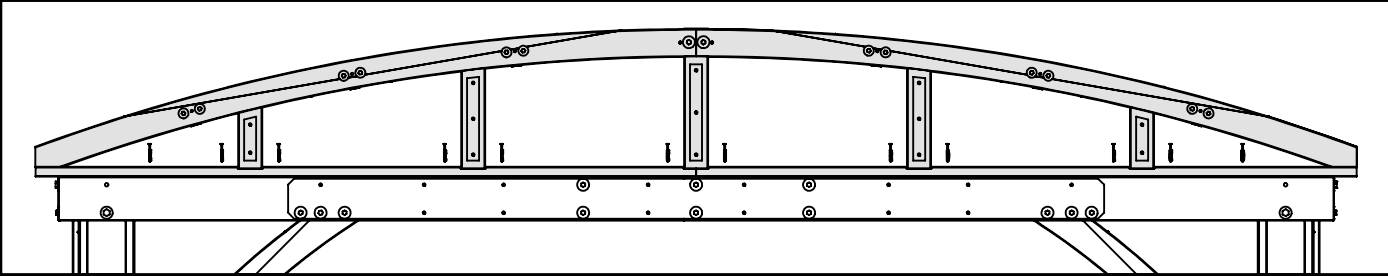


Screws are installed straight

x 24 per side



Front View

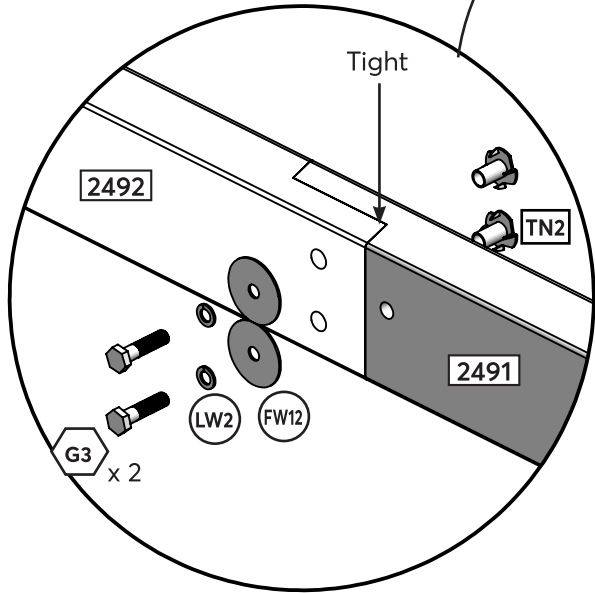
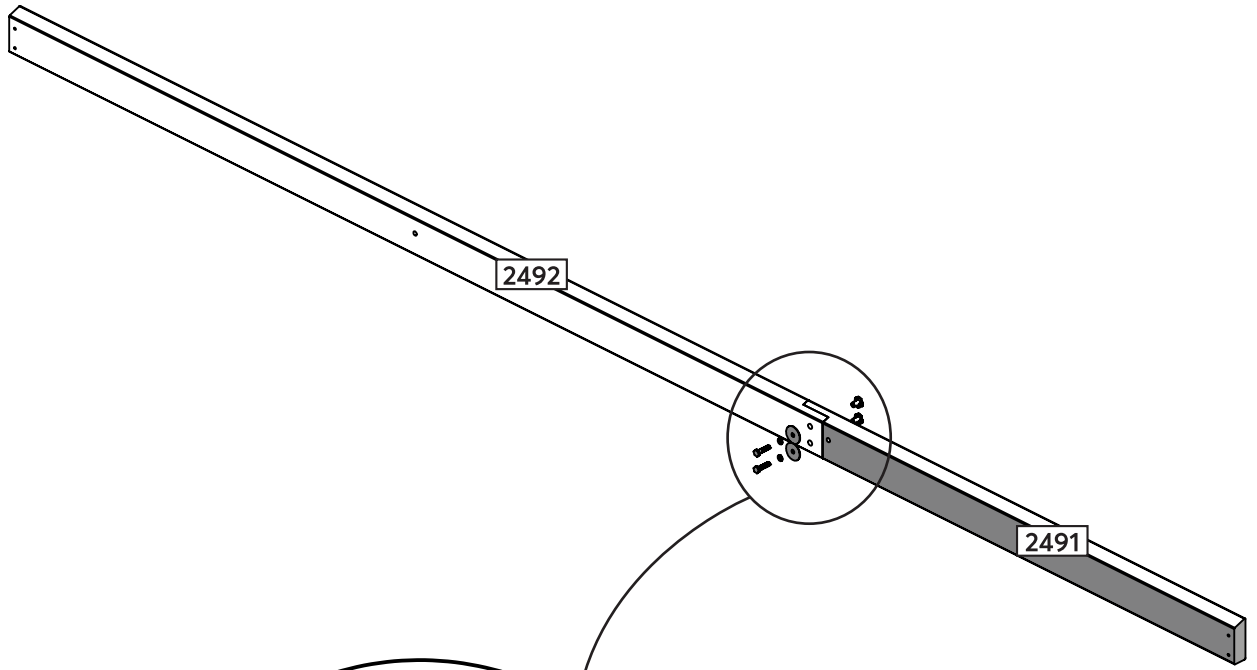


Hardware

48 x S35

26

Complete this step twice

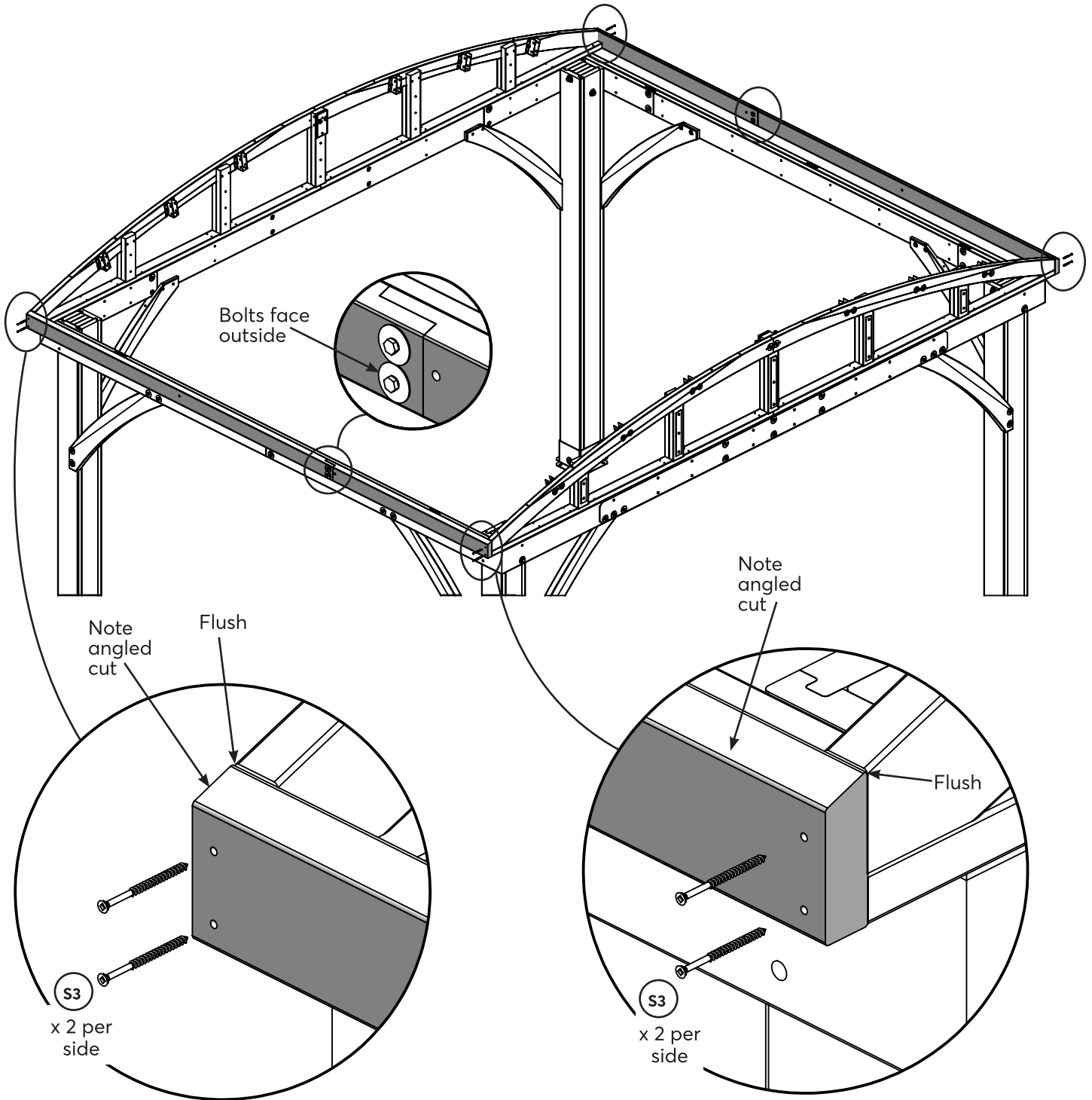


**Wood Parts**

- 2 x 2491
- 2 x 2492

**Hardware**

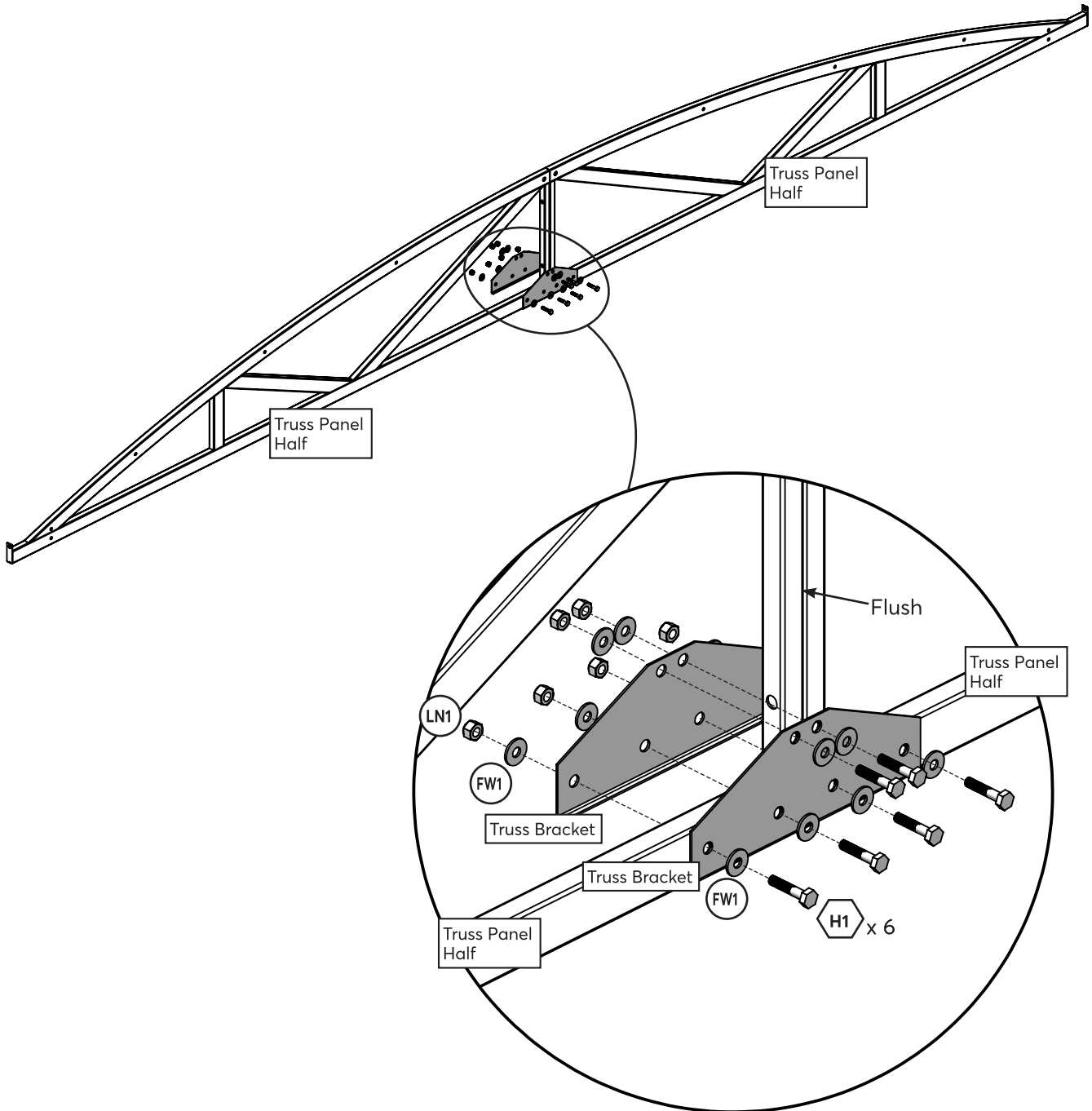
- 4 x G3 (LW2, FW12, TN2)

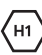


**Hardware**

8 x (S3)

Complete this step twice

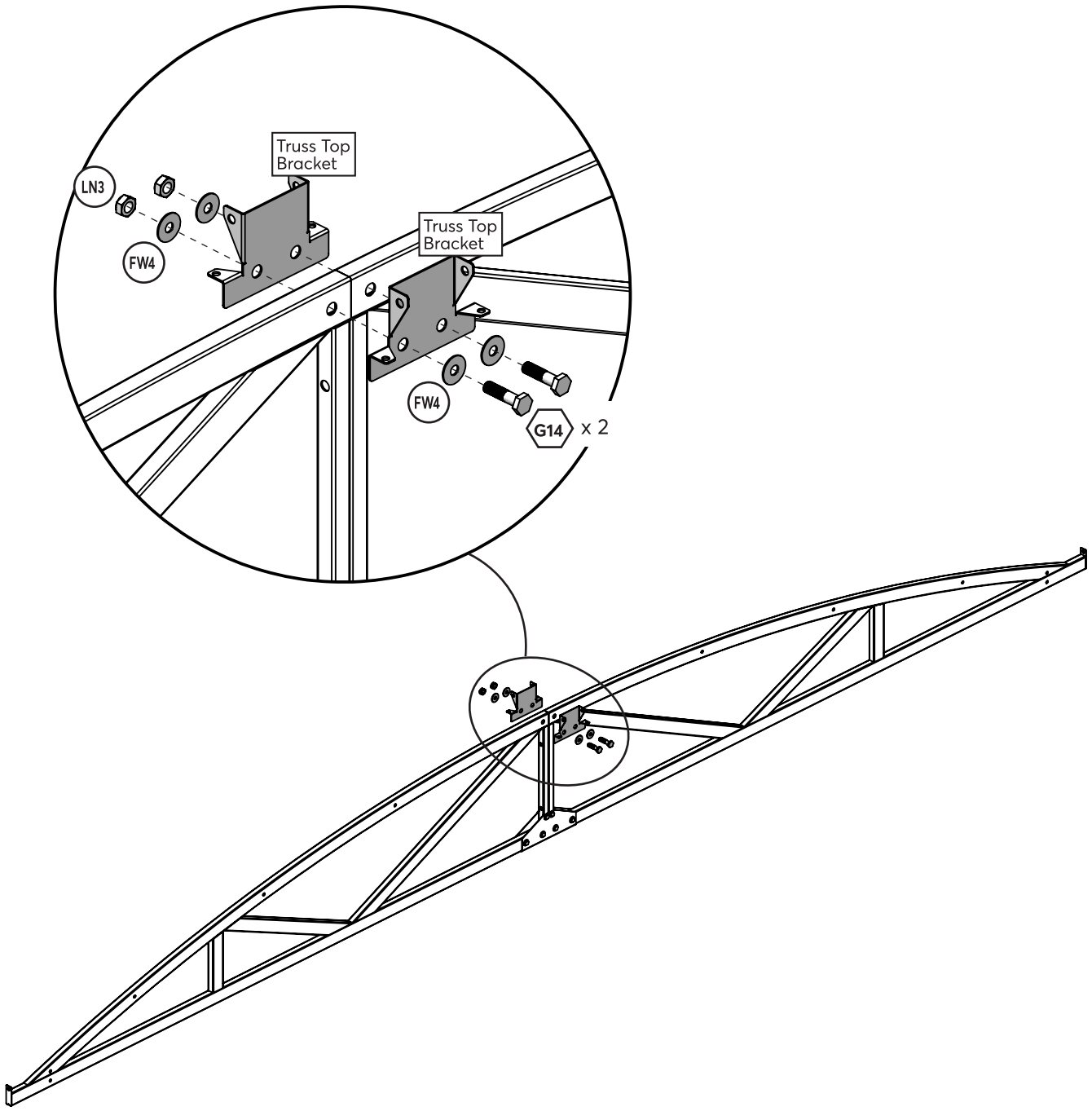


**Hardware**  
12 x  (FW1 x 2, LN1)

**Components**  
4 x Truss Bracket  
4 x Truss Panel Half

29

Complete this step twice

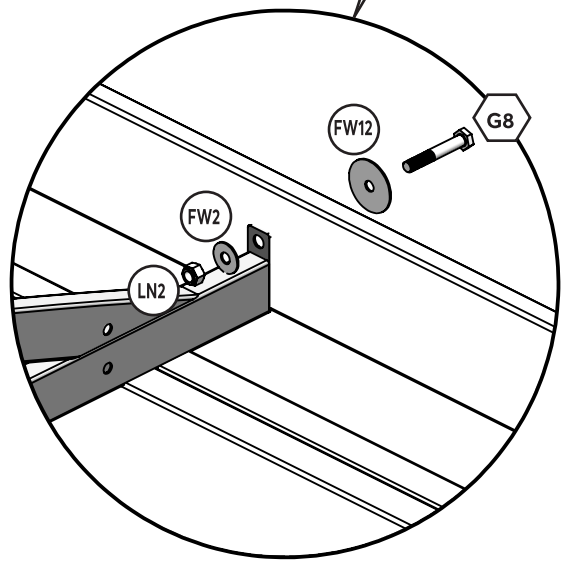
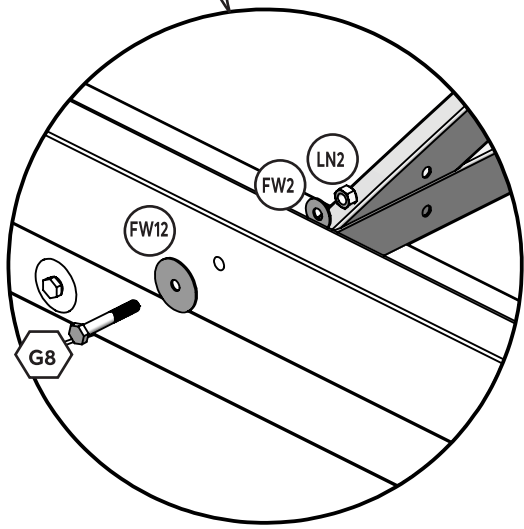
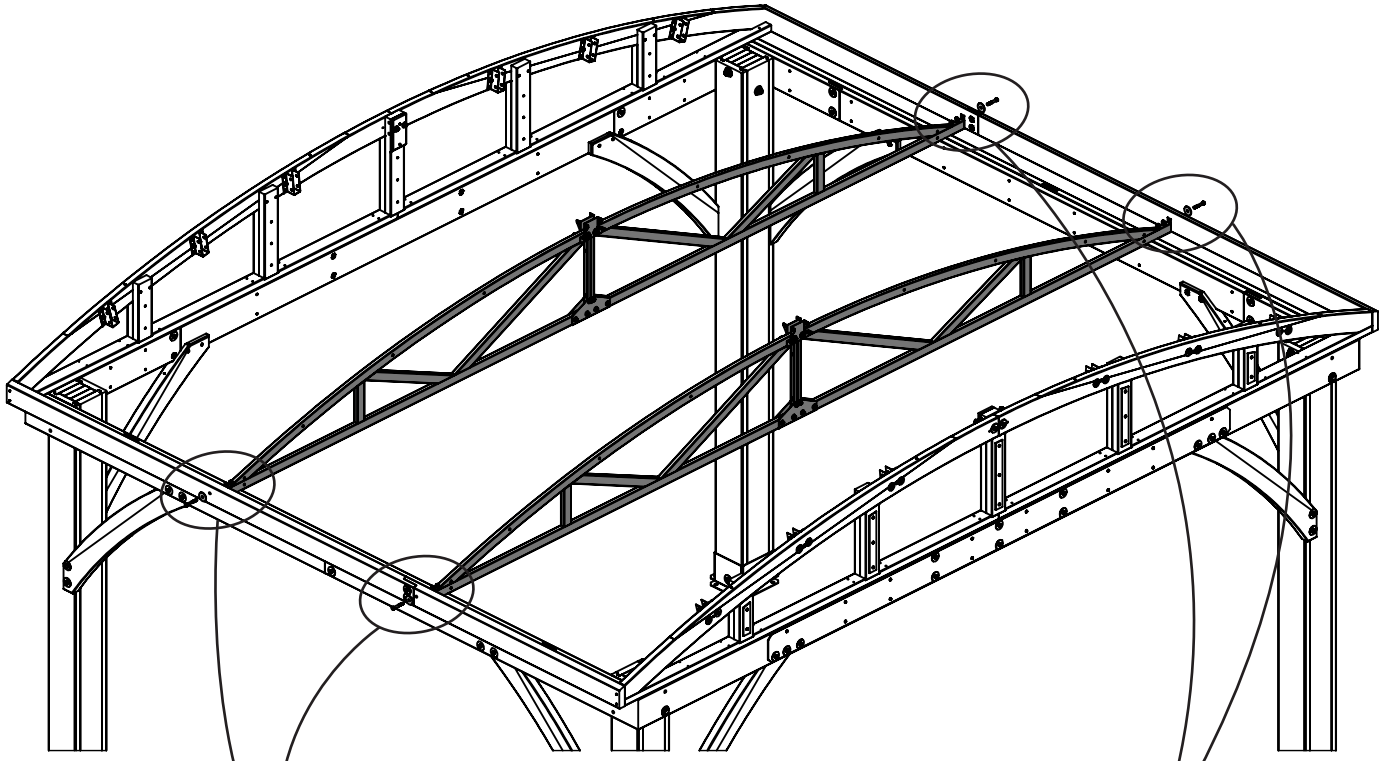


**Hardware**

4 x  (FW4 x 2, LN3)

**Components**

4 x Truss Top Bracket

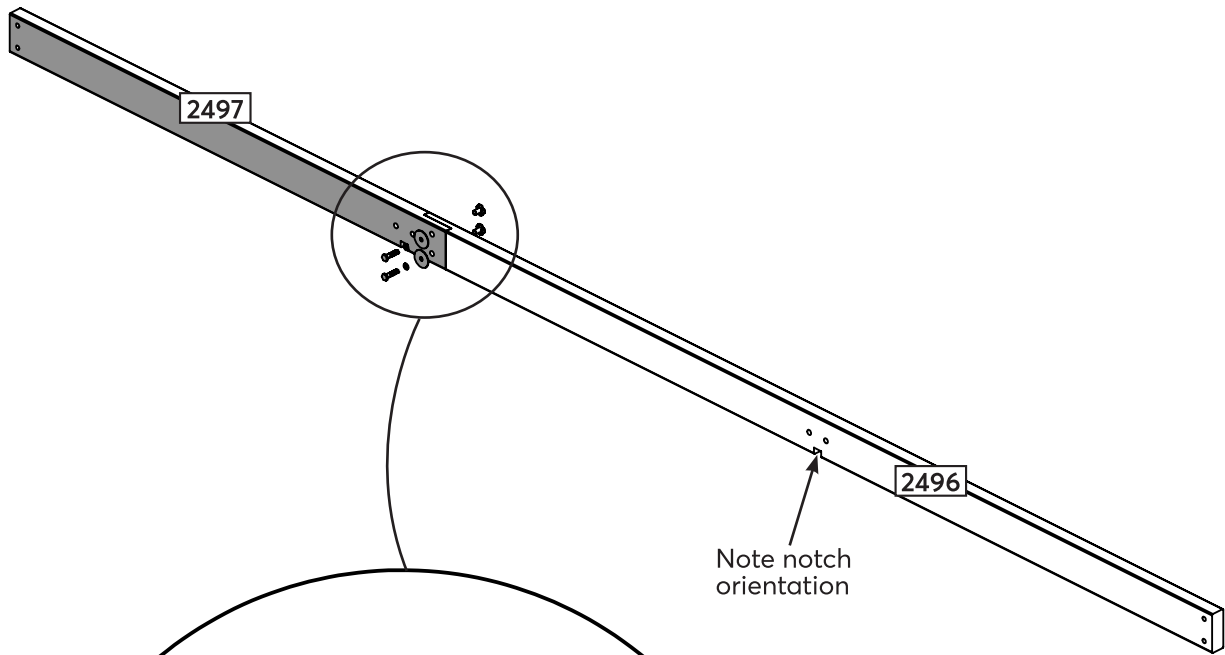


**Hardware**

4 x  (FW2, FW12, LN2)

31

Complete this step twice

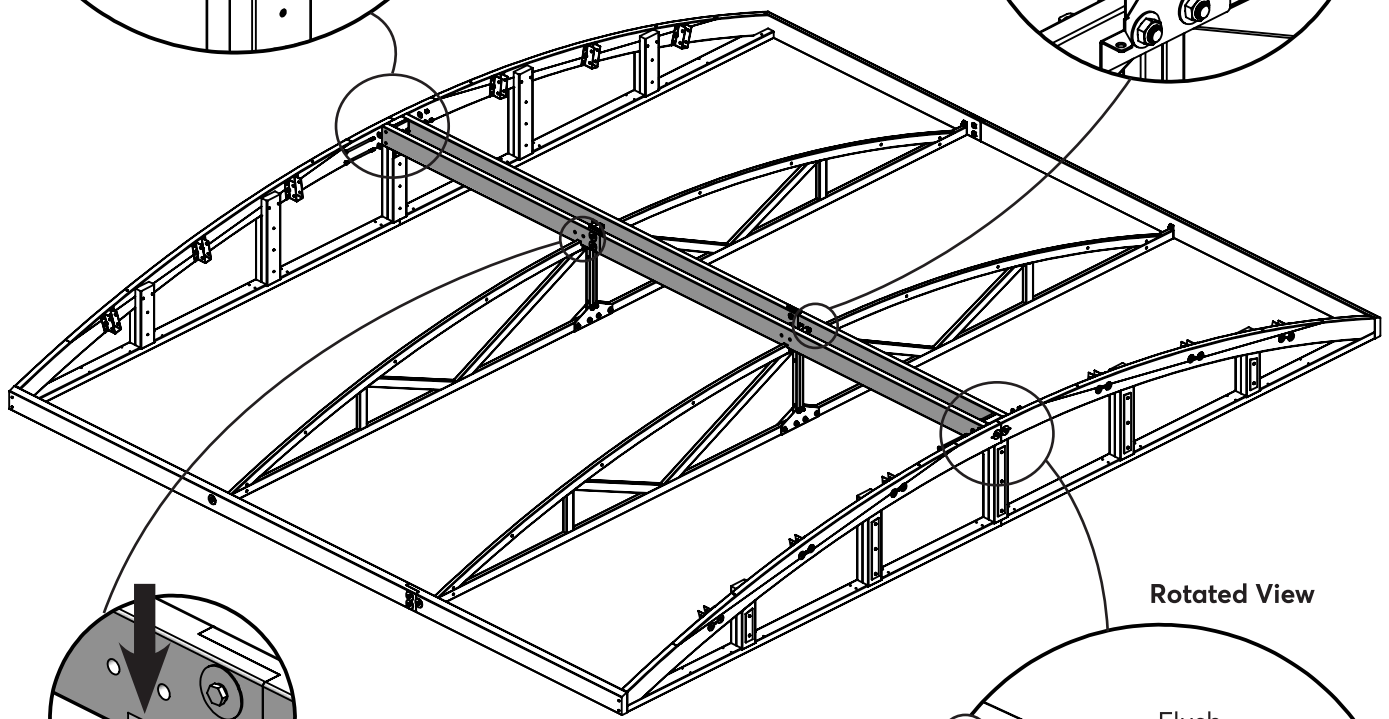
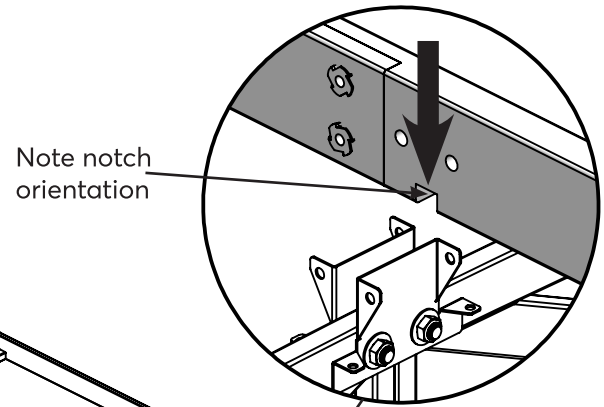
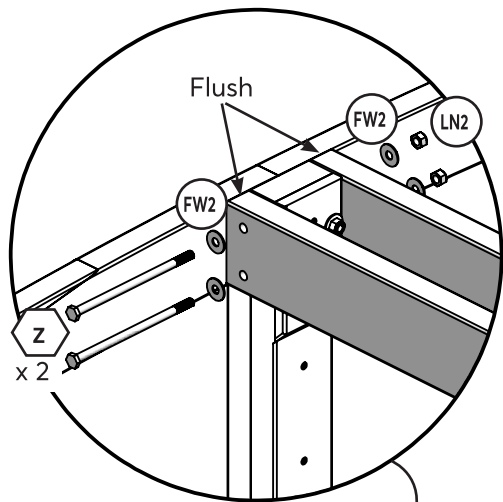
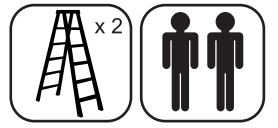


**Wood Parts**

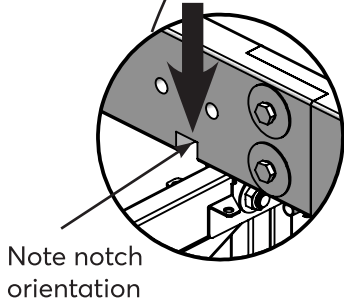
- 2 x 2497
- 2 x 2496

**Hardware**

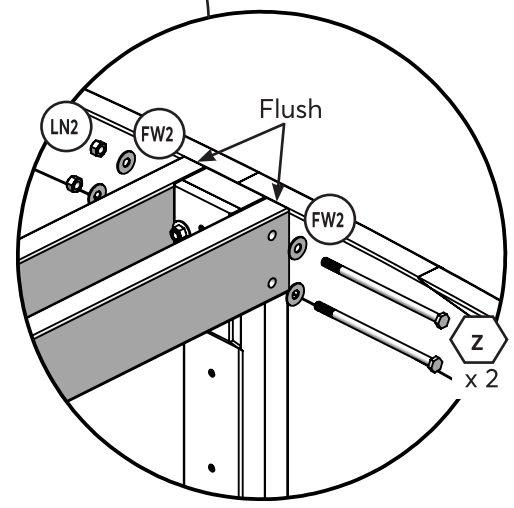
- 4 x G3 (LW2, FW12, TN2)



Rotated View

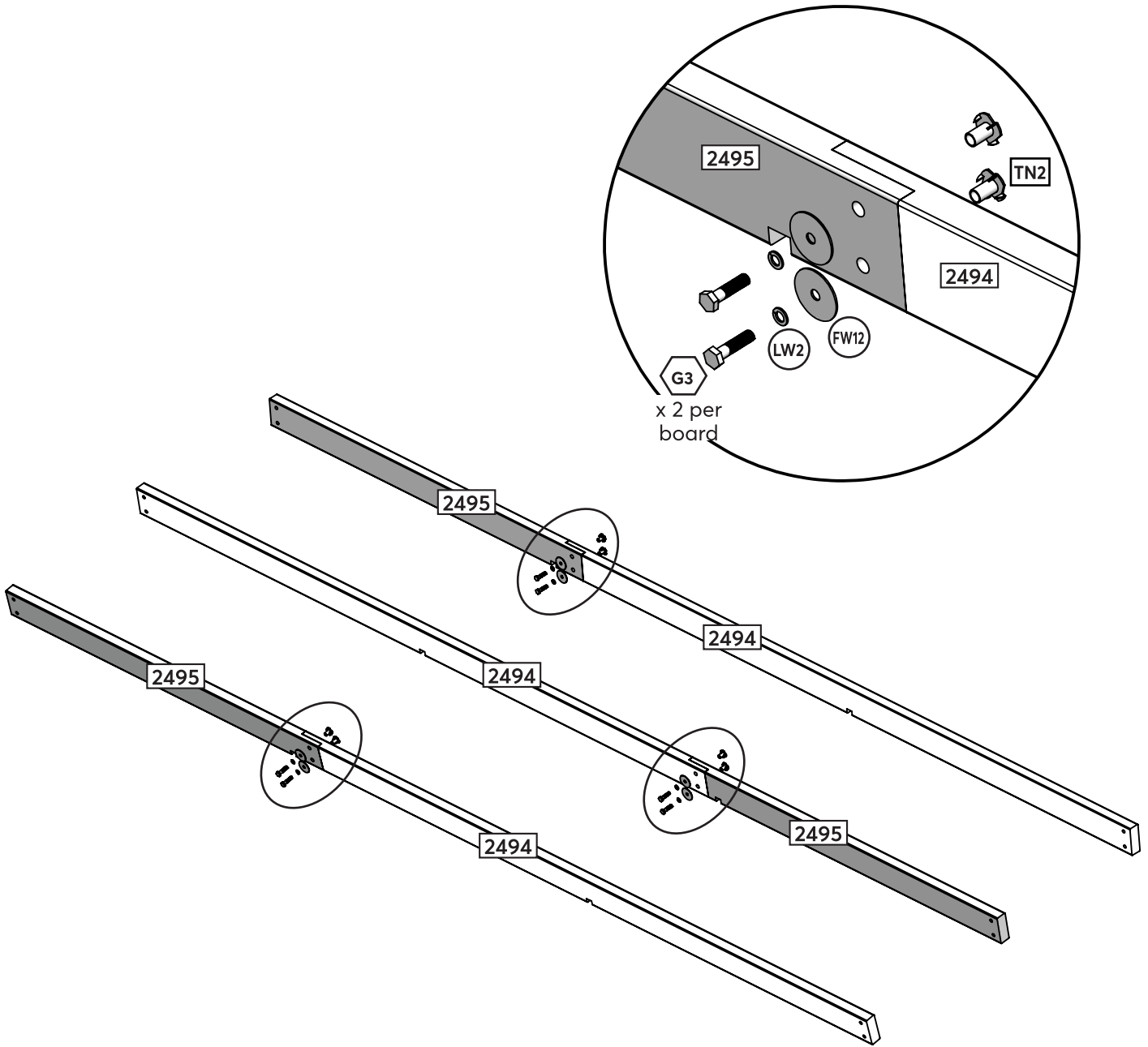


Frame Assembly removed for clarity



Hardware

4 x z (FW2 x 2, LN2)



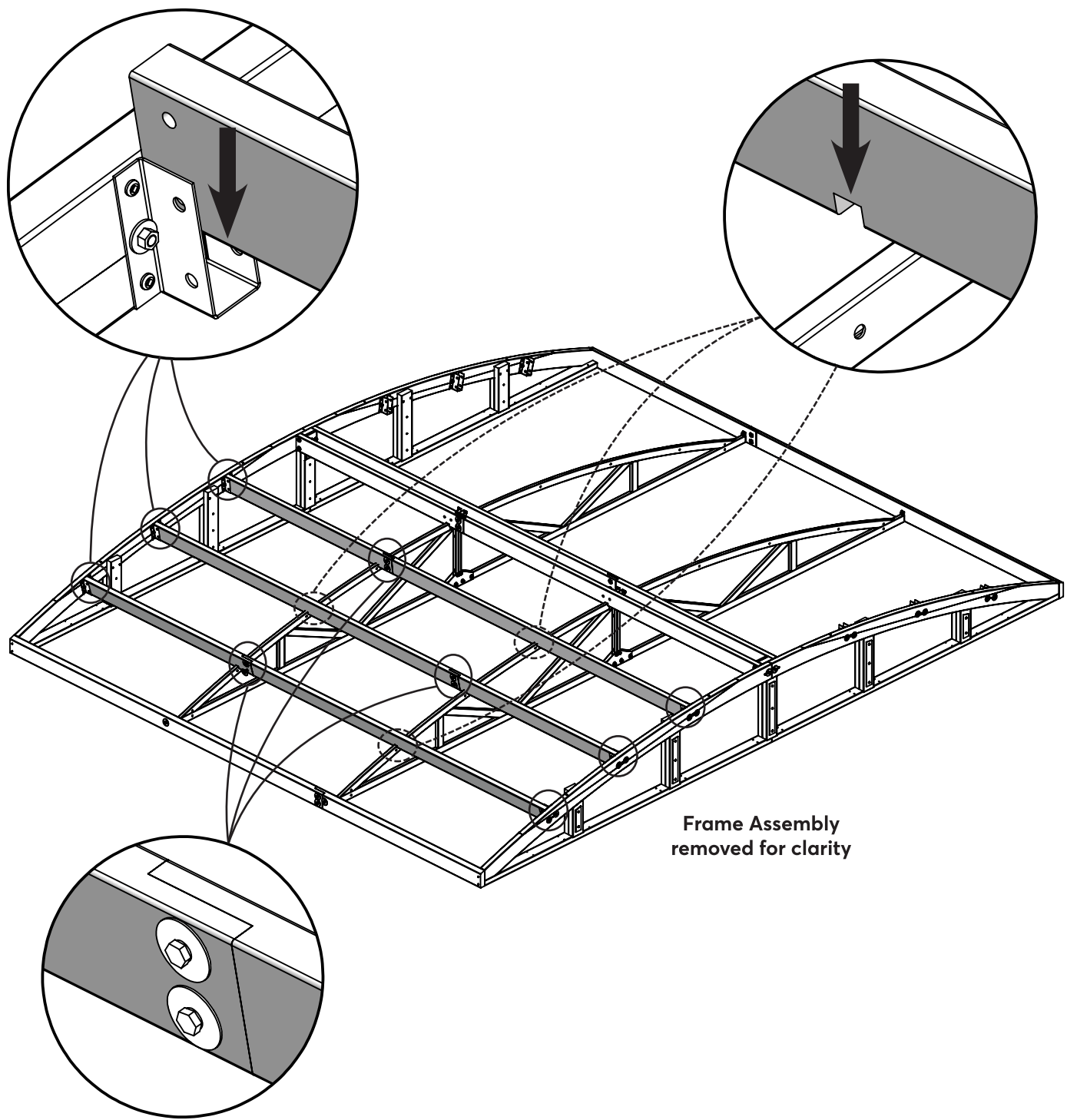
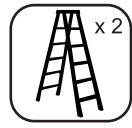
**Wood Parts**

3 x 2495

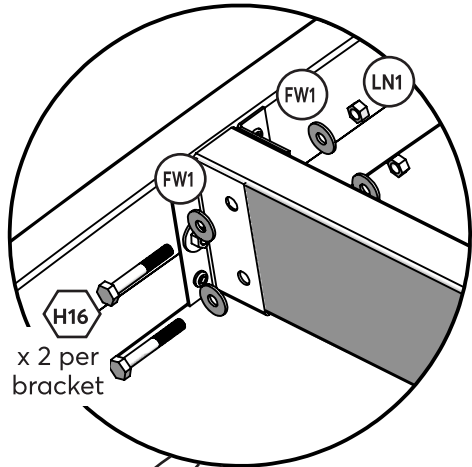
3 x 2494

**Hardware**

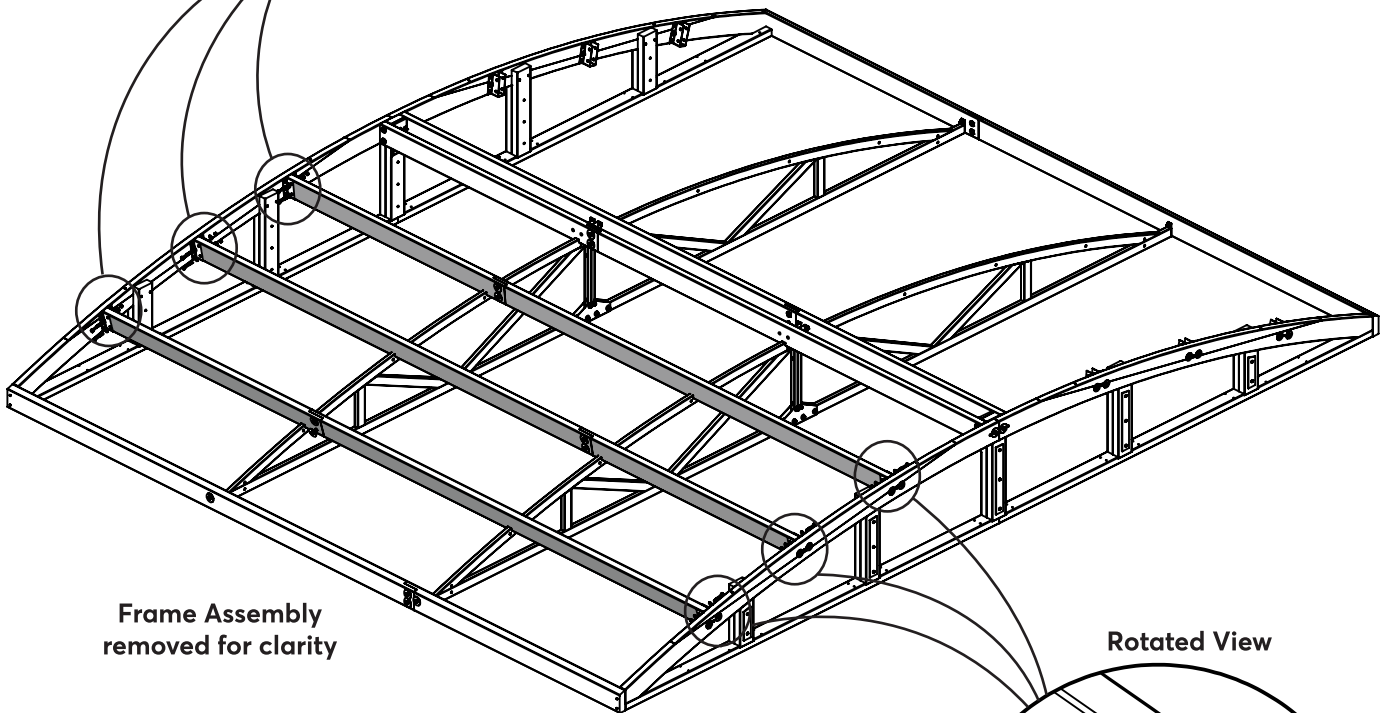
6 x G3 (LW2, FW12, TN2)



Frame Assembly  
removed for clarity

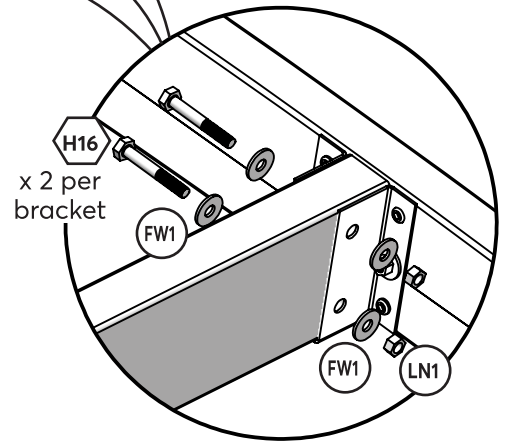


x 2 per  
bracket



Frame Assembly  
removed for clarity

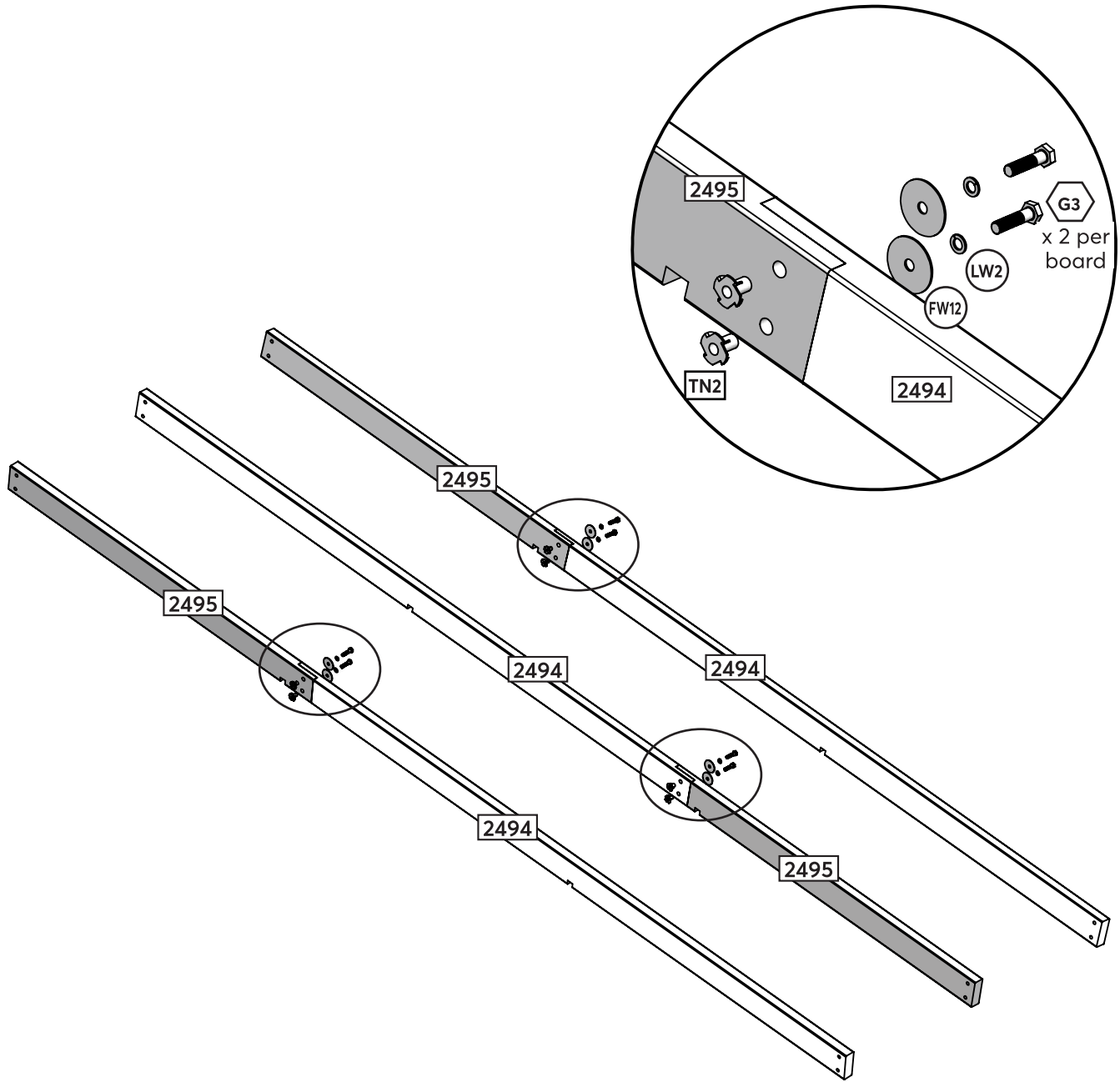
Rotated View



x 2 per  
bracket

**Hardware**

12 x  (FW1 x 2, LN1)

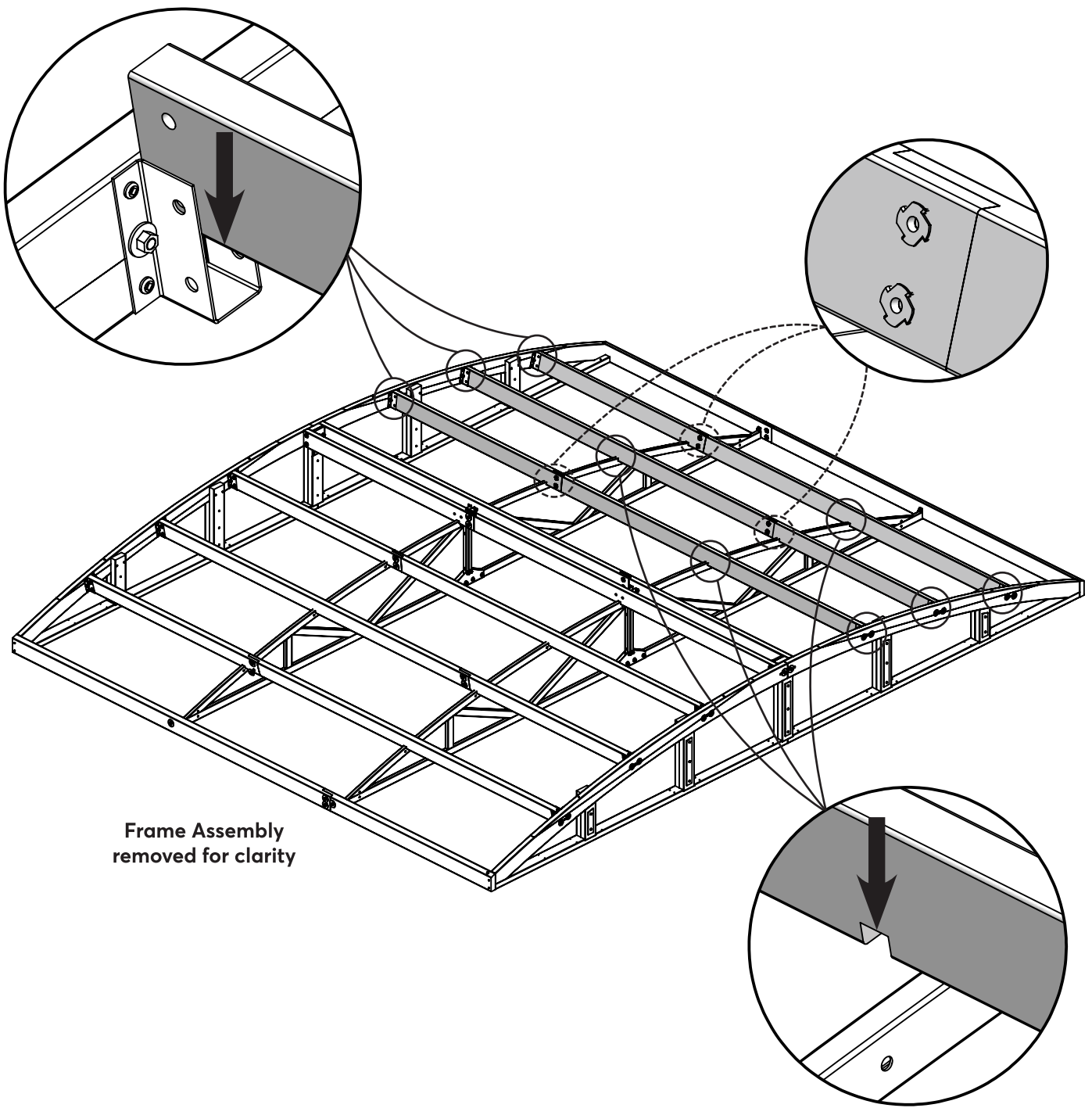


**Wood Parts**

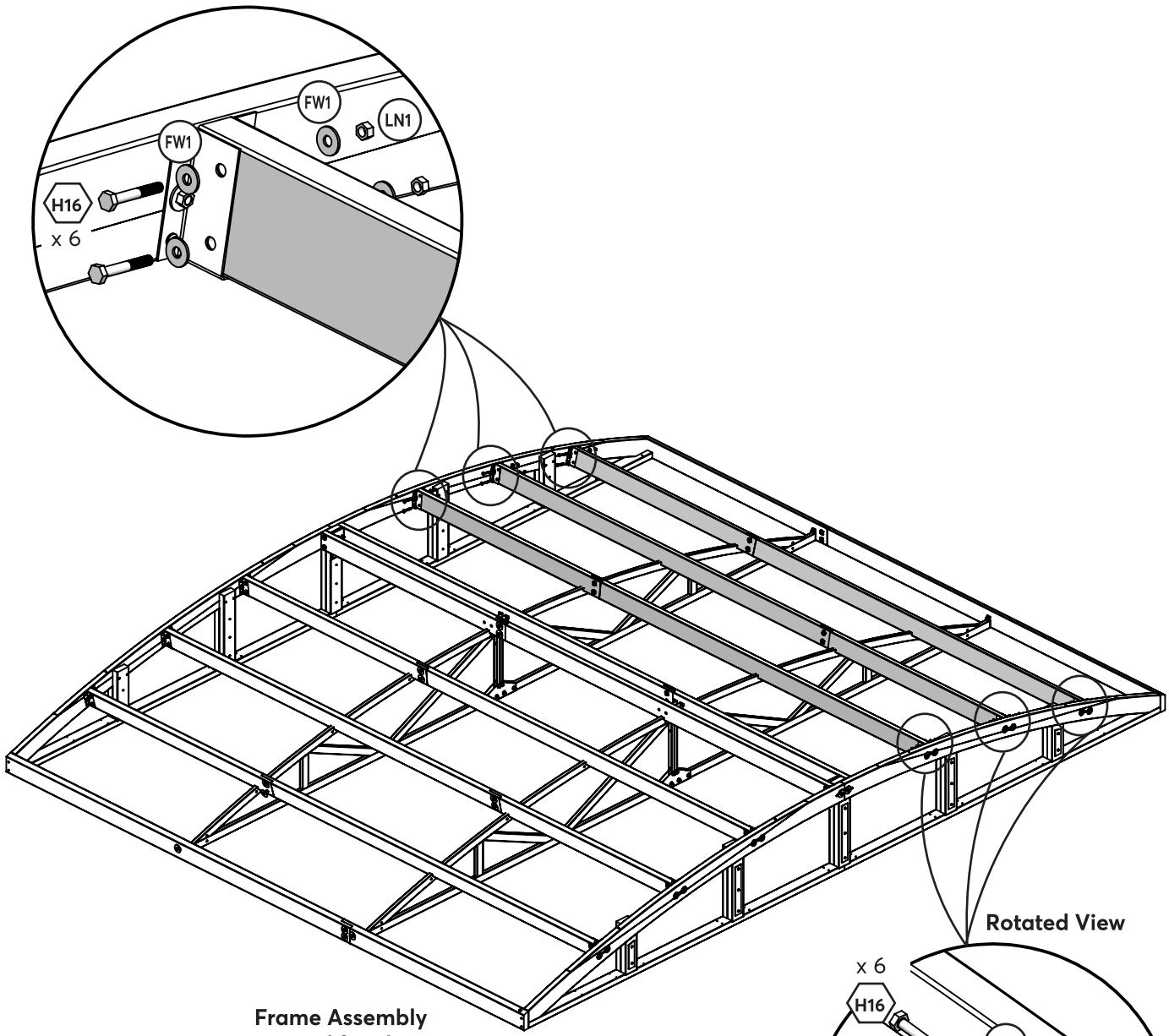
- 3 x 2495
- 3 x 2494

**Hardware**

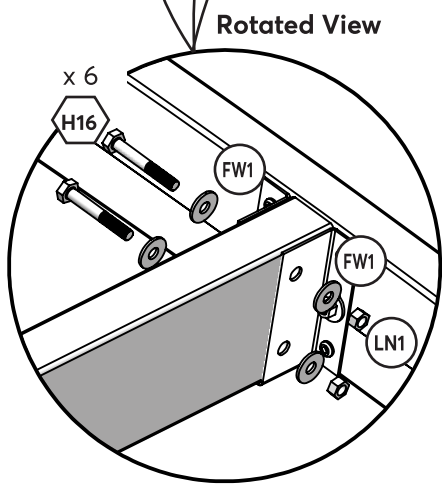
- 6 x G3 (LW2, FW12, TN2)




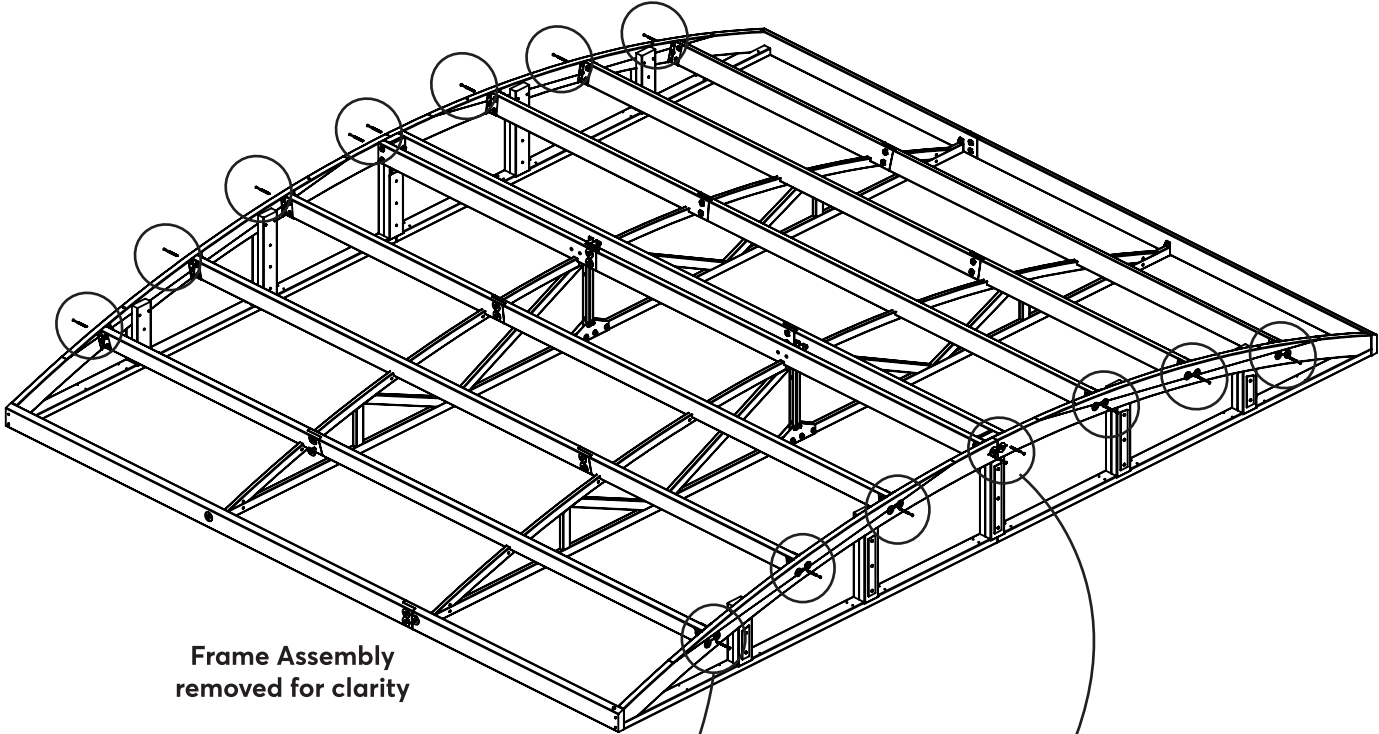
Frame Assembly removed for clarity



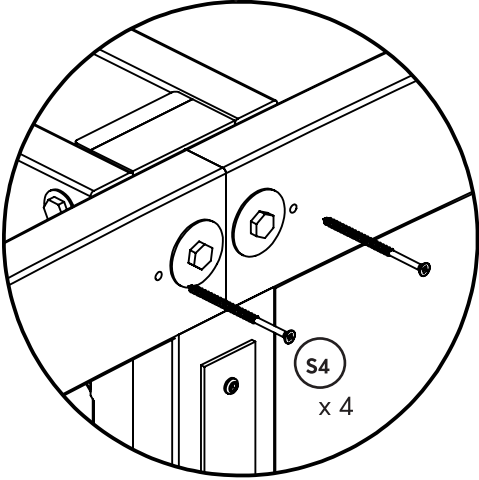
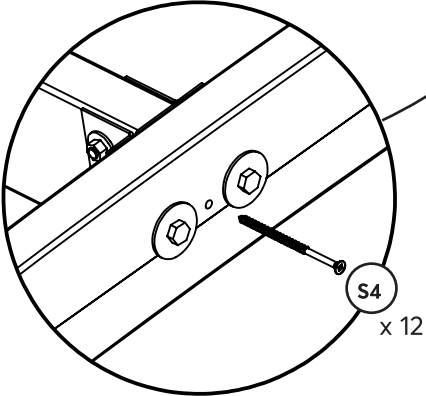
Frame Assembly removed for clarity



**Hardware**  
12 x  (FW1 x 2, LN1)

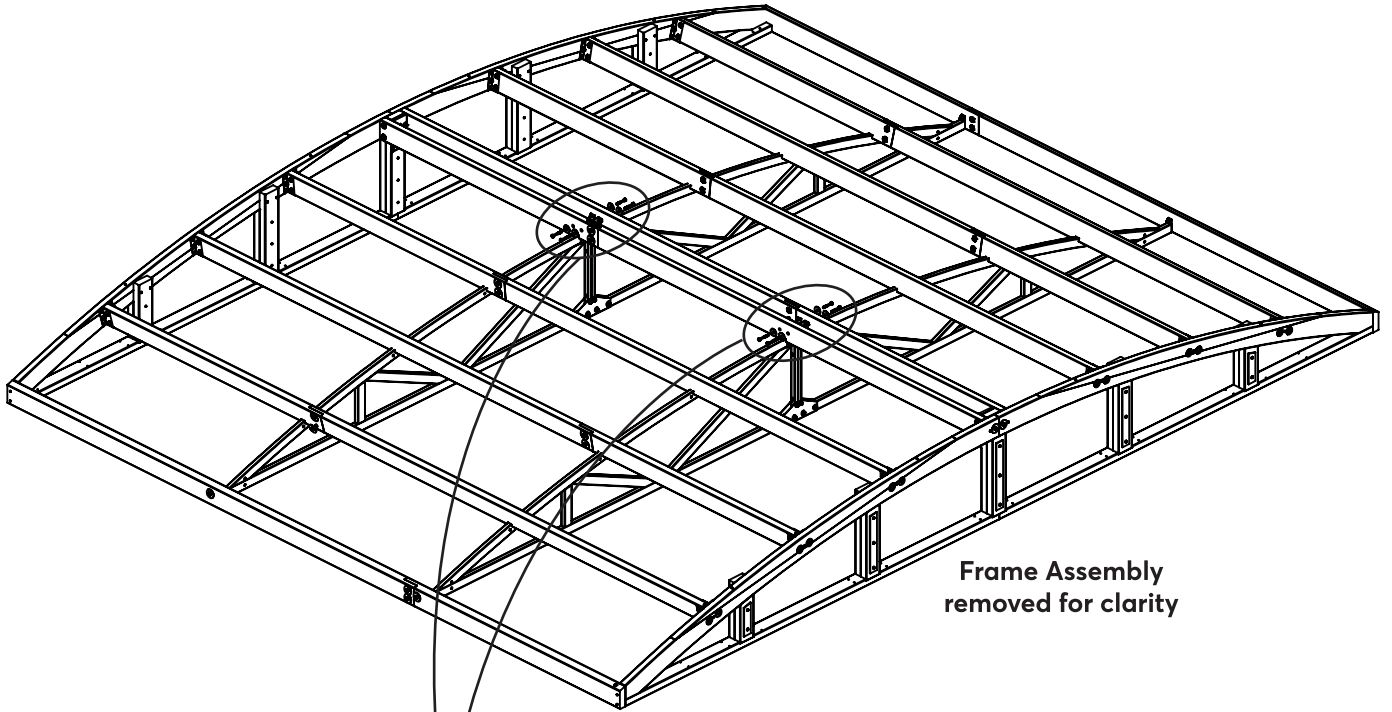


Frame Assembly removed for clarity

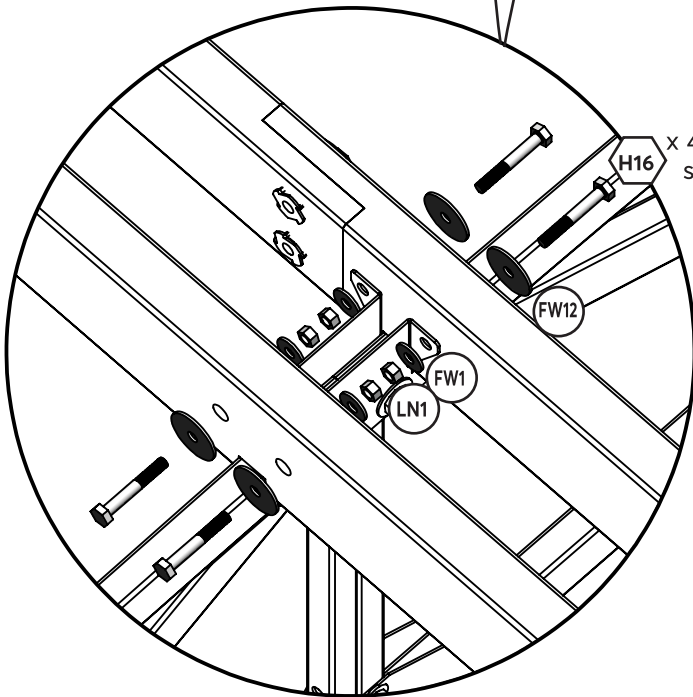


**Hardware**

16 x S4



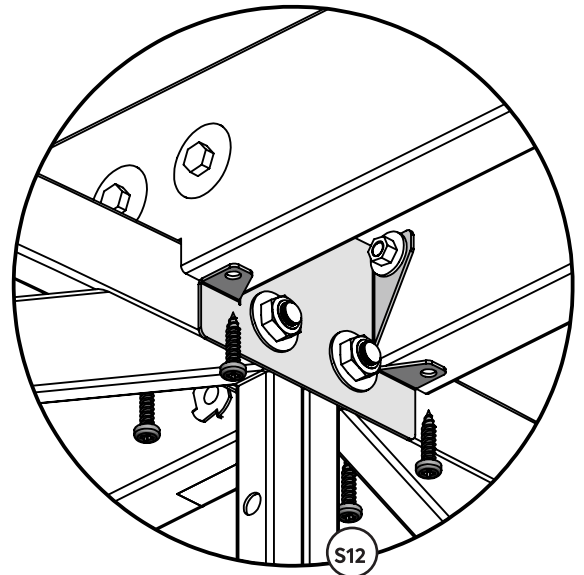
Frame Assembly removed for clarity



x 4 per side



Underneath View

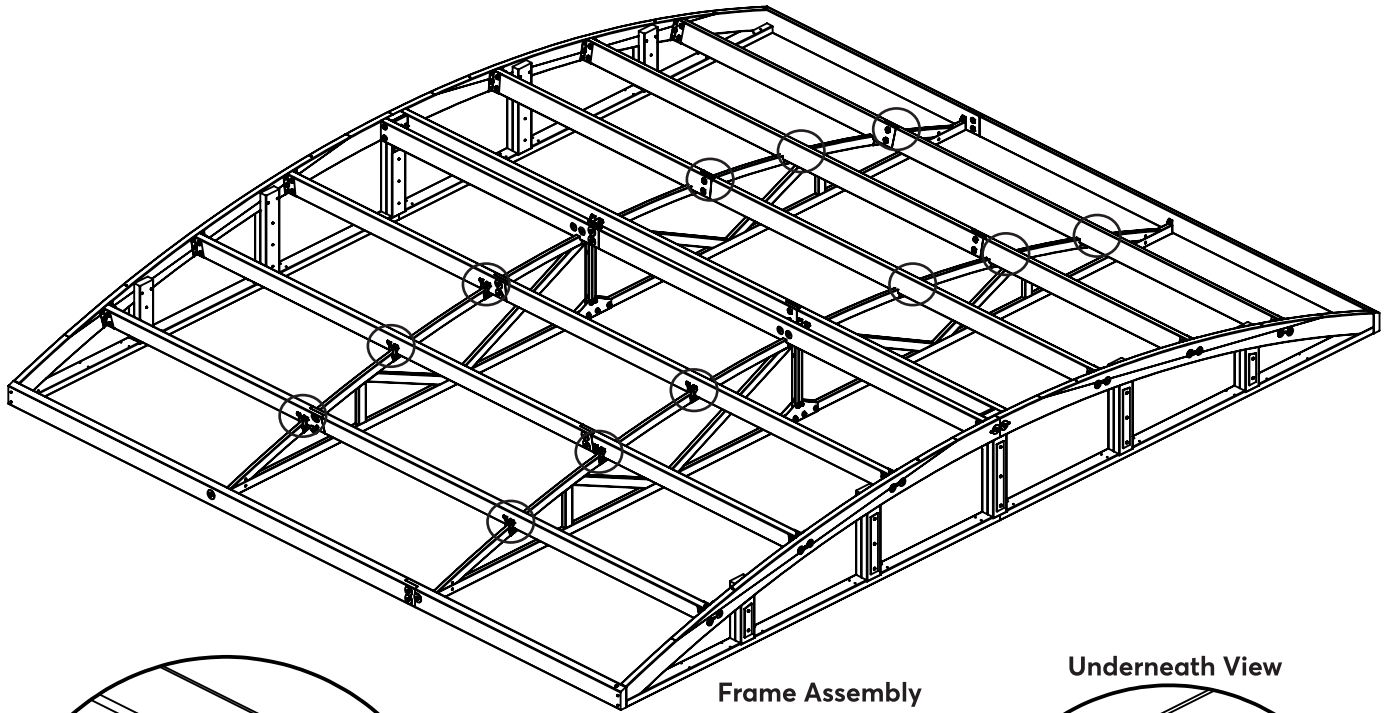


x 4 per side

**Hardware**

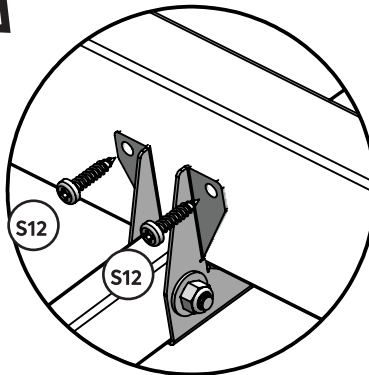
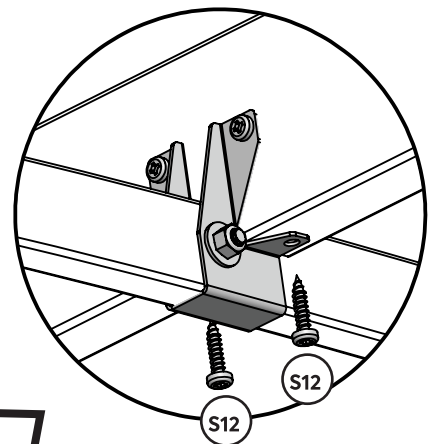
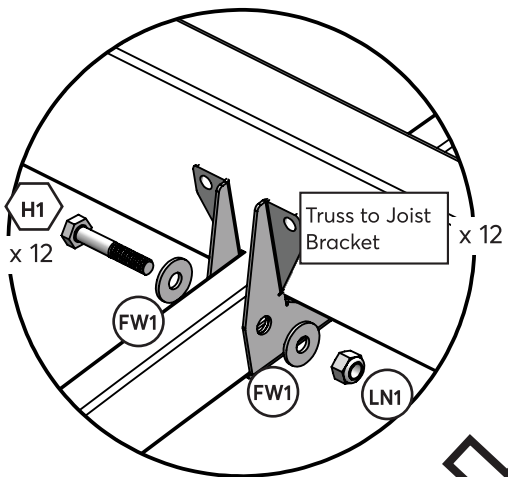
8 x  (FW1, FW12, LN1)



8 x 



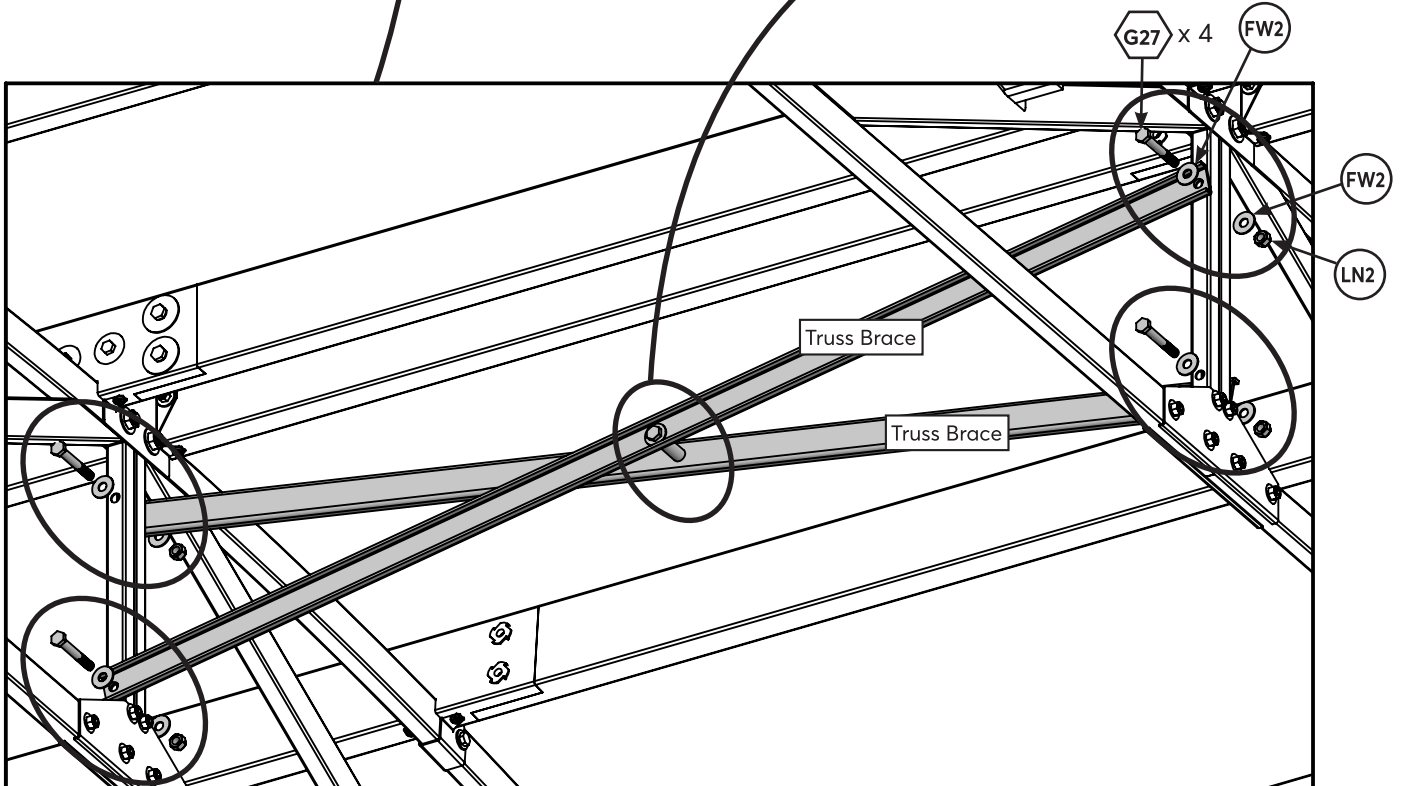
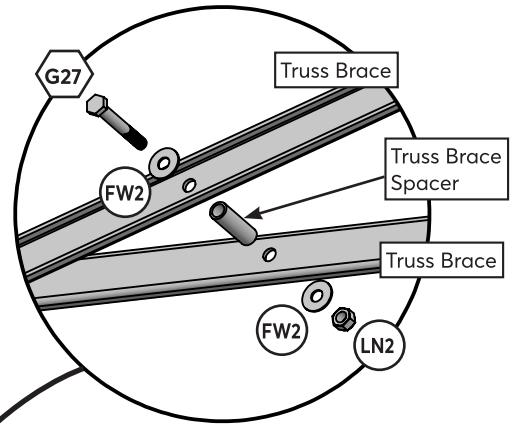
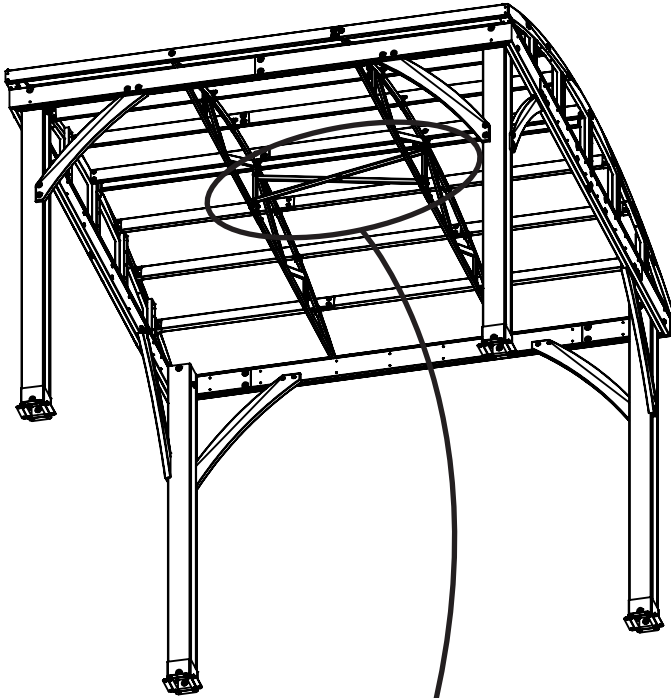
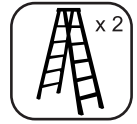
Frame Assembly removed for clarity


Underneath View



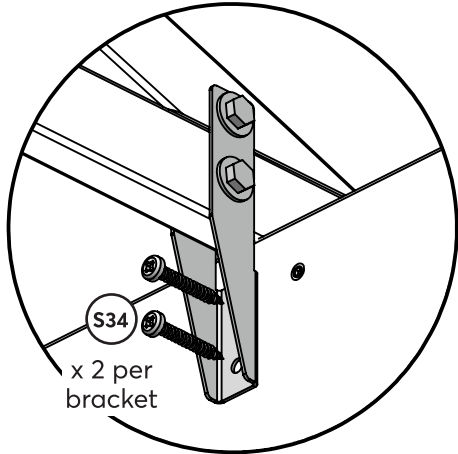
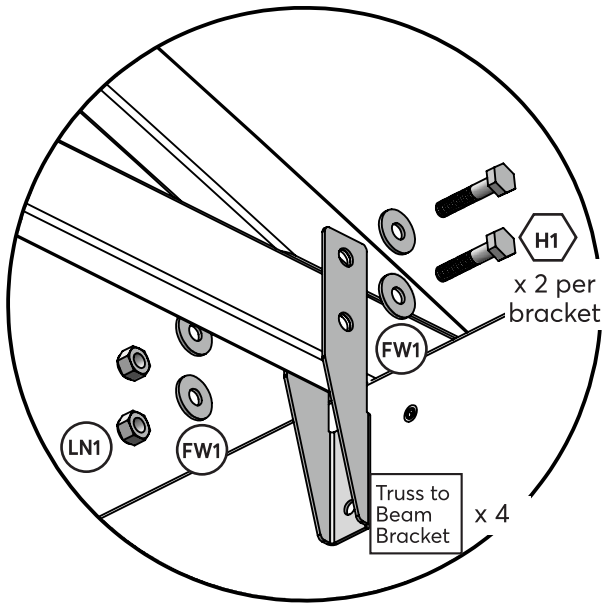
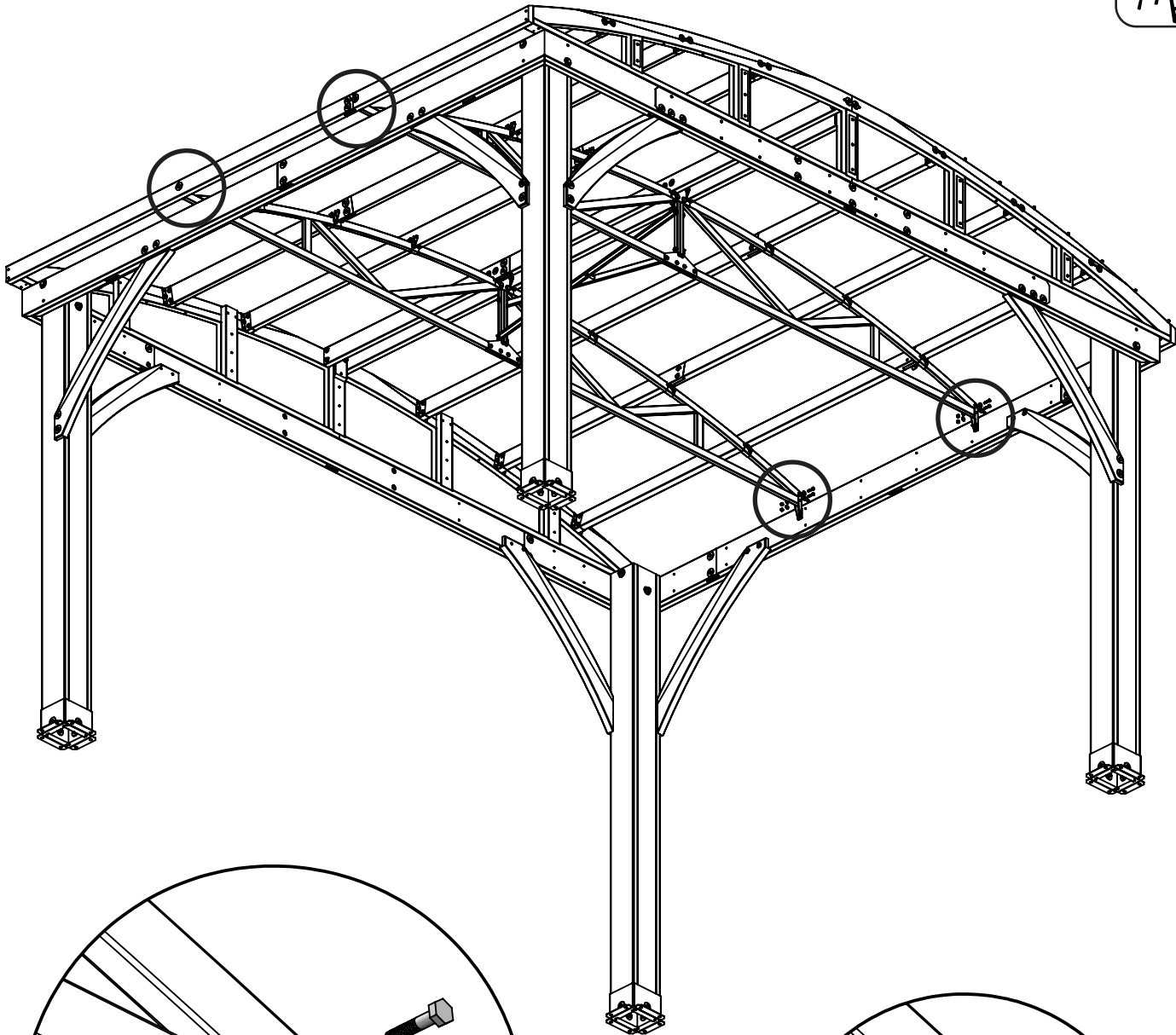
**Hardware**  
12 x  (FW1 x 2, LN1)  
48 x 

**Components**  
12 x Truss to Joist Bracket



**Hardware**  
5 x  (FW2 x 2, LN2)

**Components**  
1 x Truss Brace Spacer  
2 x Truss Brace



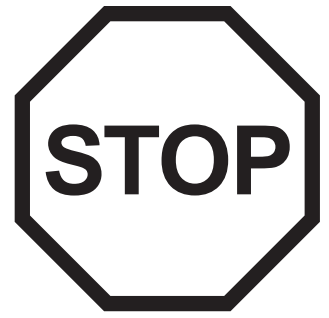
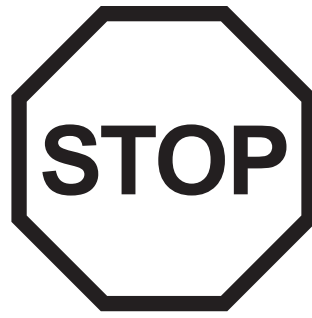
**Hardware**

8 x H1 (FW1 x 2, LN1)

8 x S34

**Components**

4 x Truss to Beam Bracket



# INSTALLING ROOFING MATERIAL

---

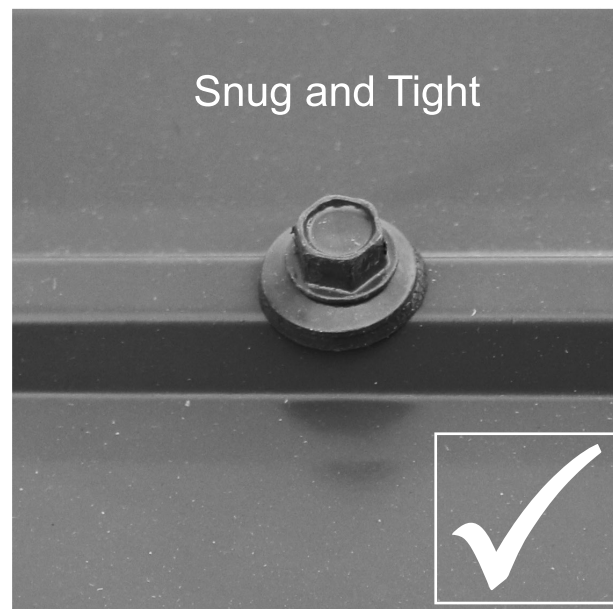
## CAUTION!

Roofing material may have sharp edges! Wear gloves!

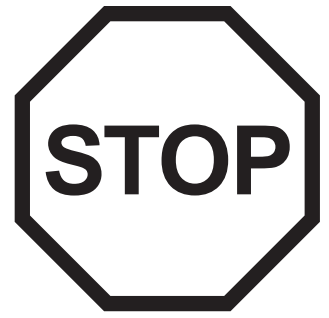
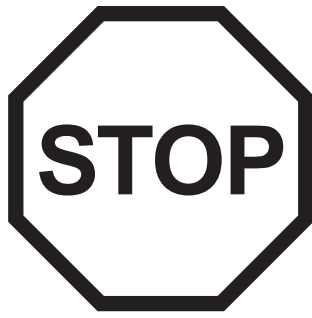
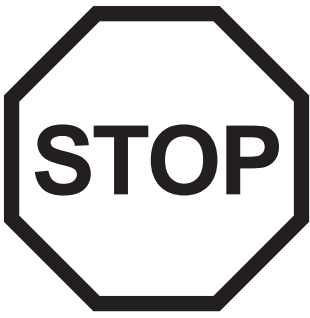
## HANDLE WITH CARE!

Place roofing material on a non-abrasive surface before assembly as it can bend, dent and scratch easily.

**WARNING – DO NOT OVER TIGHTEN ROOFING SCREWS!  
Over tightening screws will cause roofing material to crush.**



The roofing screws can easily crush the Roof Panels and Roof Edges when using a power drill. We recommend hand tightening the roofing screws so that they sit snug and tight to the roofing material.



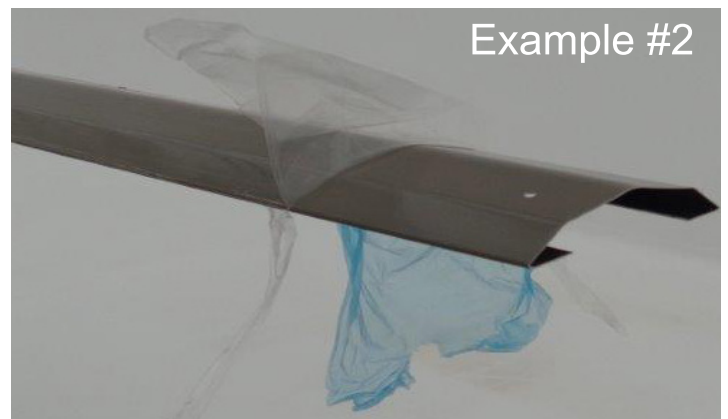
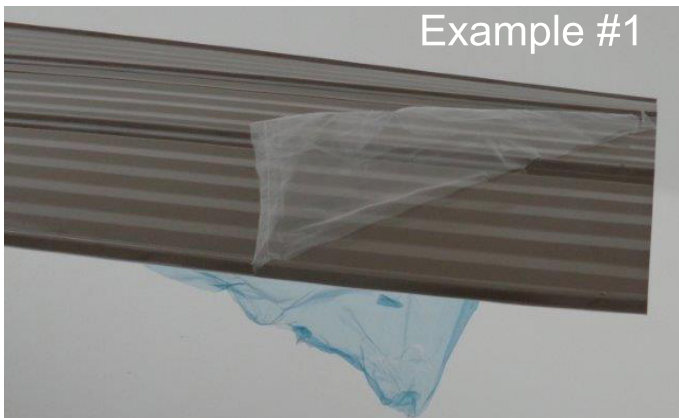
# INSTALLING ROOFING MATERIAL

---

## CAUTION!

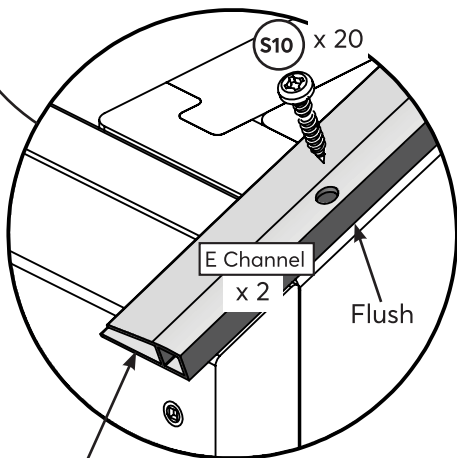
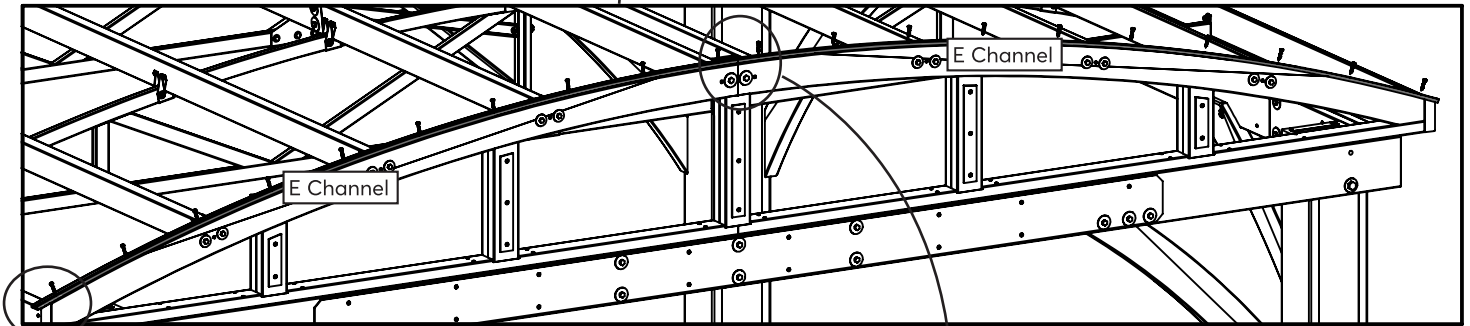
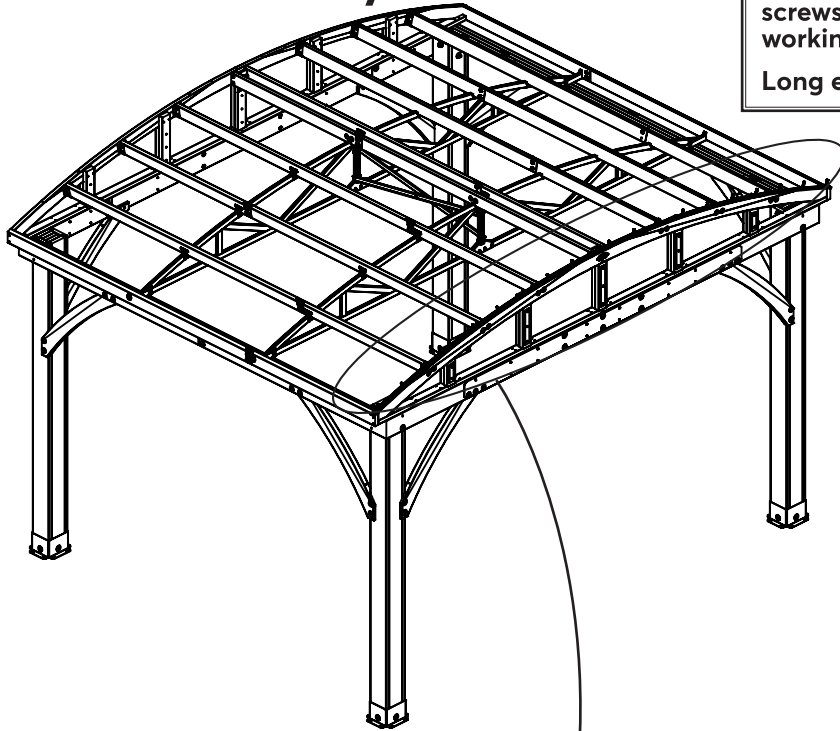
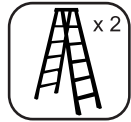
Roofing material may have sharp edges! Wear gloves!

**BE SURE TO REMOVE ALL PLASTIC COVERING, ON BOTH SIDES OF THE ALUMINUM PANELS AND TRIM, DIRECTLY BEFORE INSTALLING EACH PIECE. *(One side is clear and the other is blue, both must be removed.)***

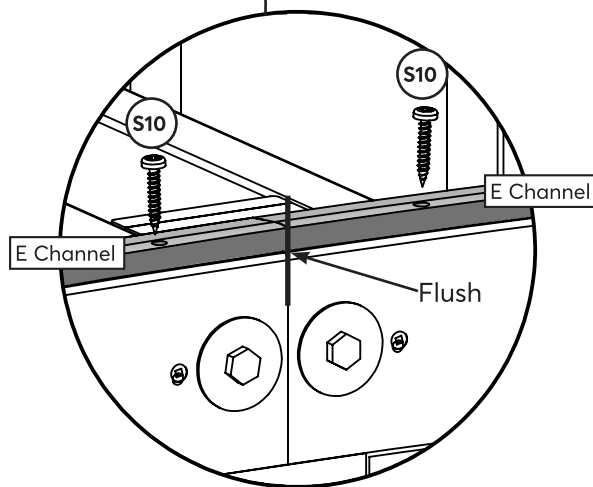


# 44 Roof Assembly

Bend E Channel and attach screws from the center and working out towards each end. Long edge to bottom.



Long edge to bottom



### Hardware

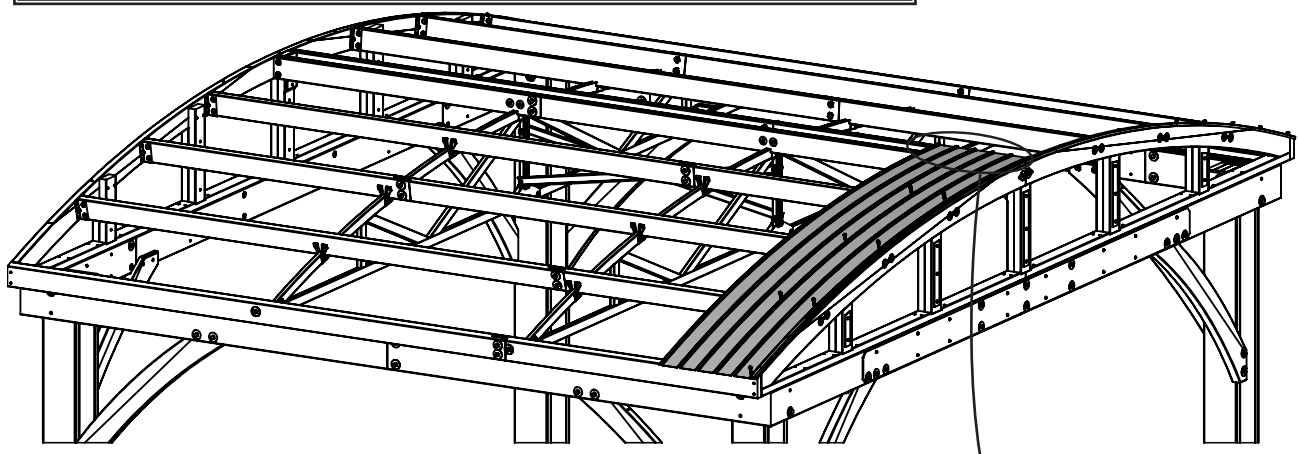
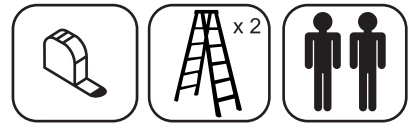
20 x (S10)

### Components

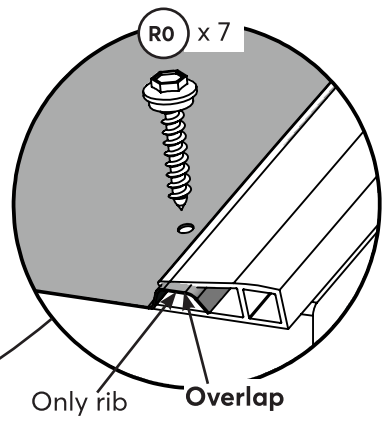
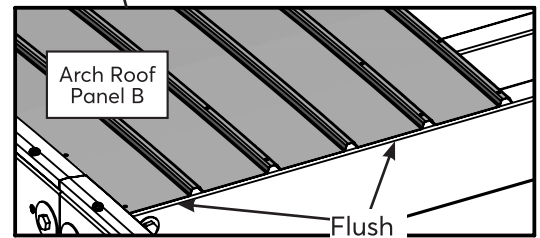
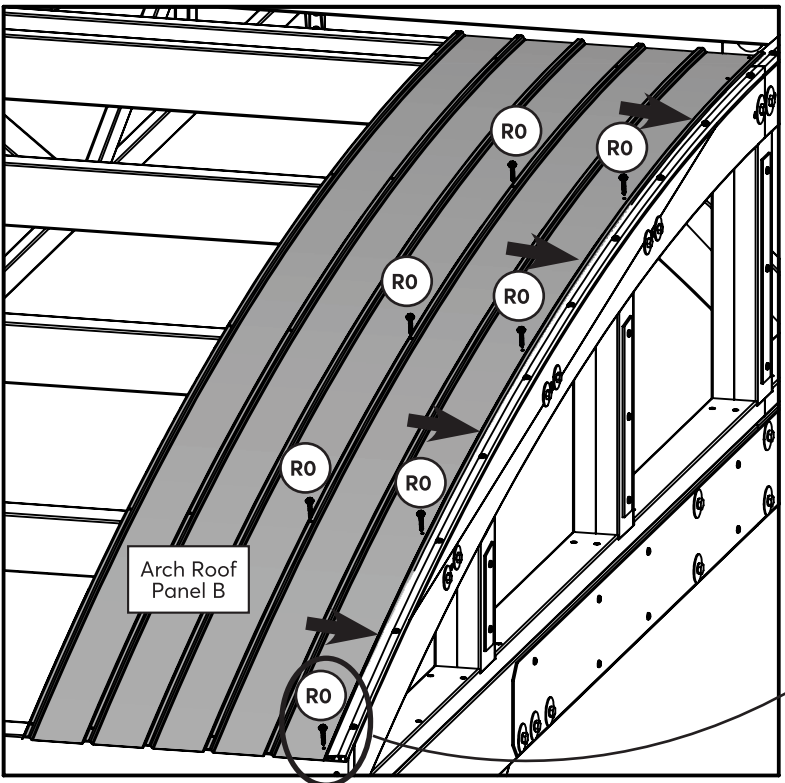
2 x E Channel

45

Bend roof and attach screws from top to bottom.  
**DO NOT** overtighten screws, could cause damage to roofing material.  
 Only install screws in the locations shown.



Rotated View

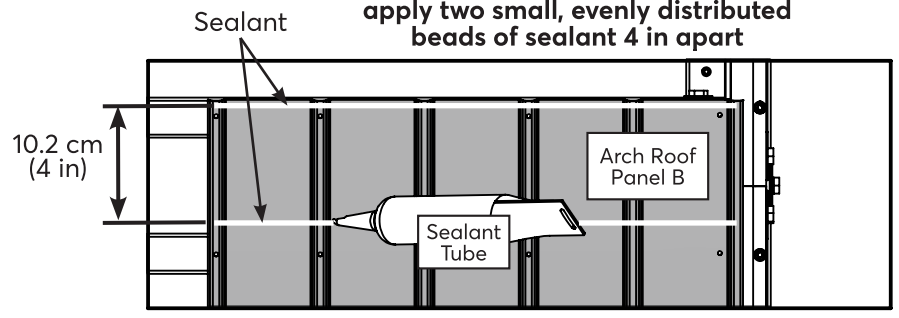


Across the top of Arch Roof Panel B apply two small, evenly distributed beads of sealant 4 in apart

**Note:** All surfaces to be clean, dry, dust and grease free before application with temperatures above 5°C (41°F), no warmer than 35°C (95°F).

- Apply sealant in small beads and smooth as required.
- Clean excess with a cloth or paper towel before it skins over.
- Always wear safety glasses and rubber gloves when using product.

See page 6 for Warning and First Aid Information.



**Hardware**

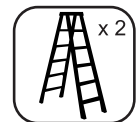
7 x RO

**Components**

1 x Arch Roof Panel B  
 1 x Sealant Tube

46

Bend roof and attach screws from top to bottom.  
DO NOT overtighten screws, could cause damage to roofing material.  
Only install screws in the locations shown.

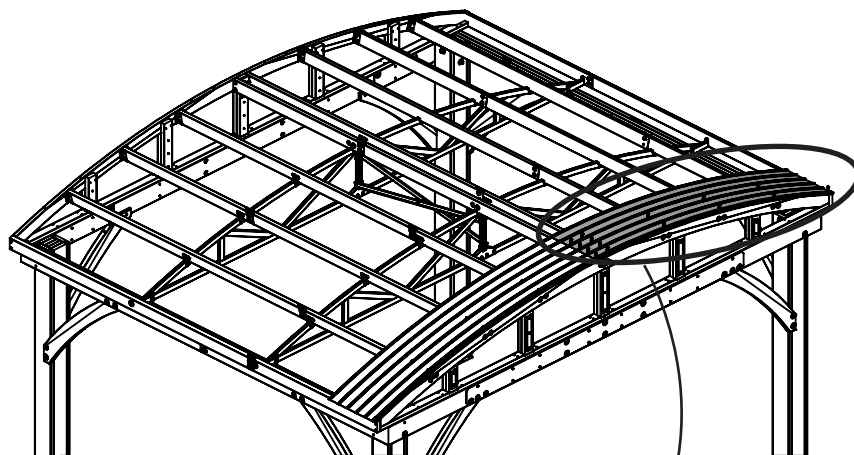


**Note:** All surfaces to be clean, dry, dust and grease free before application with temperatures above 5°C (41°F), no warmer than 35°C (95°F).

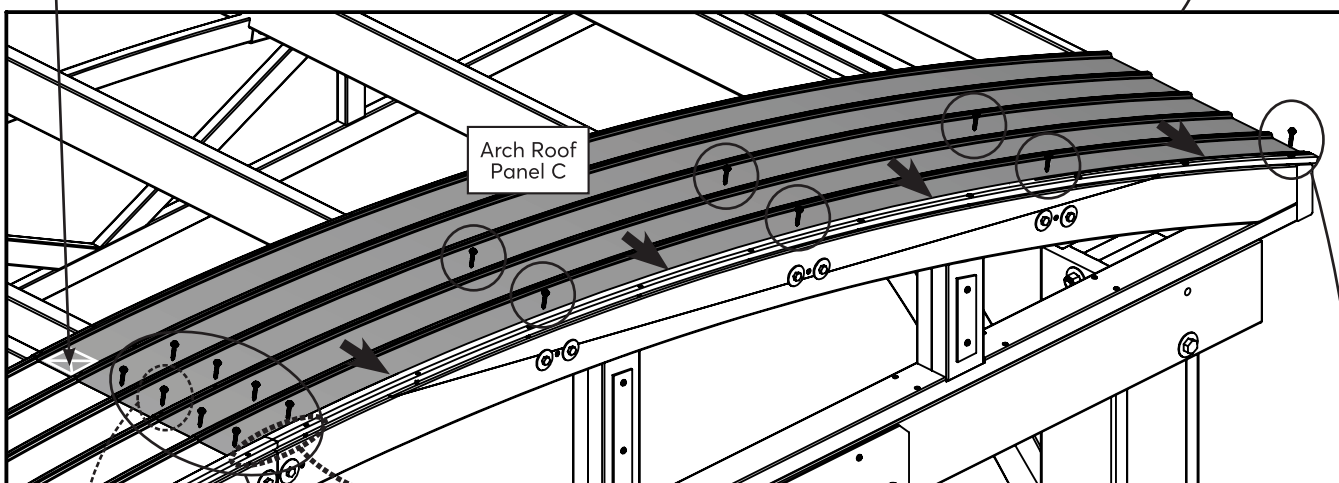
- Apply sealant in small beads and smooth as required.
- Clean excess with a cloth or paper towel before it skins over.
- Always wear safety glasses and rubber gloves when using product.

See page 6 for Warning and First Aid Information.

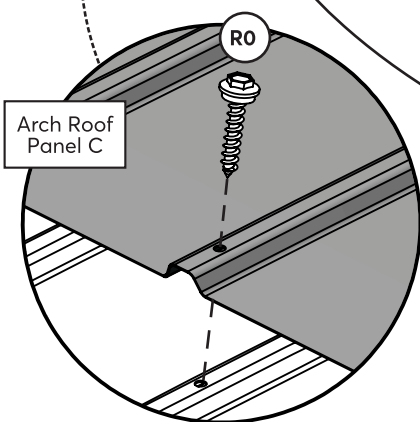
**Note:** Apply bead of sealant on the roofing panels overlap



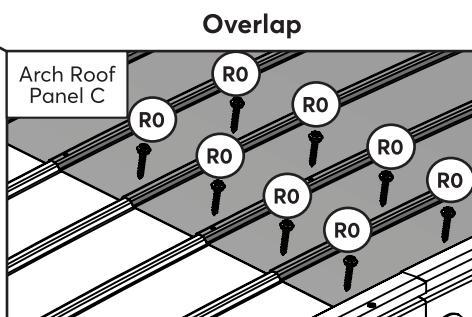
Sealant



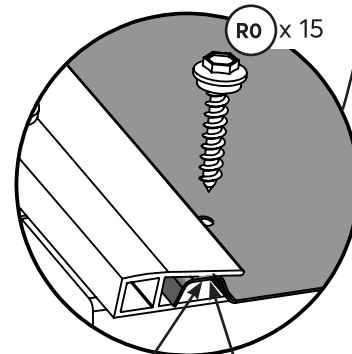
**Note:** Loosen the top screw in E channel to help slide up Arch Roof Panel C



Align holes



Rotated View



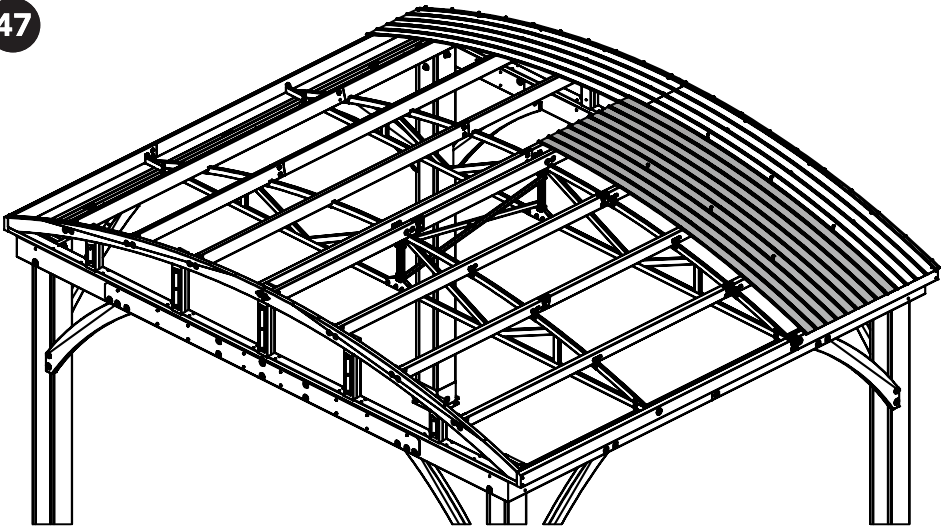
Only rib Overlap

**Hardware**

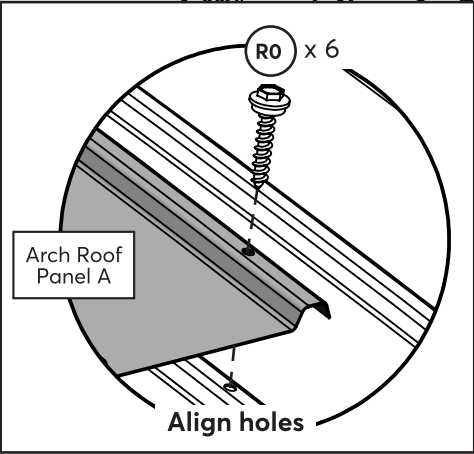
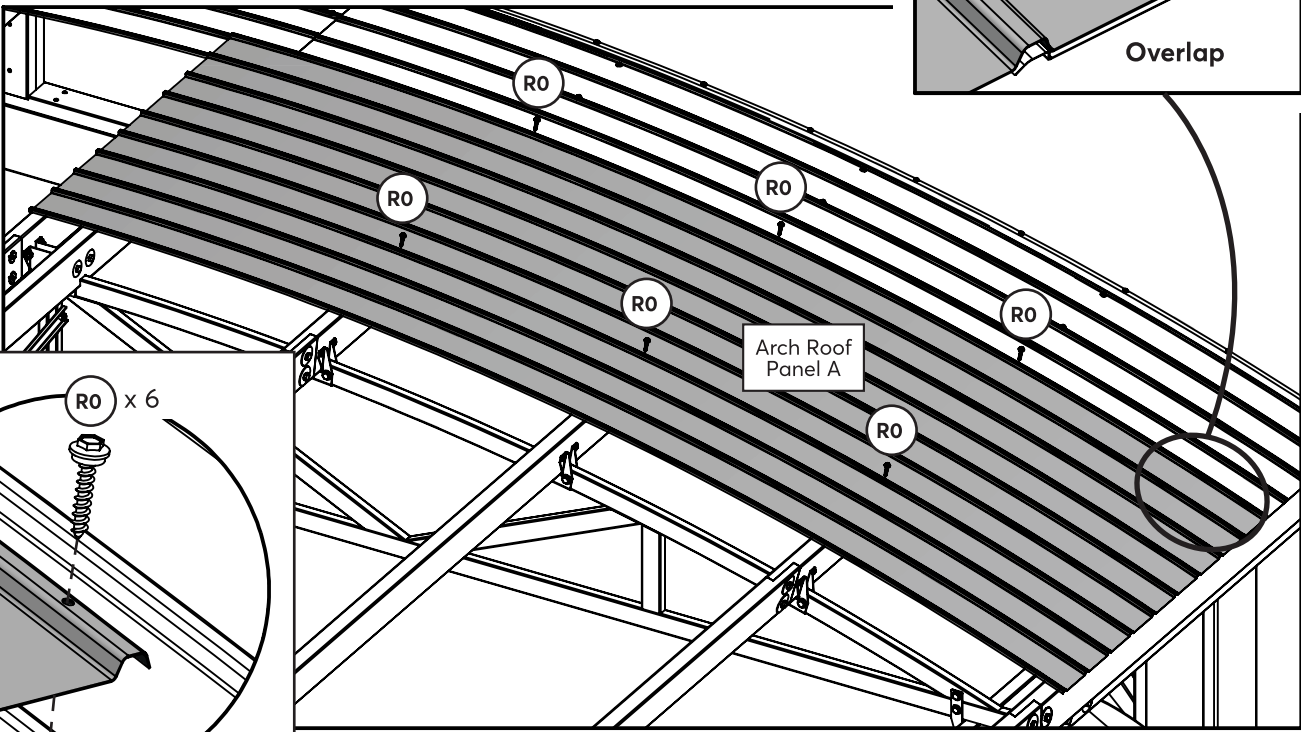
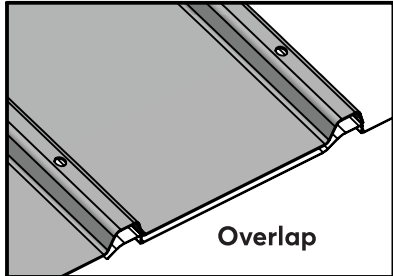
15 x RO

**Components**

1 x Arch Roof Panel C



Bend roof and attach screws from top to bottom.  
**DO NOT** overtighten screws, could cause damage to roofing material.  
 Only install screws in the locations shown.

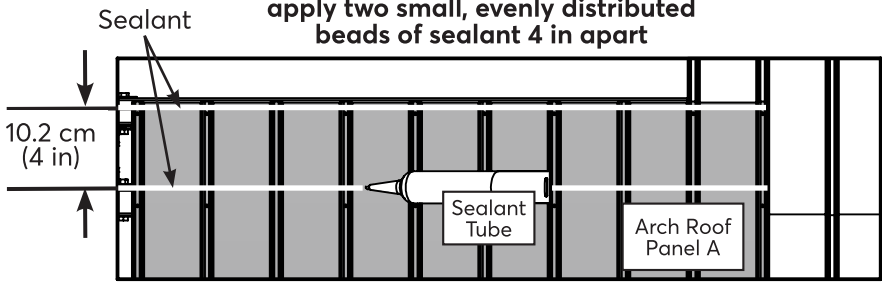


**Note:** All surfaces to be clean, dry, dust and grease free before application with temperatures above 5°C (41°F), no warmer than 35°C (95°F).

- Apply sealant in small beads and smooth as required.
- Clean excess with a cloth or paper towel before it skins over.
- Always wear safety glasses and rubber gloves when using product.

See page 6 for Warning and First Aid Information.

Across the top of Arch Roof Panel A apply two small, evenly distributed beads of sealant 4 in apart



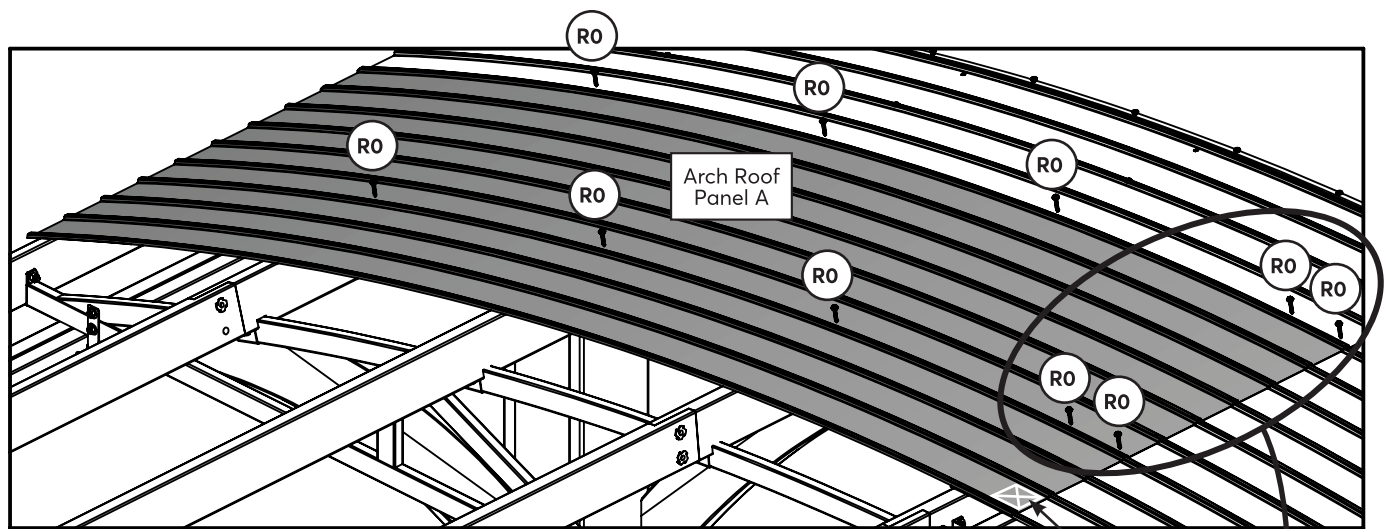
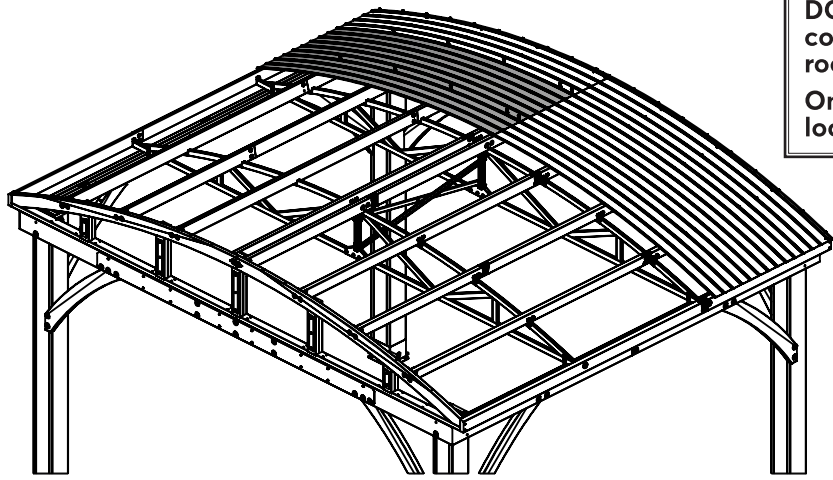
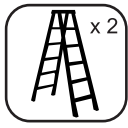
**Hardware**

6 x RO

**Components**

1 x Arch Roof Panel A

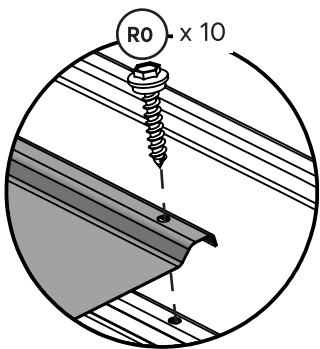
**Bend roof and attach screws from top to bottom.**  
**DO NOT** overtighten screws, could cause damage to roofing material.  
**Only** install screws in the locations shown.



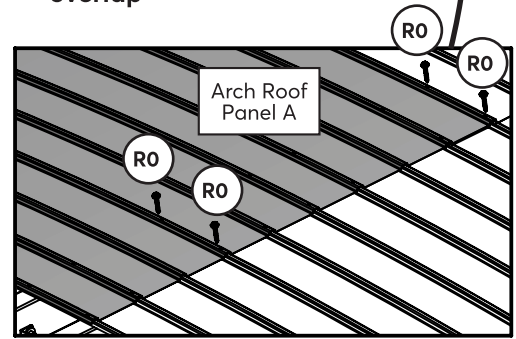
**Note:** All surfaces to be clean, dry, dust and grease free before application with temperatures above 5°C (41°F), no warmer than 35°C (95°F).

- Apply sealant in small beads and smooth as required.
- Clean excess with a cloth or paper towel before it skins over.
- Always wear safety glasses and rubber gloves when using product.

**Note:** Apply bead of sealant on the roofing panels overlap



Align holes



Overlap

See page 6 for Warning and First Aid Information.

**Hardware**

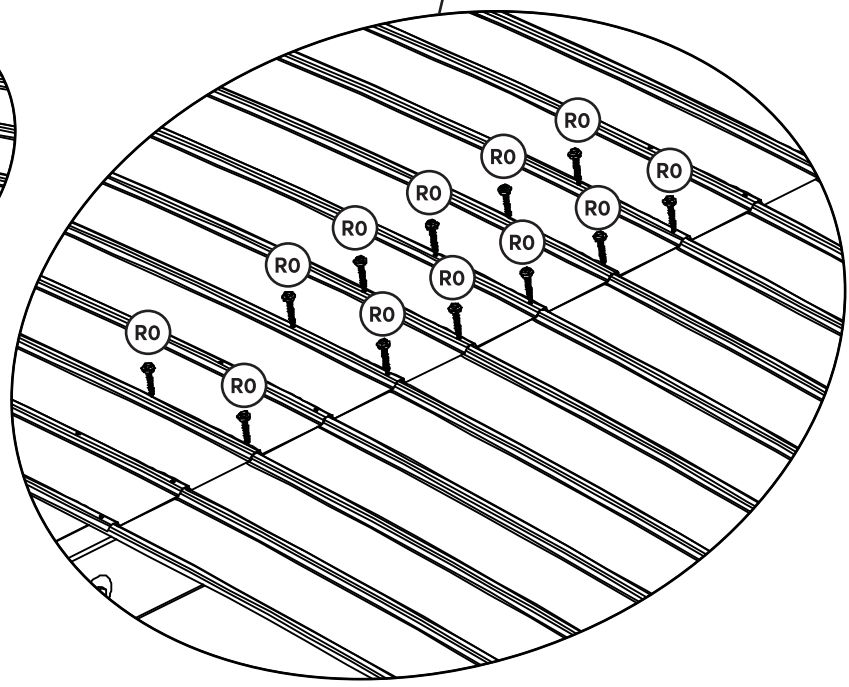
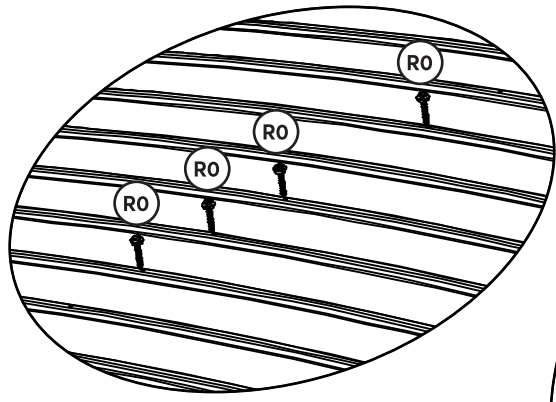
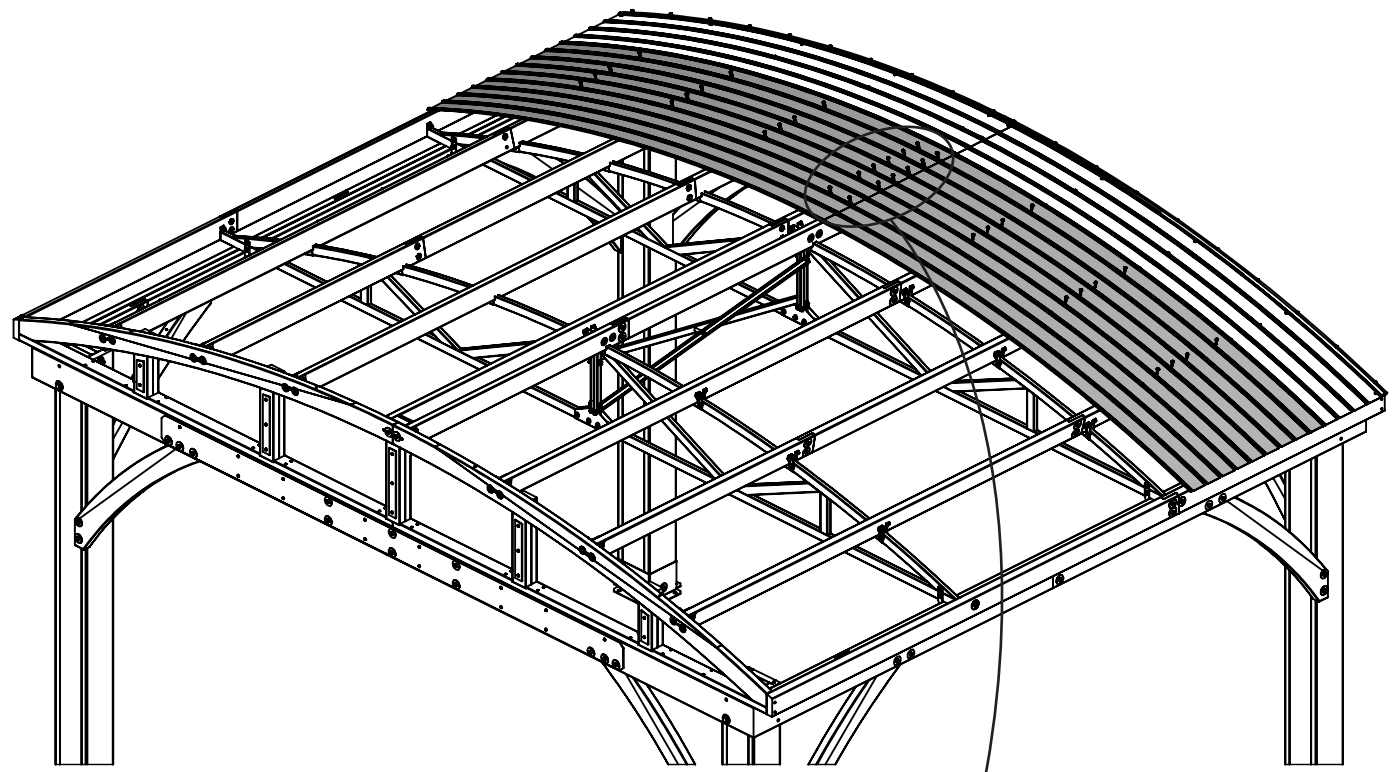
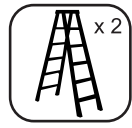
10 x RO

**Components**

1 x Arch Roof Panel A

49

DO NOT overtighten screws, could cause damage to roofing material.  
Only install screws in the locations shown.

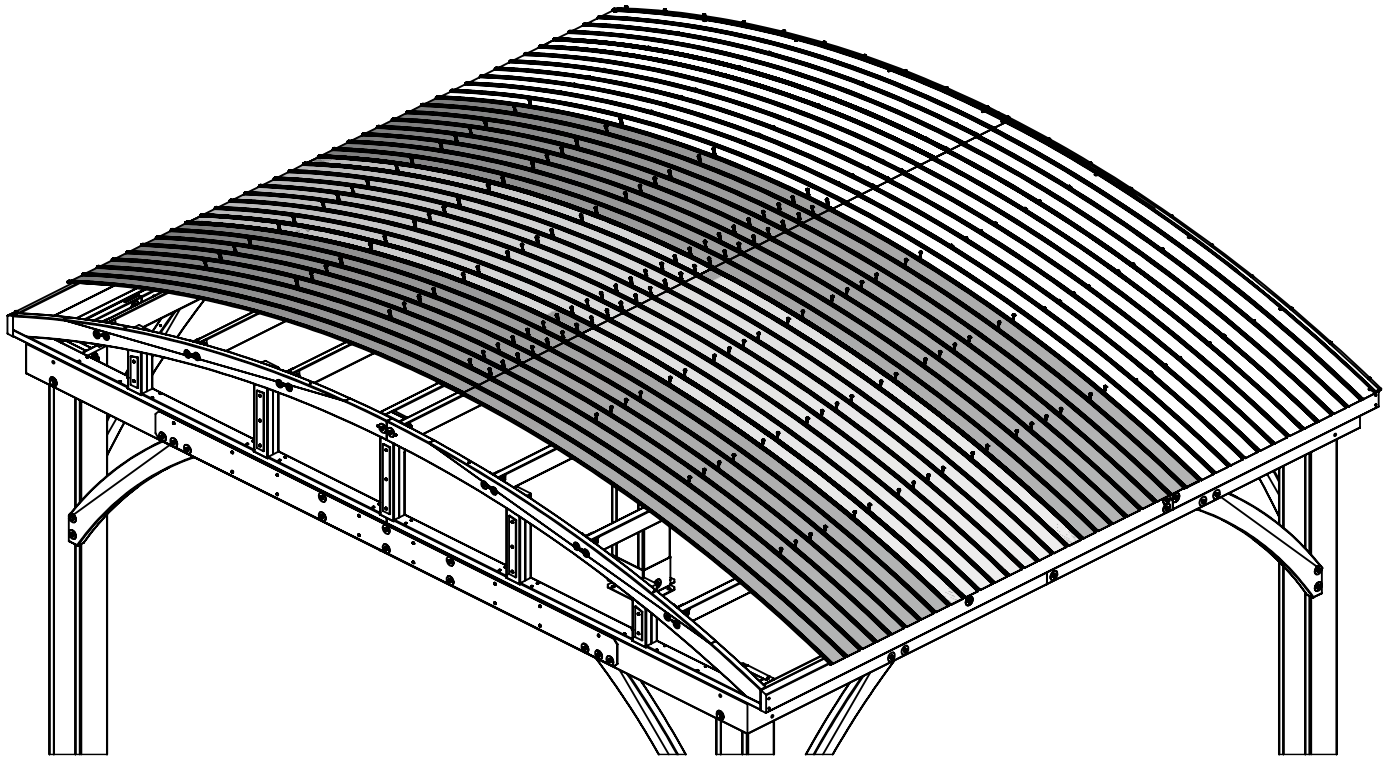
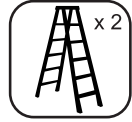


**Hardware**


36 x 

50

Repeat steps 47 to 49 for 6 roof panels.  
Bend roof and attach screws from top to bottom.  
**DO NOT** overtighten screws, could cause damage to roofing material.  
Do not install screws along outer edges of the panels.



**Hardware**

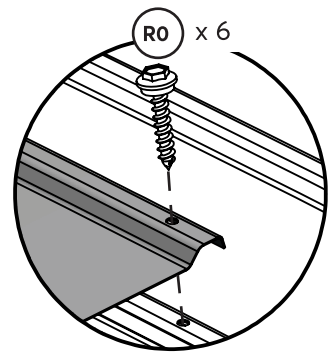
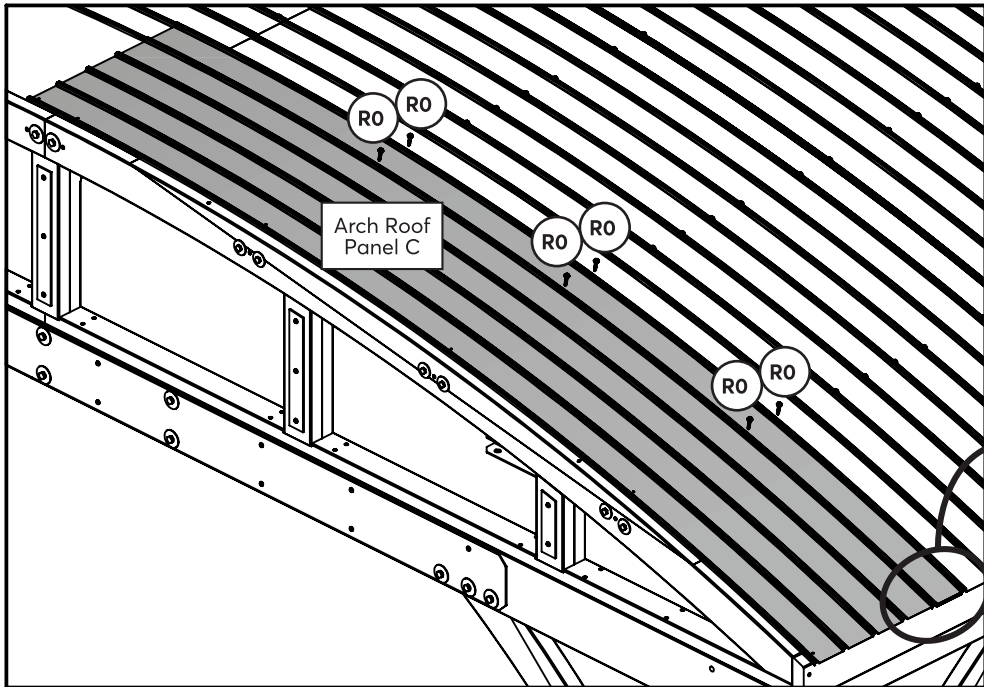
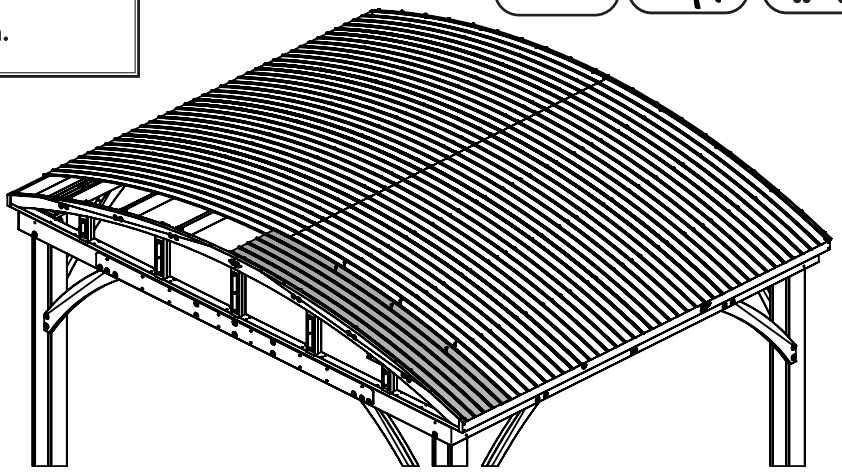
156 x 

**Components**

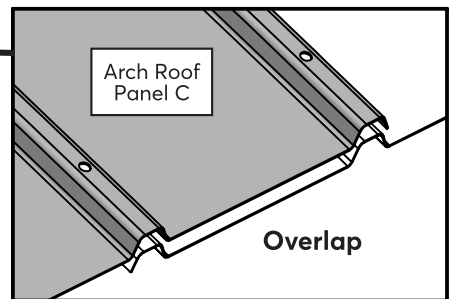
6 x Arch Roof Panel A

51

Bend roof and attach screws from top to bottom.  
**DO NOT** overtighten screws, could cause damage to roofing material.  
Only install screws in the locations shown.



Align holes



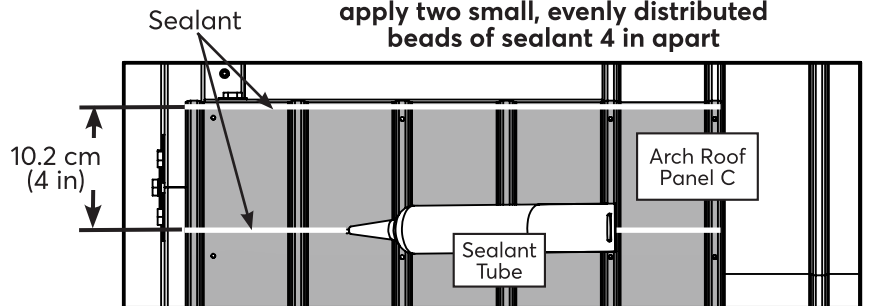
Overlap

**Note:** All surfaces to be clean, dry, dust and grease free before application with temperatures above 5°C (41°F), no warmer than 35°C (95°F).

- Apply sealant in small beads and smooth as required.
- Clean excess with a cloth or paper towel before it skins over.
- Always wear safety glasses and rubber gloves when using product.

See page 6 for Warning and First Aid Information.

Across the top of Arch Roof Panel C apply two small, evenly distributed beads of sealant 4 in apart



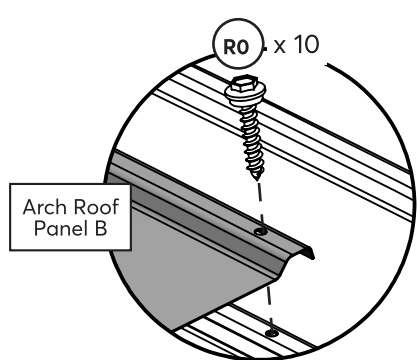
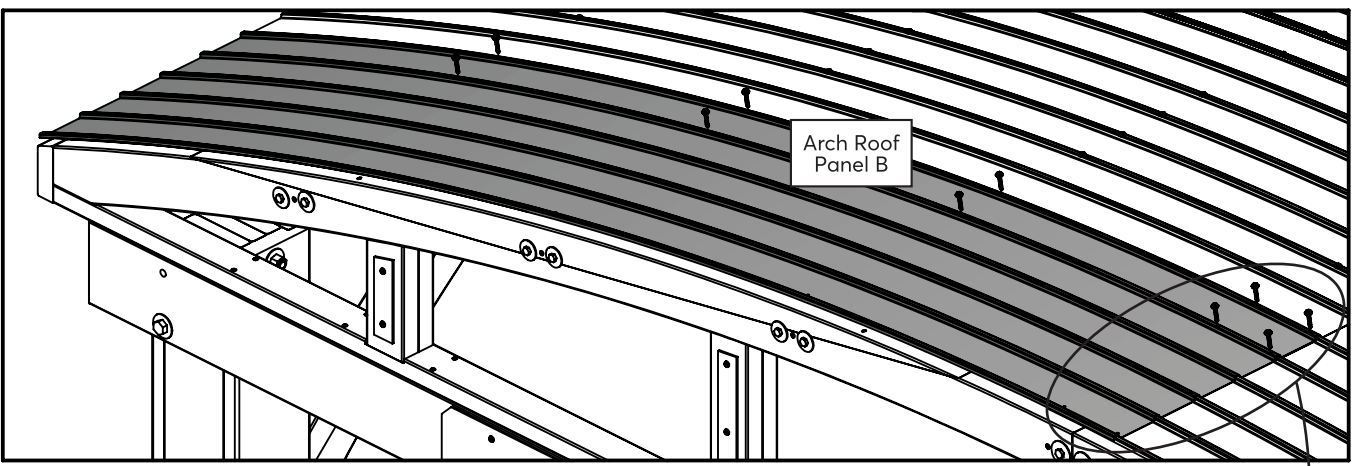
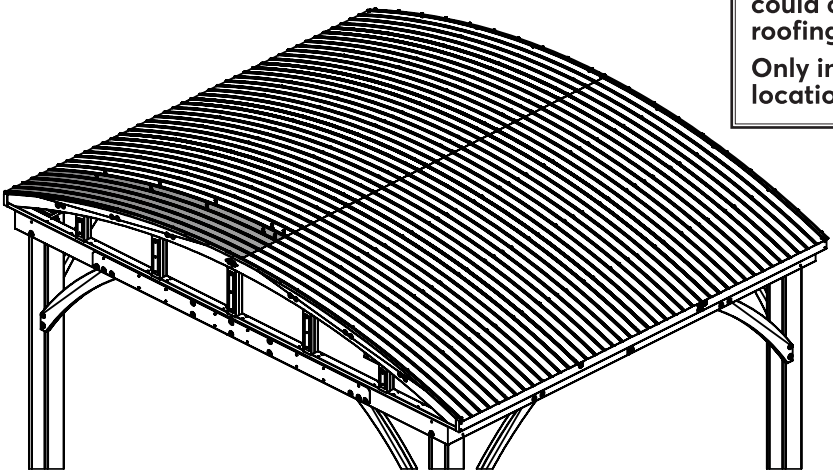
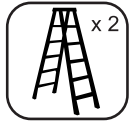
**Hardware**

6 x RO

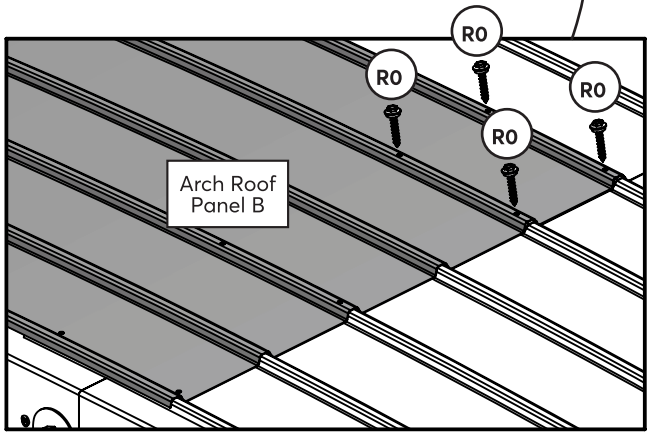
**Components**

1 x Arch Roof Panel C

Bend roof and attach screws from top to bottom.  
**DO NOT** overtighten screws, could cause damage to roofing material.  
 Only install screws in the locations shown.



Align holes



Overlap

**Hardware**

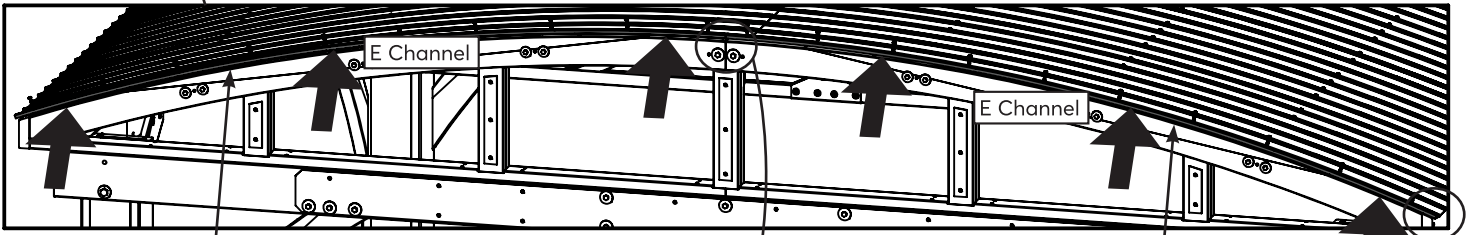
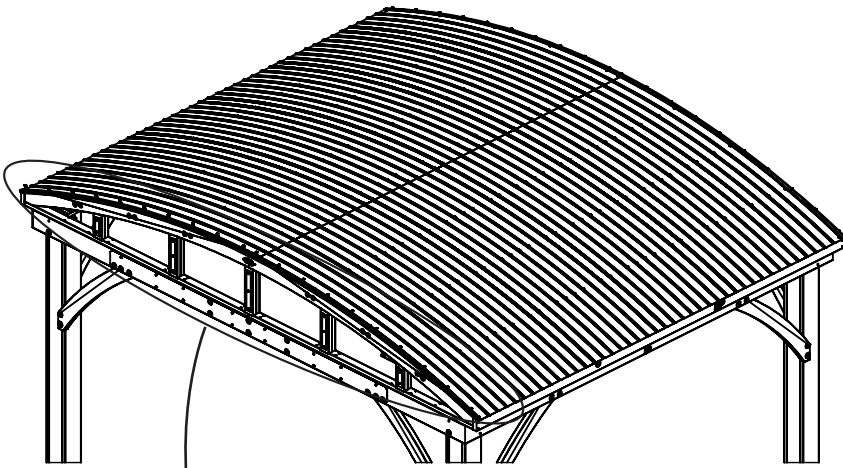
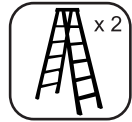
10 x (R0)

**Components**

1 x Arch Roof Panel B

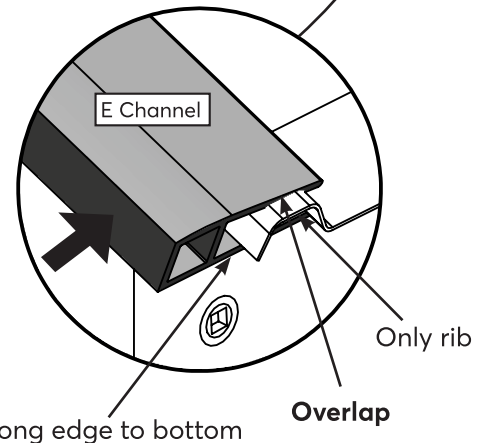
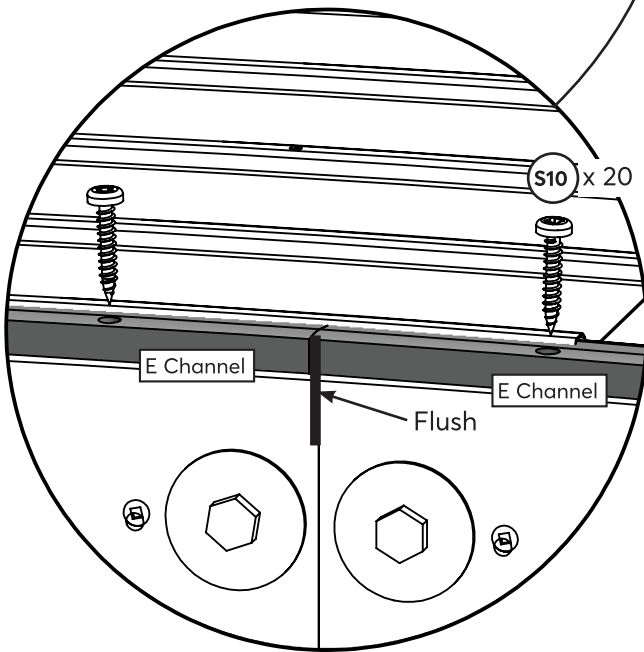
53

Bend E Channel and attach screws from the center and work outwards.  
Long edge to bottom



Flush

Flush

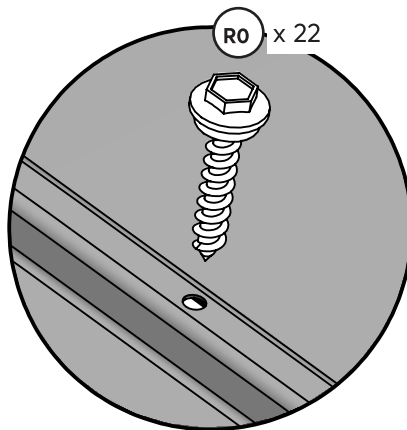
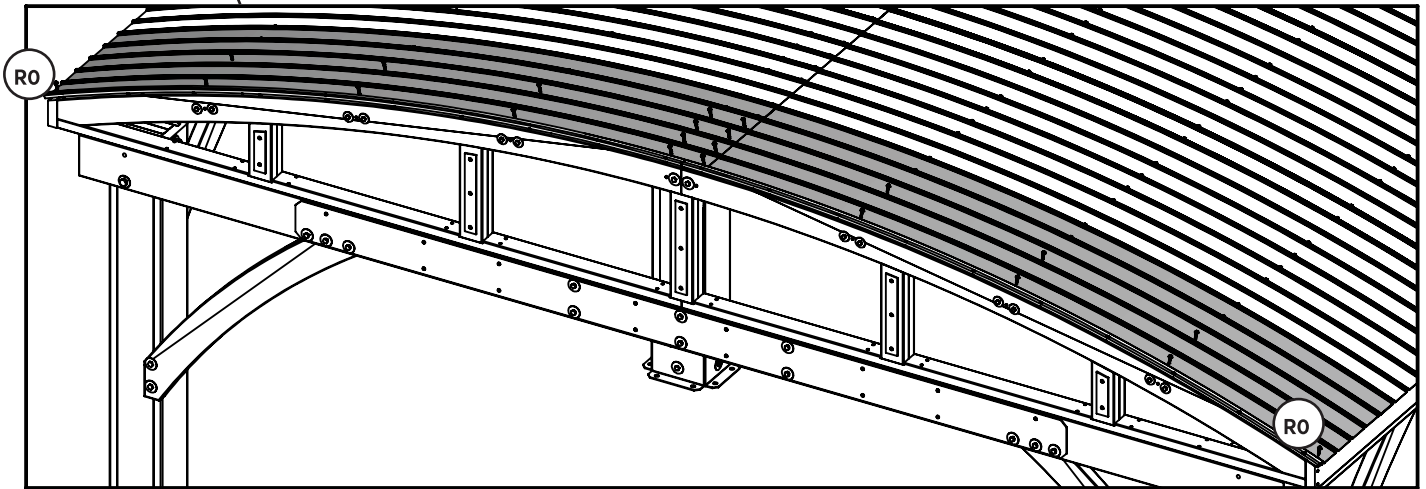
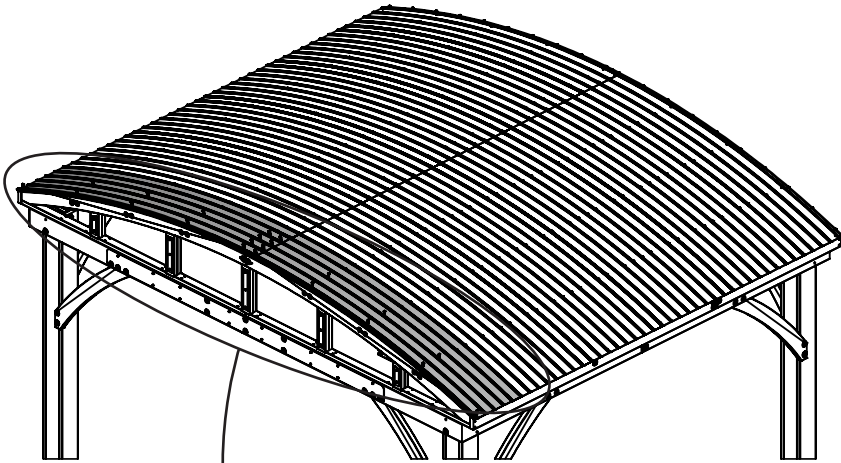


**Hardware**  
20 x S10

**Components**  
2 x E Channel

54

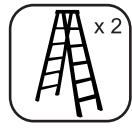
DO NOT overtighten screws, could cause damage to roofing material.  
Only install screws in the locations shown.



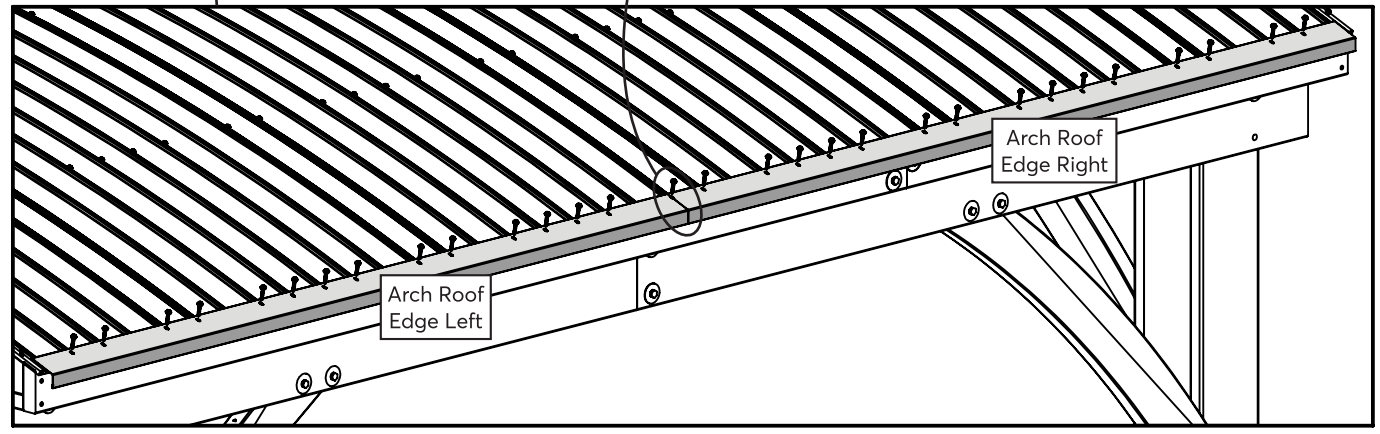
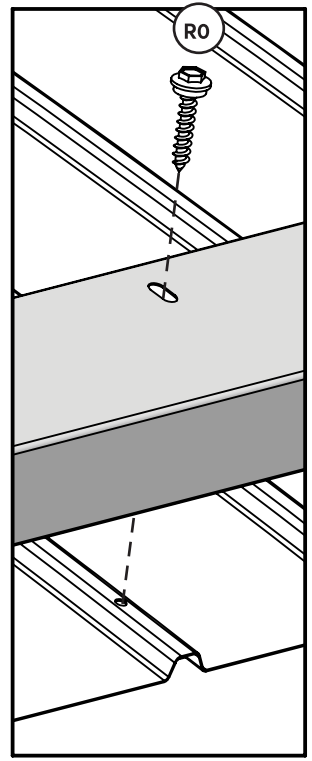
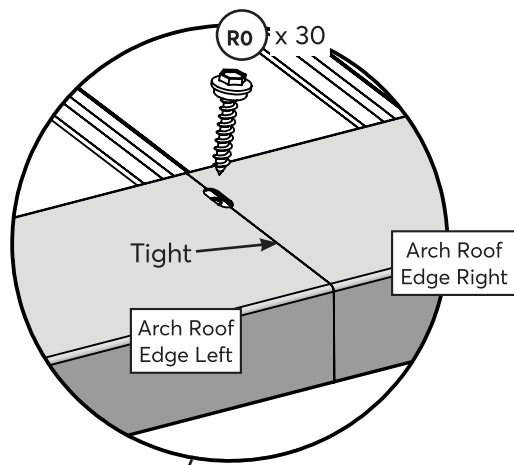
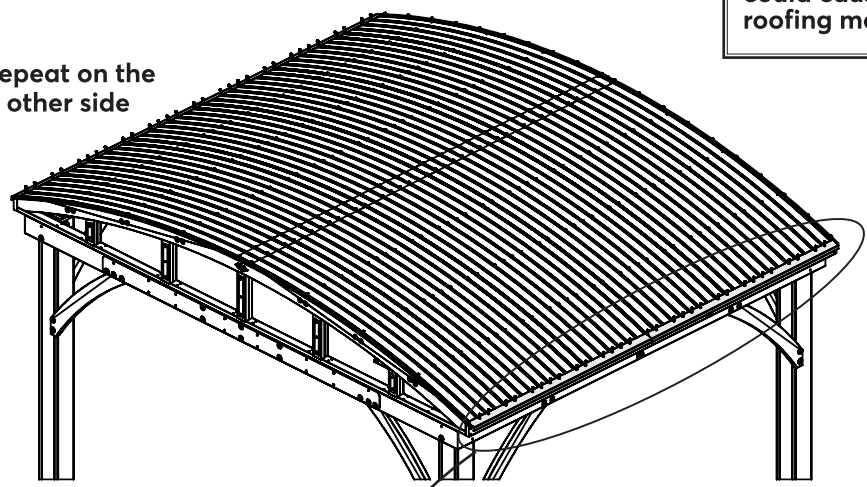
Hardware

22 x (R0)

DO NOT overtighten screws, could cause damage to roofing material



Repeat on the other side



Hardware

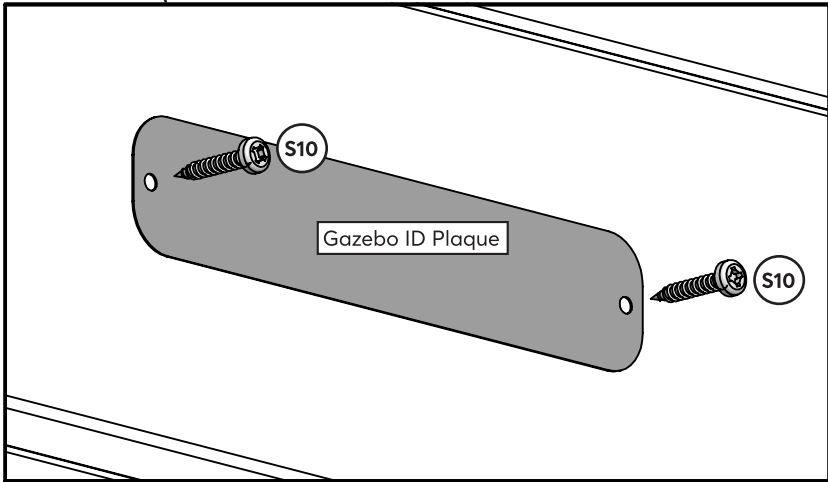
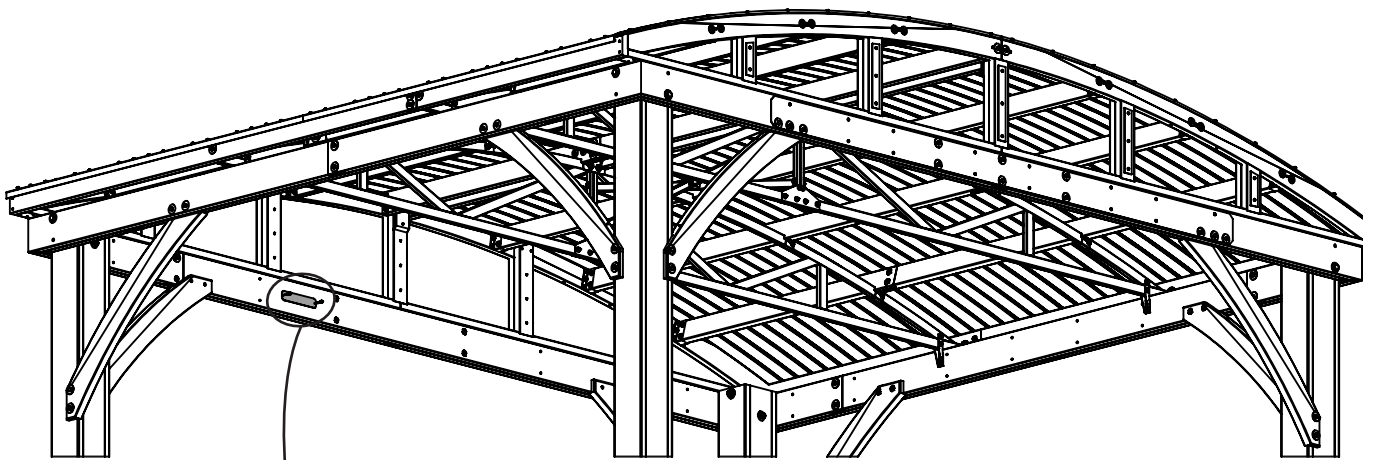
60 x R0

Components

2 x Arch Roof Edge Left  
2 x Arch Roof Edge Right

56

Attach Gazebo ID Plaque to a prominent location on your gazebo with two S10. This provides warnings concerning safety and important contact information.



**Hardware**

2 x S10

**Components**

1 x Gazebo ID Plaque

# YARDISTRY®

Yardistry® 375 Sligo Road West, P.O. Box 10, Mount Forest, ON Canada N0G 2L1

---

Distributed by:  
Costco Wholesale Corporation  
P.O. Box 34535  
Seattle, WA 98124-1535  
USA  
1-800-774-2678  
www.costco.com

Costco Wholesale Canada Ltd.\*  
415 W. Hunt Club Road  
Ottawa, Ontario  
K2E 1C5, Canada  
1-800-463-3783  
www.costco.ca

\* faisant affaire au Québec sous  
le nom les Entrepôts Costco

Importado por:  
Importadora Primex S.A. de C.V.  
Blvd. Magnocentro No. 4  
San Fernando La Herradura  
Huixquilucan, Estado de México  
C.P. 52765  
RFC: IPR-930907-S70  
(55)-5246-5500  
www.costco.com.mx

Costco Wholesale Australia Pty Ltd  
17-21 Parramatta Road  
Lidcombe NSW 2141  
Australia  
www.costco.com.au

Costco Wholesale UK Ltd /  
Costco Online UK Ltd  
Hartspring Lane  
Watford, Herts  
WD25 8JS  
United Kingdom  
01923 213113  
www.costco.co.uk

Costco Wholesale Spain S.L.U.  
Polígono Empresarial Los Gavilanes  
C/ Agustín de Betancourt, 17  
28906 Getafe (Madrid) España  
NIF: B86509460  
900 111 155  
www.costco.es

Costco Wholesale Iceland ehf.  
Kauptún 3-7, 210 Gardabaer  
Iceland  
www.costco.is

Costco France  
1 avenue de Bréhat  
91140 Villebon-sur-Yvette  
France  
01 80 45 01 10  
www.costco.fr

Costco Wholesale Japan Ltd.  
2 Kakuchi, 2 Gaiku, Kaneda-Nishi  
361 Urakura, Kisarazu shi  
Chiba, 292-0007 Japan  
0570-200-800  
www.costco.co.jp

Costco Wholesale Korea, Ltd.  
40, Iljik-ro  
Gwangmyeong-si  
Gyeonggi-do, 14347, Korea  
1899-9900  
www.costco.co.kr

Costco Wholesale New Zealand Limited  
2 Gunton Drive  
Westgate  
Auckland 0814  
New Zealand  
www.costco.co.nz

Costco (China) Investment Co., Ltd.  
Room 01 Mezzanine  
No. 5178, Kang Xin Highway  
Pudong New District  
Shanghai  
China 201315  
+86-21-6257-7065

Costco Wholesale Sweden AB  
Box 614  
114 11 Stockholm  
Sweden  
www.costco.se

MADE IN CHINA / FABRIQUÉ EN CHINE / HECHO EN CHINA





## Customer Registration Card - Carte d'inscription du client - Tarjeta de Registro del Cliente

First Name - Prénom - Primer Nombre	Initial - Initiale - Inicial	Last Name - Nom de famille - Apellido

Street - Rue - Calle	PO Box - Boîte postale - Casilla postal	Apt. No. - App.

City - Ville - Ciudad	State/Province - État/Province - Estado/Provincia

ZIP/Postal Code - ZIP/Code postal - Código Postal	Country - Pays - País

E-mail Address - Adresse courriel - Dirección de E-mail	Telephone Number - N° de téléphone - No. de Teléfono

Model Name - Nom du modèle - Nombre del Modelo	Model Number (from front cover) - N° du modèle (page de couverture) - Número de Modelo (de la portada)

Date of Purchase - Date d'achat - Fecha de Compra (mm/dd/yyyy) (mm/jj/aaaa) (mm/dd/aaaa)	Place of Purchase - Lieu d'achat - Comprado a

Comments - Commentaires - Comentarios :

### Mail To - Envoyer par courrier à - Enviar por Correo a:

Yardistry  
375 Sligo Road West, PO Box 10  
Mount Forest, Ontario, Canada, N0G 2L0  
Attention: Consumer Relations  
À l'attention de : Service à la clientèle  
Atención a: Servicio de Atención al Cliente

### Online Registration - Enregistrement en ligne - Registro online:

[www.yardistrystructures.com/warranty](http://www.yardistrystructures.com/warranty)

1.888.509.4382

Hours/ Heures/ Horas: 8:30 am - 5:00 pm EST  
(excl. holidays/ hors jours fériés/ excepto los días festivos)

English and French Spoken / Anglais et français parlés / Inglés y francés hablado

Yardistry would like to say "Thank you" for your time and feedback.

Yardistry aimerait vous remercier d'avoir pris le temps de répondre au sondage.

Yardistry quiere "Agradecerle" por su tiempo y su opinión.