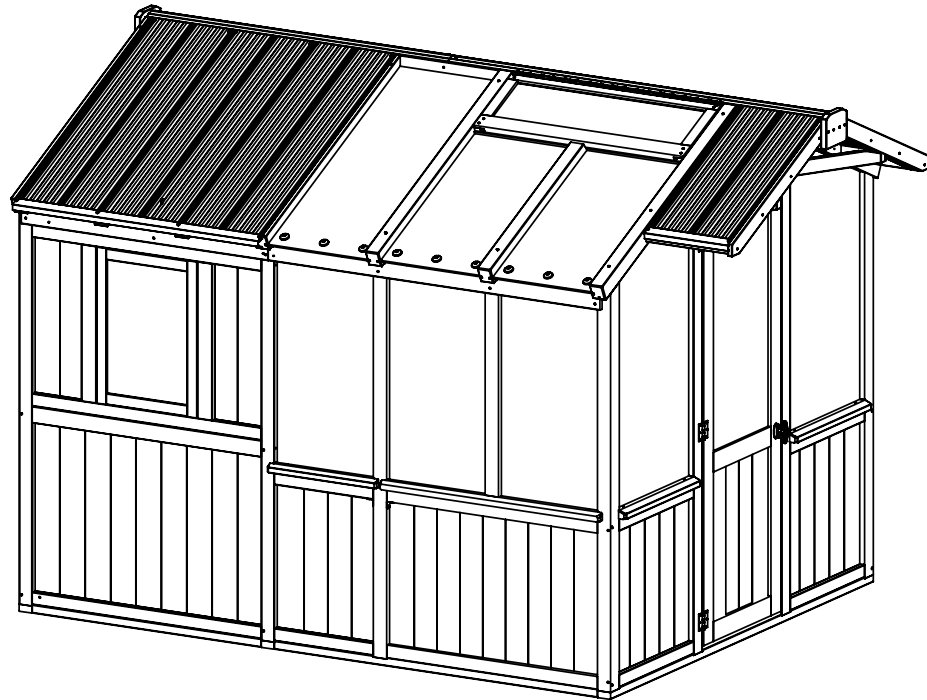


3.47 m (11.4 ft) x 2.46 m (8.1 ft) GREENHOUSE

Installation and Operating Instructions – YM12670



IMPORTANT, RETAIN FOR FUTURE REFERENCE: READ CAREFULLY
THIS ITEM IS INTENDED FOR OUTDOOR DOMESTIC USE ONLY.
NOT FOR COMMERCIAL USE.

HEIGHT:
2.45 m / 8.03 ft

12-31-2025

YARDISTRY®

Yardistry – North America
Toll Free Customer Support:

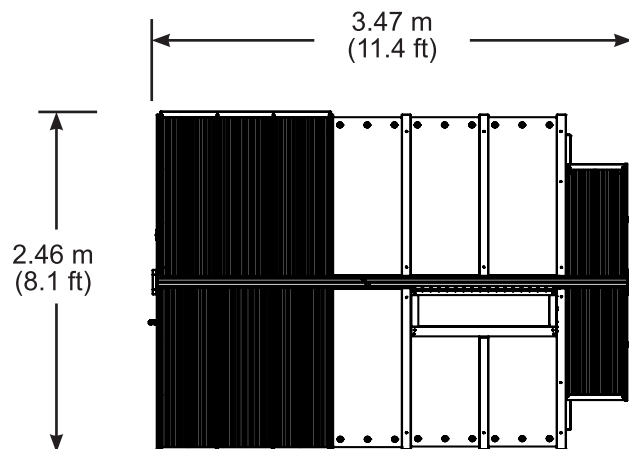
1.888.509.4382
Mon - Fri, 8:30 am - 5:00 pm EST
(excl. holidays)

English and French Spoken

For extended hours see our website:

www.yardistrystructures.com
info@yardistrystructures.com

Patents Pending



TOP VIEW

Important Safety Notice!

Yardistry components are intended for privacy, decorative and ornamental use only.

Product is NOT INTENDED for the following:

- A safety barrier to prevent unsupervised access to pools, hot tubs, spas or ponds.
- As load bearing support for a building, structure, heavy objects or swings.
- Used in structures that trap wind, rain or snow that would create extra load on the product.

Accumulated snow must be removed from roof.

DO NOT climb or walk on roof for any reason.

Permanent structures may require a building permit. As the purchaser and or installer of this product you are advised to consult local planning, zoning and building inspection departments for guidance on applicable building codes and/or zoning requirements.

Wood is NOT flame retardant and will burn. Grills, fire pits and chimineas are a fire hazard if placed too close to a Yardistry structure. Consult user's manual of the grill, fire pit or chimnea for safe distances from combustible materials.

Wear gloves to avoid injury from possible sharp edges of individual elements before assembly.

During installation, follow all safety warnings provided with your tools and use OSHA approved safety glasses. Some structures may require two or more people to install safely.

Check for underground utilities before digging or driving stakes into the ground!

It is important during assembly to closely follow the instructions, complete the assembly on a solid level surface and that you follow the instruction to square up, level and anchor the structure, this will reduce the gap at wood connections during assembly.

General Information

General Information: Wood components are manufactured with premium outdoor lumber (c.lanceolata) which is protected with factory applied water-based stain. Knots, small checks (cracks) and weathering are naturally occurring and do not affect the strength of the product. Annual application of a water-based water repellent sealant or stain is important and will help reduce weathering and checks.

www.yardistrystructures.com

Questions?

Call toll free or write us at:
1 (888) 509-4382
support@yardistrystructures.com

Regular Hours: Mon - Fri, 8:30 am - 5:00 pm EST
(excl. holidays)

English and French Spoken

(For extended hours see our website)

www.yardistrystructures.com

Patents Pending

Limited Warranty

Yardistry warrants that this product is free from defect in materials and workmanship for a period of one (1) year from the original date of purchase. In addition, for any product with lumber, all lumber is warranted for five (5) years against rot and decay. Polycarbonate panels are warranted for five (5) years against defect in materials and workmanship. This warranty applies to the original owner and registrant and is non-transferable.

Regular maintenance is required to assure the integrity of your product and is a requirement of the warranty. This warranty does not cover any inspection costs.

This Limited Warranty does not cover:

- Labor for replacement of any defective item(s);
- Incidental or consequential damages;
- Cosmetic defects which do not affect performance or integrity;
- Vandalism; improper use or installation; acts of nature, including but not limited to wind, storms, hail, floods, excessive water exposure;
- Minor twisting, warping, checking or any other natural occurring properties of wood that do not affect performance or integrity.

Yardistry products have been designed for safety and quality. Any modifications made to the original product could damage the structural integrity of the product leading to failure and possible injury. Yardistry cannot assume any responsibility for modified products. Furthermore, modification voids any and all warranties.

This product is warranted for RESIDENTIAL USE ONLY. Yardistry disclaims all other representations and warranties of any kind, express or implied.

This Warranty gives you specific legal rights. You may have other rights as well which vary from state to state or province to province. This warranty excludes all consequential damages, however, some states/provinces do not allow the limitation or exclusion of consequential damages, and therefore this limitation may not apply to you.

Instructions for Proper Maintenance

Your Yardistry structure is designed and constructed of quality materials. As with all outdoor products it will weather and wear. To maximize the enjoyment, safety and life of your structure it is important that you, the owner, properly maintain it.

HARDWARE:

- Check metal parts for rust. If found, sand and repaint using a non-lead paint complying with 16 CFR 1303.
- Inspect and tighten all hardware after completion of assembly; after first month of use; and then annually. Do not over-tighten as to cause crushing and splintering of wood.
- Check for sharp edges or protruding screw threads, add washers if required.

WOOD PARTS:

- Applying a water repellent or stain (water-based) on a yearly basis is important maintenance to maintain maximum life and performance of the product.
- Check all wood members for deterioration, structural damage and splintering. Sand down splinters and replace deteriorated wood members. As with all wood, some checking and small cracks in grain is normal
- Some gapping may occur at some wood connections.

POLYCARBONATE PANELS:

- Clean panels with mild soap and water using a soft cloth or sponge.
- Inspect silicone seal around each panel for separation. Reapply silicone seal as needed.
- Condensation may occur as temperature and humidity levels fluctuate. Condensation is temporary and will evaporate on its own. Proper ventilation can help to reduce condensation inside the Greenhouse.

SINGLE SPRING ALUMINUM WINDOW OPENER:

- At the end of the warm weather season the cylinder must be removed from the greenhouse and stored in a dry place.
- Lubricate the cylinder before re-installing each time.

Assembly Guides

Tools Required: (Not included)

- | | | |
|------------------------------|-----------------------|--------------------|
| • Tape Measure | • Hard Hat | • 6 ft Step Ladder |
| • Carpenters Level | • Safety Glasses | • Square |
| • Standard or Cordless Drill | • Adult Helper | • Caulking Gun |
| • Claw Hammer | • Safety Gloves | • 1/2" Drill Bit |
| • 7/16" & 1/2" Wrench | • 7/16" & 1/2" Socket | • Ratchet |
| • Adjustable Wrench | | |

Symbols:

Throughout these instructions symbols are provided in the top, right-hand corner of the page.



- Use Help, where this is shown, 2, 3 or 4 people are required to safely complete this step. To avoid injury or damage to the structure make sure to get some help.



- Use a measuring tape to ensure proper location



- Pre-drill a pilot hole before fastening screw or lag to prevent splitting of wood.



- Check that assembly is square before tightening bolts



- Check that the assembly is level



- One or more ladders are required to safely complete this step.

If you dispose of your Yardistry structure: Please disassemble and dispose of your unit so that it does not create any unreasonable hazards at the time it is discarded. Be sure to follow your local waste ordinances.

Assembly Tips

Following are some helpful tips to make the assembly process smooth and efficient.

PRE-ASSEMBLY:

- Work on a raised, solid and flat surface such as a table or saw horse.
- Keep all connections flush where shown in the instructions.
- When assembling, keep parts flat, straight and snug when connecting.

POLYCARBONATE PARTS:

- Material may have sharp edges, wear safety gloves.
- Remove all plastic covering, on both sides of the polycarbonate panels, directly before installing each piece.
- Place polycarbonate parts on a non-abrasive surface before and after assembly as it can bend, dent and scratch easily.
- When standing on the outside of the unit, the notch in the polycarbonate panel needs to be on the bottom right-hand side.
- Remove protective film immediately before installing panels.

TAPE:

- Do not substitute tape.
- Tape should be applied in temperatures above 10°C (50°F).

SINGLE SPRING ALUMINUM WINDOW OPENER:

- Before installing, place black cylinder in the refrigerator for approximately 5-7 minutes or until cylinder rod has fully retracted.
- Automatic ventilation will not occur in temperatures above 50°C (122°F).
- The Aluminum Single Spring Window Opener is designed to automatically open and close with changes in temperature. It must not be opened or closed manually. Doing so will result in damage to the component.

GUIDE SPACERS:

- Included to help align grooves in wood parts to properly install polycarbonate panels.

WINTER AND HIGH WIND PREPARATION:

- Any accumulated snow must be removed from roof.

Sealant Application Tips, Warning and First Aid Information

SEALANT:

- All surfaces to be clean, dry, dust and grease free before application with temperatures above 5°C (41°F), no warmer than 35°C (95°F).
- Cut tip off sealant tube, attach supplied nozzle and use a caulking gun to apply small beads. See below images.
- Apply sealant in small beads and smooth as required.
- To smooth sealant into the joint use a glove covered finger, putty knife, etc. Smooth sealant to create a continuous water-tight seal.
- Clean excess with a cloth or paper towel before it skins over.
- An initial bond will set in approximately 20 minutes and fully set in 24 hours.

WARNING:

- CAUSES SERIOUS EYE AND SKIN IRRITATION. Always wear safety glasses and rubber gloves when using product.
- KEEP OUT OF REACH OF CHILDREN.
- Prolonged or repeated exposure MAY CAUSE ORGAN DAMAGE. Provide ample ventilation.

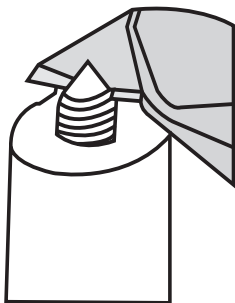
FIRST AID:

- If ingested, DO NOT INDUCE VOMITING. Seek immediate medical attention.
- Eye contact: immediately flush eyes with water for at least 15 minutes. Remove contact lenses if present.
- Skin contact; wash thoroughly with soap and water. If eye/skin irritation persists or respiratory symptoms occur or develop, seek medical attention.

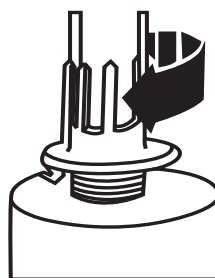
Use of this product can expose you to chemicals including Methanol, which is known to the State of California to cause birth defects and other reproductive harm. For more information, go to www.P65Warnings.ca.gov.

Dispose of contents and container in accordance with local regulations.

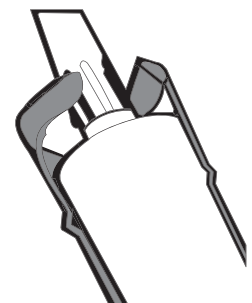
Step 1: Cut off tip of tube



Step 2: Attached supplied nozzle



Step 3: Put tube in caulking gun



Structure Location Preparation

Note: It is critically important you start with square, solid and level base to attach your Greenhouse.

The hardware to mount the structure permanently will need to be purchased separately at your local hardware store.

Before preparing your surface for the structure please double check for possibility of any underground utilities such as gas, telephone, cable or sprinkler lines.

Choose a level piece of land with good drainage and lots of sunlight. Ensure it is easy to get around for essential cleaning and maintenance.

Remove any sod, grass, weeds, etc. from the area. Start with a packed and level dirt floor.

The recommended area for site preparation is 3 m L x 2.3 m W (9.84 ft L x 7.55 ft W) for this structure.

Refer to your local building and city codes, ordinances, neighborhood covenants, or height restrictions regarding this type of structure for guidance on acceptable installation requirements.

Following are some examples of how to prepare the location for the structure.

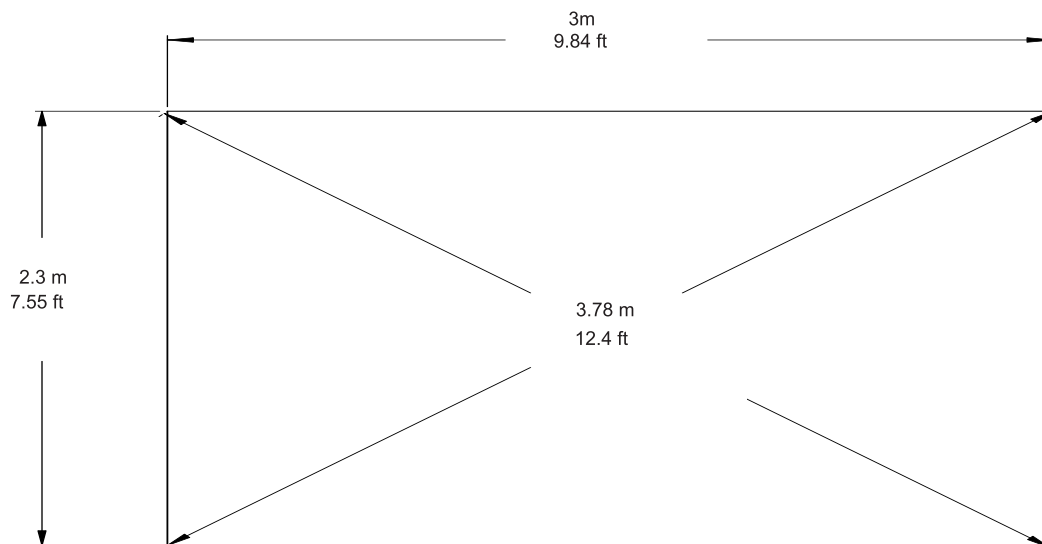
If you are using a soft, natural base, the following will be needed:

- Sand
- Landscape fabric
- 4 x 4 treated lumber for the base of the structure
- Hardware for attaching lumber together
- Hardware for mounting the structure to the lumber base
- Gravel
- Tie down kit

If you are using a concrete foundation, the following will be needed:

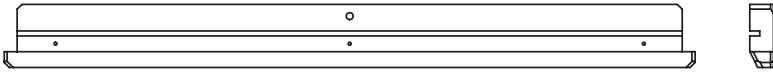
- Hardware for mounting the structure to the concrete base

Use the following dimensions for the concrete foundation.

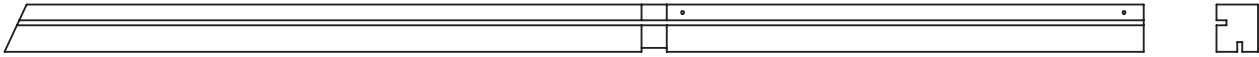


Part Identification (Dimensions are approximate and are shown to assist in the identification of parts for assembly. Actual dimensions may be smaller or larger.)

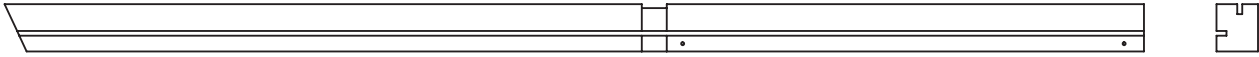
2pc. (1107) - Side Wall Sill - 1112.8 mm (43-13/16") - FSC (Y50218-1107)



1pc. (1108) - Left Post - 1835.2 mm (72-1/4") - FSC (Y50229-1108)



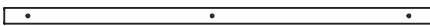
1pc. (1109) - Right Post - 1835.2 mm (72-1/4") - FSC (Y50229-1109)



2pc. (1110) - Mid Post - 1835.2 mm (72-1/4") - FSC (Y50229-1110)



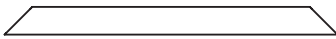
2pc. (1129) - Top Door Block - 690 mm (27-3/16") - FSC (Y50229-1129)



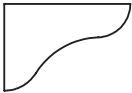
4pc. (1130) - Door Block - 1935.2 mm (76-3/16") - FSC (Y50229-1130)



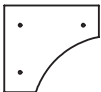
1pc. (1134) - Shelf Gusset - 536.6 mm (21-1/8") - FSC (Y50229-1134)



4pc. (1138) - Wooden Gusset - 203.2 mm (8") - FSC (Y50218-1138)



2pc. (1142) - Closer Block - 152.4 mm (6") - FSC (Y50229-1142)



2pc. (1188) - Guide Spacer - 262 mm (10-5/16") - FSC (Y50200-1188)



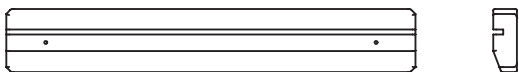
2pc. (1524) - Shelf Side - 720.1 mm (28-3/8") - FSC (Y50229-1524)



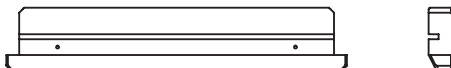
8pc. (1525) - Shelf Joist - 465.3 mm (18-5/16") - FSC (Y50229-1525)



2pc. (1532) - Front Wall Sill - 659.2 mm (25-15/16") - FSC (Y50218-1532)

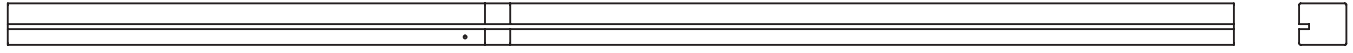


2pc. (1534) - Middle Side Wall Sill - 548.5 mm (21-9/16") - FSC (Y50218-1534)

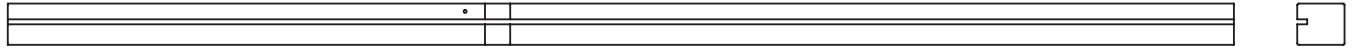


Part Identification (Dimensions are approximate and are shown to assist in the identification of parts) for assembly. Actual dimensions may be smaller or larger.

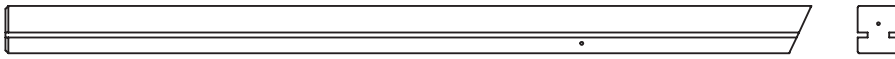
1pc. (1535) - Door Post Left - 1974.9 mm (77-3/4") - FSC (Y50218-1535)



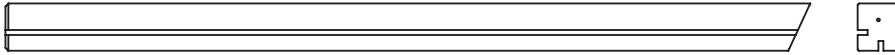
1pc. (1536) - Door Post Right - 1974.9 mm (77-3/4") - FSC (Y50218-1536)



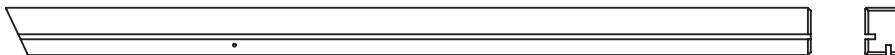
3pc. (1537) - Middle Roof Rafter - 1298.4 mm (51-1/8") - FSC (Y50218-1537)



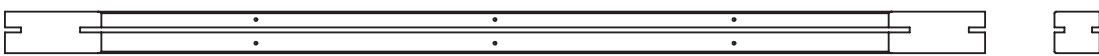
1pc. (1538) - Right Roof Rafter - 1296.8 mm (51-1/16") - FSC (Y50218-1538)



1pc. (1539) - Left Roof Rafter - 1296.8 mm (51-1/16") - FSC (Y50218-1539)



2pc. (1540) - FB Gable Beam - 1579.2 mm (62-3/16") - FSC (Y50229-1540)



3pc. (1543) - Front Base - 2292.4 mm (90-1/4") - FSC (Y50229-1543)



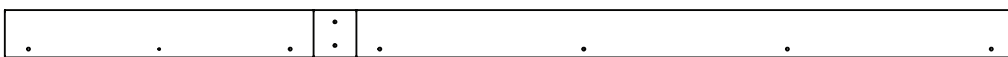
3pc. (1545) - Upright Inside - 269.4 mm (10-5/8") - FSC (Y50229-1545)



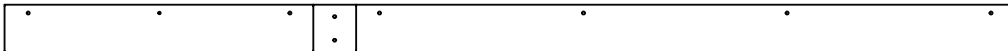
3pc. (1546) - Upright Outside - 269.4 mm (10-5/8") - FSC (Y50229-1546)



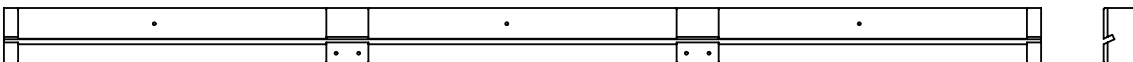
1pc. (1568) - Side Base - 1627.3 mm (64-1/16") - FSC (Y50229-1568)



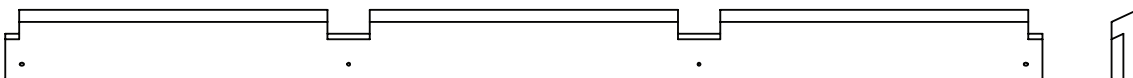
1pc. (1569) - Vent Side Base - 1627.3 mm (64-1/16") - FSC (Y50229-1569)



1pc. (1571) - Roof Peak - 1670.8 mm (65-3/4") - FSC (Y70218-1571)



2pc. (1573) - Side Wall Top - 1671 mm (65-13/16") - FSC (Y70218-1573)



2pc. (2600) - Folding Shelf Front - 1570.1 mm (61-13/16") - FSC (Y50229-2600)



Part Identification (Dimensions are approximate and are shown to assist in the identification of parts for assembly. Actual dimensions may be smaller or larger.)

1pc. (2601) - Shelf Front - 1570.1 mm (61-13/16") - FSC (Y50229-2601)



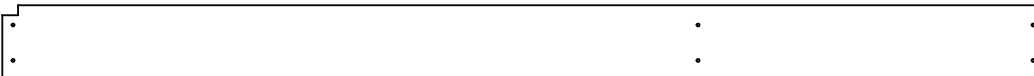
10pc. (2602) - Shelf Top - 1568.1 mm (61-3/4") - FSC (Y50229-2602)



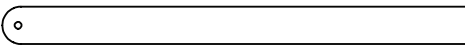
4pc. (2603) - Top Shelf - 1628.6 mm (64-1/8") - FSC (Y50229-2603)



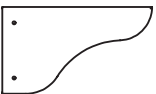
1pc. (2604) - Folding Shelf Support - 1678.1 mm (66-1/16") - FSC (Y50229-2604)



2pc. (2605) - Folding Shelf Leg - 750.3 mm (29-9/16") - FSC (Y50229-2605)



4pc. (2366) - Wooden Gusset Long - 241.3 mm (9-1/2") - FSC



(Y50218-2366)

2pc. (2367) - Bottom Front Roof Support - 427.1 mm (16-13/16") - FSC

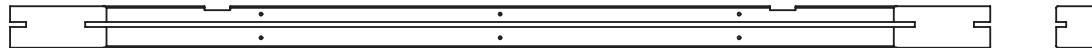


(Y50218-2367)

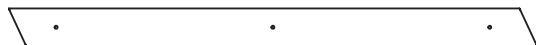
2pc. (2368) - Fascia - 918.5 mm (36-3/16") - FSC (Y50218-2368)



1pc. (2369) - Front Gable Beam - 1579.2 mm (62-3/16") - FSC (Y50229-2369)



4pc. (2370) - Front Roof Rafter - 851 mm (33-1/2") - FSC (Y50218-2370)



1pc. (2371) - Left Roof Gusset - 483.1 mm (19") - FSC (Y50229-2371)



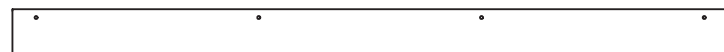
1pc. (2372) - Right Roof Gusset - 483.1 mm (19") - FSC (Y50229-2372)



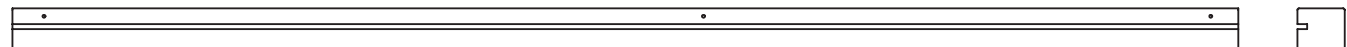
1pc. (2373) - Roof Peak Block - 92.1 mm (3-5/8") - FSC (Y50218-2373)



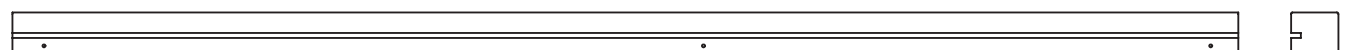
2pc. (2374) - Shed Base - 1152.6 mm (45-3/8") - FSC (Y50229-2374)



2pc. (2375) - Shed Door Post Left - 1974.9 mm (77-3/4") - FSC (Y50218-2375)

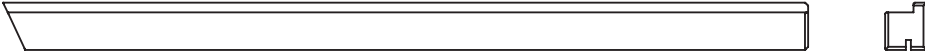


2pc. (2376) - Shed Door Post Right - 1974.9 mm (77-3/4") - FSC (Y50218-2376)

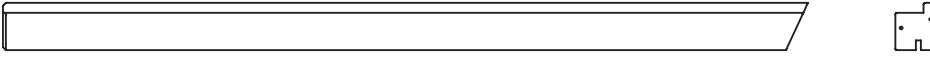


Part Identification (Dimensions are approximate and are shown to assist in the identification of parts) for assembly. Actual dimensions may be smaller or larger.

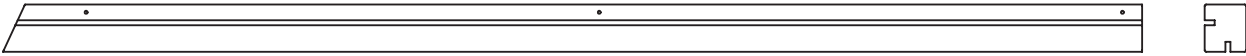
1pc. (2377) - Shed End Rafter Left - 1296.8 mm (51-1/16") - FSC (Y50218-2377)



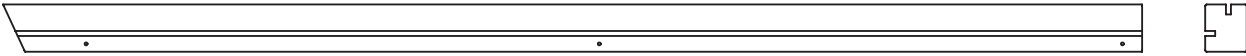
1pc. (2378) - Shed End Rafter Right - 1296.8 mm (51-1/16") - FSC (Y50218-2378)



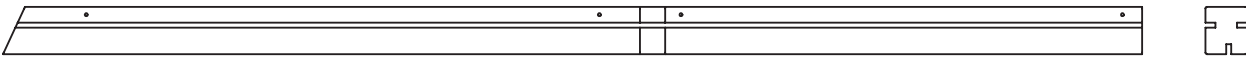
1pc. (2379) - Shed Left Corner Post - 1835.2 mm (72-1/4") - FSC (Y50229-2379)



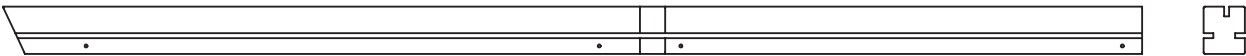
1pc. (2380) - Shed Right Corner Post - 1835.2 mm (72-1/4") - FSC (Y50229-2380)



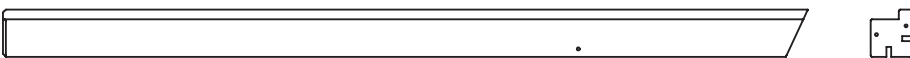
1pc. (2381) - Shed Left Wall Post - 1835.2 mm (72-1/4") - FSC (Y50229-2381)



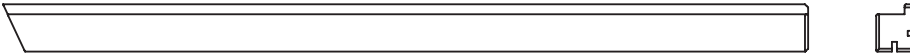
1pc. (2382) - Shed Right Wall Post - 1835.2 mm (72-1/4") - FSC (Y50229-2382)



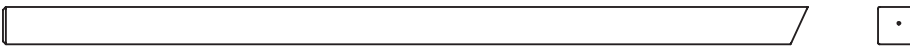
1pc. (2383) - Shed Mid Rafter Left - 1296.8 mm (51-1/16") - FSC (Y50218-2383)



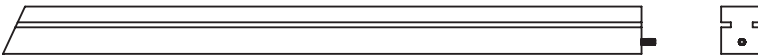
1pc. (2384) - Shed Mid Rafter Right - 1296.8 mm (51-1/16") - FSC (Y50218-2384)



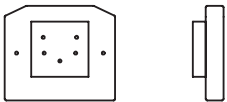
4pc. (2385) - Shed Rafter - 1296.8 mm (51-1/16") - FSC (Y50218-2385)



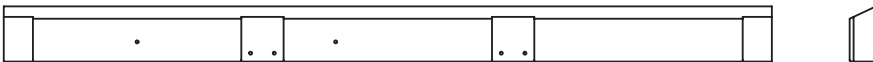
2pc. (1144) - Short Post Assembly - 1047.8 mm (41-1/4") - FSC (Y70229-1144)



2pc. (2429) - Peak Spacer - 177.8 mm (7") - FSC (Y70218-2429)



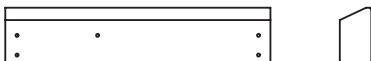
2pc. (2422) - Shed Roof Peak - 1244 mm (49") - FSC (Y70218-2422)



2pc. (2426) - Shed Wall Top - 1242.3 mm (48-7/8") - FSC (Y70218-2426)



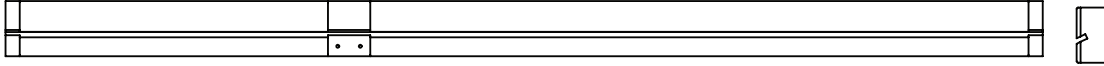
2pc. (2427) - Top Front Roof Support - 427.1 mm (16-7/8") - FSC (Y70218-2427)



Part Identification (Dimensions are approximate and are shown to assist in the identification of parts) for assembly. Actual dimensions may be smaller or larger.

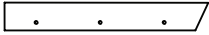
1pc. (1572) - Vent Roof Peak - 1670.8 mm (65-3/4") - FSC

(Y70218-1572)



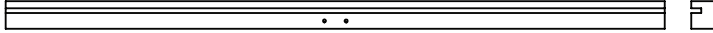
2pc. (1126) - Inside Vent Block - 328 mm (12-15/16") - FSC

(Y50218-1126)



1pc. (1128) - Bottom Vent Block - 1061.6 mm (41-13/16") - FSC

(Y50218-1128)



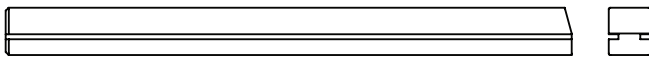
1pc. (1187) - Vent Roof Panel Block - 1003.3 mm (39-1/2") - FSC

(Y50218-1187)



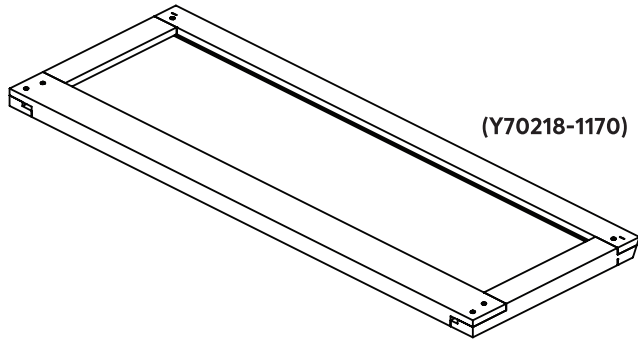
1pc. (1547) - Vent Roof Rafter - 911.6 mm (35-7/8") - FSC

(Y50218-1547)



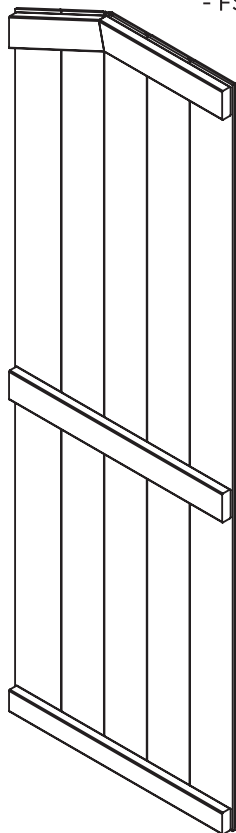
1pc. (1170) - Vent Roof Panel - 1055.7 mm (41-9/16") - FSC

(Y70218-1170)



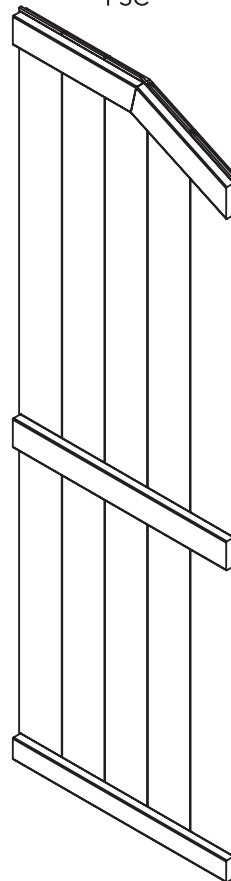
Part Identification (Dimensions are approximate and are shown to assist in the identification of parts) for assembly. Actual dimensions may be smaller or larger.

2pc. (2420) - Shed Left Back Wall Panel - 1962.2 mm (77-1/4")
- FSC



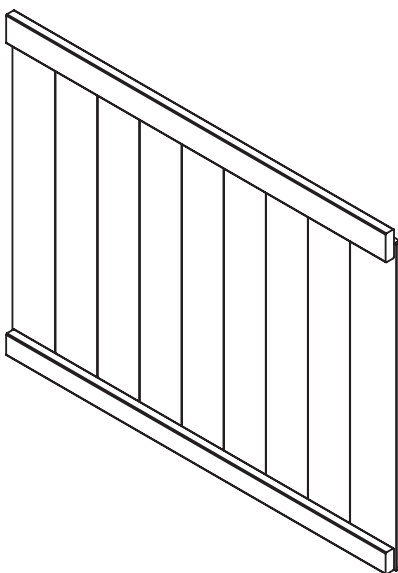
(Y70229-2420)

2pc. (2421) - Shed Right Back Wall Panel - 1962.2 mm (77-1/4")
- FSC



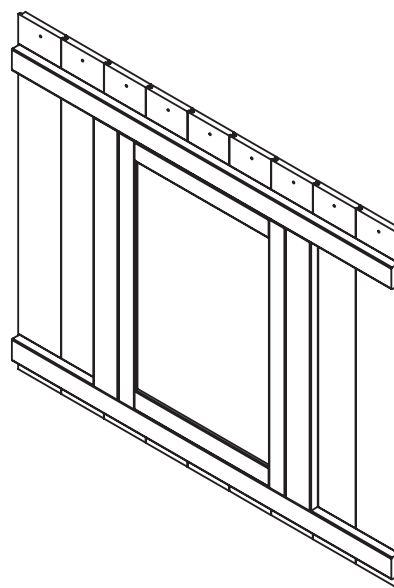
(Y70229-2421)

2pc. (2423) - Shed Side Wall Bottom Panel - 1165.5 mm (45-7/8")
- FSC



(Y70229-2423)

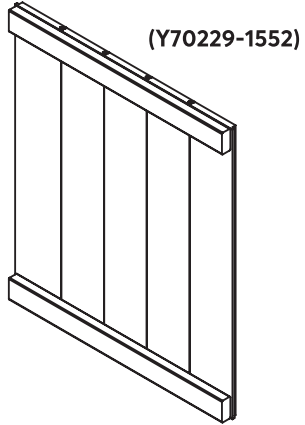
2pc. (2424) - Shed Side Wall Top Panel - 1165.5 mm (45-7/8")
- FSC



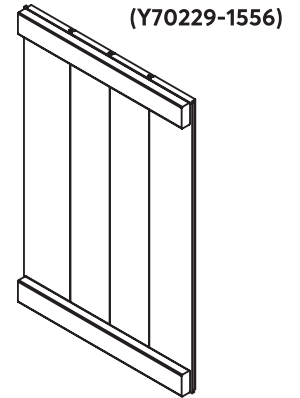
(Y70229-2424)

Part Identification (Dimensions are approximate and are shown to assist in the identification of parts) for assembly. Actual dimensions may be smaller or larger.

2pc. (1552) - F/B Panel - 762 mm (30")
- FSC

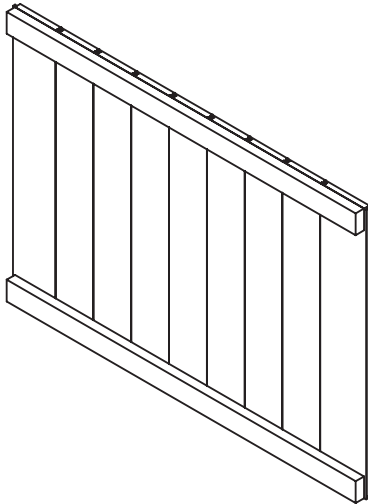


2pc. (1556) - Side Wall Middle Panel
- 762 mm (30") - FSC



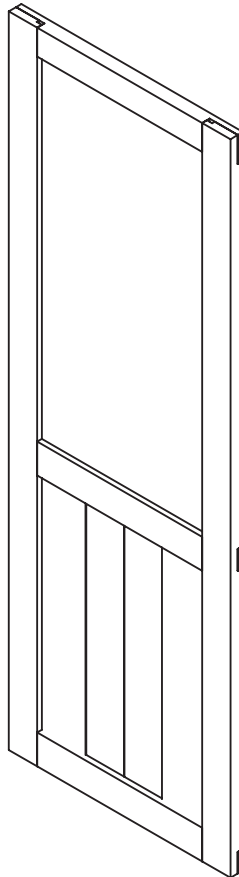
2pc. (1152) - Side Wall Panel
- 762 mm (30") - FSC

(Y70229-1152)



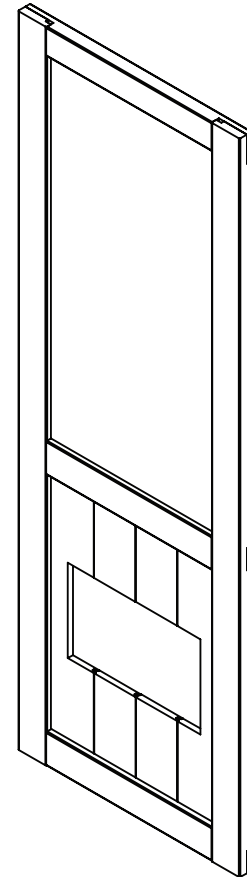
1pc. (1175) - Door Panel
- 1943.1 mm (76-1/2") - FSC

(Y70218-1175)



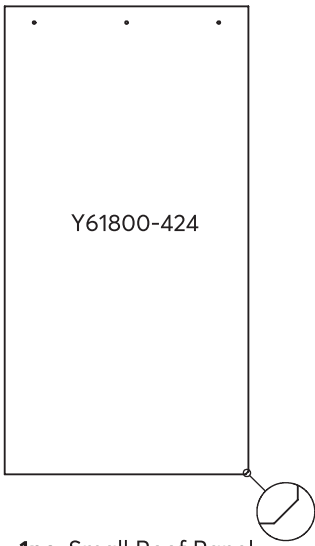
1pc. (2428) - Door Panel
- 1943.1 mm (76-1/2") - FSC

(Y70218-2428)



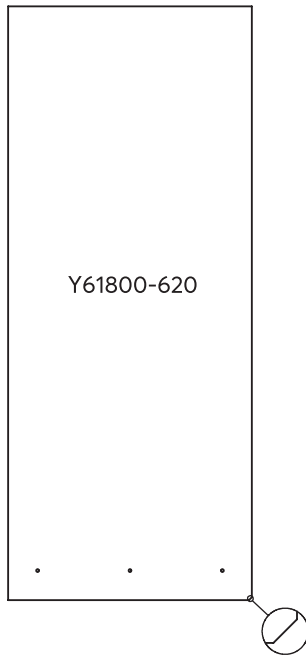
Part Identification (Dimensions are approximate and are shown to assist in the identification of parts) for assembly. Actual dimensions may be smaller or larger.

1pc. Side Wall Panel
(6pk) **Y70800-632**



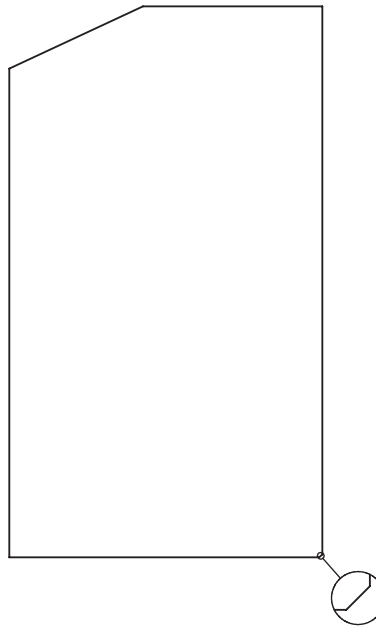
Y61800-424

1pc. Roof Panel
(4pk) **Y70800-1392**

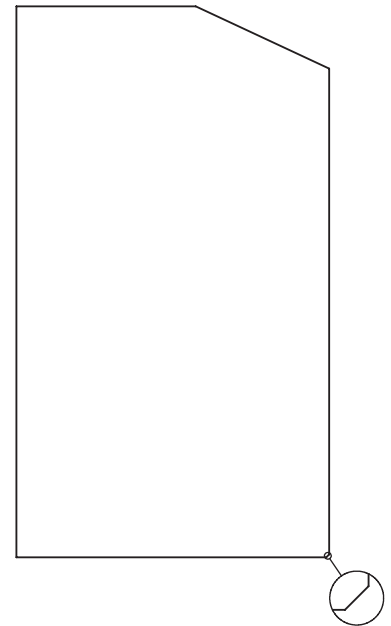


Y61800-620

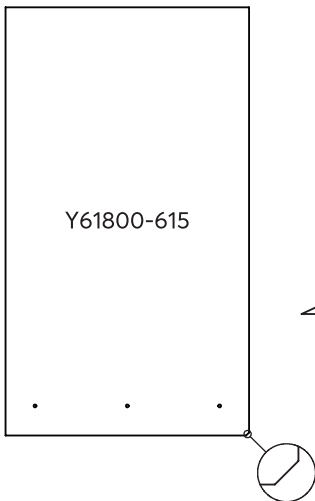
1pc. Left F/B Side Panel
Y61800-616



1pc. Right F/B Side Panel
Y61800-617

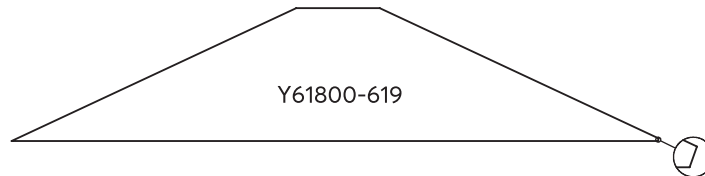


1pc. Small Roof Panel
(2pk) **Y70800-1388**



Y61800-615

1pc. Gable Panel (2pk)
Y70800-619



Y61800-619



3pc. Silicone Clear (300 ml Tube)
Y90100-002



3pc.
3/8" Eye Lag
(Y00218-842)

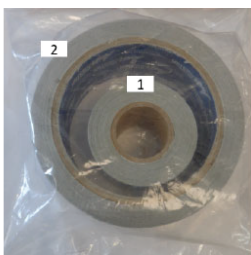
1pc. EPDM washer (36pk)
Y70812-630



Y05912-444



1pc. Gazebo ID Plaque
Y70800-104



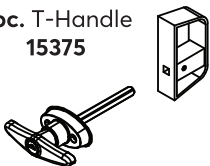
1pc. Tape Set Y70812-627
1-Top application
Y20012-628
2-Bottom application
Y20012-629

3pc. 3" Square Hinge (3pk)
Y70818-439



Y00418-439

2pc. T-Handle
15375

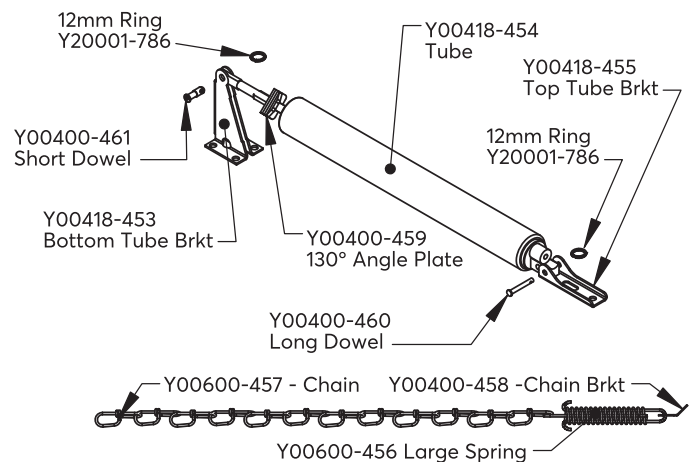


1pc. Corner Bracket (21pk)
Y70829-1368



Y00429-435

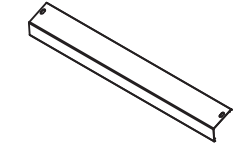
2pc. Door Closer with Chain - Black
Y70818-441



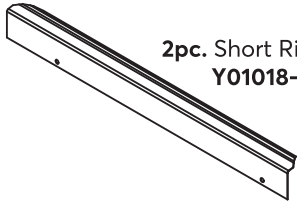
Part Identification (Dimensions are approximate and are shown to assist in the identification of parts) for assembly. Actual dimensions may be smaller or larger.

2pc. Shed Roof Edge
Y01018-1162

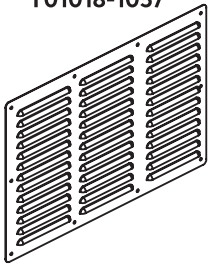
2pc. Roof Edge
Y01018-1163



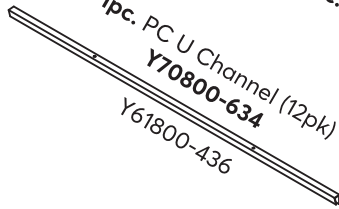
2pc. Short Ridge Clip
Y01018-1161



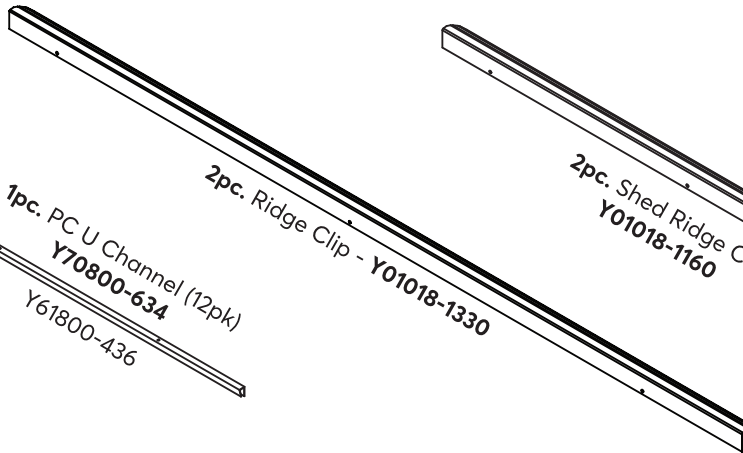
1pc. Aluminum Vent
Y01018-1057



1pc. PC U Channel (12pk)
Y70800-634
Y61800-436



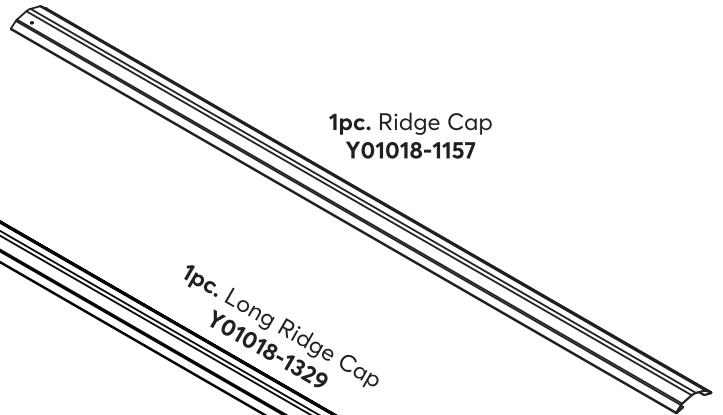
2pc. Ridge Clip - Y01018-1330



2pc. Shed Ridge Clip
Y01018-1160

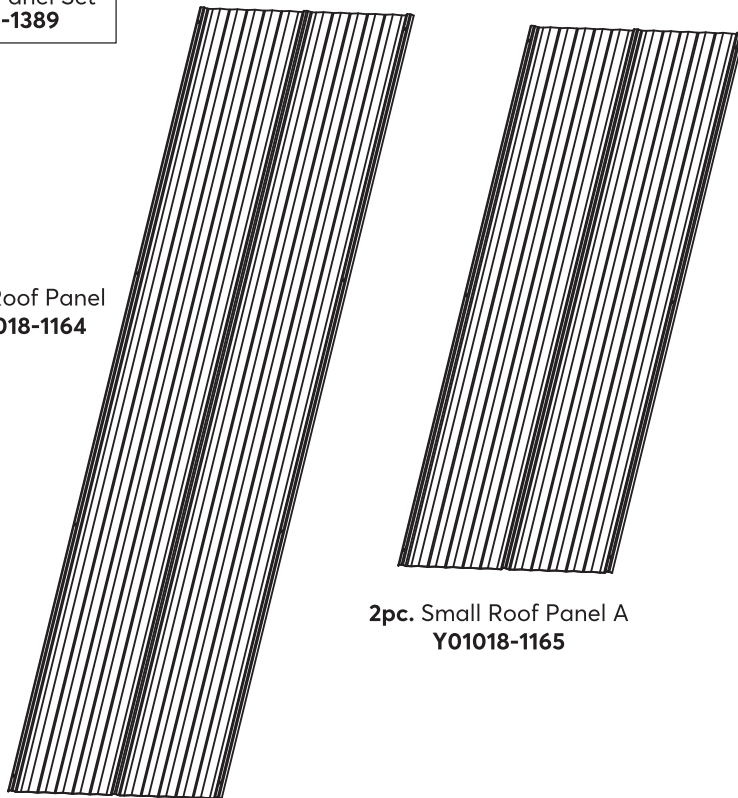


1pc. Ridge Cap
Y01018-1157



1pc. Long Ridge Cap
Y01018-1329

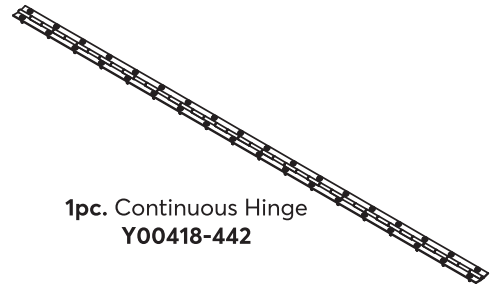
1pc. Roof Panel Set
Y70818-1389



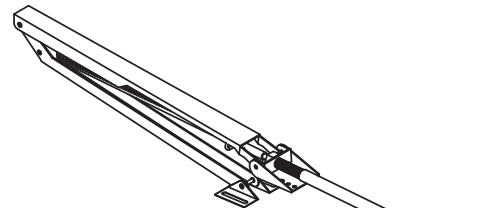
6pc. Roof Panel
Y01018-1164

2pc. Small Roof Panel A
Y01018-1165

1pc. Continuous Hinge
Y00418-442



1pc. Aluminum Single Spring
Window Opener
Y01012-443



Hardware Identification (Dimensions are approximate and are shown to assist in the identification of parts for assembly. Actual dimensions may be smaller or larger.)

52pc. **(S39)** - Wood Screw #7 x 3/4" - (Y06018-003)



22pc. **(S1)** - Wood Screw #8 x 1-1/8" (Y06018-514)



163pc. **(S14)** - Wood Screw #8 x 1-1/4" - (Y06091-511)



2pc. **(SM0)** - Sheet Metal Screw #8 x 3/4" (Y06418-503)



46pc. **(S11)** - Wood Screw #8 x 2" - (Y06091-520)



48pc. **(R0)** - Hex Roofing Screw #8 x 1" (Y06718-510)



28pc. **(S3)** - Wood Screw #8 x 2-1/2" - (Y06091-522)



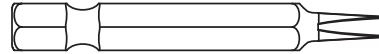
117pc. **(S4)** - Wood Screw #8 x 3" - (Y06091-530)



8pc. **(S21)** - Wood Screw #8 x 3-1/2" - (Y06091-532)



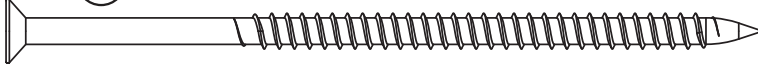
1pc. #2 x 2" Robertson Driver - (Y00400-005)



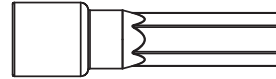
1pc. 1/8" Drill Bit (Y00400-002)



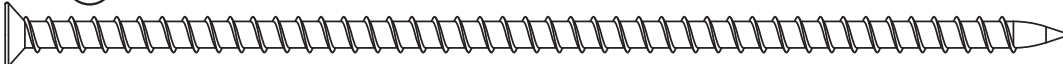
117pc. **(S24)** - Wood Screw #10 x 4" - (Y06091-740)



1pc. Hex Driver - (Y00400-004)



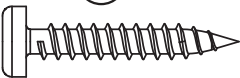
10pc. **(S43)** - Wood Screw #10 x 5-5/8" - (Y06091-758)



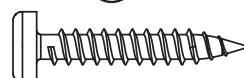
44pc. **(S5)** - Pan Screw #8 x 1/2" - (Y06418-502)



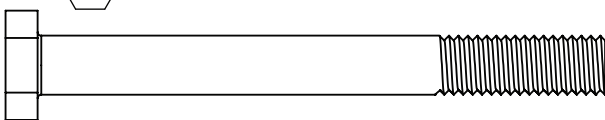
56pc. **(S12)** - Pan Screw #10 x 1-1/4" - Black - (Y06418-711)



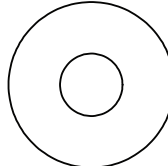
46pc. **(S12)** - Pan Screw #10 x 1-1/4" - Yellow - (Y06491-711)



2pc. **(G10)** - Hex Bolt 5/16 x 3" - (Y07718-330)



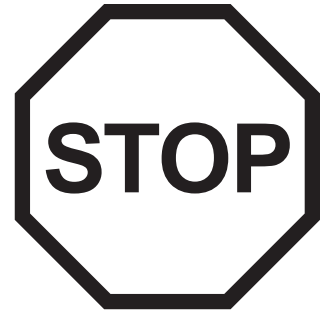
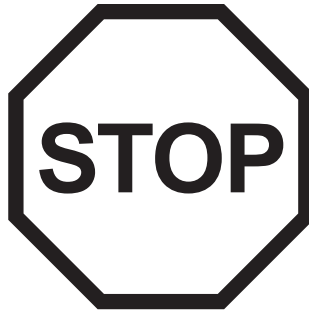
6pc. **(FW2)** - 5/16" Flat Washer (Y05118-203)



2pc. **(LN2)** - 5/16" Lock Nut (Y08318-303)



Step 1: Inventory Parts - Read This Before Starting Assembly



- A.** This is the time for you to inventory all your hardware, wood and accessories, referencing the parts identification sheets. This will assist you with your assembly.
- Each step indicates which bolts and/or screws you will need for assembly, as well as any flat washers, lock washers, t-nuts or lock nuts.
- B.** If there are any missing or damaged pieces or you need assistance with assembly please contact the consumer relations department directly. Call us before going back to the store.

1-888-509-4382

Regular Hours: Mon - Fri, 8:30 am - 5:00 pm EST (excl. holidays)
English and French Spoken

support@yardistrystructures.com

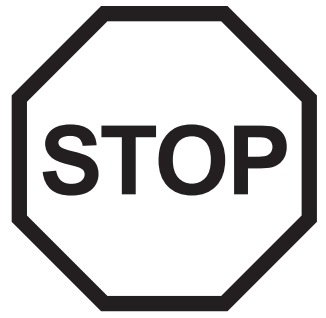
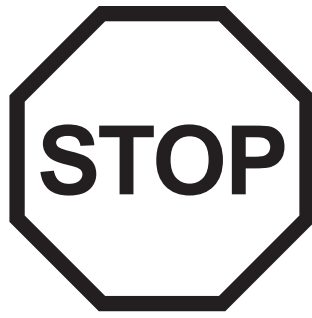
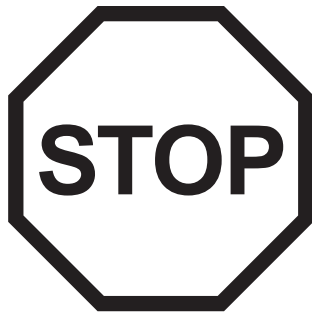
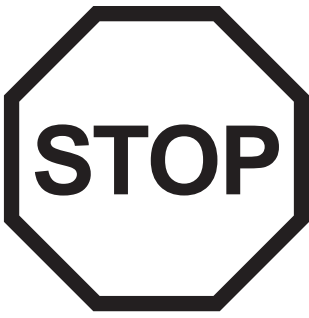
- C.** Read the assembly manual completely, paying special attention to ANSI warnings; notes; and safety/maintenance information on pages 2 - 5.
- Follow the instructions in order.
 - This structure is designed to be assembled and installed ideally by four people, DO NOT attempt to install alone.
 - Consider the slope of elevation where you plan to install the structure. Also, check for gas, telephone, other utilities or sprinkler line locations prior to excavating any holes.
- D.** Before you discard your cartons fill out the form below.
- The carton I.D. stamp is located on the end of each carton.
 - Please retain this information for future reference. You will need this information if you contact the Consumer Relations Department.

PRODUCT NUMBER: YM12670

CARTON I.D. STAMP: __ __ __ __ __ 14459 __ (Box 1)

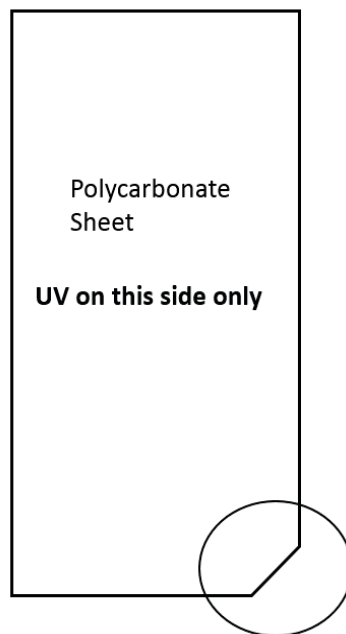
CARTON I.D. STAMP: __ __ __ __ __ 14459 __ (Box 2)

CARTON I.D. STAMP: __ __ __ __ __ 14459 __ (Box 3)

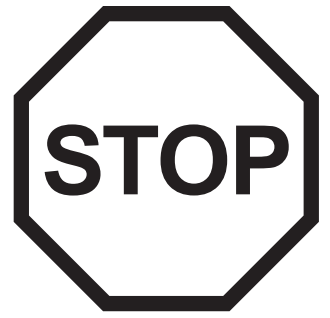
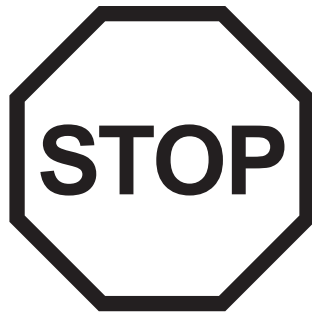
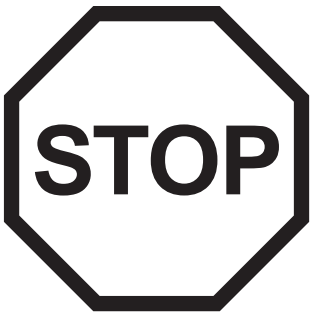


IMPORTANT! POLYCARBONATE INFORMATION

- Each polycarbonate panel has a UV coating on only ONE (1) side of the panel.
- To install properly so the UV coating is on the outside of the panel, the notch in the panel needs to be oriented to the bottom right-hand side of the assembly when on the outside facing the unit.



- Remove film immediately before installing tape to prevent damage to the panels.



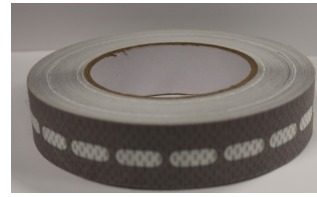
IMPORTANT! TAPE INFORMATION

- Two (2) different tapes are supplied. One for the top of the panels and one for the bottom.

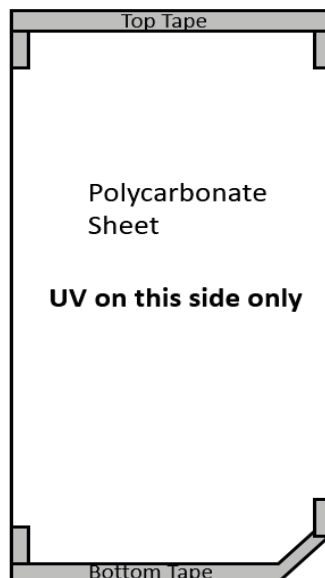
Top



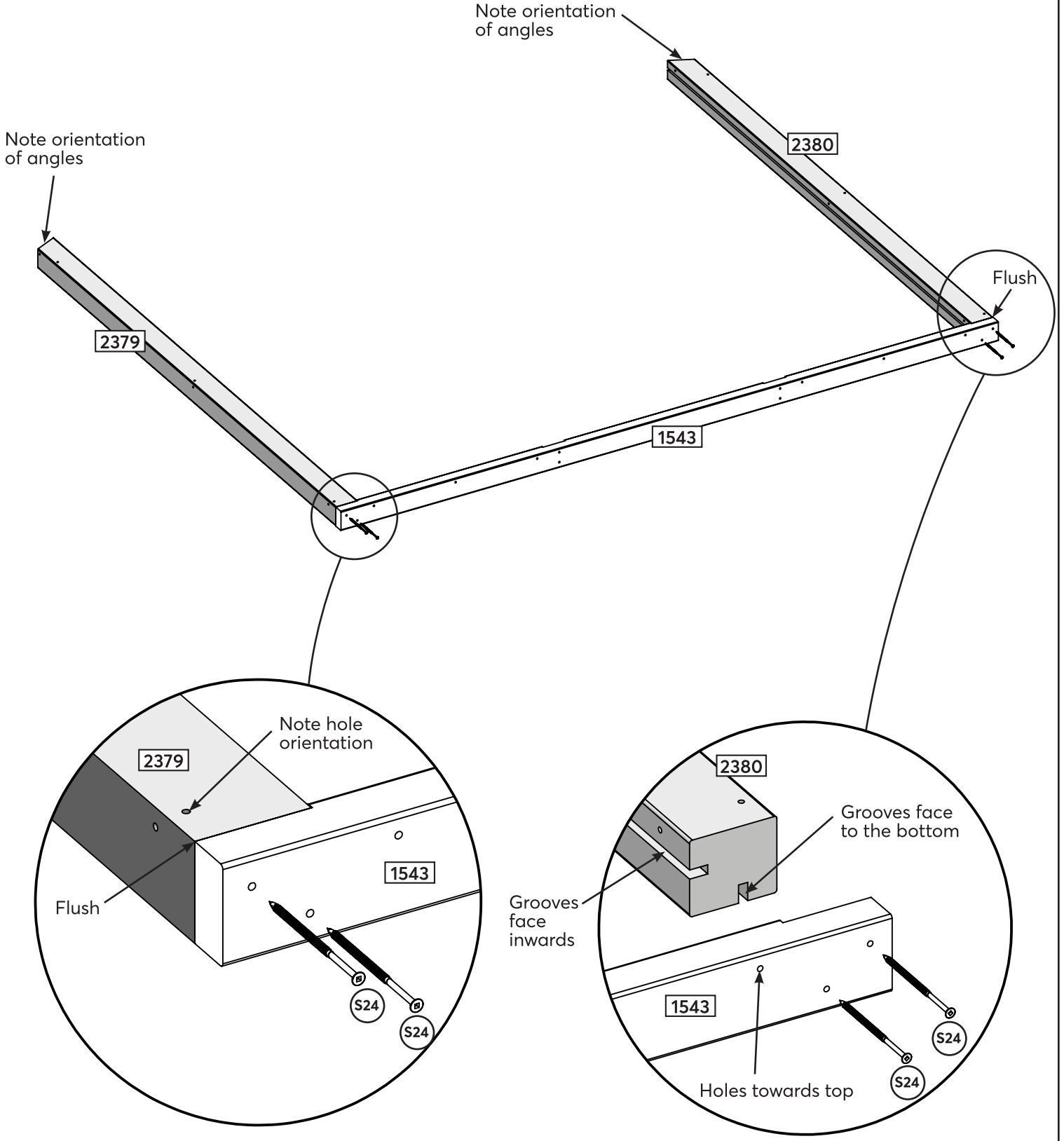
Bottom



- Do NOT apply tape in direct sunlight.
- All surfaces must be clean and dry before installing the tape.
- Tape should be cut 5.08 cm (2 in) longer than the width of the panel so it wraps around the corners and up the panel by 2.54 cm (1 in) on each side.
- Remove the backing on the tape, center it on the polycarbonate panel so it is equal on both sides. Fold the tape around the edges and rub gently to avoid damaging the tape.



2 Back Wall Assembly



Wood Parts

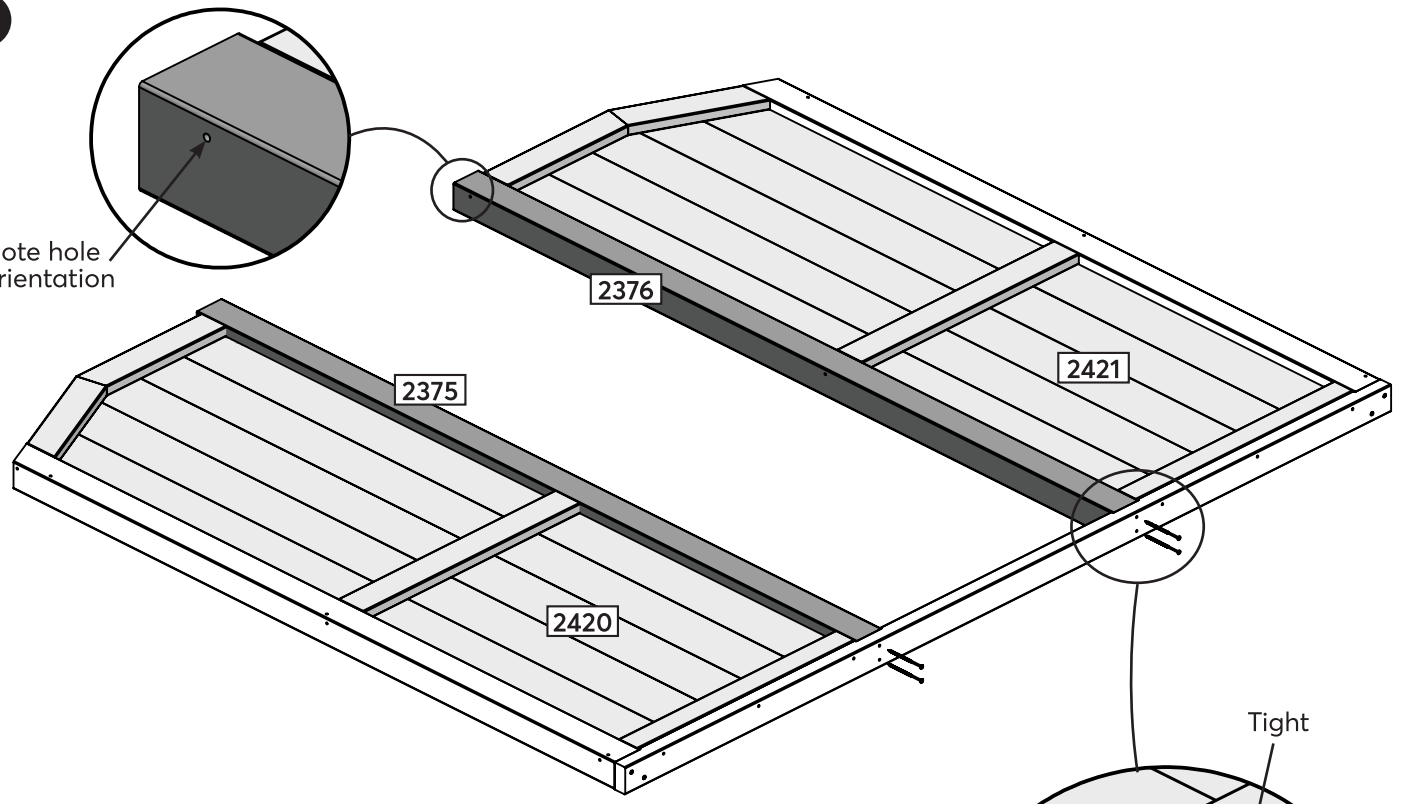
- 1 x 1543
- 1 x 2379
- 1 x 2380

Hardware

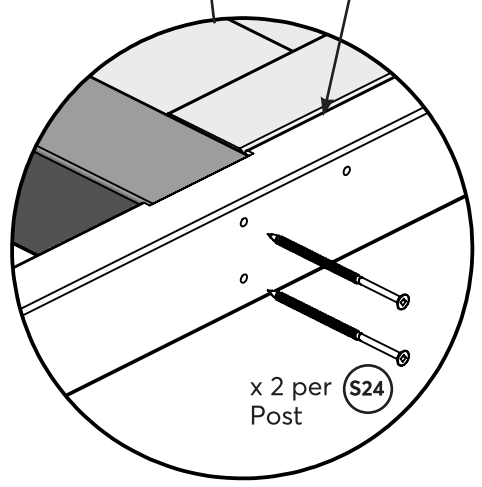
- 4 x S24

3

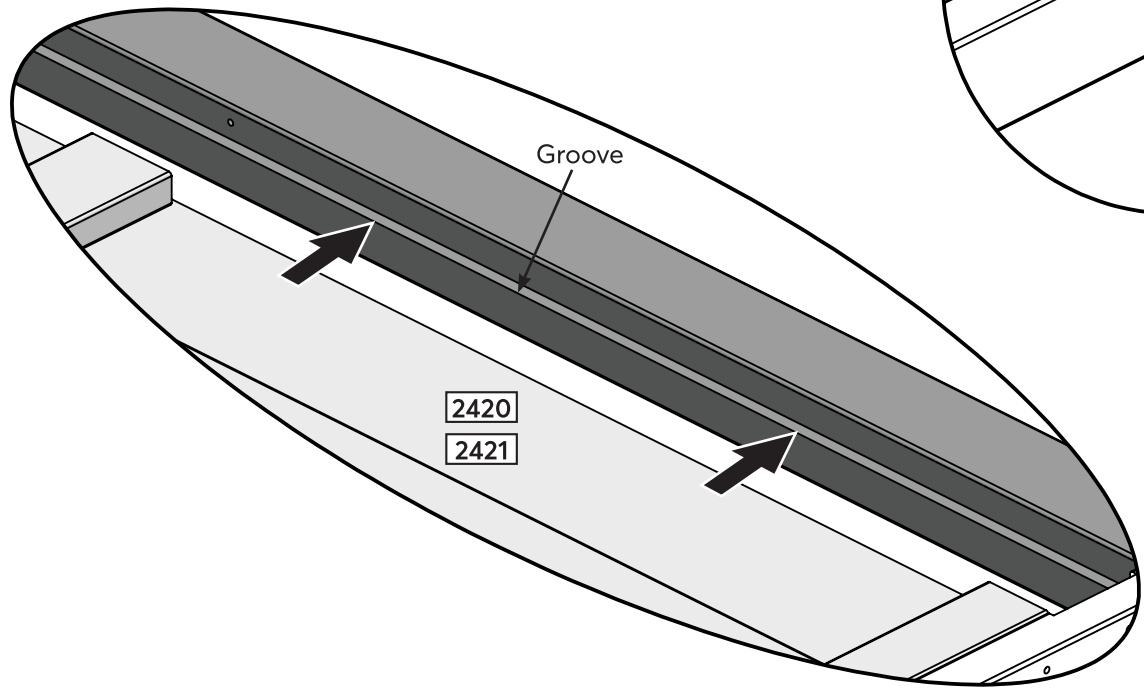
Note hole orientation



Tight



x 2 per Post (S24)



Groove

2420
2421

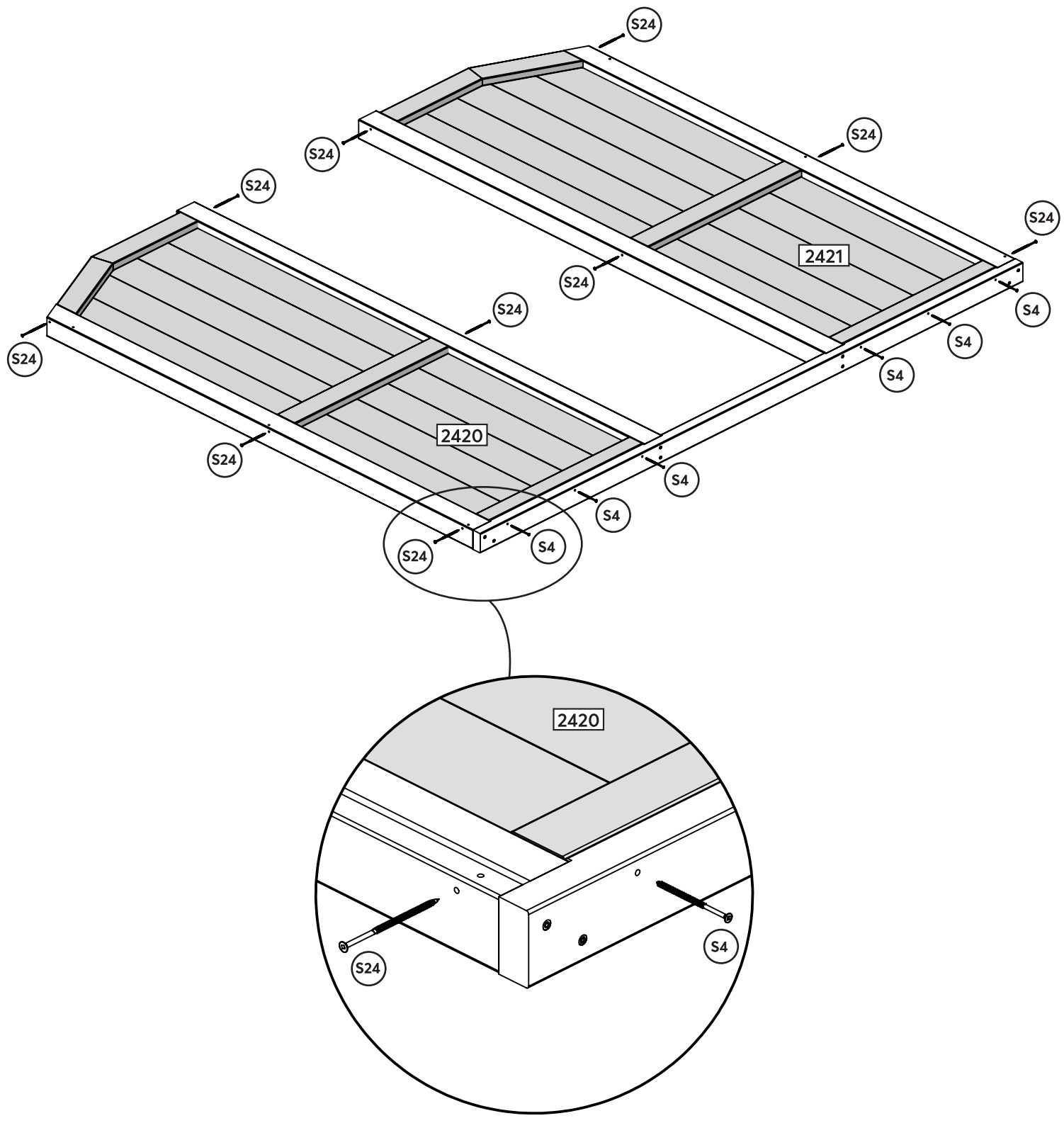
Wood Parts

- 1 x 2375 1 x 2420
- 1 x 2376 1 x 2421

Hardware

- 4 x (S24)

4

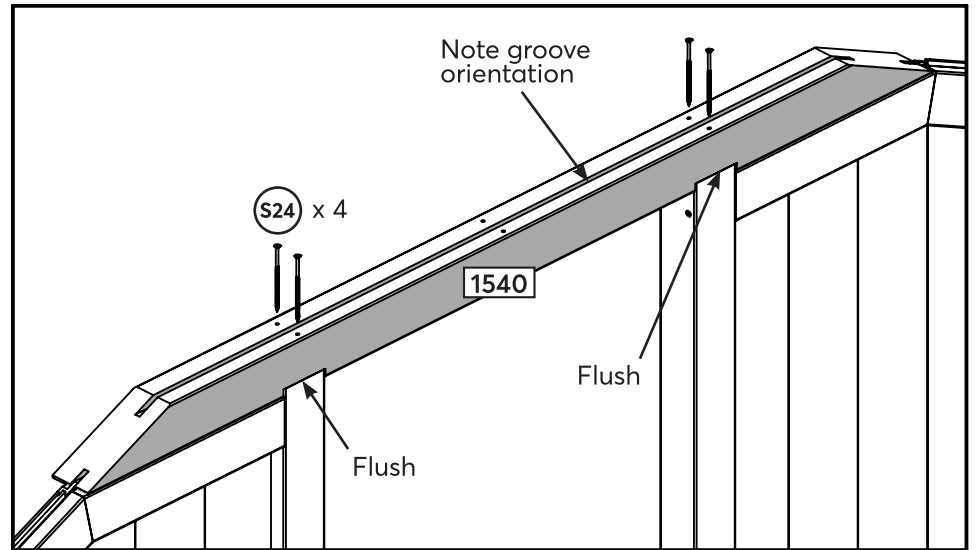
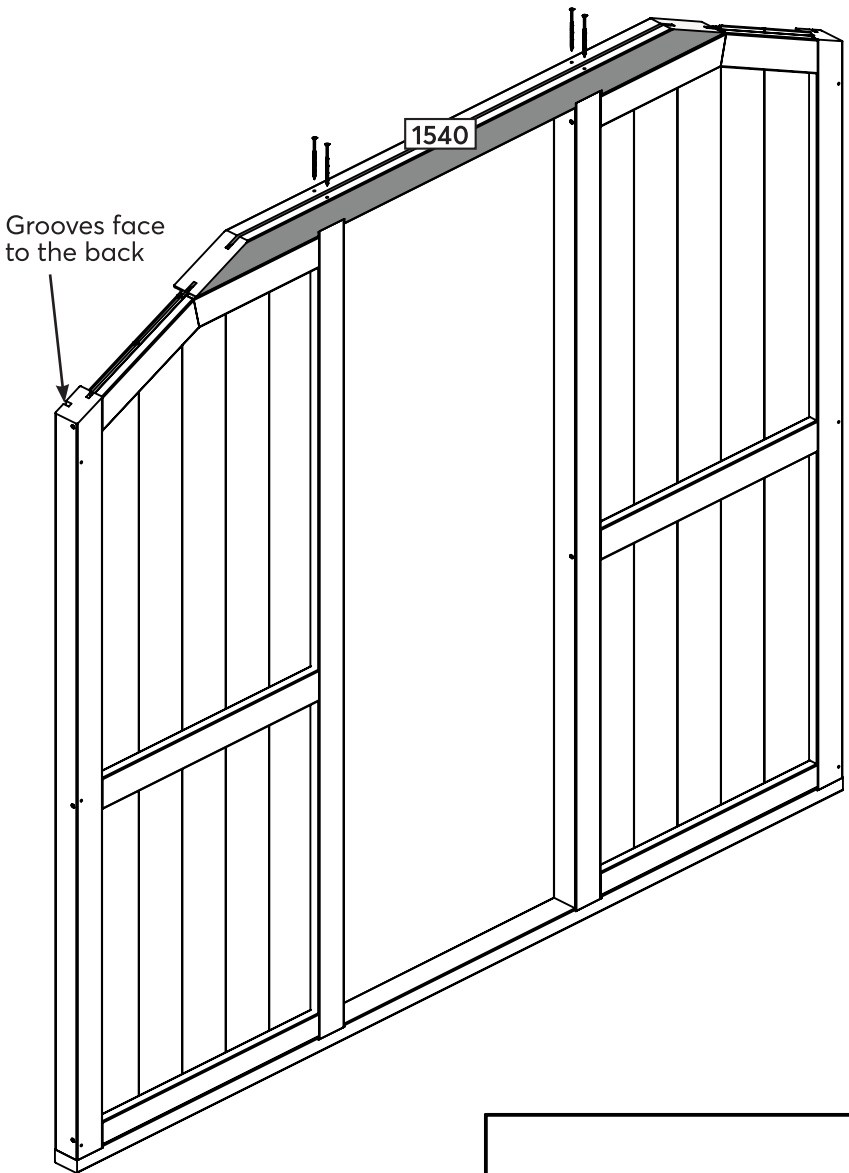


Hardware

10 x S24

6 x S4

5



Wood Parts

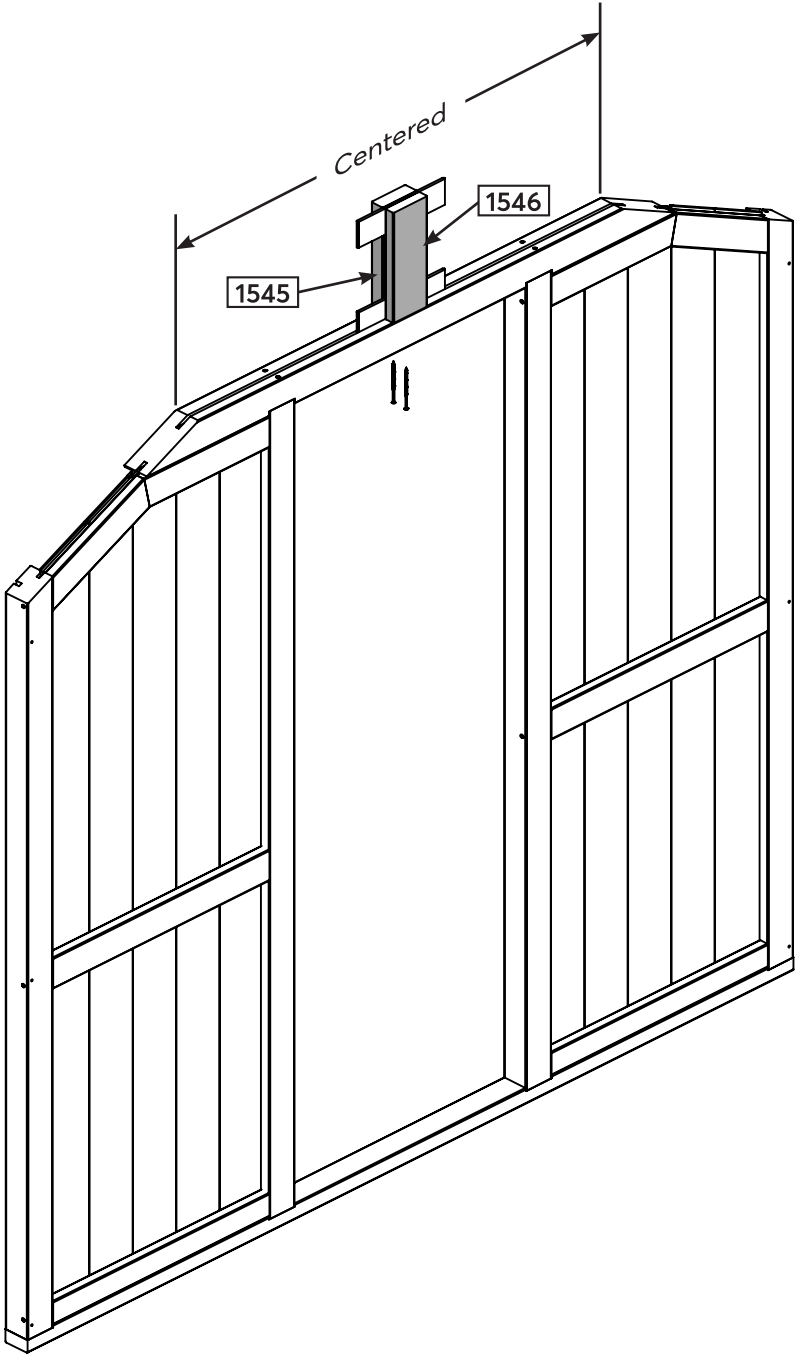
1 x 1540

Hardware

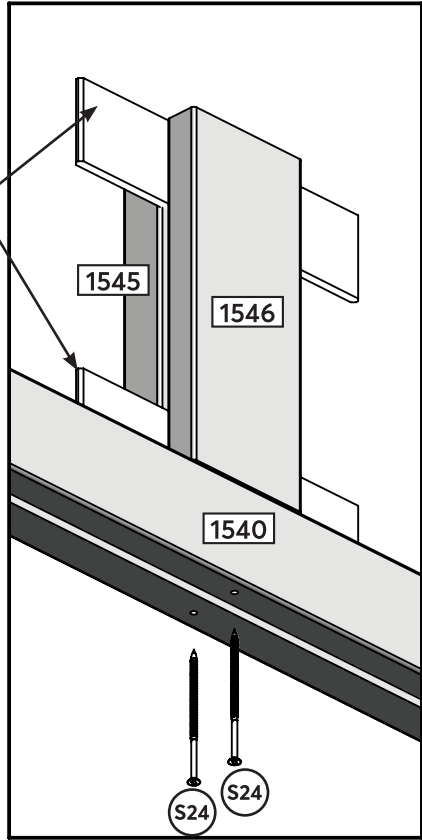
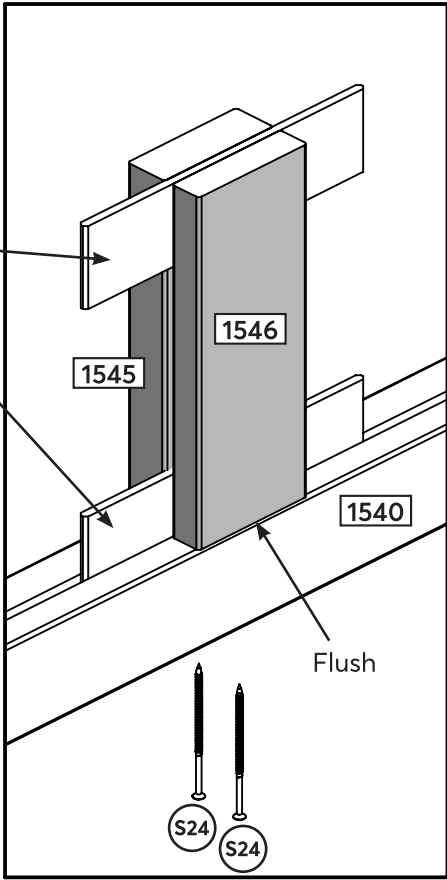
4 x S24

6

Guide Spacer (1188) to sit in grooves of 1545, 1546 and 1540 for proper alignment, then to be removed



Guide Spacer



Underneath View

Wood Parts

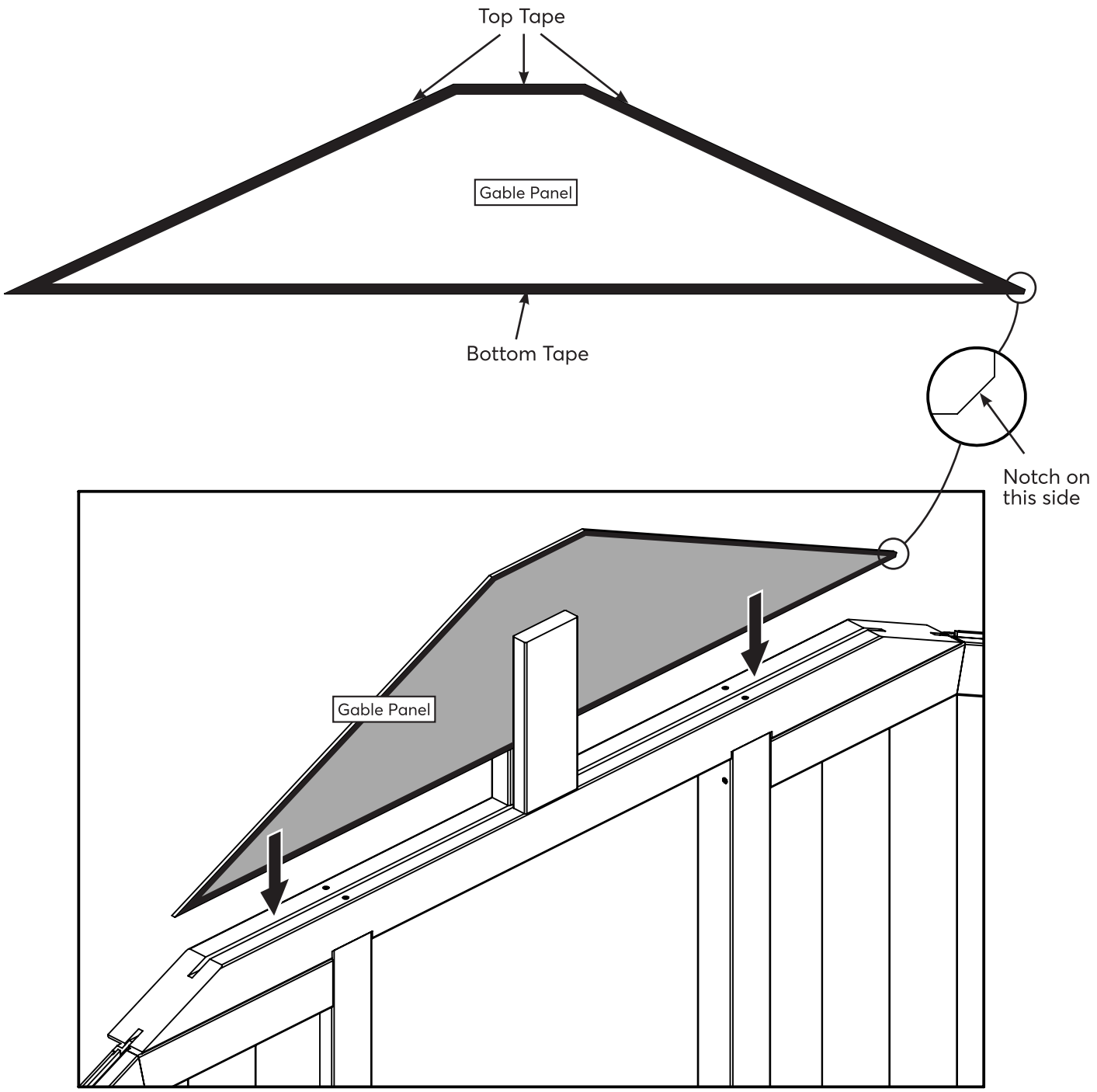
- 1 x 1545
- 1 x 1546
- 2 x 1188

Hardware

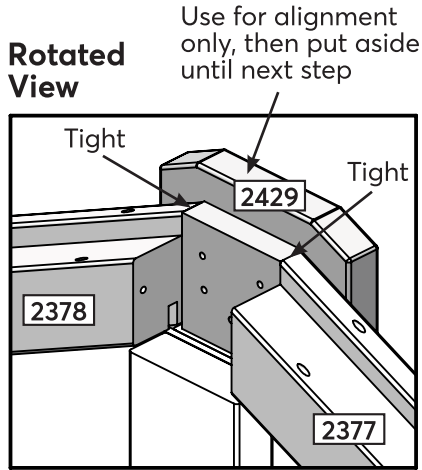
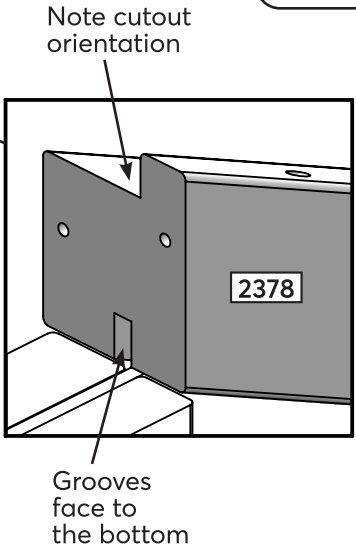
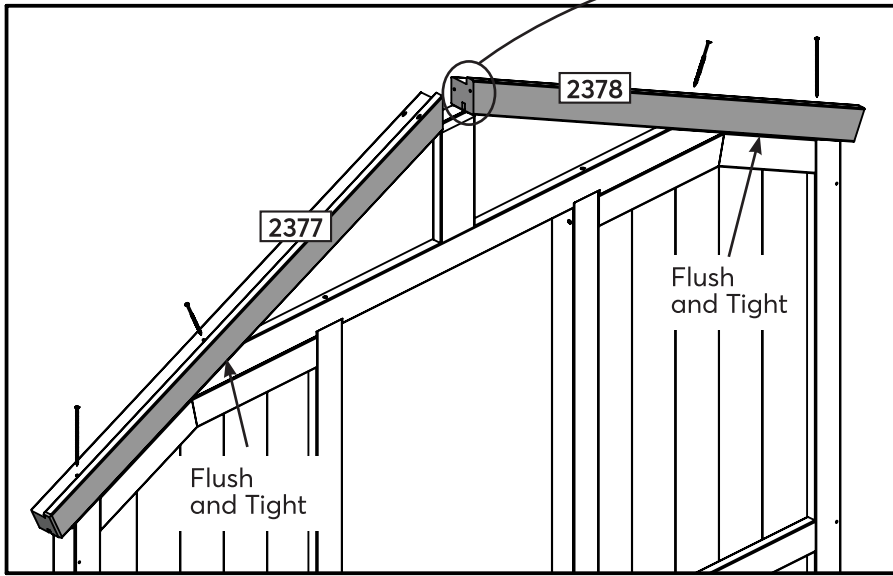
- 2 x S24

7

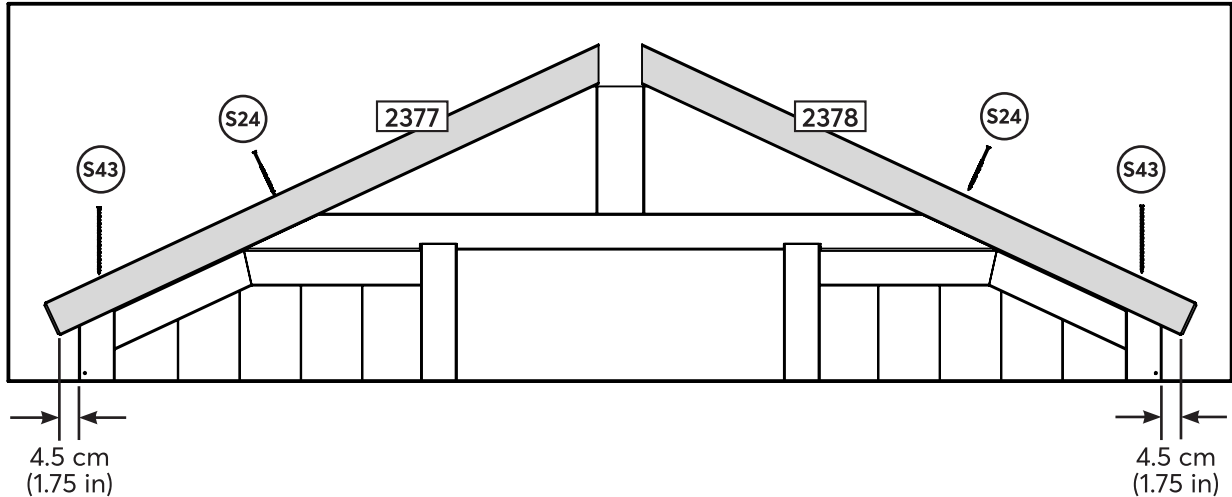
Remove film from both sides of Gable Panel.
Refer to pages 19 and 20 and apply top and bottom tape to Gable Panel.
Note: Notches always at the bottom right of each panel from the outside.
Note: UV Coating to the outside of the frame.



- Components**
- 1 x Gable Panel
 - 1 x Top Tape
 - 1 x Bottom Tape



Front View

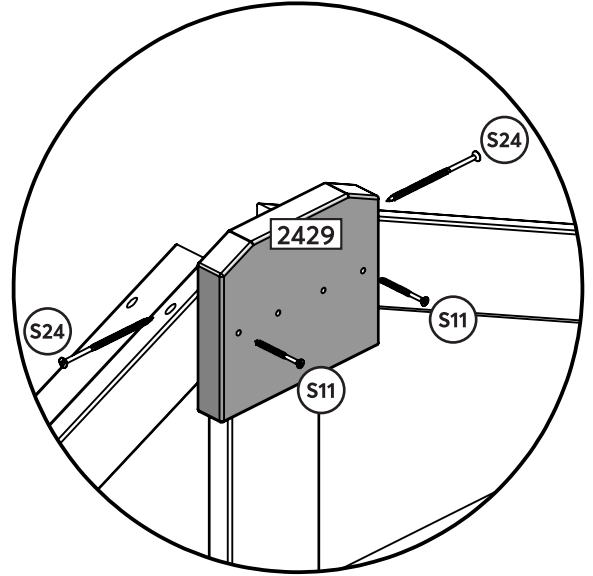
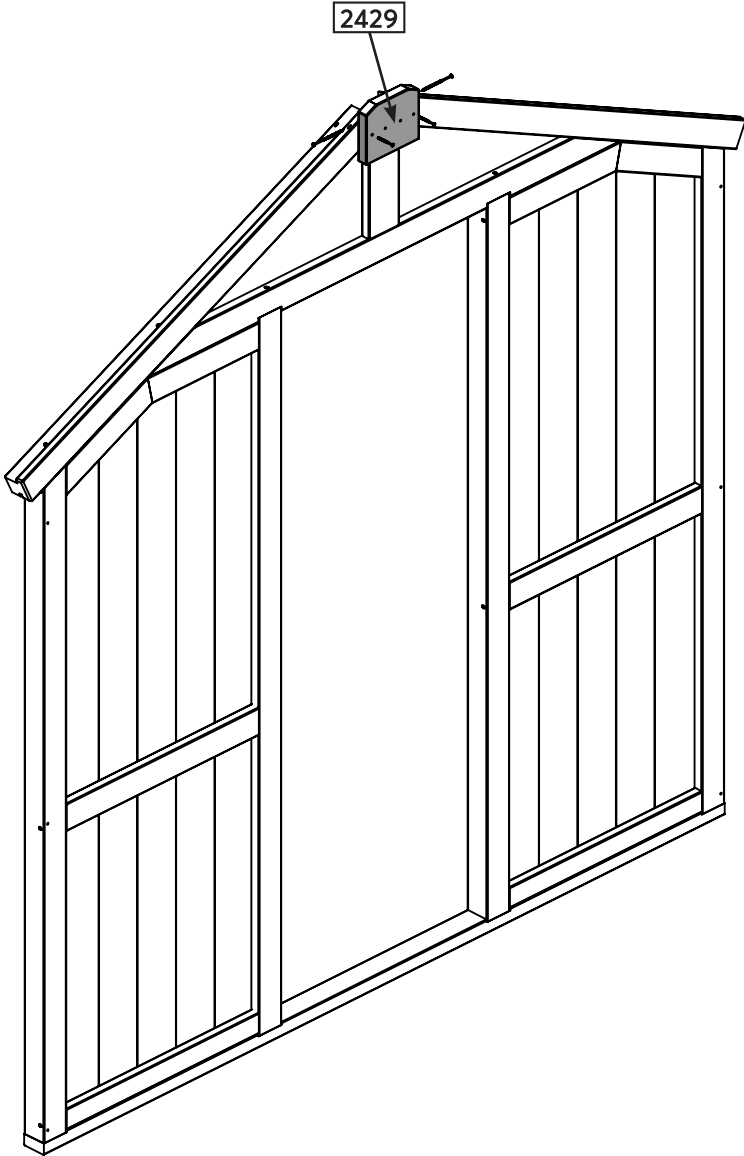


Wood Parts

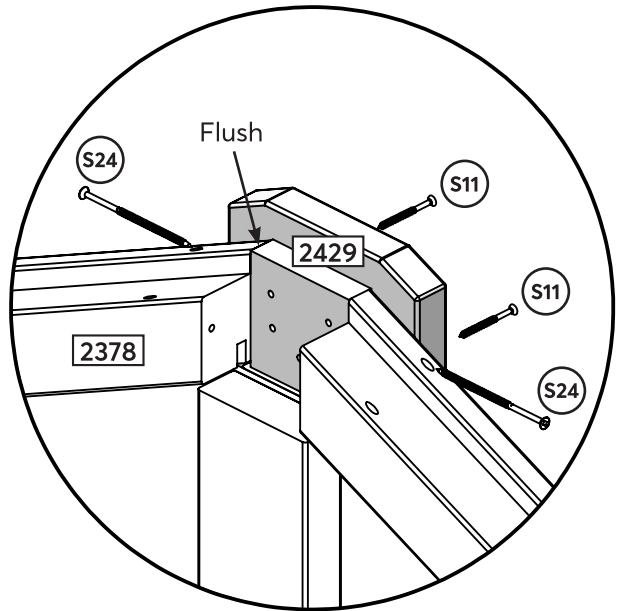
- 1 x 2377
- 1 x 2378

Hardware

- 2 x S24
- 2 x S43



Rotated View



Wood Parts

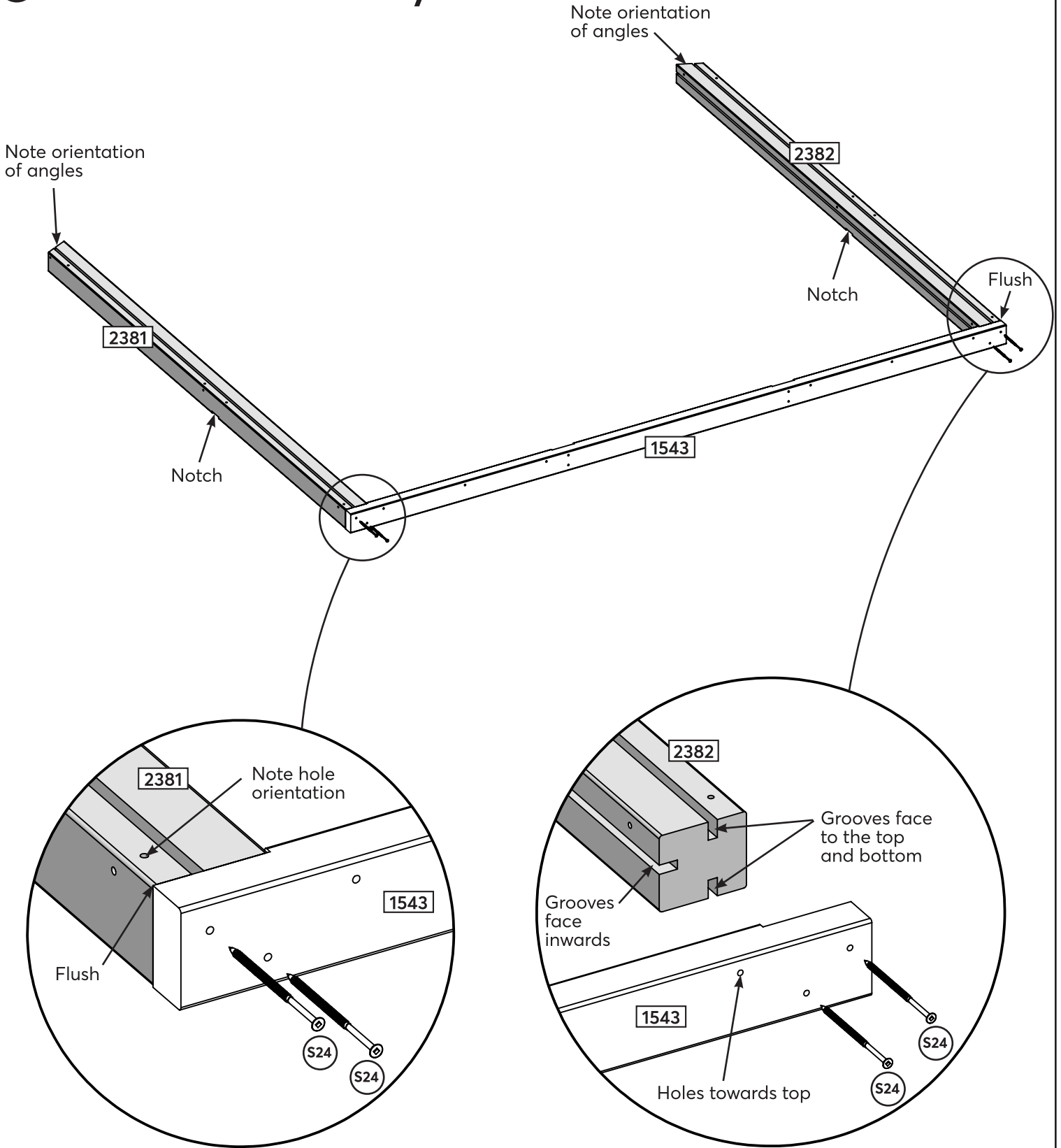
1 x **2429**

Hardware

2 x **S24**

2 x **S11**

10 Inside Wall Assembly



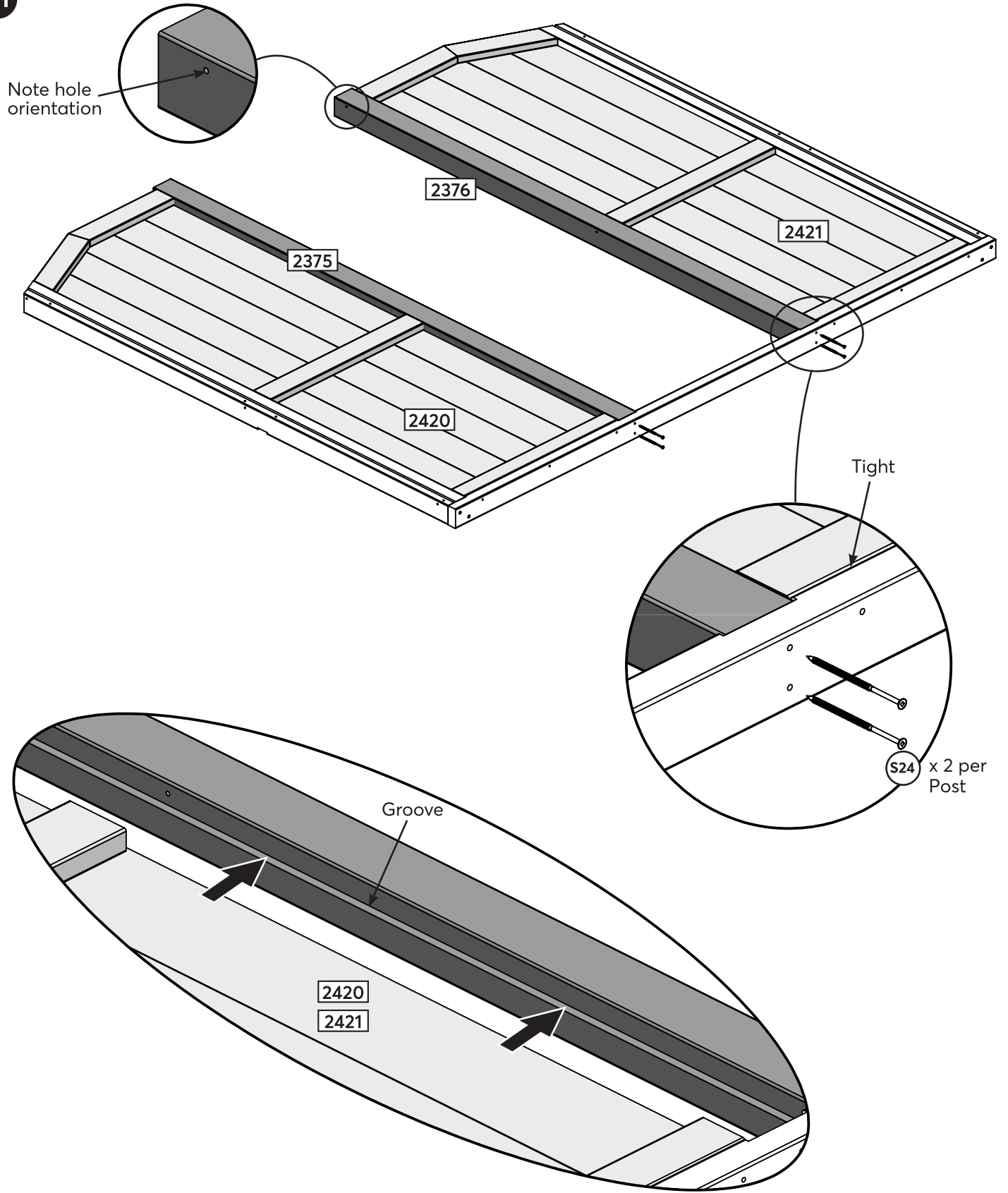
Wood Parts

- 1 x 2381
- 1 x 2382
- 1 x 1543

Hardware

- 4 x S24

11

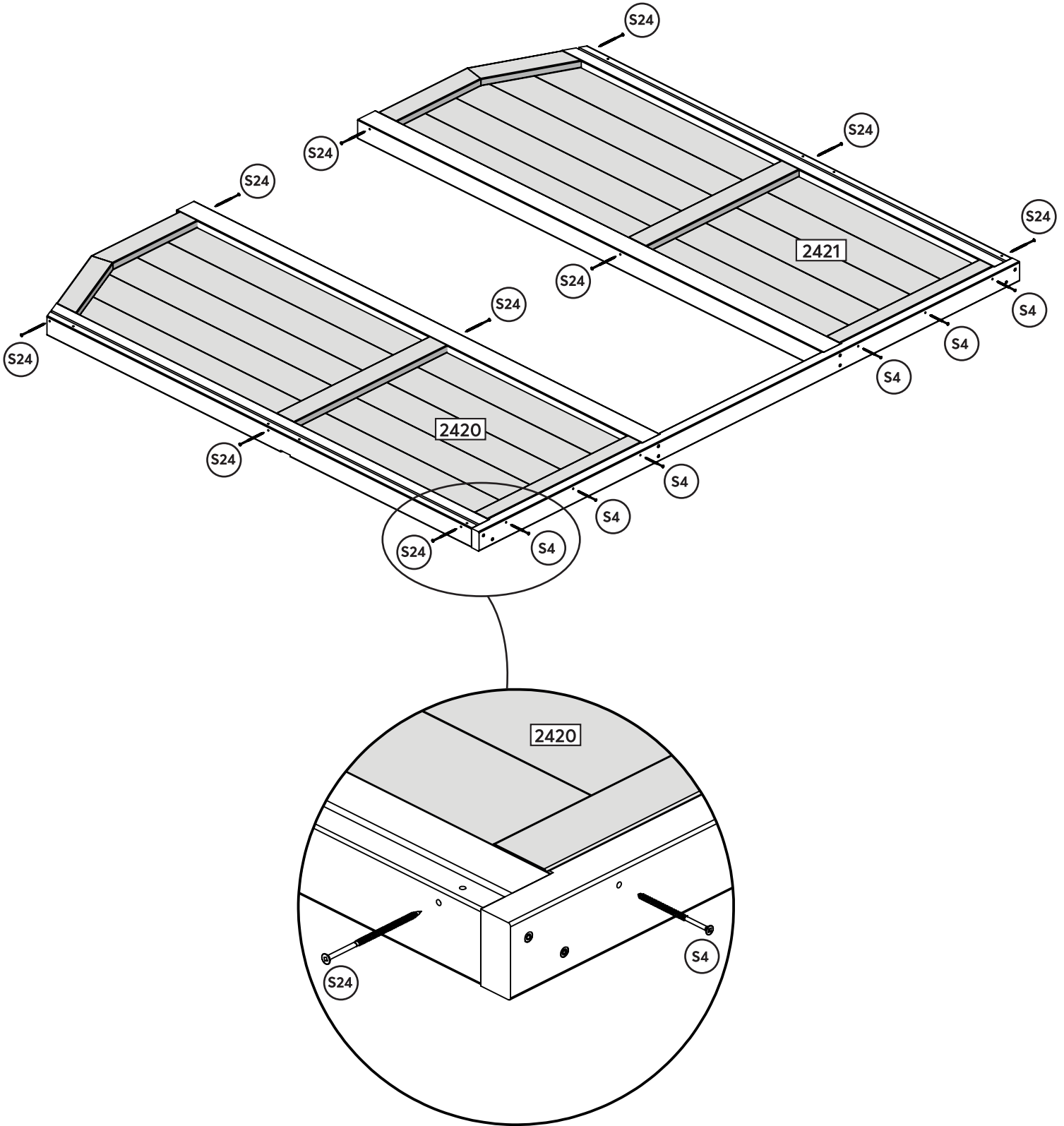


Wood Parts

- 1 x 2375 1 x 2420
- 1 x 2376 1 x 2421

Hardware

- 4 x S24

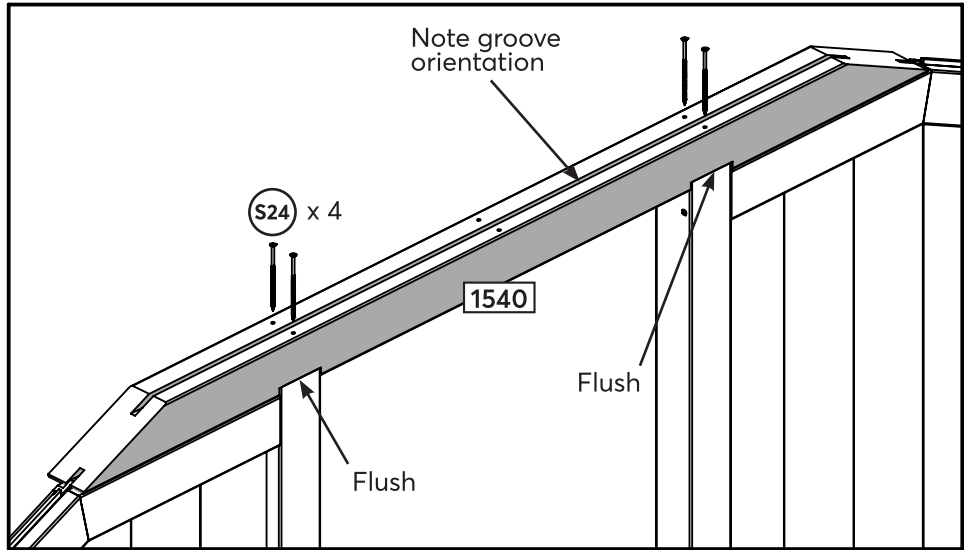
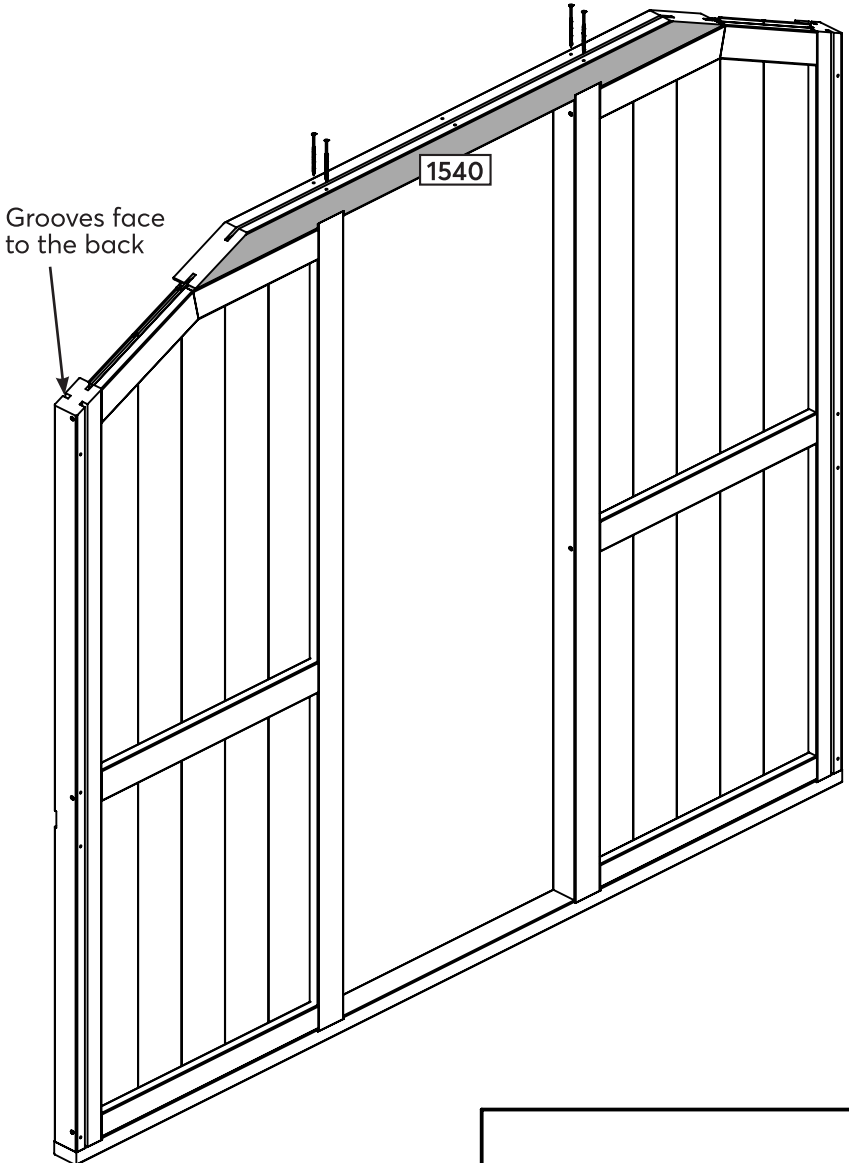


Hardware

10 x (S24)

6 x (S4)

13



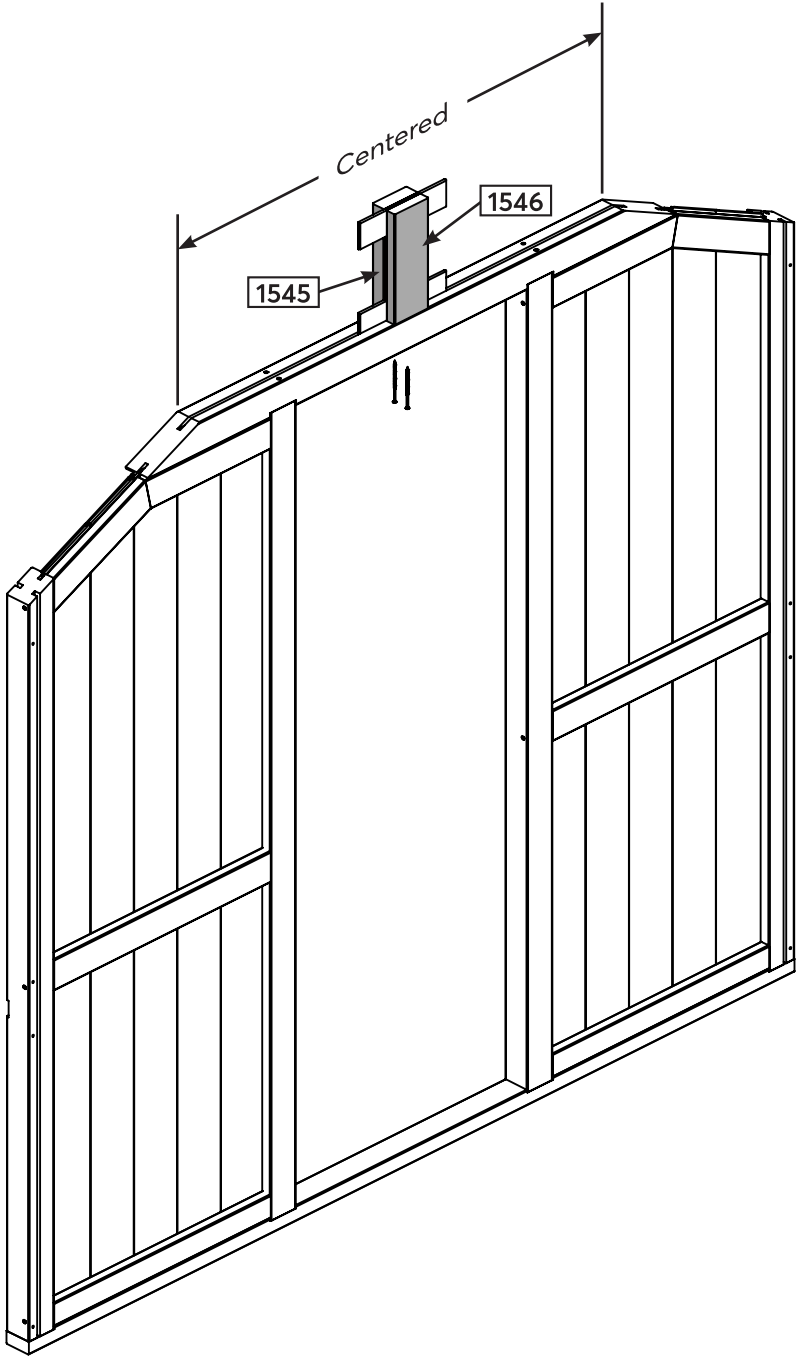
Wood Parts

1 x 1540

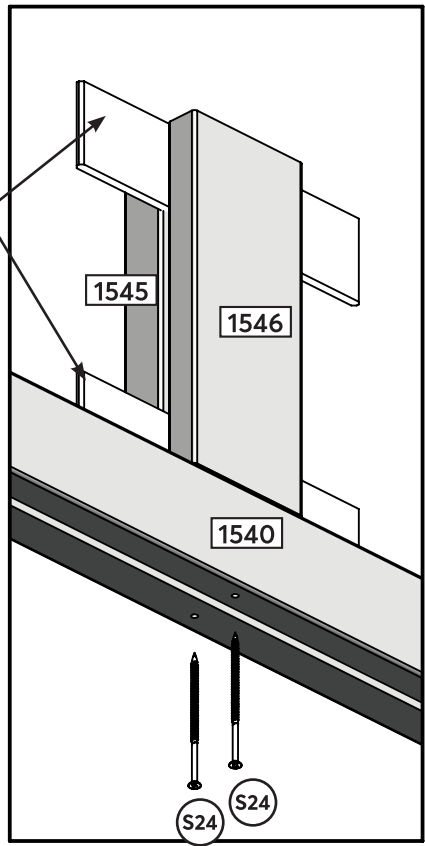
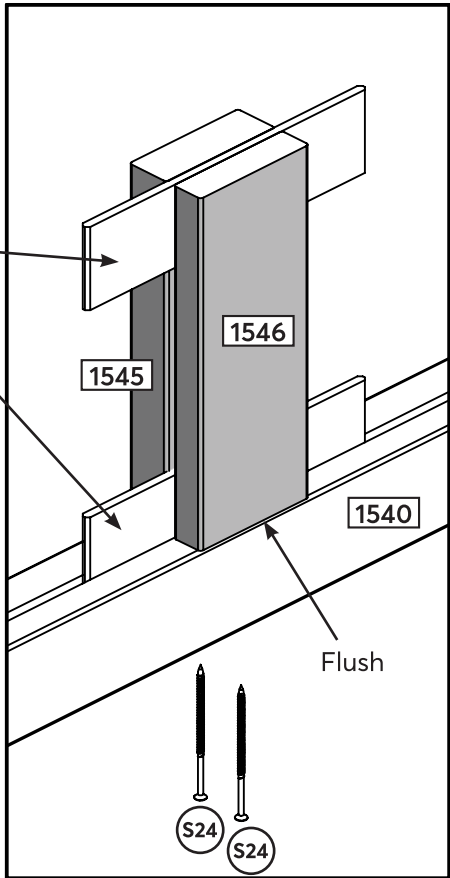
Hardware

4 x S24

Guide Spacer (1188) to sit in grooves of 1545, 1546 and 1540 for proper alignment, then to be removed



Guide Spacer



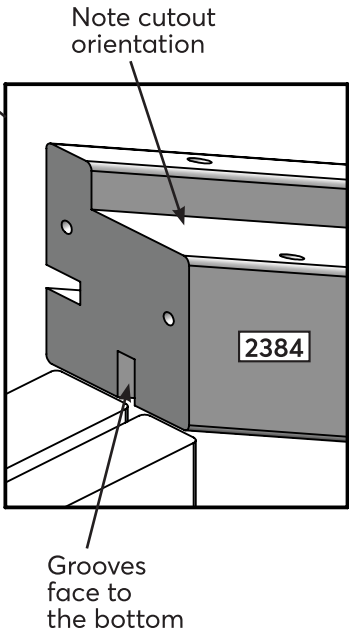
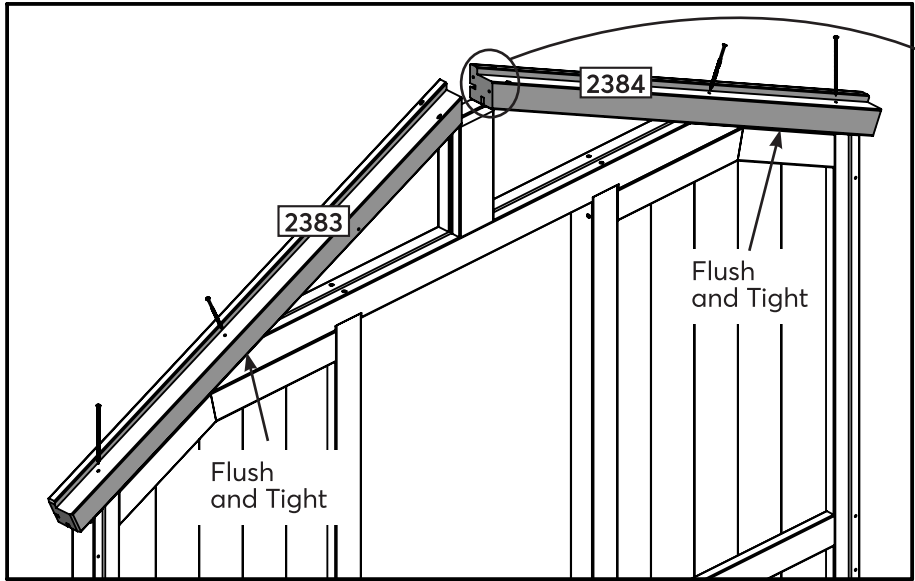
Underneath View

Wood Parts

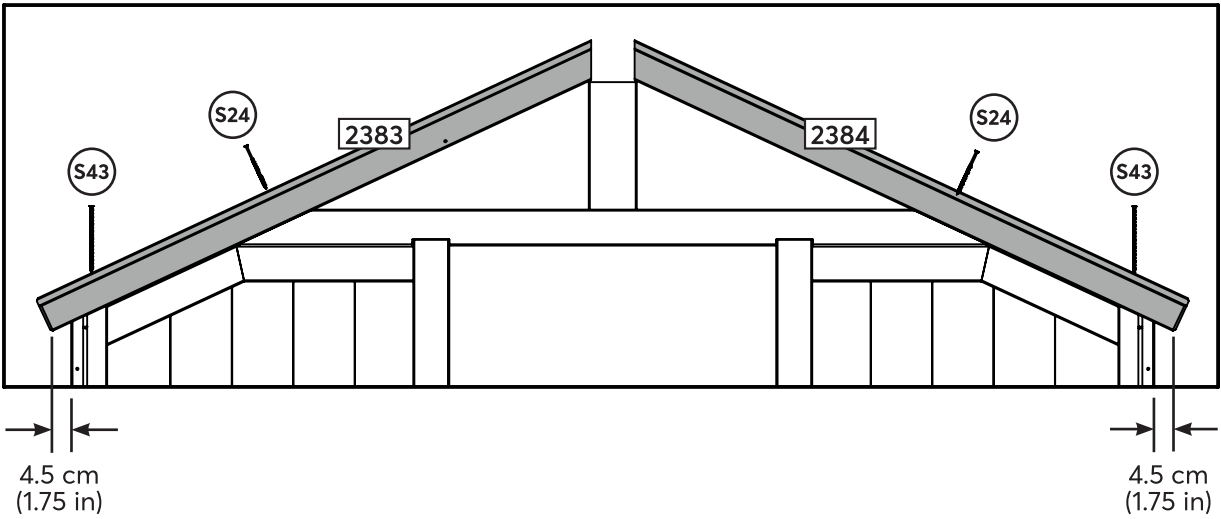
- 1 x 1545
- 1 x 1546

Hardware

- 2 x S24



Front View



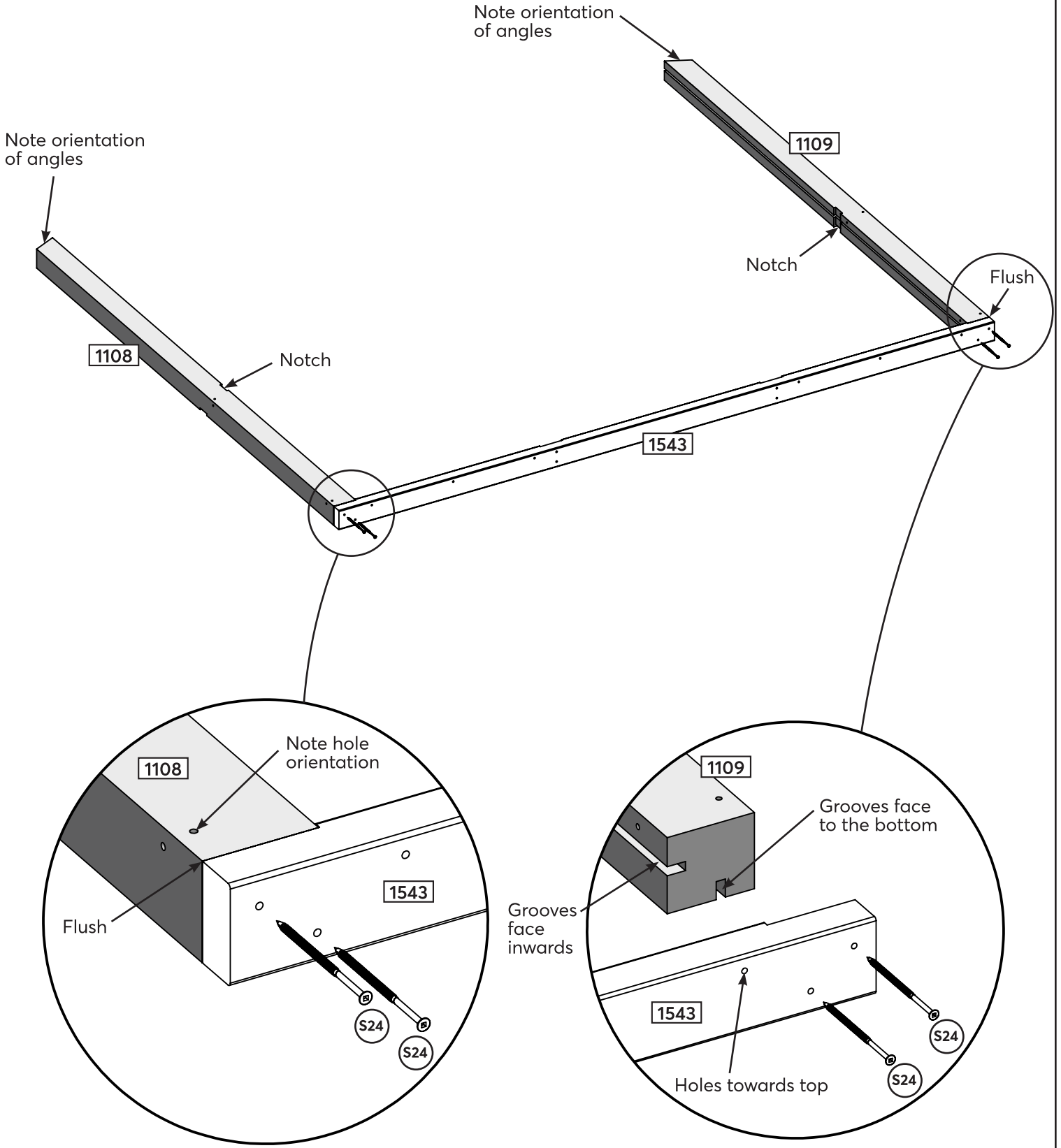
Wood Parts

- 1 x 2383
- 1 x 2384

Hardware

- 2 x S24
- 2 x S43

16 Front Wall Assembly

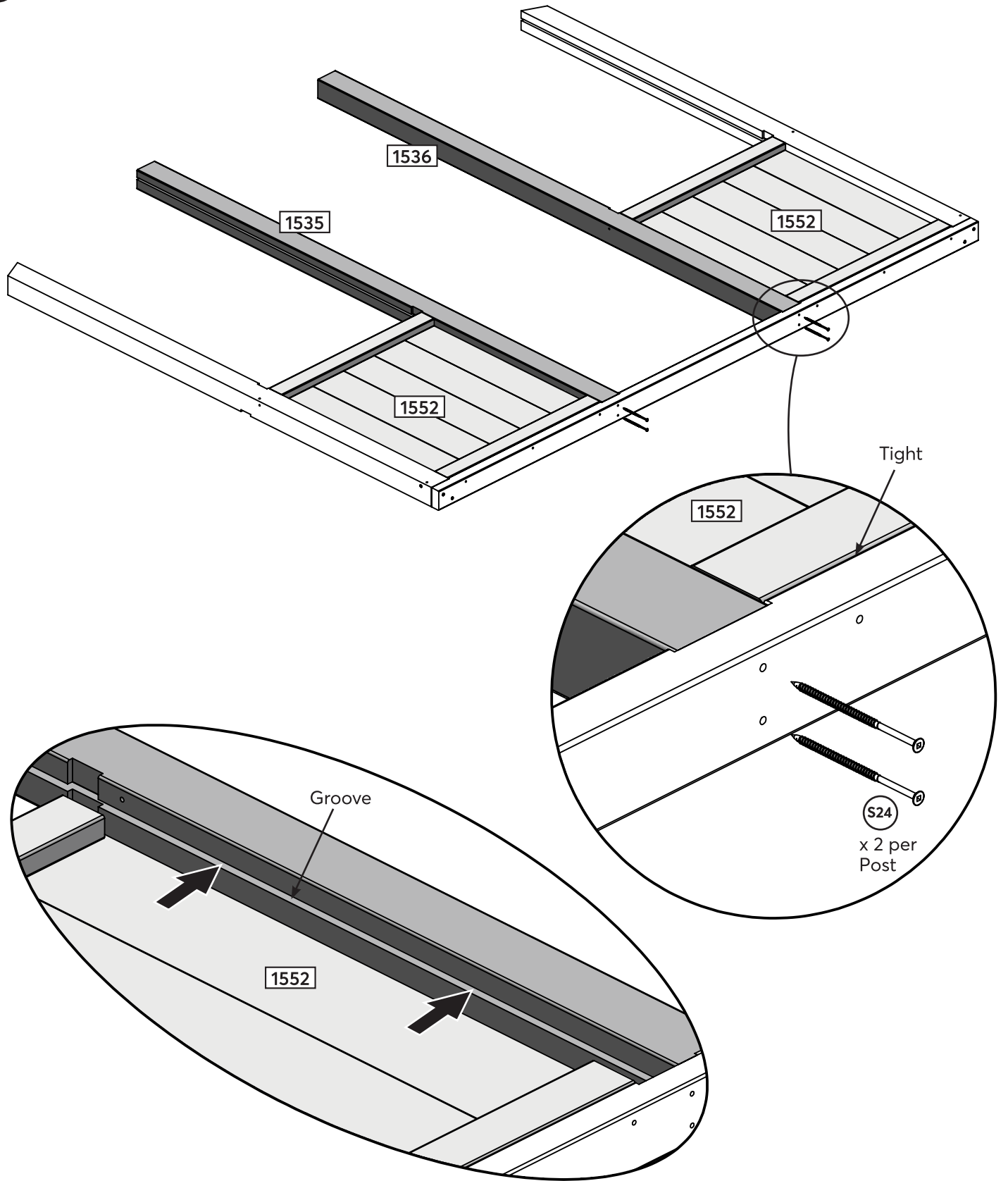


Wood Parts

- 1 x 1108
- 1 x 1109
- 1 x 1543

Hardware

- 4 x S24

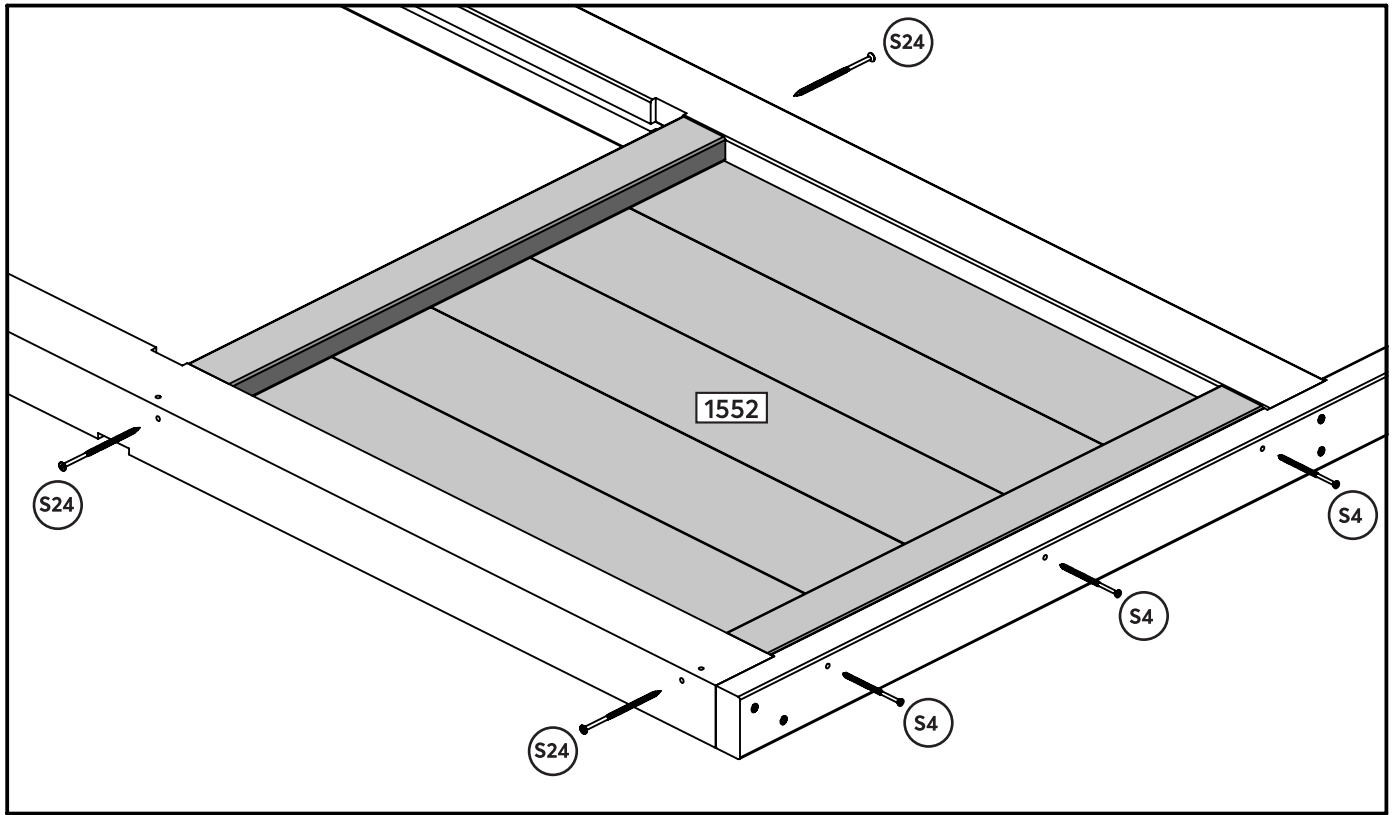
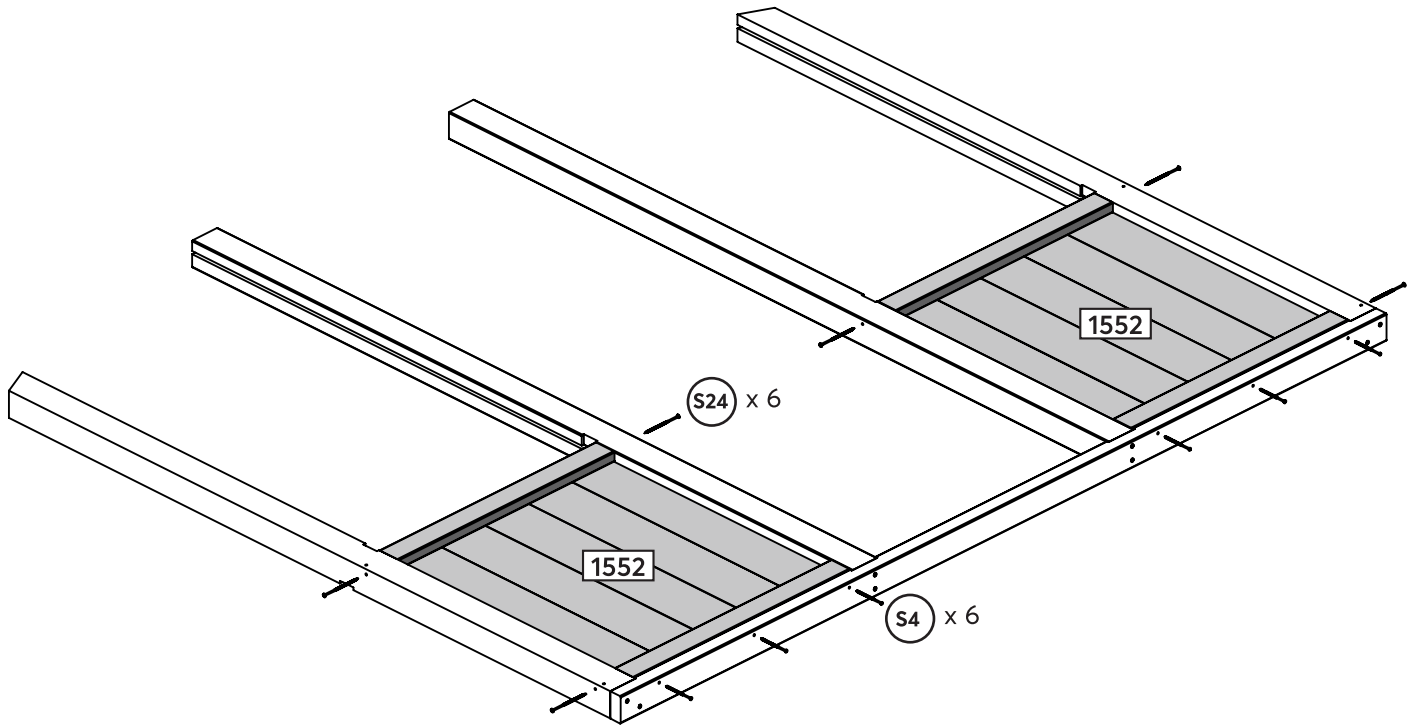


Wood Parts

- 1 x 1535
- 1 x 1536
- 2 x 1552

Hardware

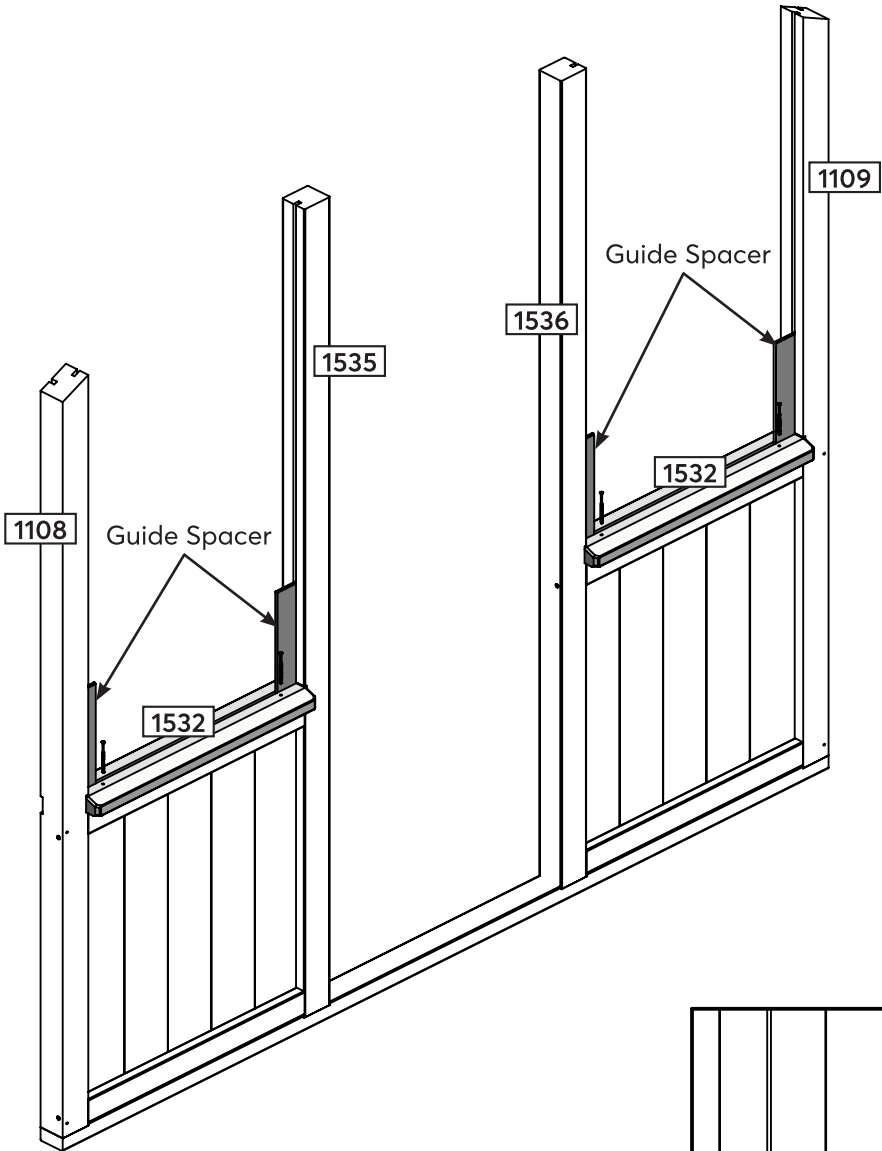
- 4 x S24



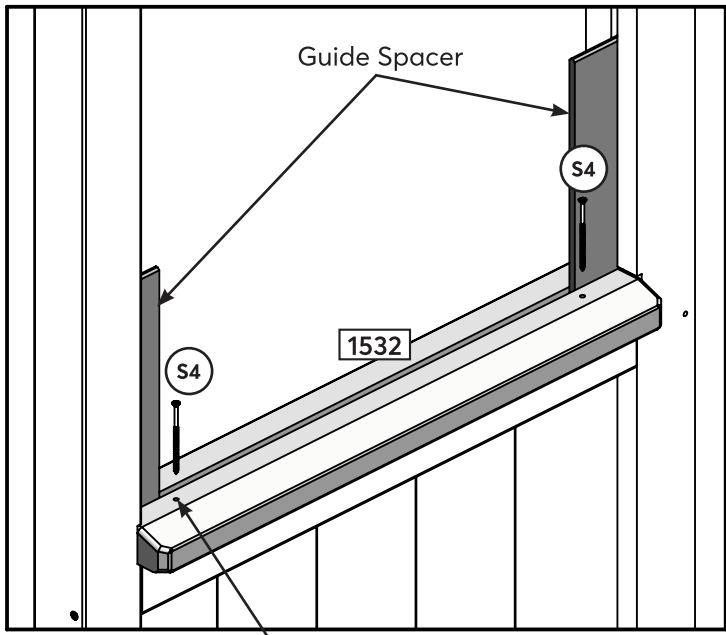
Hardware

6 x S24

6 x S4



Guide Spacer (1188) to sit in grooves of 1108, 1109, 1535, 1536 and 1532 for proper alignment, then to be removed



Wood Parts
2 x 1532

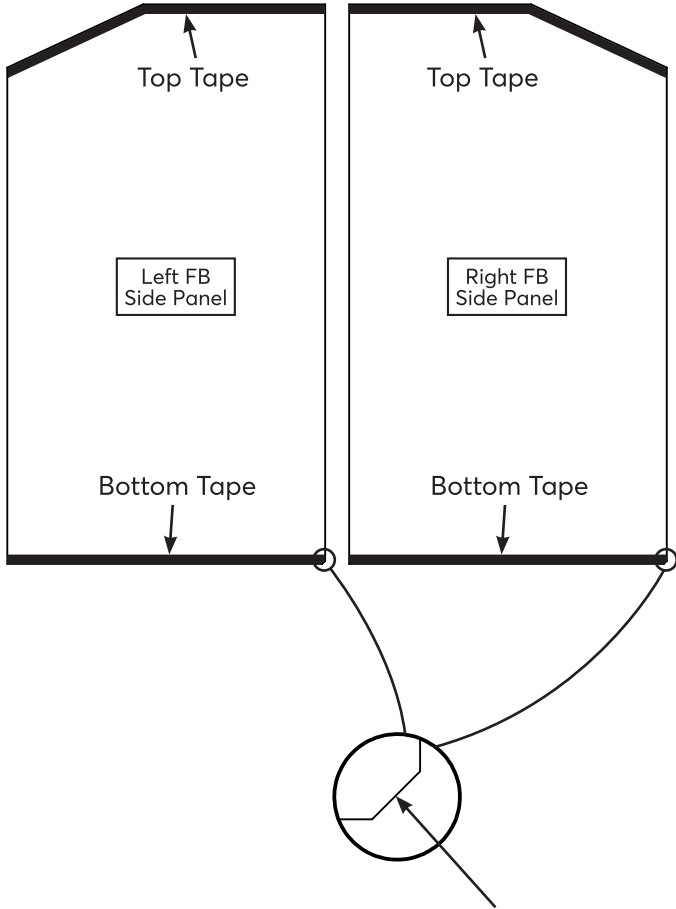
Hardware
4 x S4

Remove film from both sides of Left FB Side Panel and Right FB Side Panel.

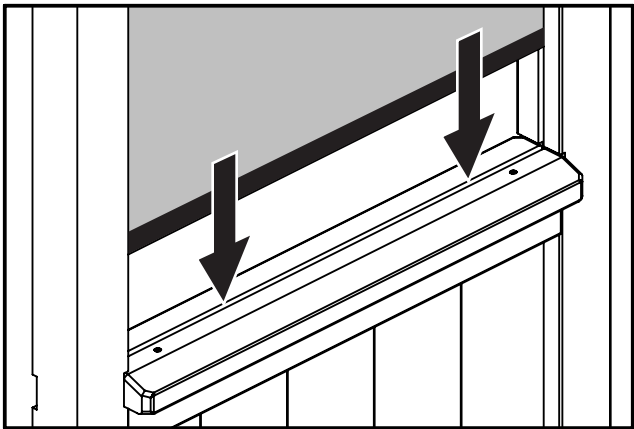
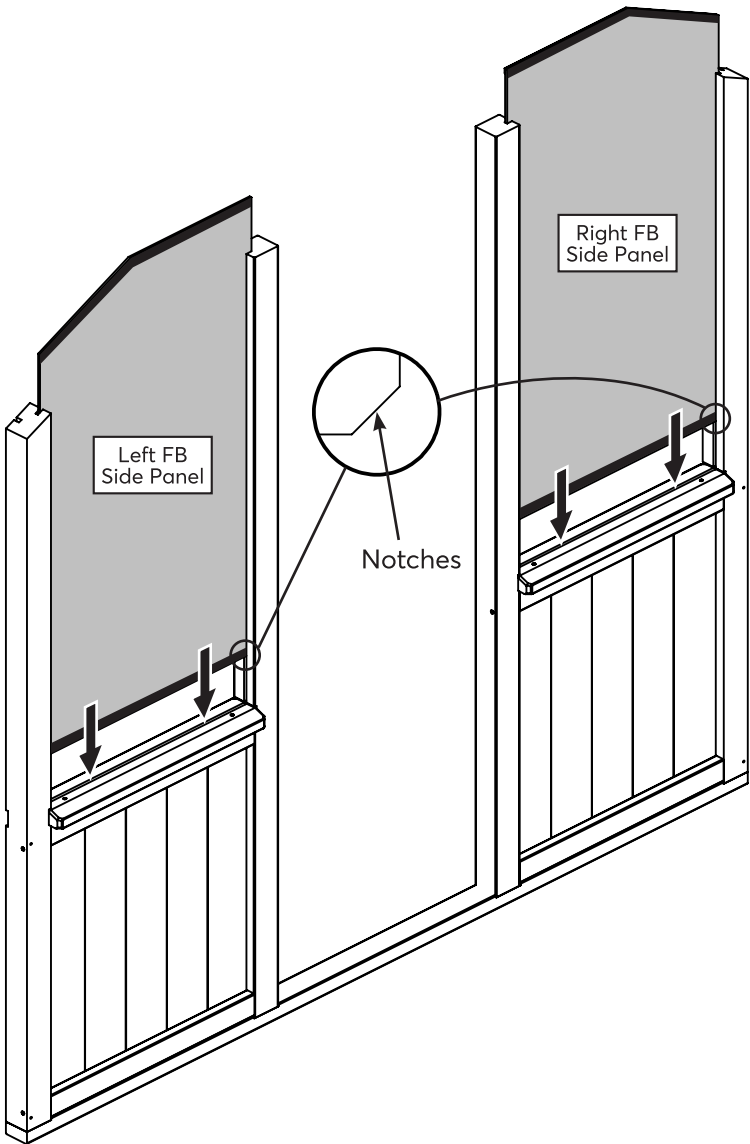
Refer to pages 19 and 20 and apply top and bottom tape to Left FB Side Panel and Right FB Side Panel.

Note: Notches always at the bottom right of each panel from the outside.

Note: UV Coating to the outside of the frame.

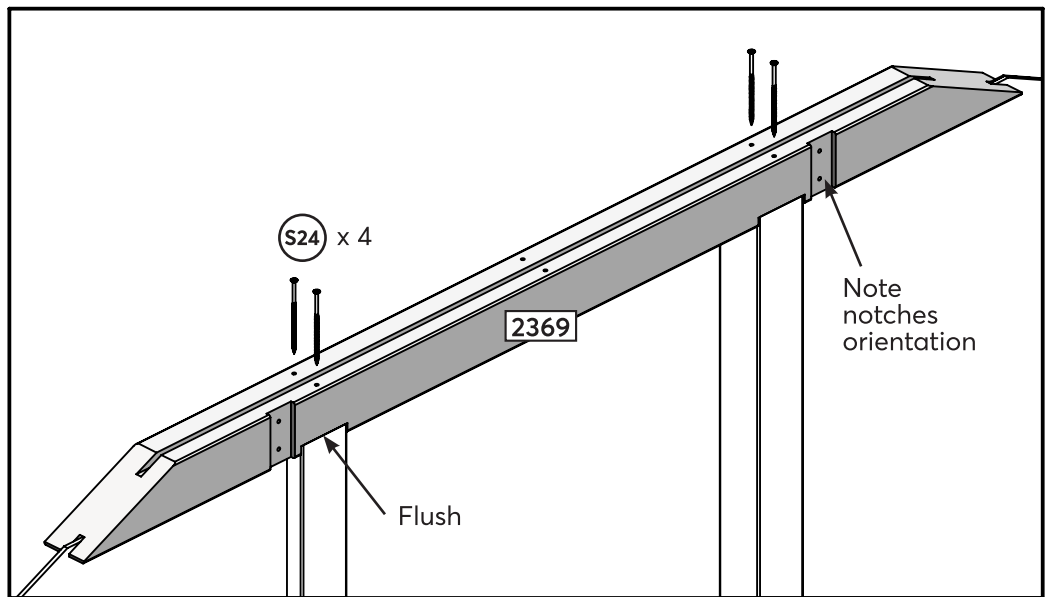
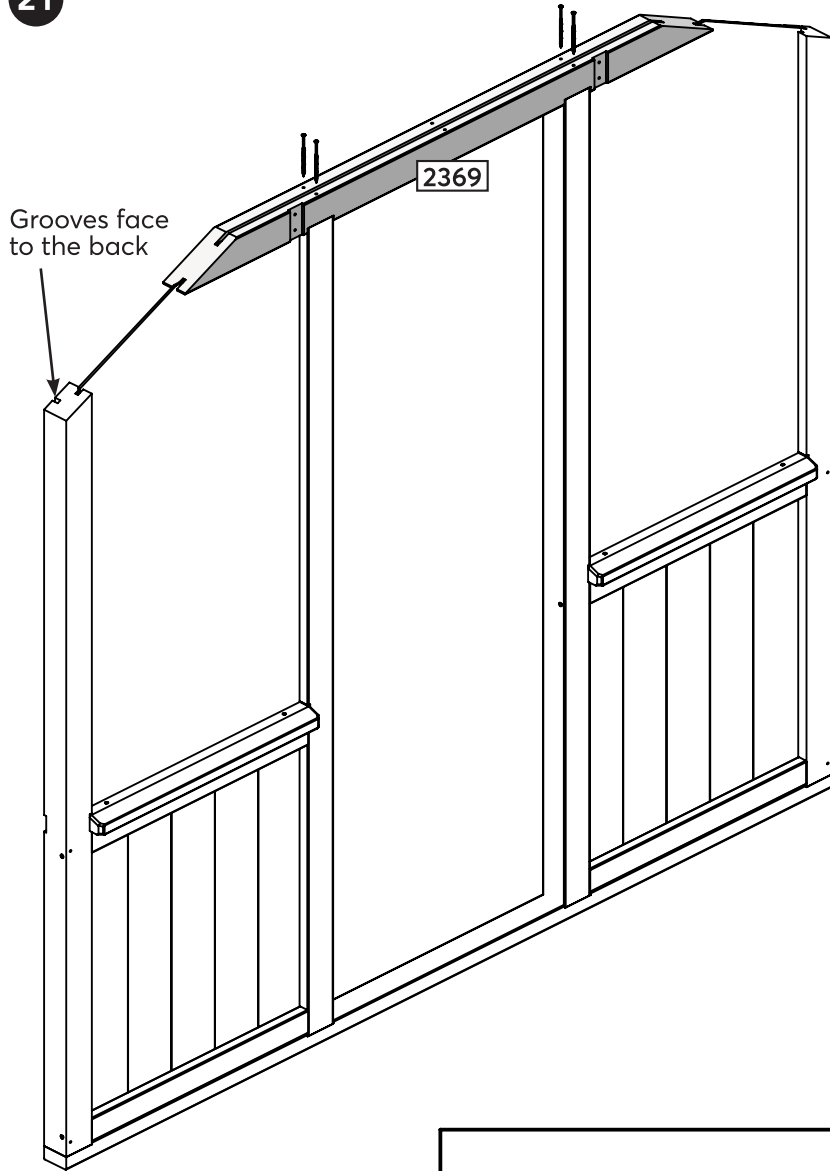


Notches always at the bottom right of each panel from the outside



- Components**
- 1 x Left FB Side Panel
 - 1 x Right FB Side Panel

21



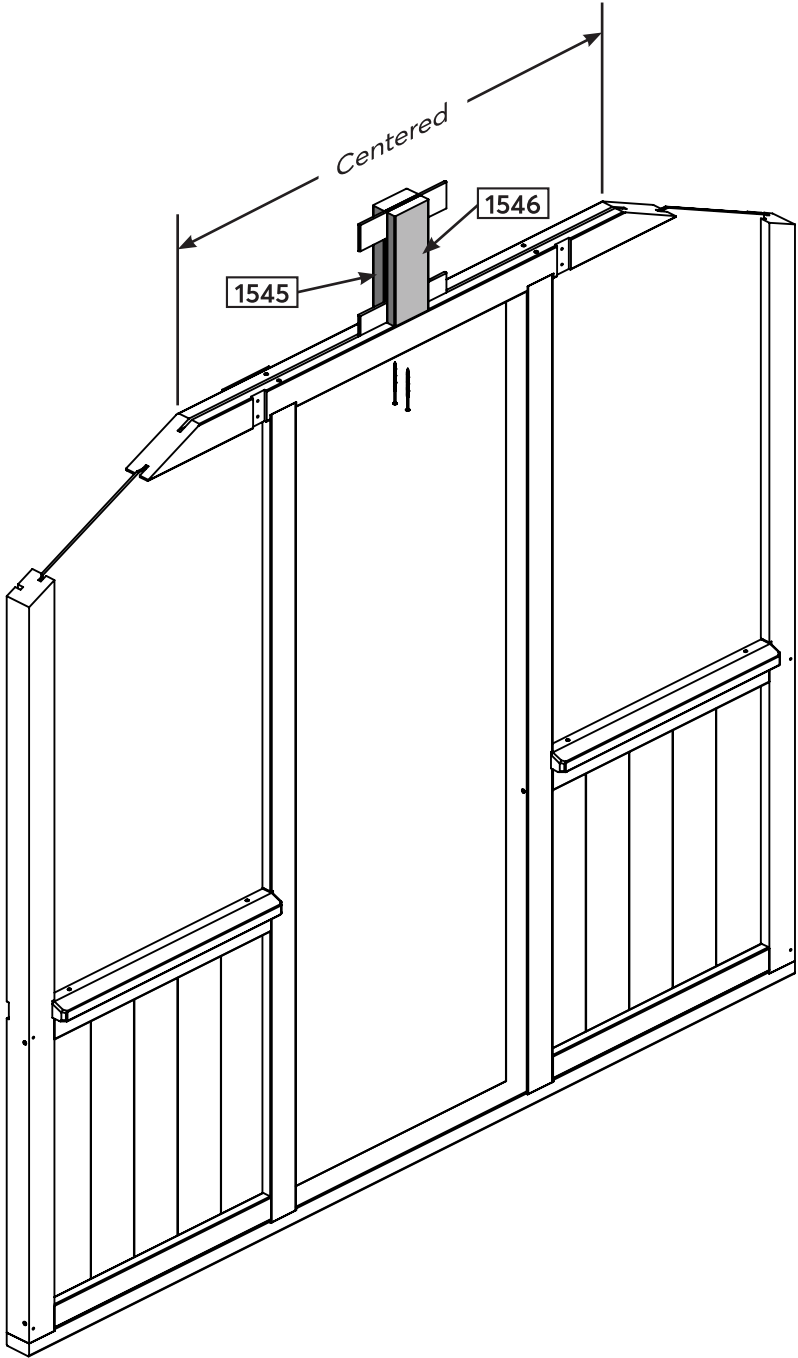
Wood Parts

1 x 2369

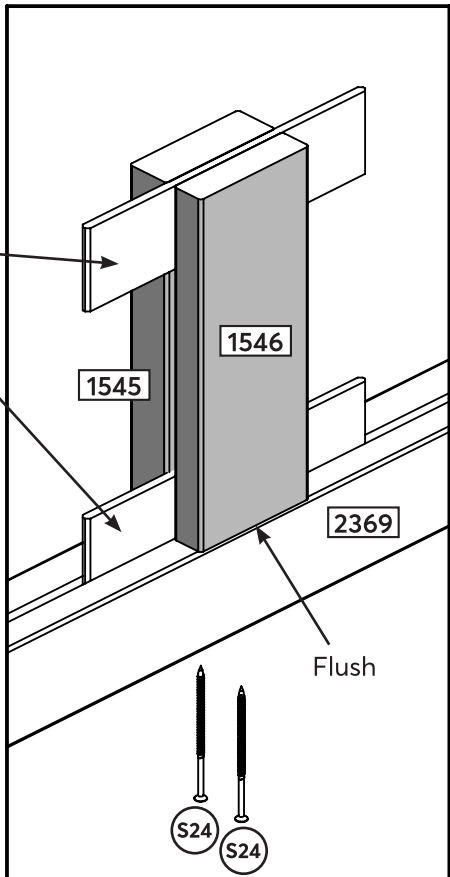
Hardware

4 x (S24)

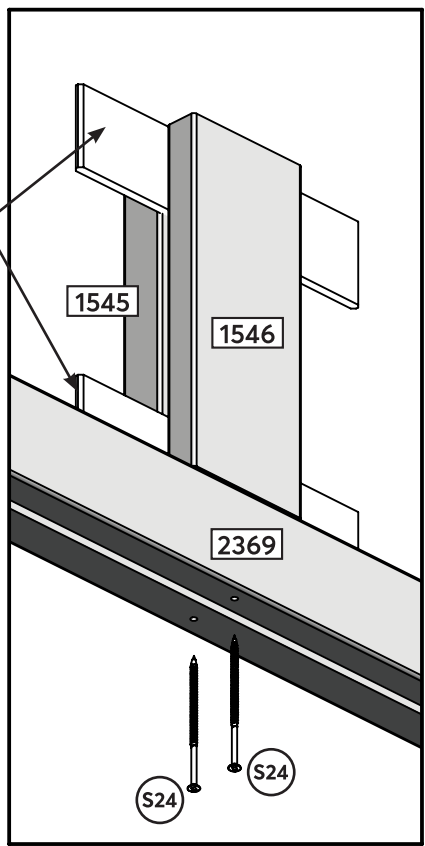
Guide Spacer (1188) to sit in grooves of 1545, 1546 and 2369 for proper alignment, then to be removed



Guide Spacer



Guide Spacer



Underneath View

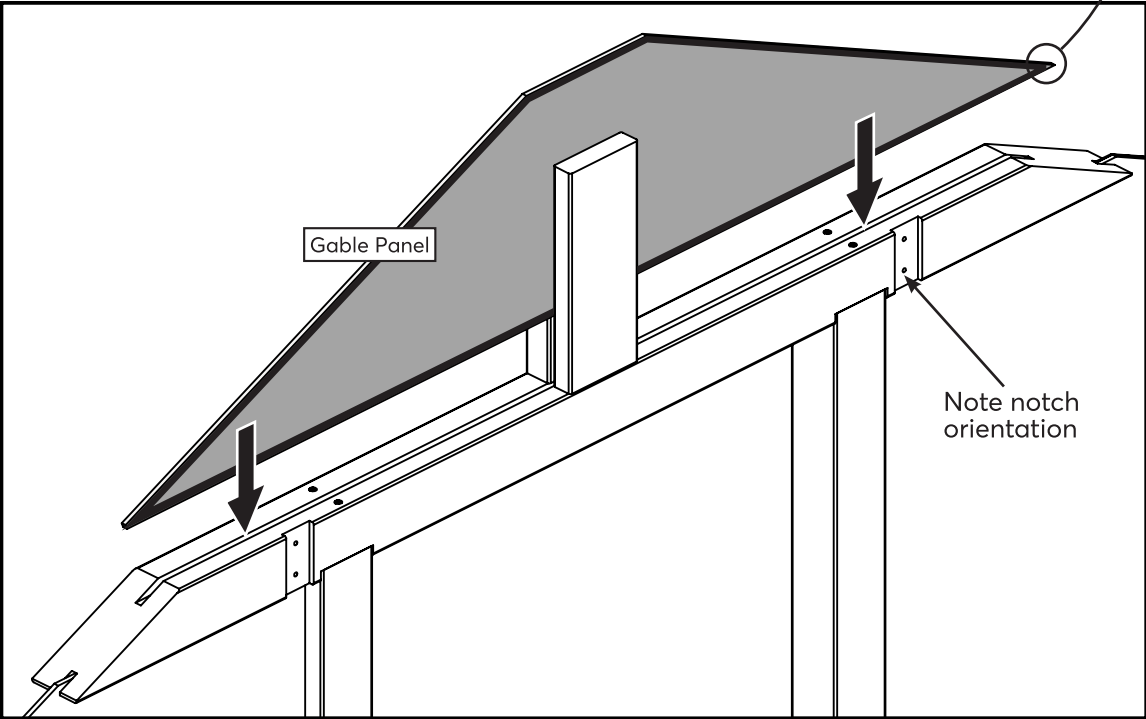
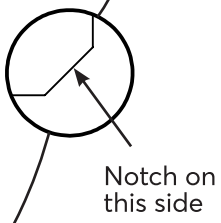
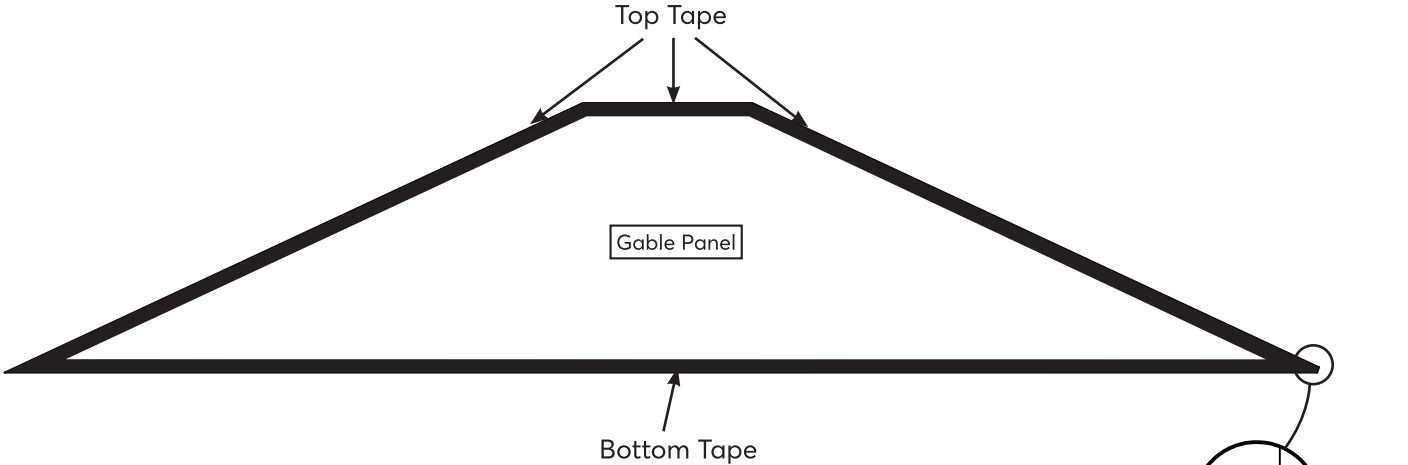
Wood Parts

- 1 x 1545
- 1 x 1546

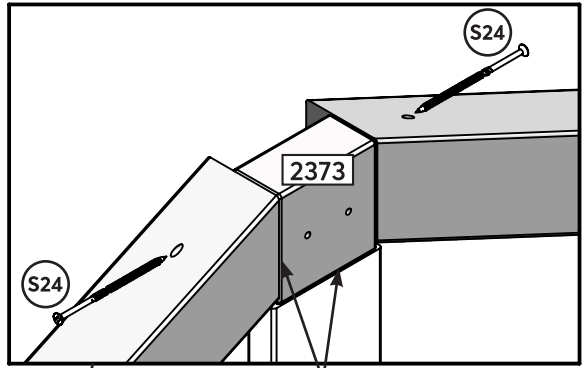
Hardware

- 2 x S24

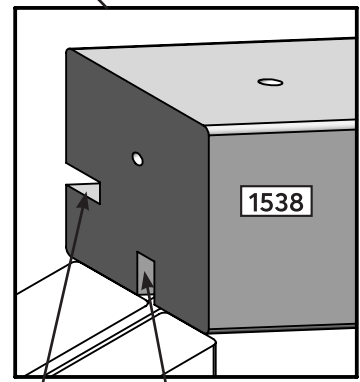
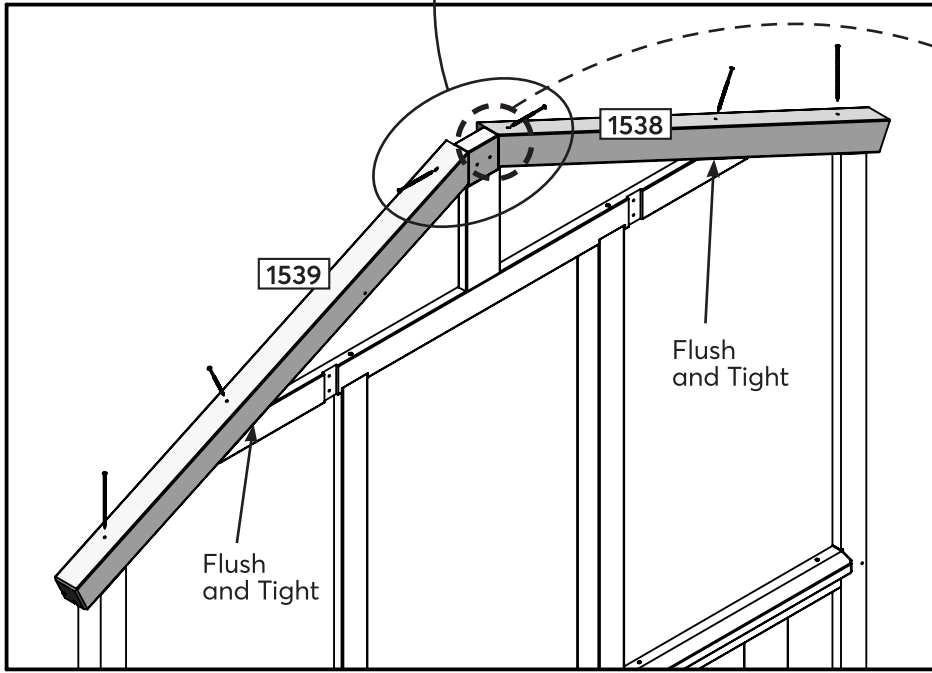
Remove film from both sides of Gable Panel.
Refer to pages 19 and 20 and apply top and bottom tape to Gable Panel.
Note: Notches always at the bottom right of each panel from the outside.
Note: UV Coating to the outside of the frame.



Components
1 x Gable Panel



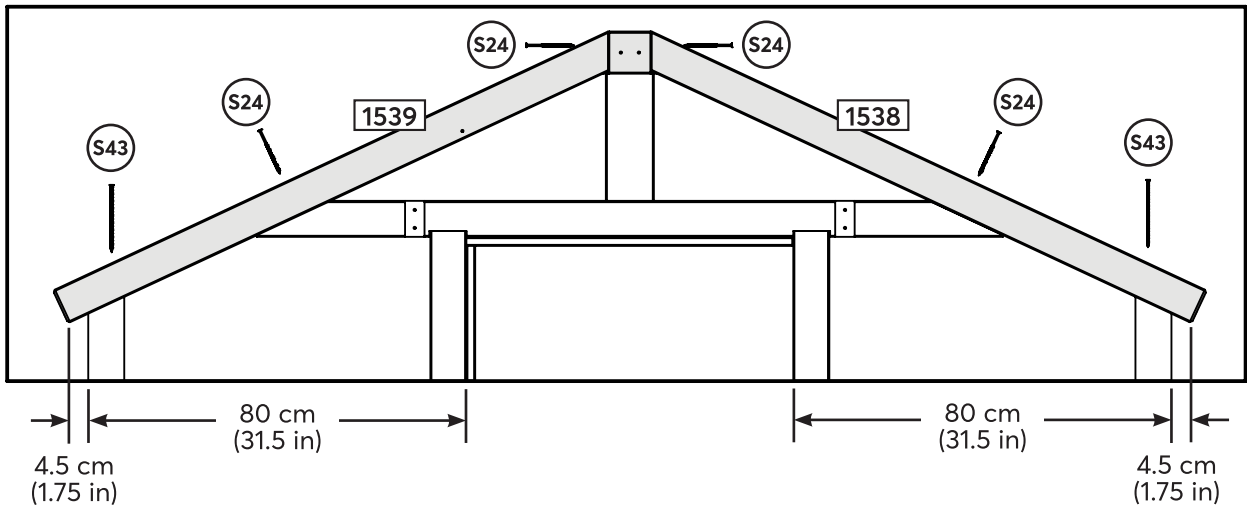
Flush



Grooves face to the back

Grooves face to the bottom

Front View



Wood Parts

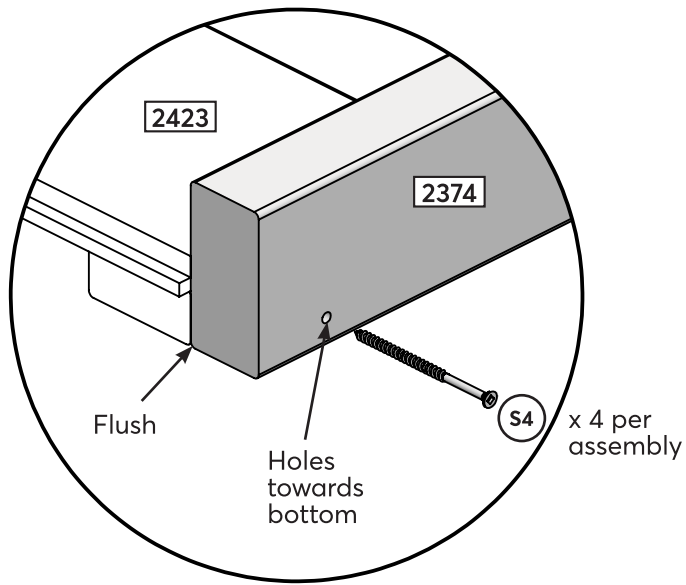
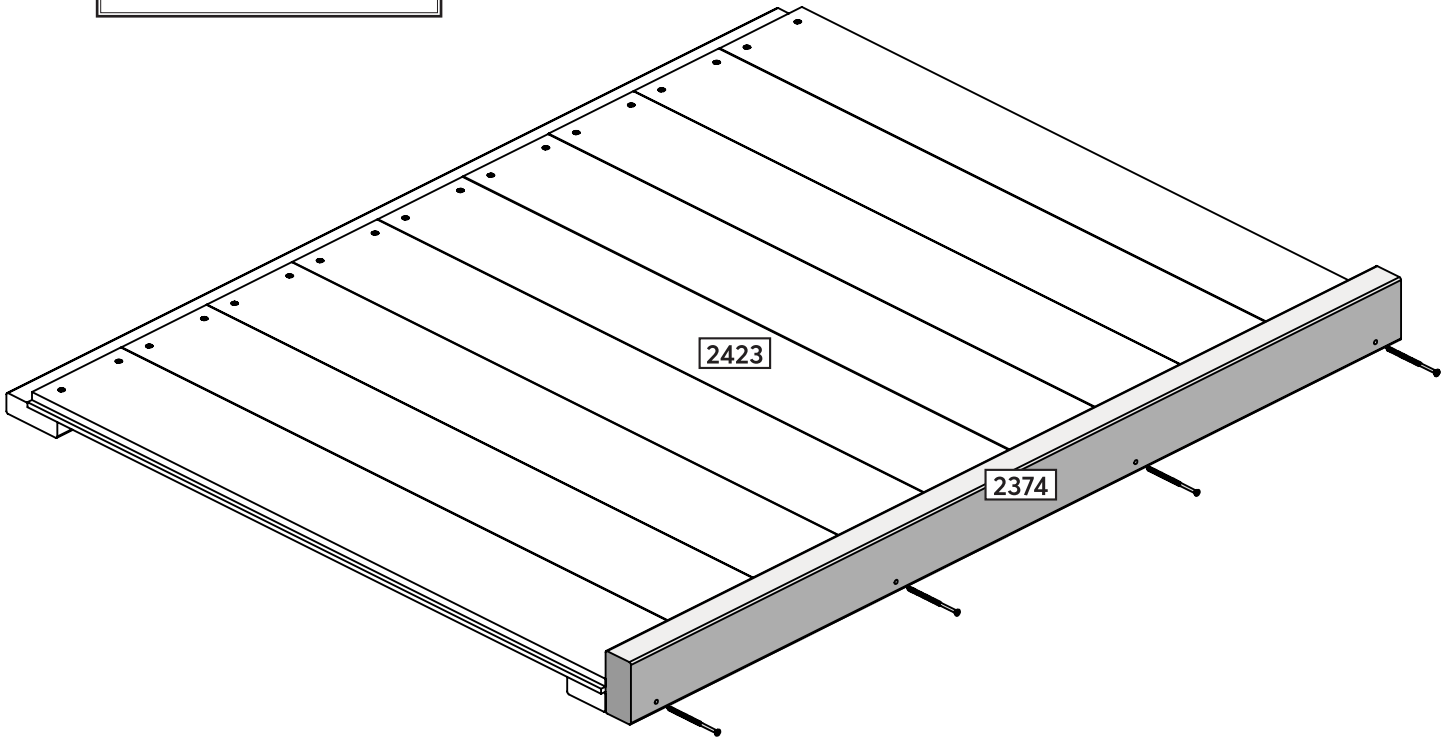
- 1 x 1538
- 1 x 1539
- 1 x 2373

Hardware

- 4 x S24
- 2 x S43

25 Shed Side Wall Assembly

Complete this step twice



Wood Parts

2 x 2374

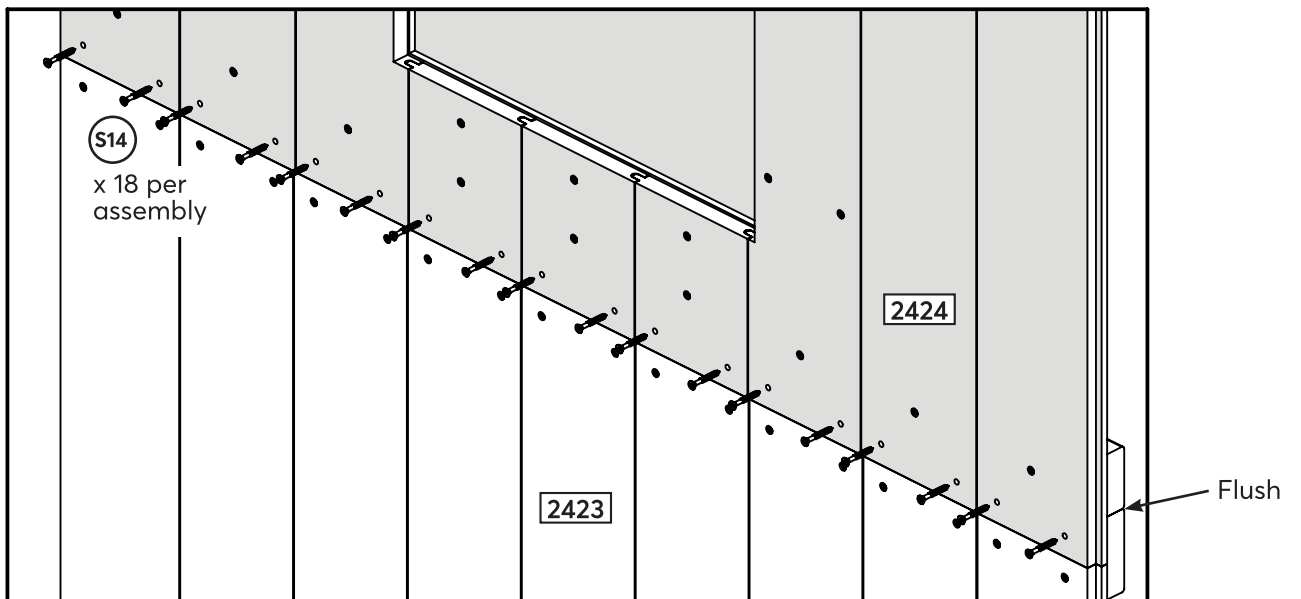
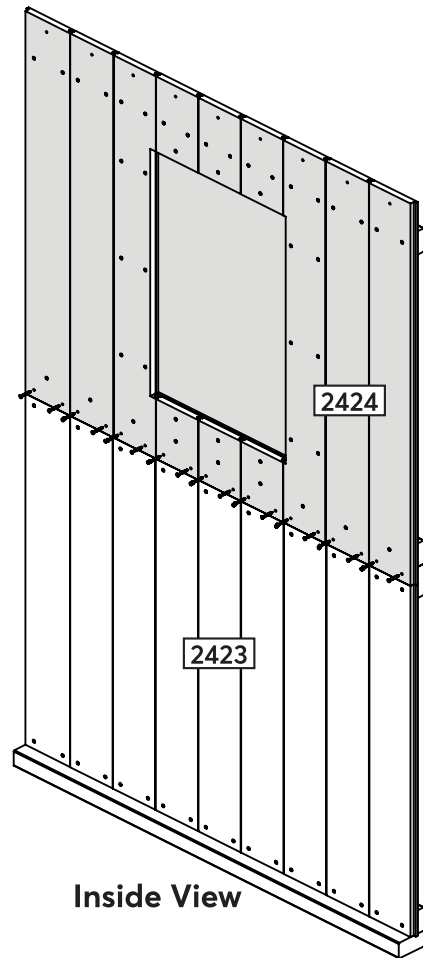
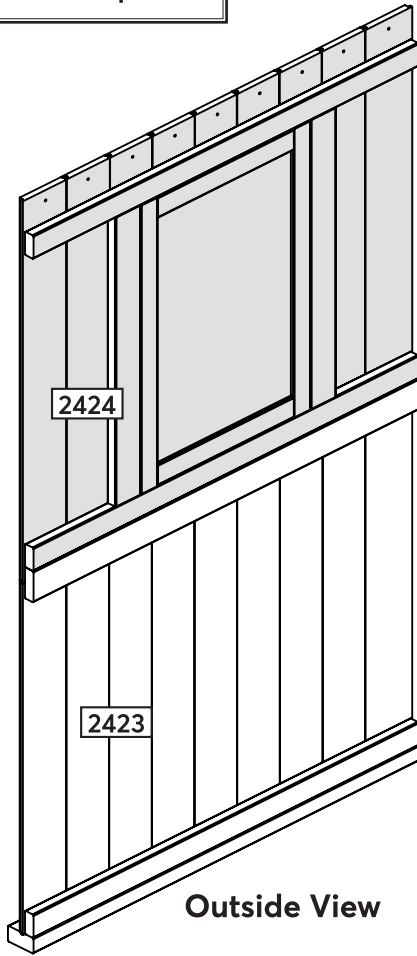
2 x 2423

Hardware

8 x S4

26

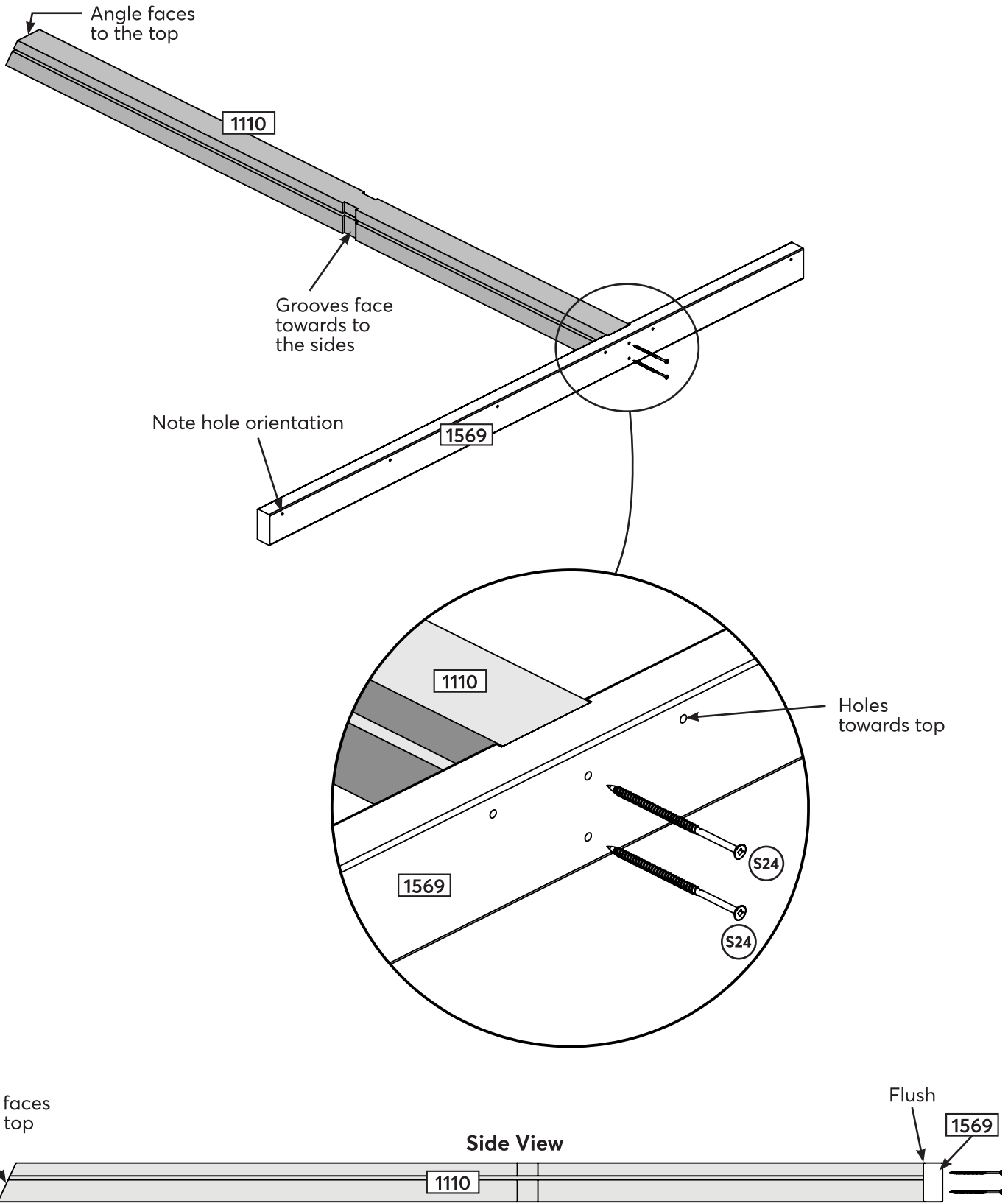
Complete this step twice



Hardware

36 x S14

27 Right Side Wall Assembly



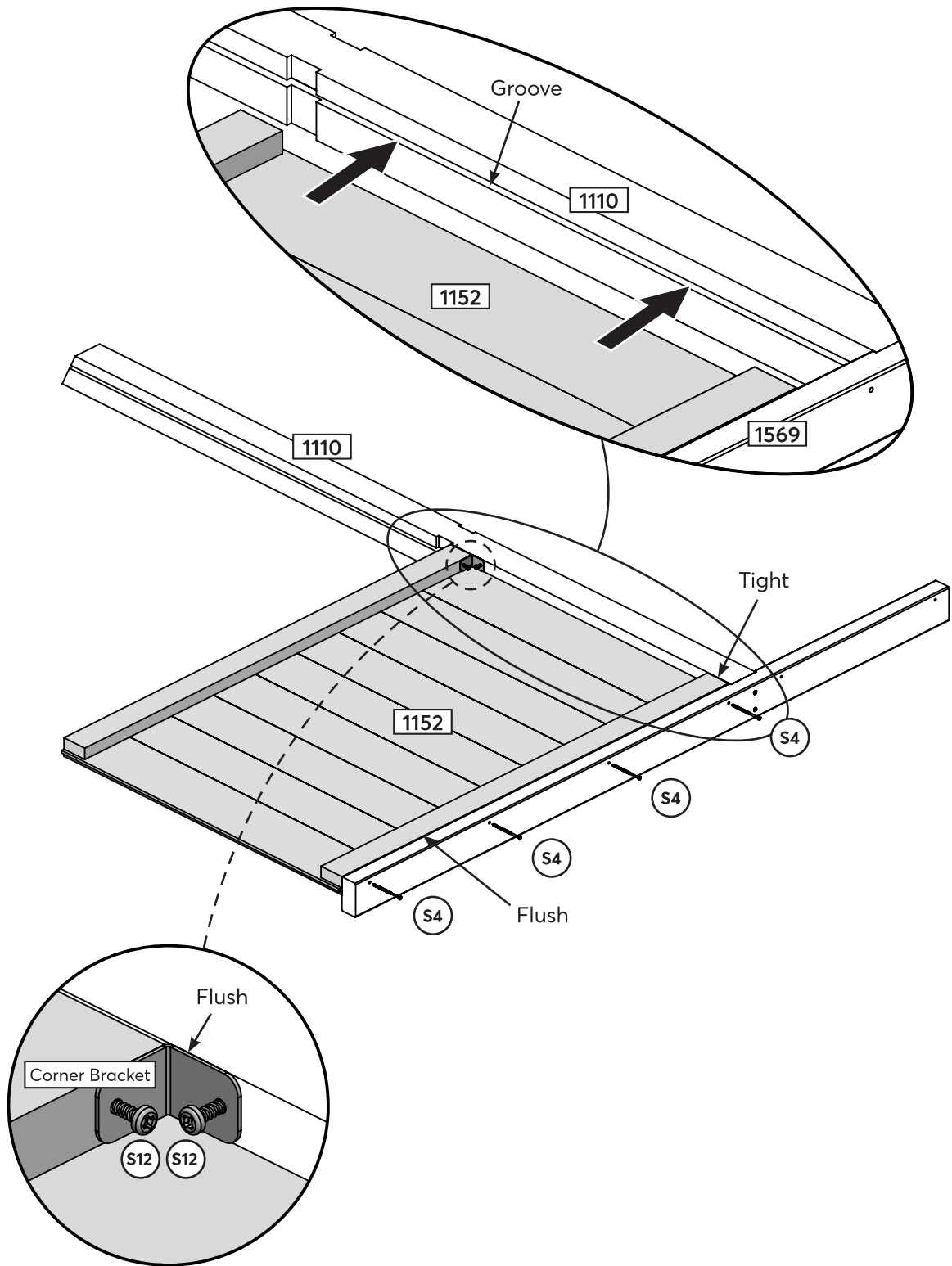
Wood Parts

1 x 1110

1 x 1569

Hardware

2 x S24



Wood Parts

1 x 1152

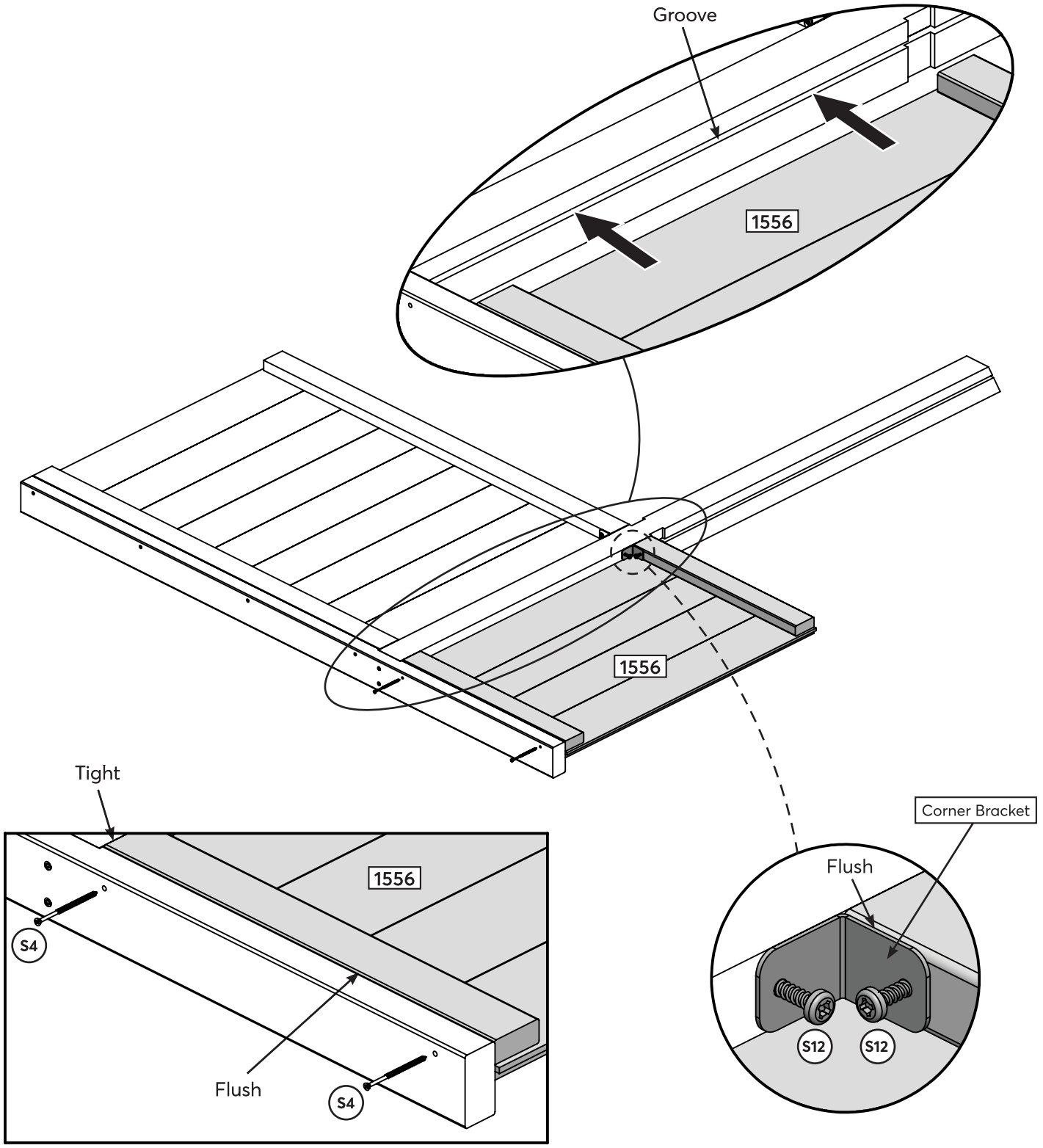
Hardware

4 x S4

2 x S12 (Yellow)

Components

1 x Corner Bracket



Wood Parts

1 x 1556

Hardware

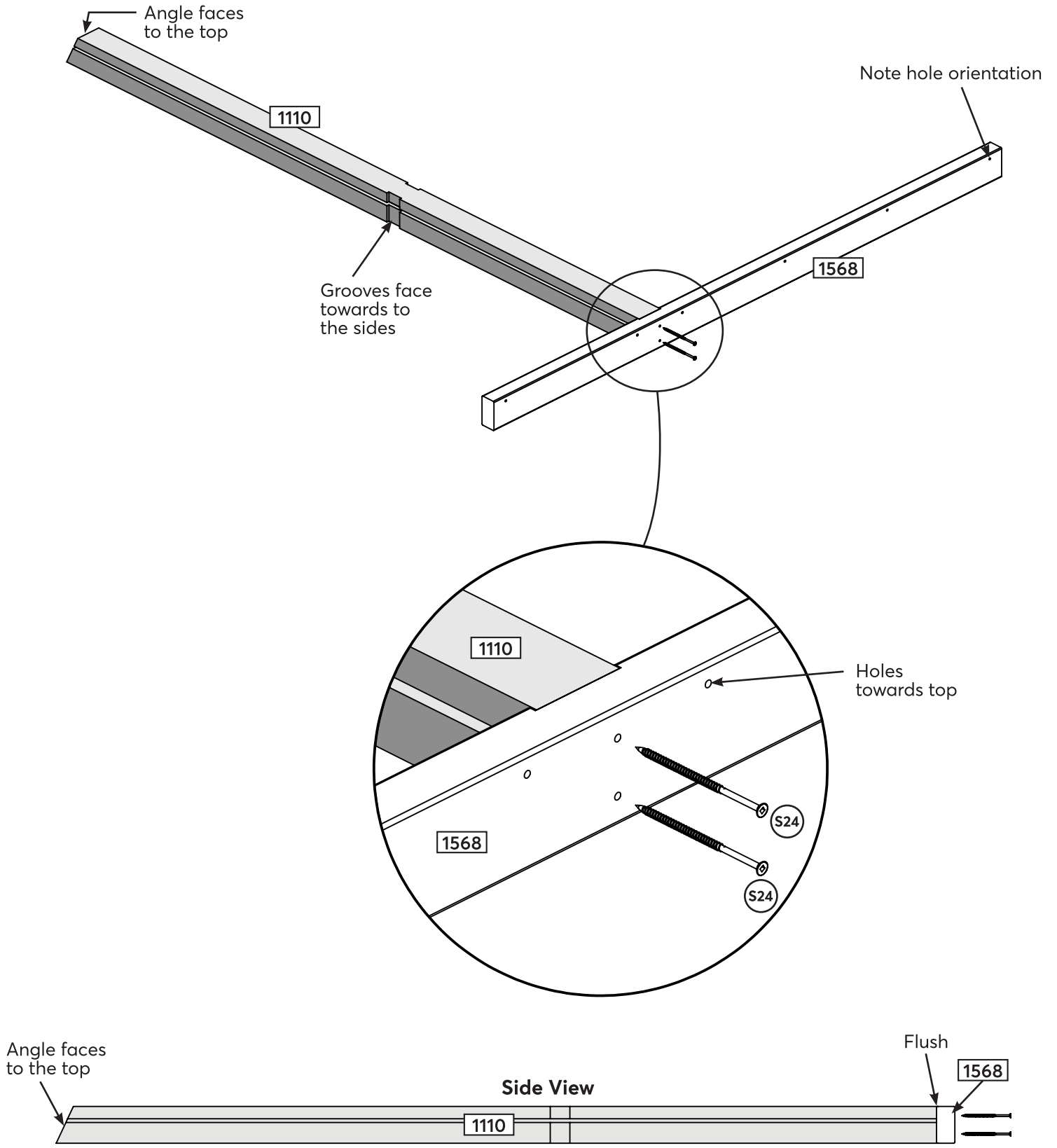
2 x S4

2 x S12 (Yellow)

Components

1 x Corner Bracket

30 Left Side Wall Assembly

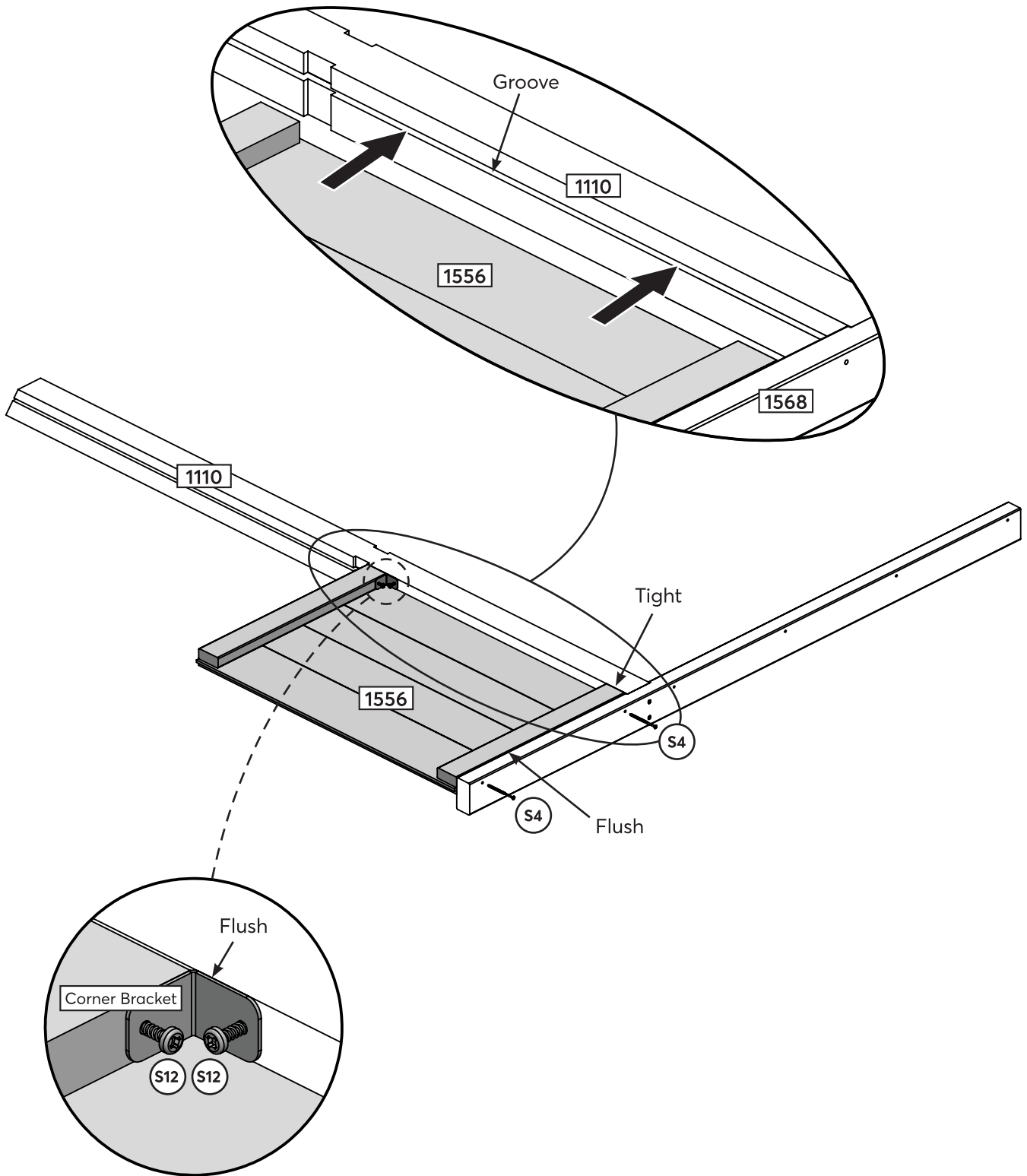


Wood Parts

- 1 x 1110
- 1 x 1568

Hardware

- 2 x S24



Wood Parts

1 x 1556

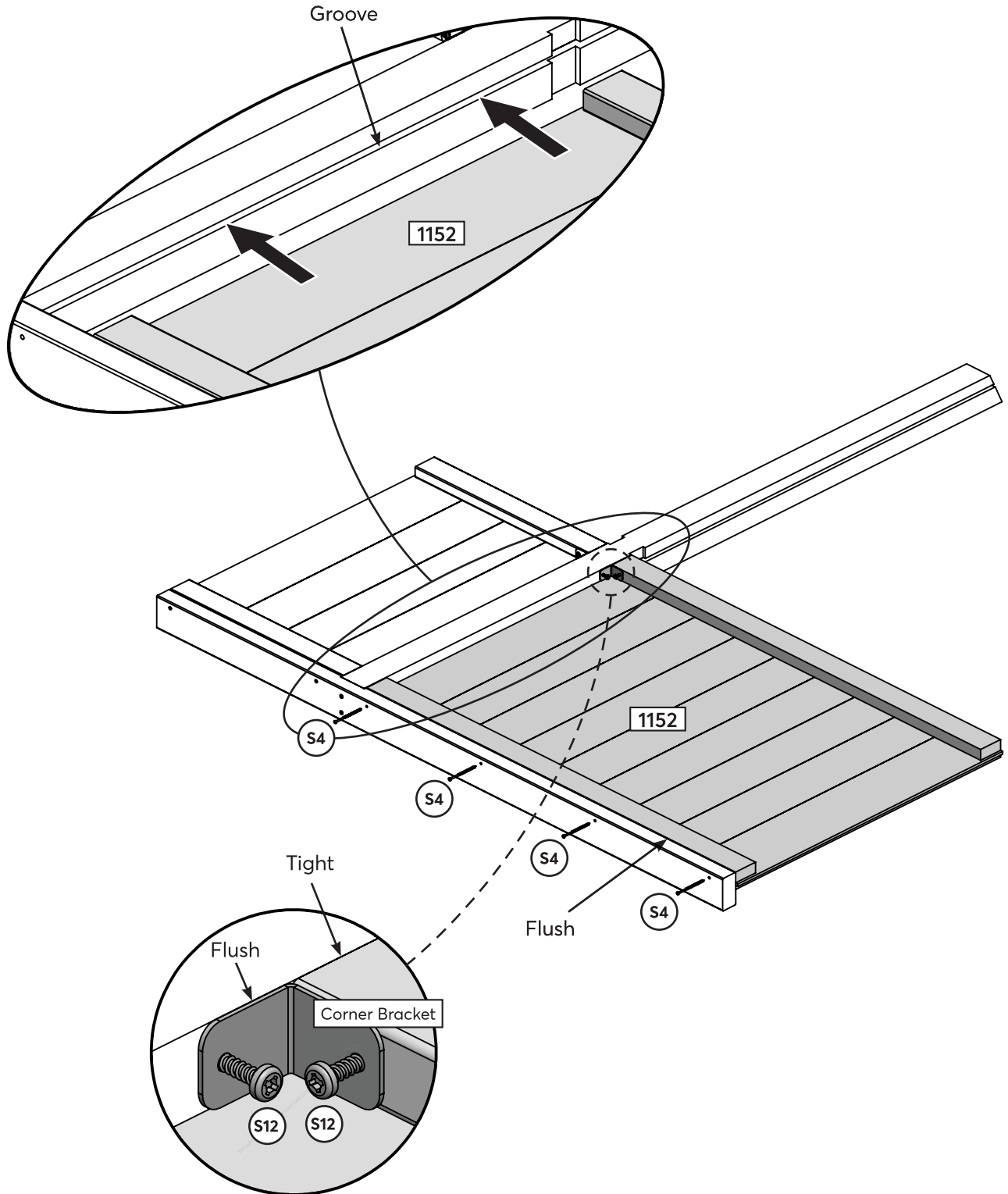
Hardware

2 x S4

2 x S12 (Yellow)

Components

1 x Corner Bracket



Wood Parts

1 x 1152

Hardware

4 x S4

2 x S12 (Yellow)

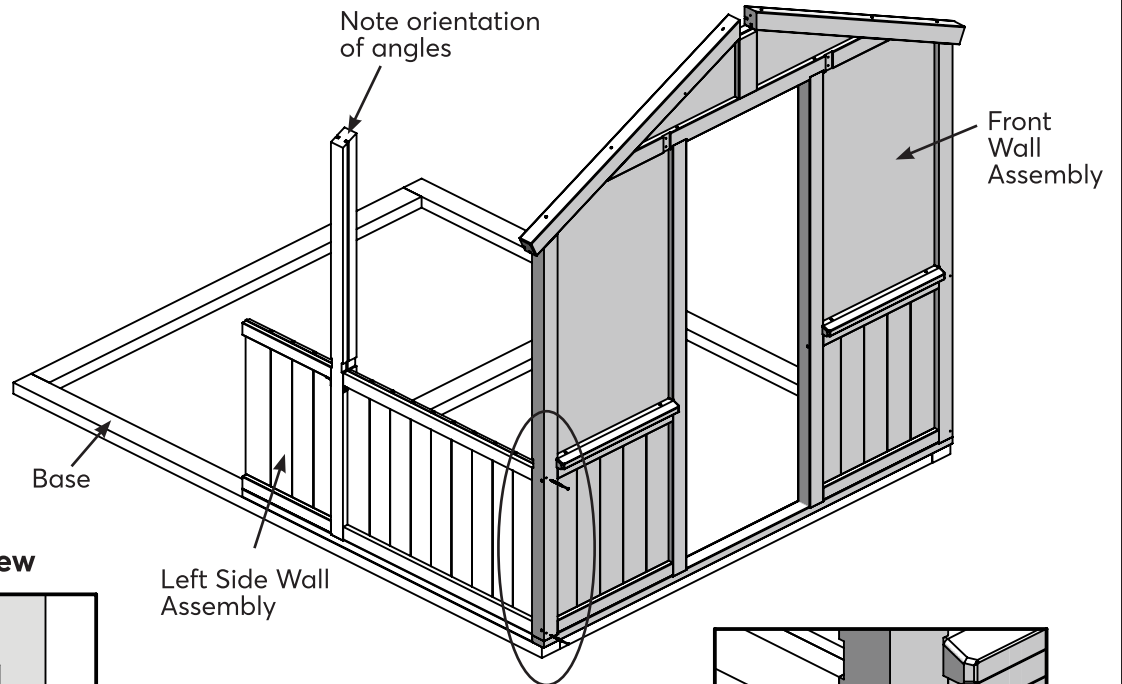
Components

1 x Corner Bracket

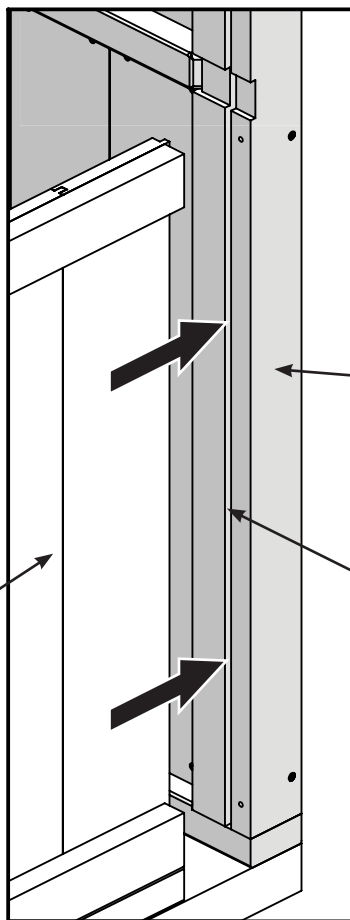
33

If using a treated lumber base it should be placed in the final location. Images will only show treated lumber base. Same instructions apply for concrete base, unless otherwise specified.

Pre-drill holes with a 1/8" drill bit.



Rotated View

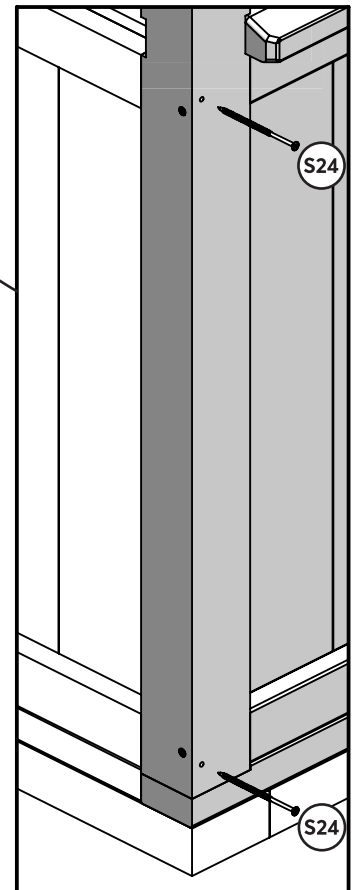


Left Side Wall Assembly

Front Wall Assembly

Groove

Left Side Wall Assembly

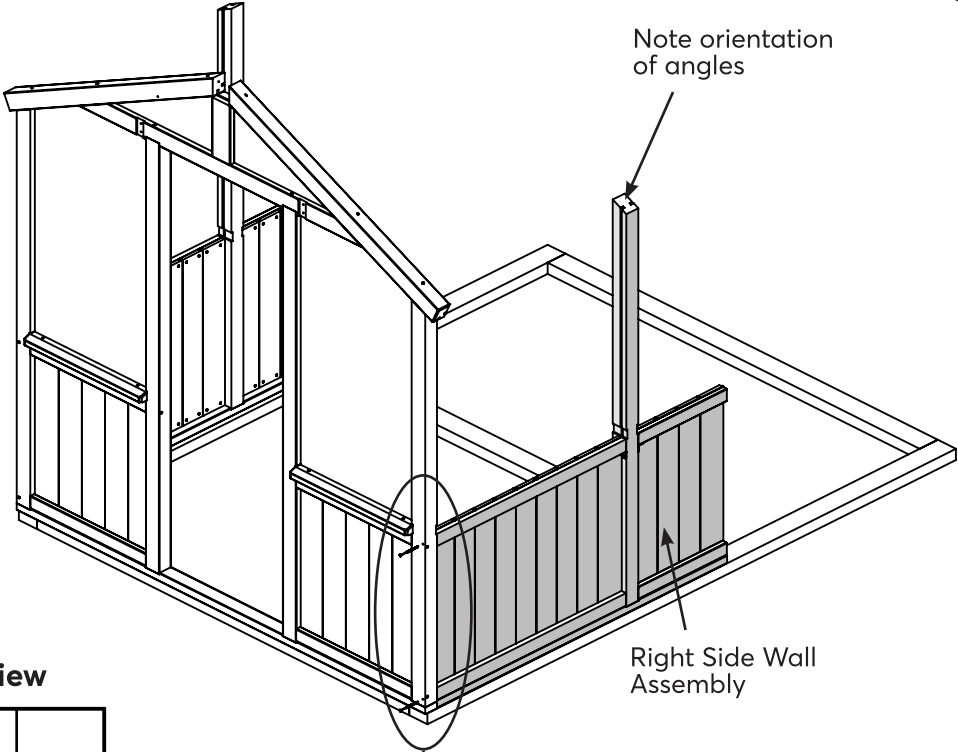


Hardware

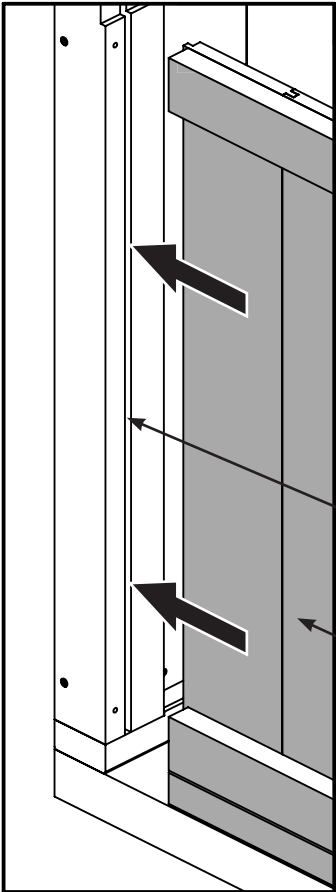
2 x S24

34

Pre-drill holes with a 1/8" drill bit

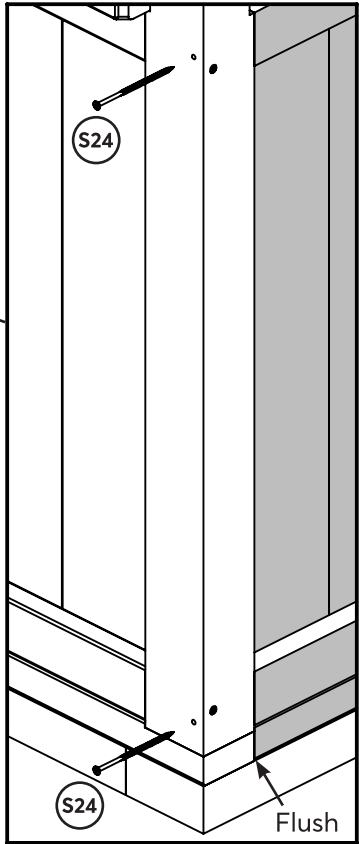


Rotated View



Groove

Right Side Wall Assembly

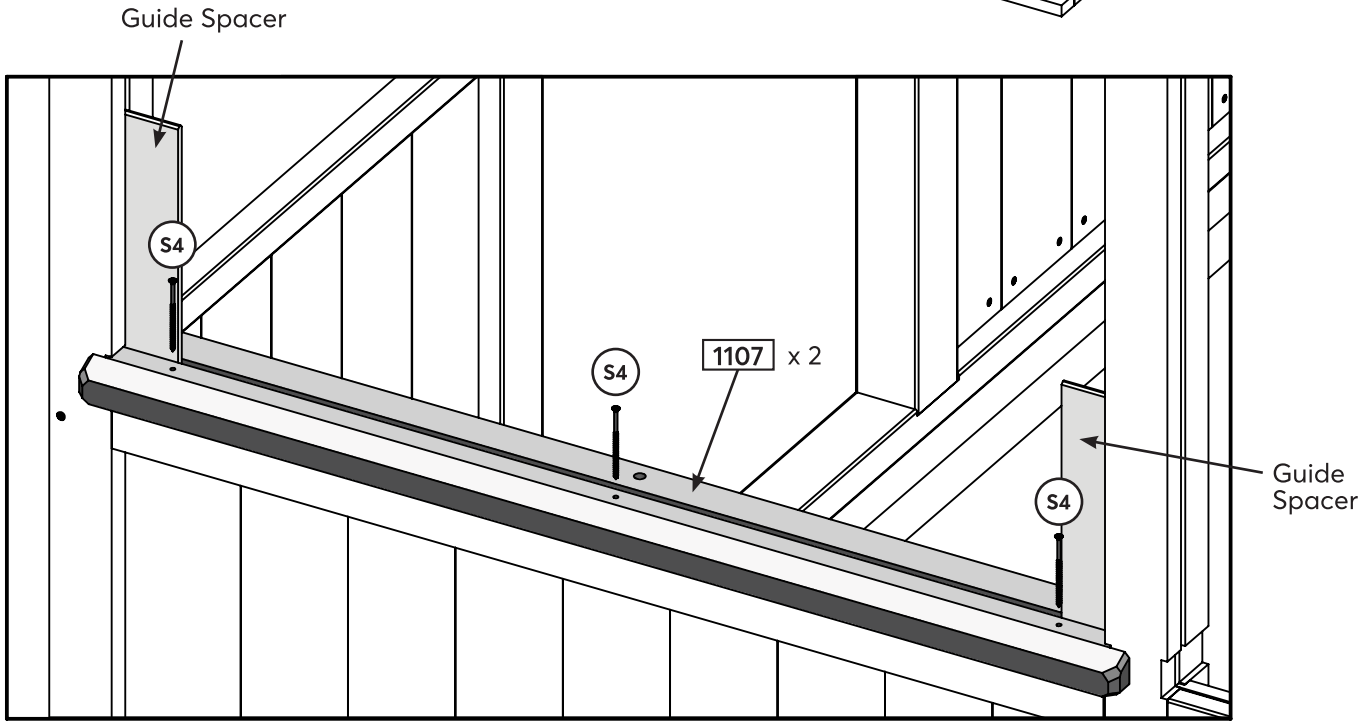
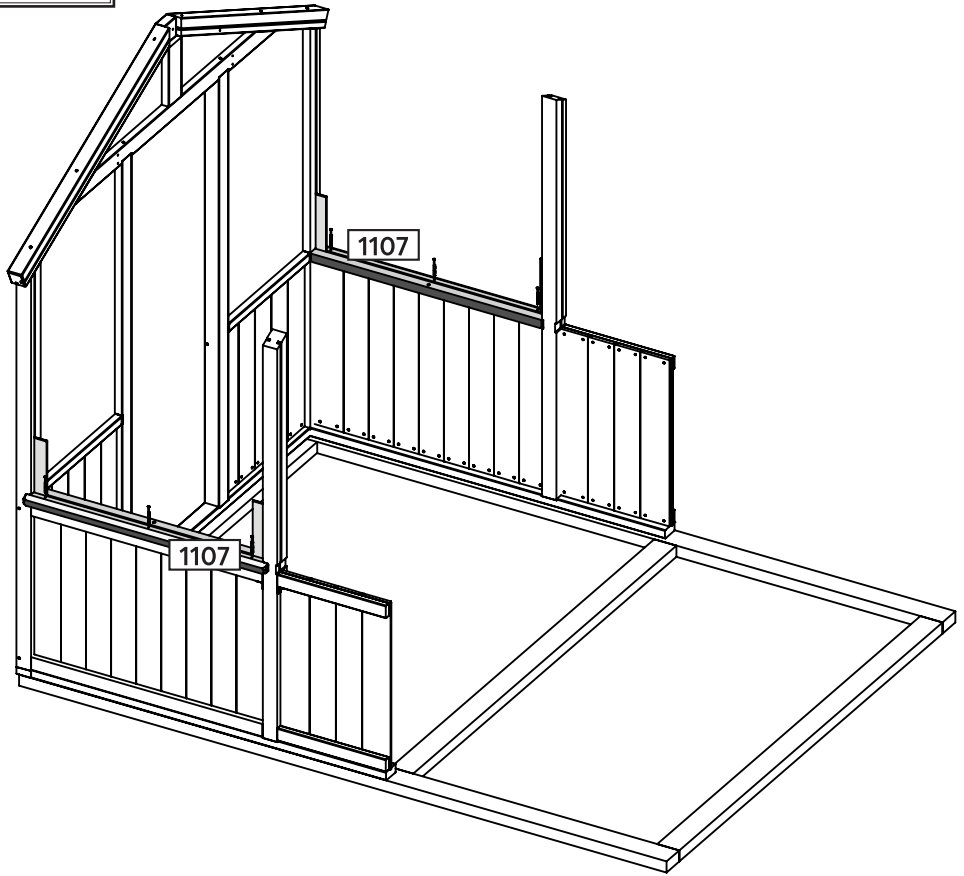


Hardware

2 x S24

35

Guide Spacer (1188) to sit in grooves of Posts and 1107 for proper alignment, then to be removed

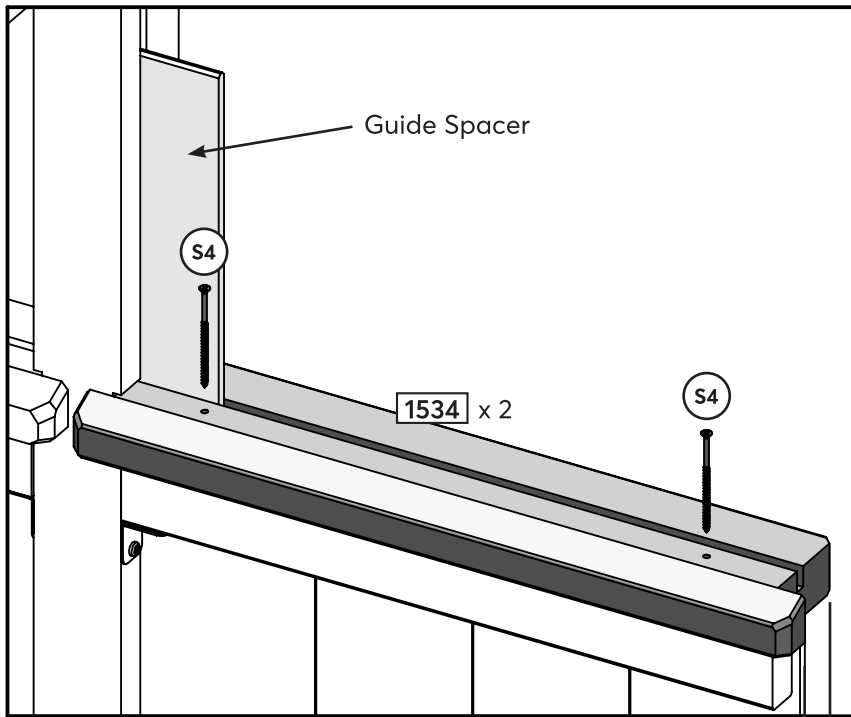
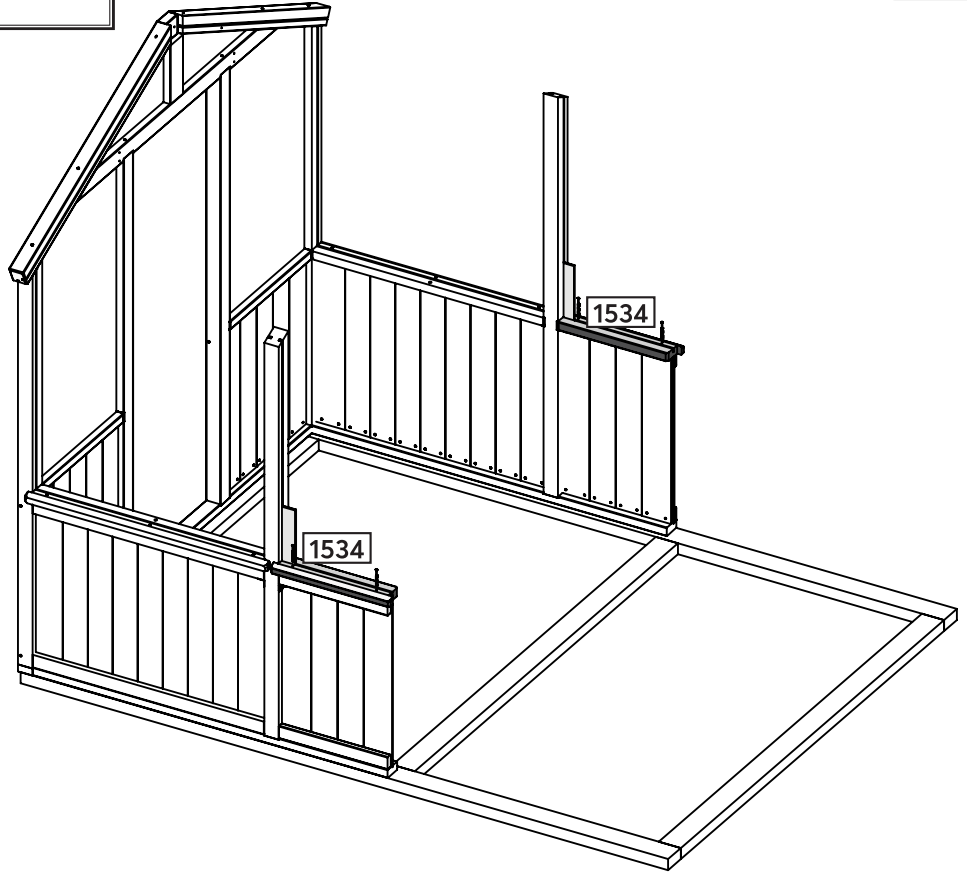


Wood Parts
2 x 1107

Hardware
6 x S4

36

Guide Spacer (1188) to sit in grooves of Posts and 1534 for proper alignment, then to be removed



3.2 cm
(1 1/4 in)

Wood Parts

2 x 1534

Hardware

4 x S4

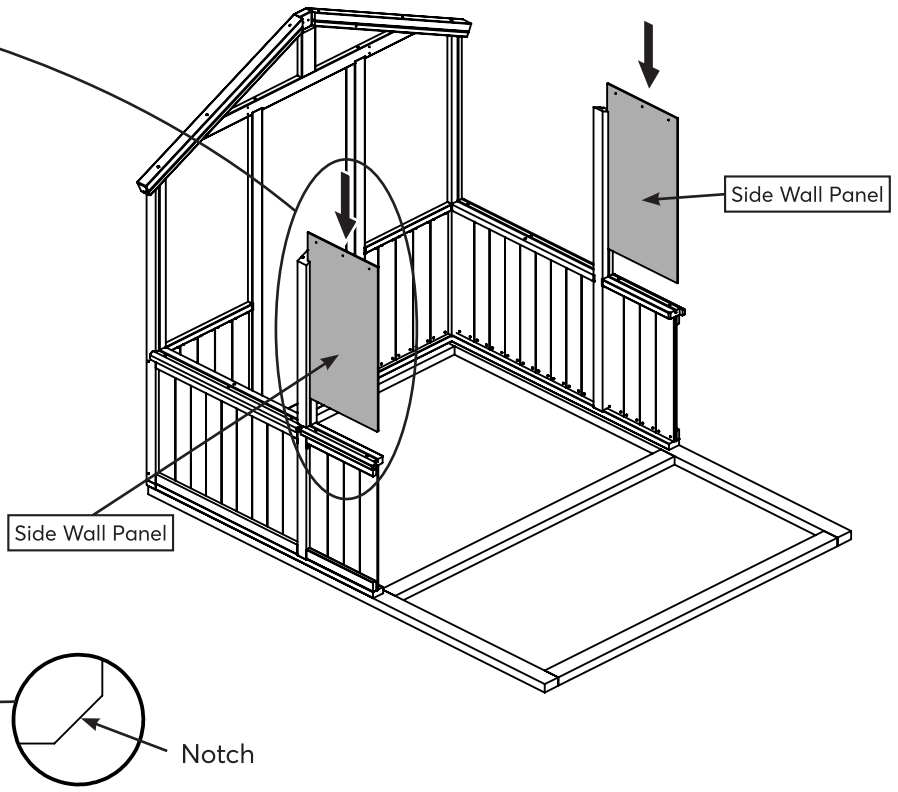
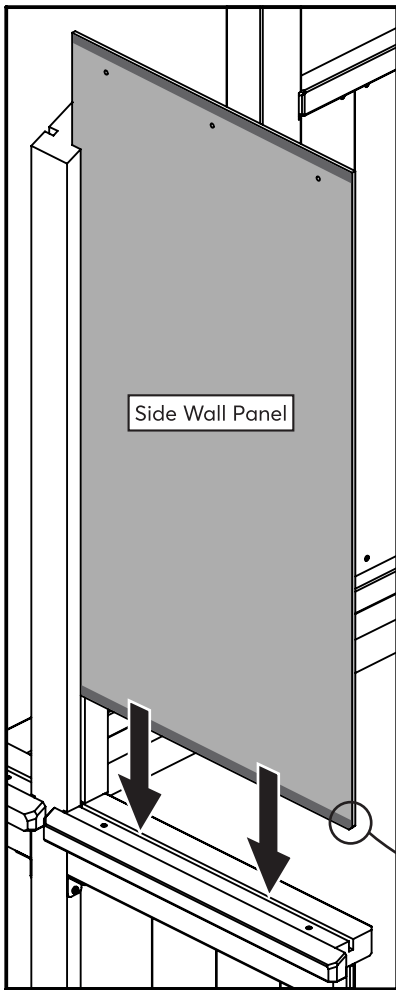
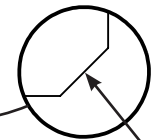
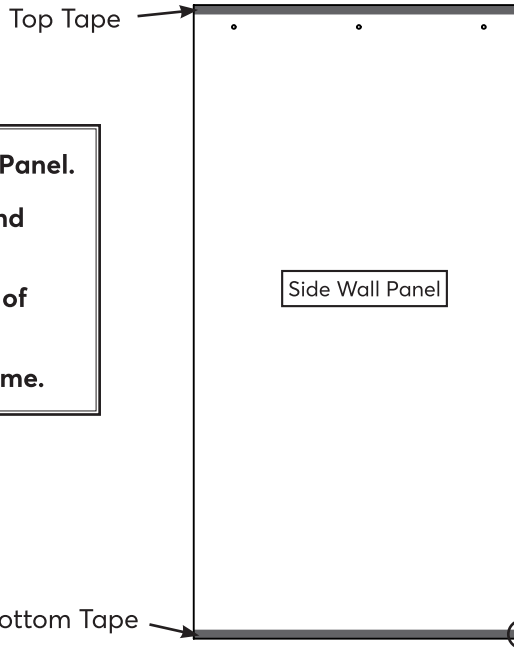
37

Remove film from both sides of Side Wall Panel.

Refer to pages 19 and 20 and apply top and bottom tape to Side Wall Panel.

Note: Notches always at the bottom right of each panel from the outside.

Note: UV Coating to the outside of the frame.

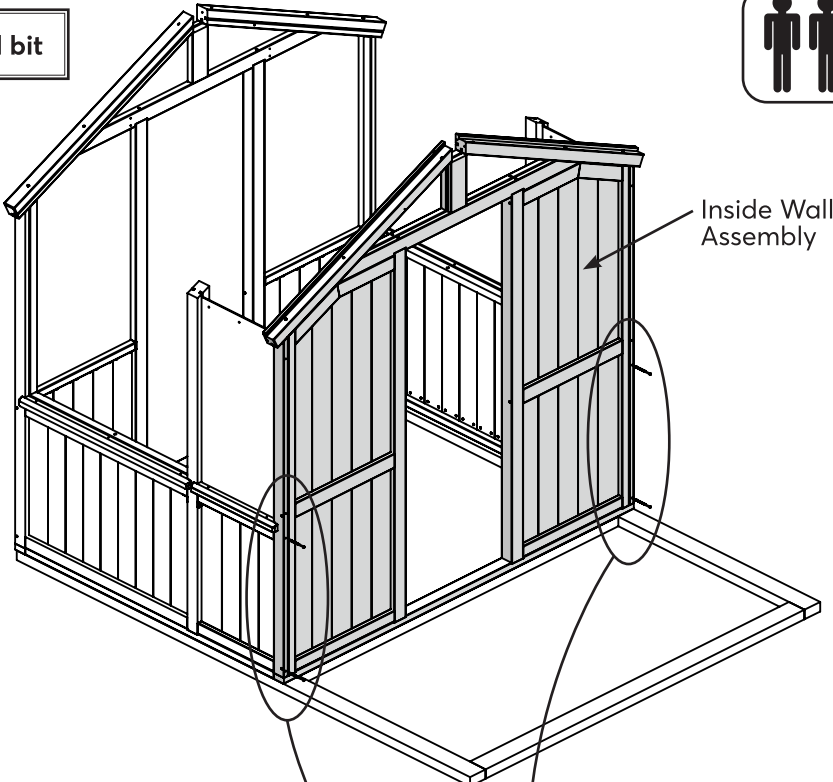
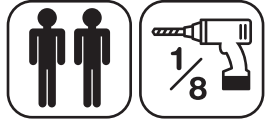


Components

2 x Side Wall Panel

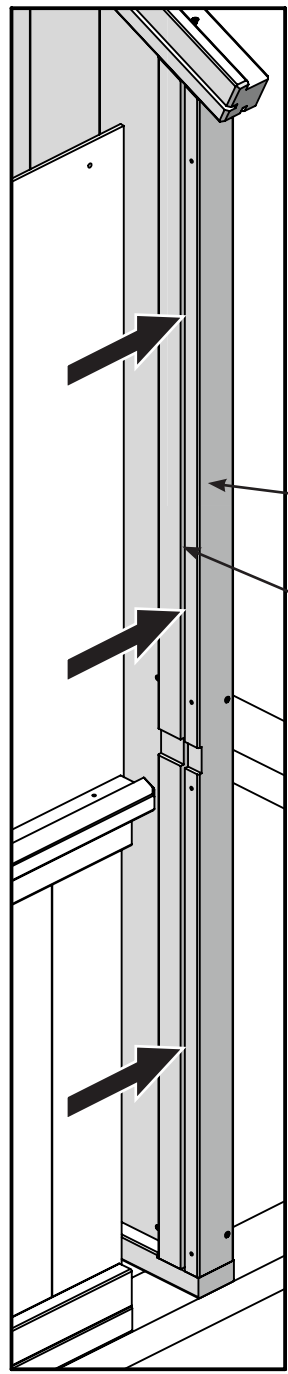
38

Pre-drill holes with a 1/8" drill bit



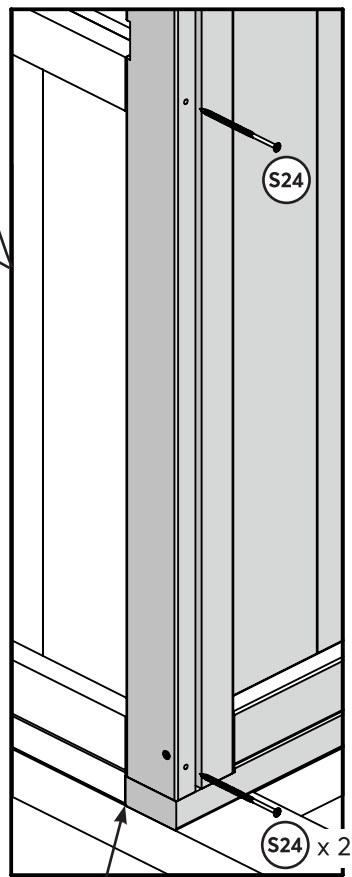
Inside Wall Assembly

Rotated View



Inside Wall Assembly

Groove



S24

S24 x 2 per side

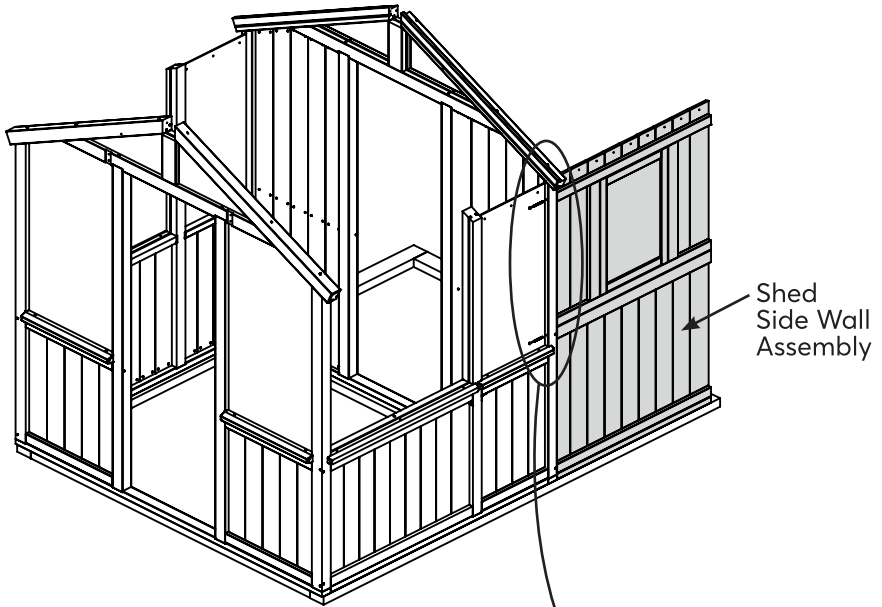
Flush

Hardware

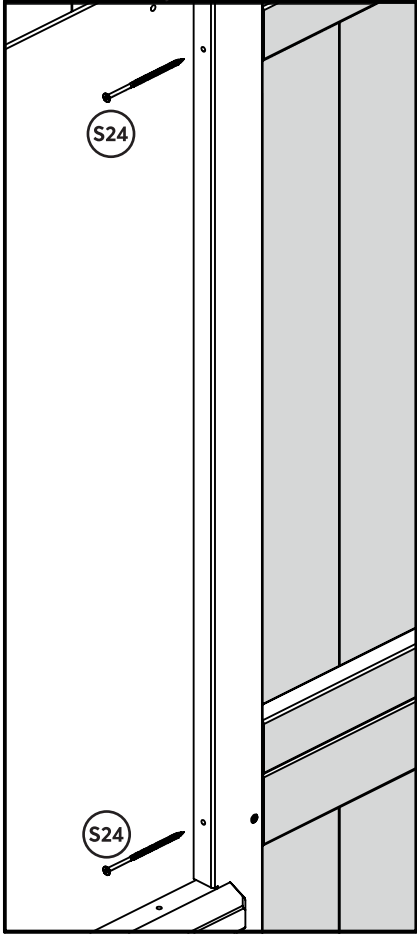
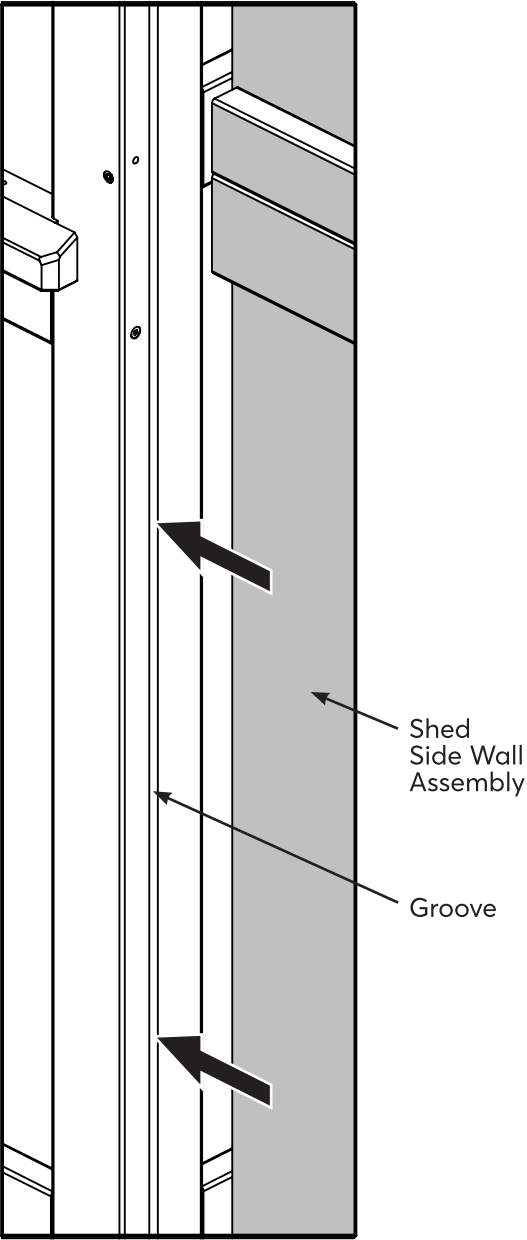
4 x S24

39

Pre-drill holes with a 1/8" drill bit



Rotated View



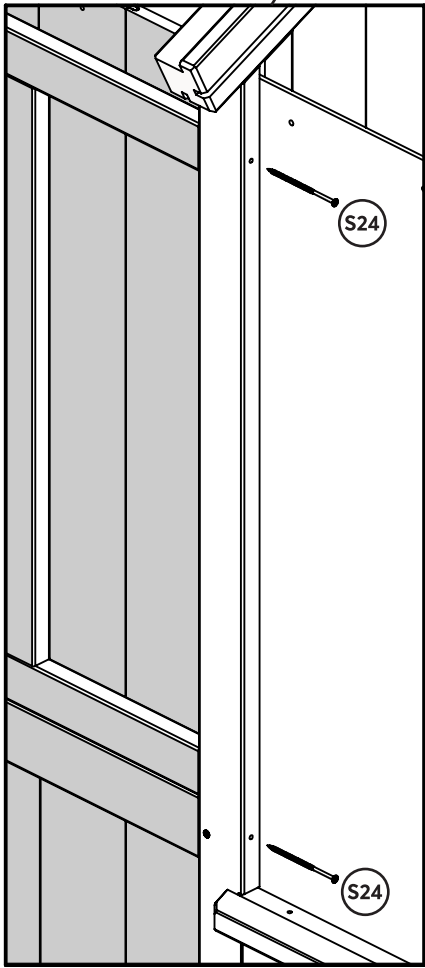
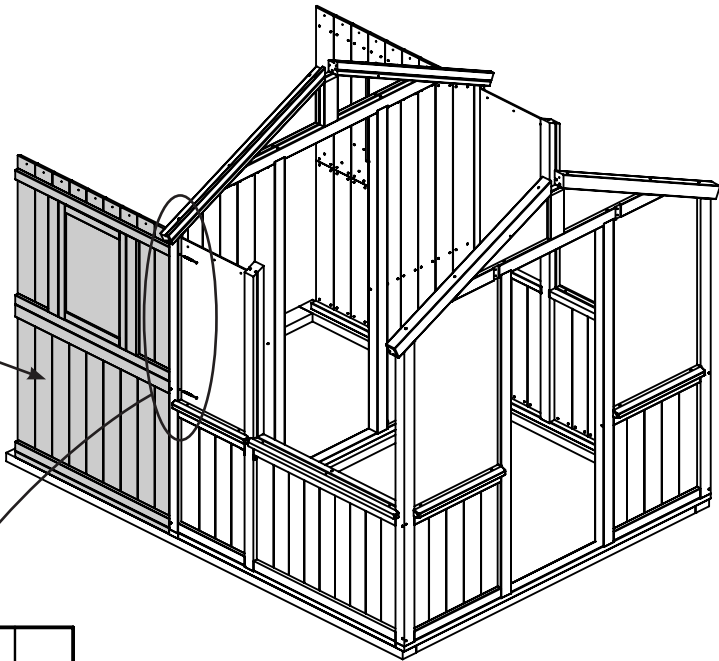
Hardware

2 x (S24)

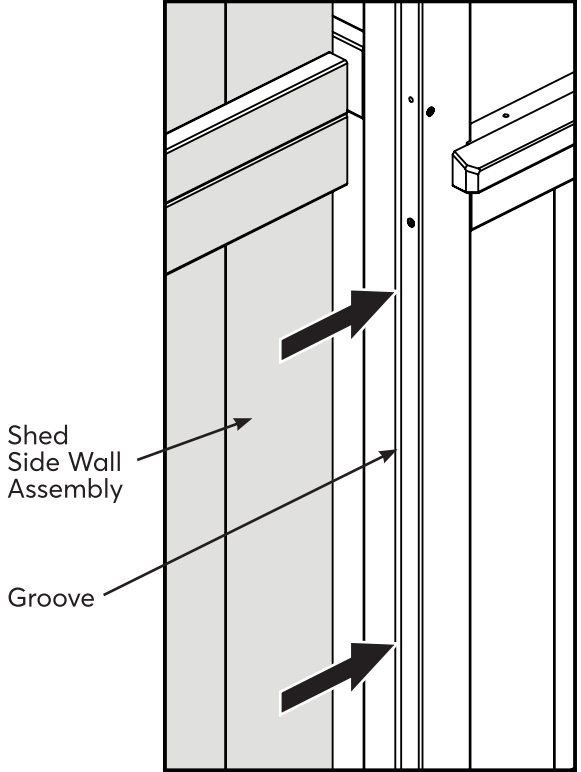
Pre-drill holes with a 1/8" drill bit



Shed Side Wall Assembly



Rotated View

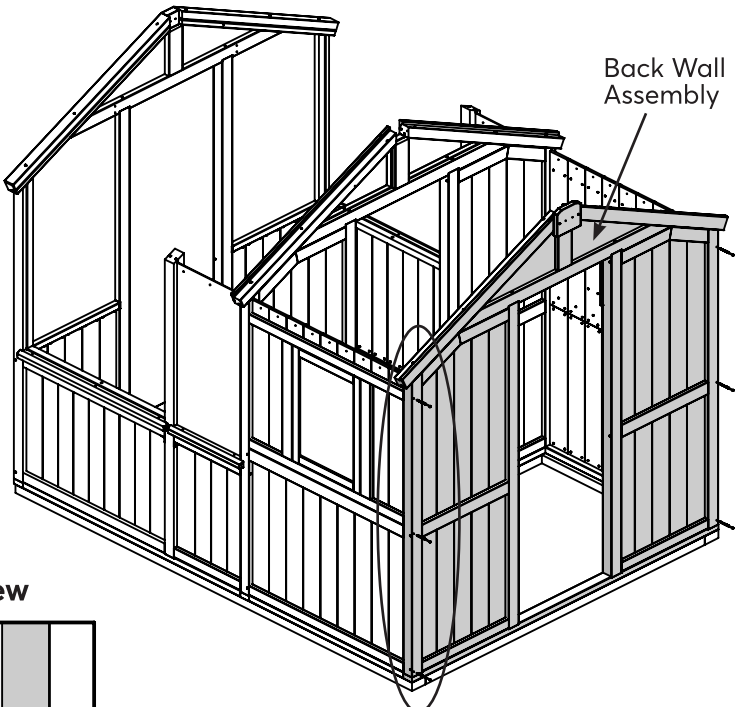


Hardware

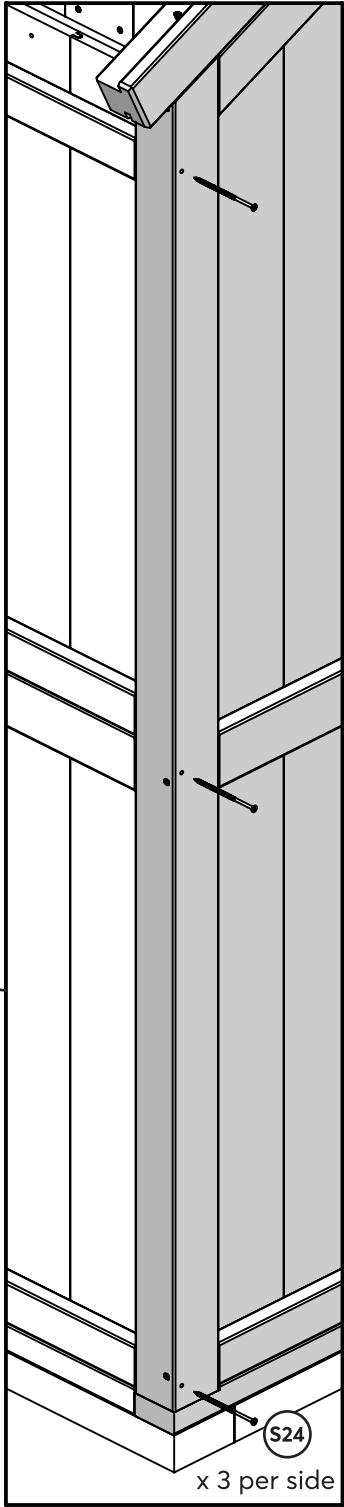
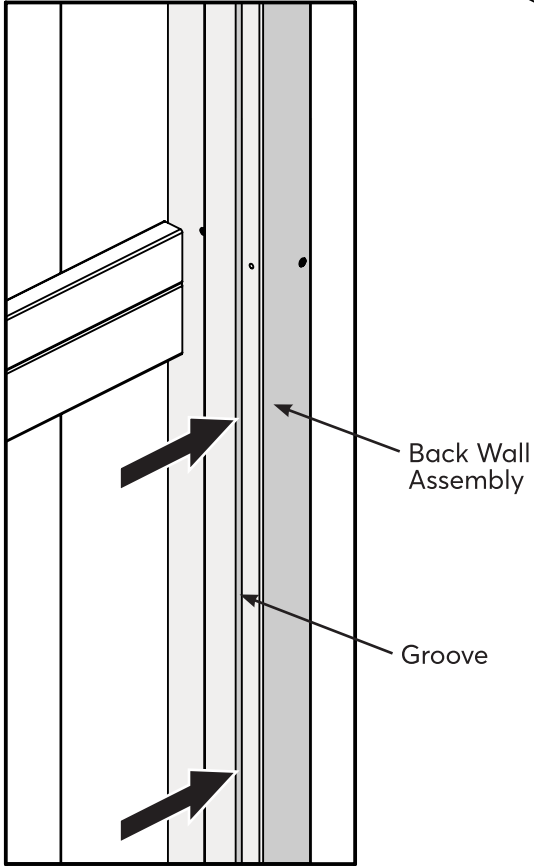
2 x S24

41

Pre-drill holes with a 1/8" drill bit

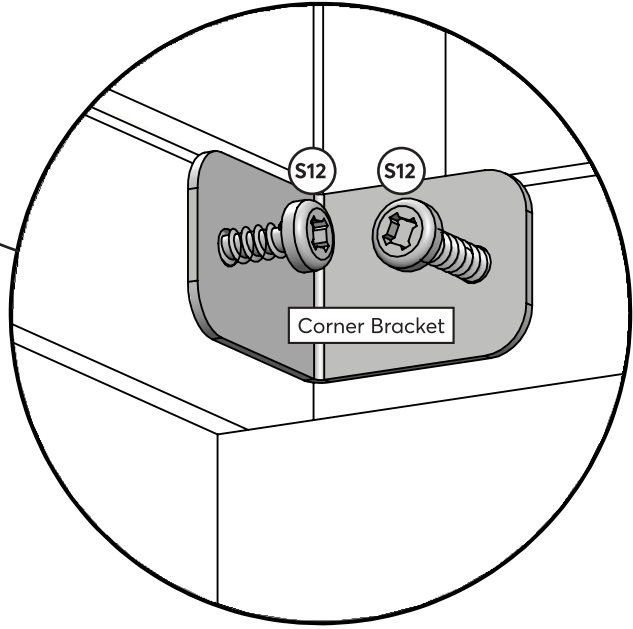
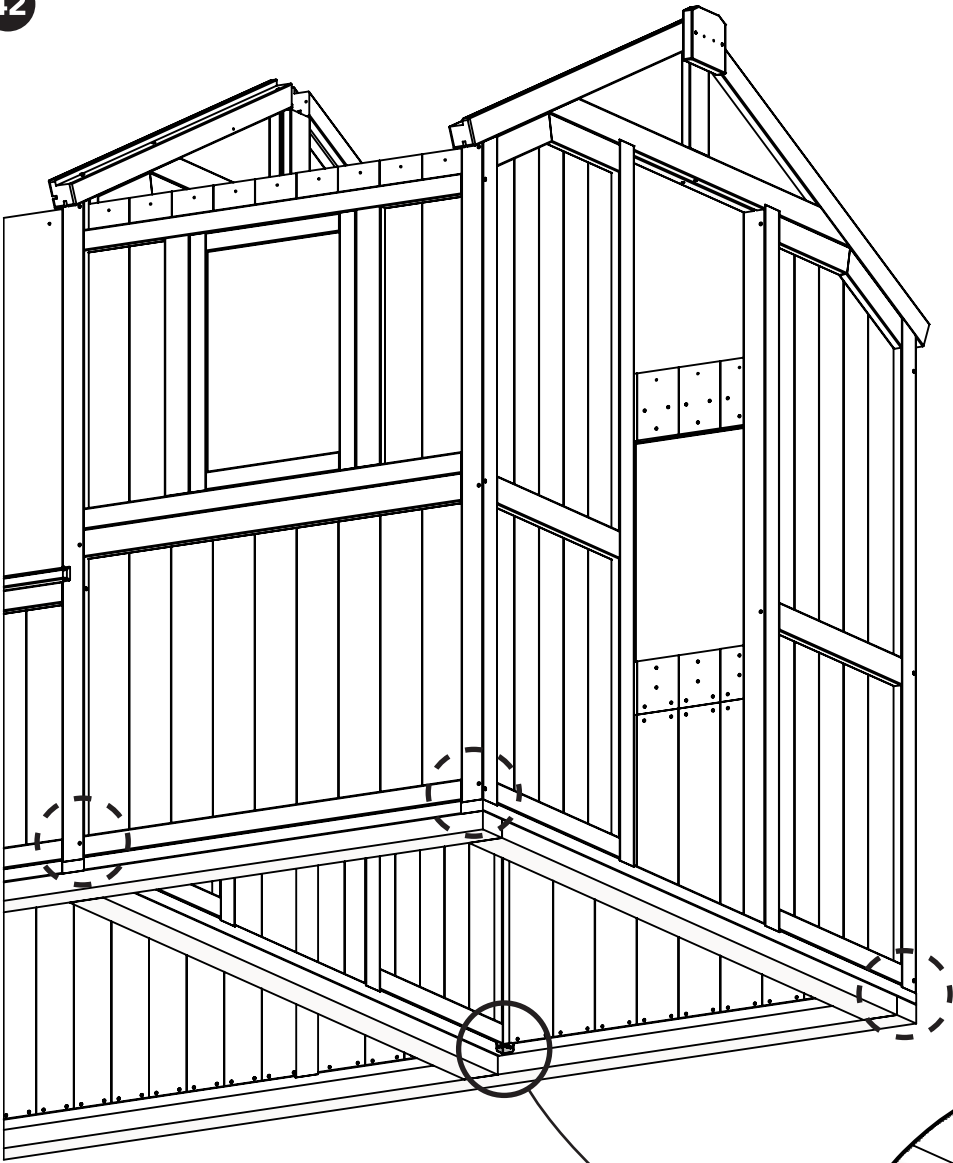


Rotated View



Hardware

6 x S24

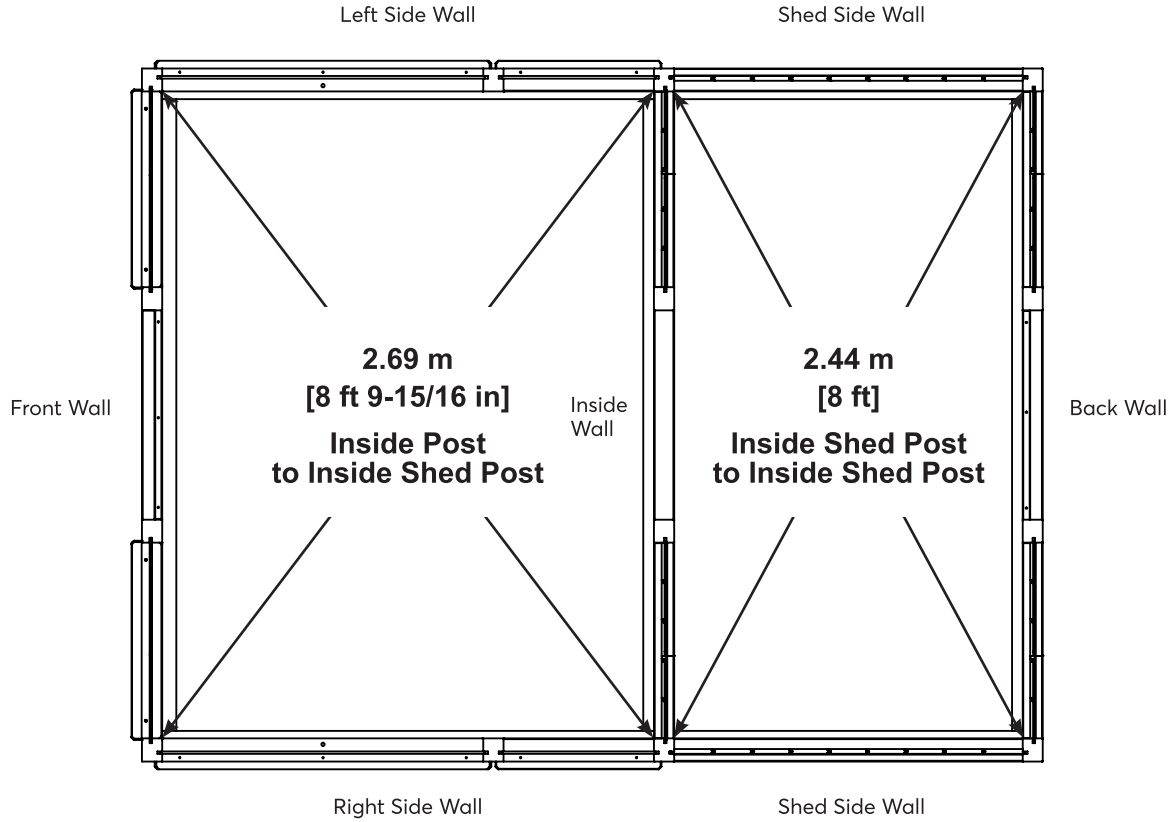


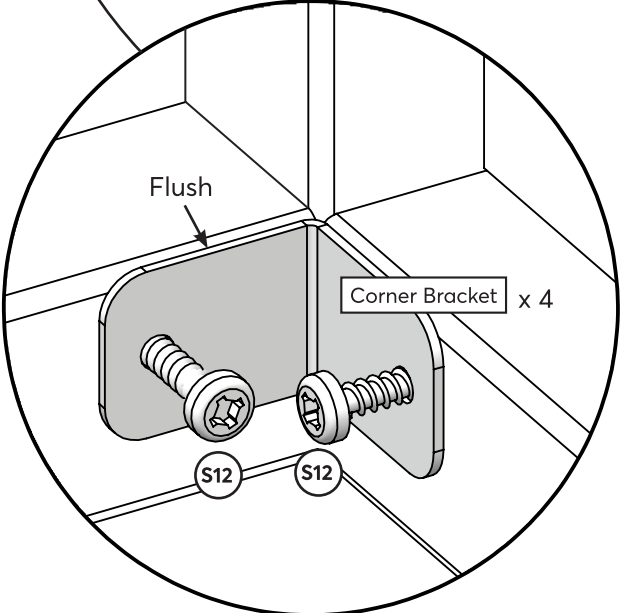
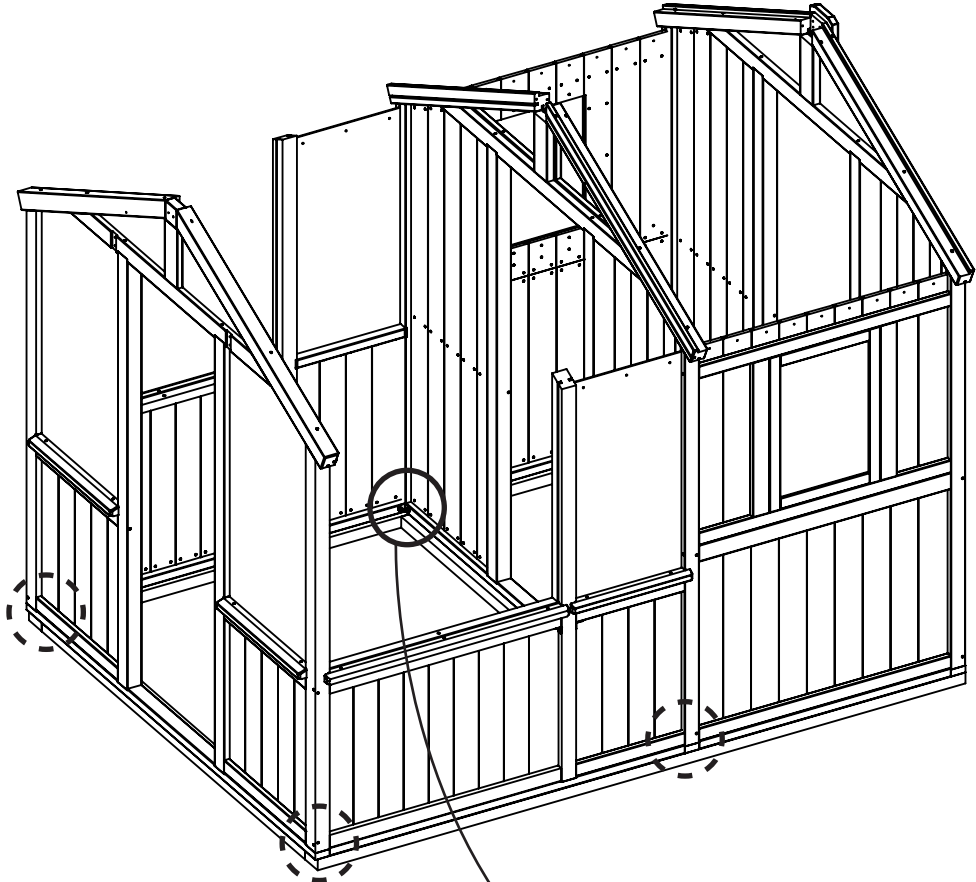
Hardware
8 x (S12) (Yellow)

Components
4 x Corner Bracket

43

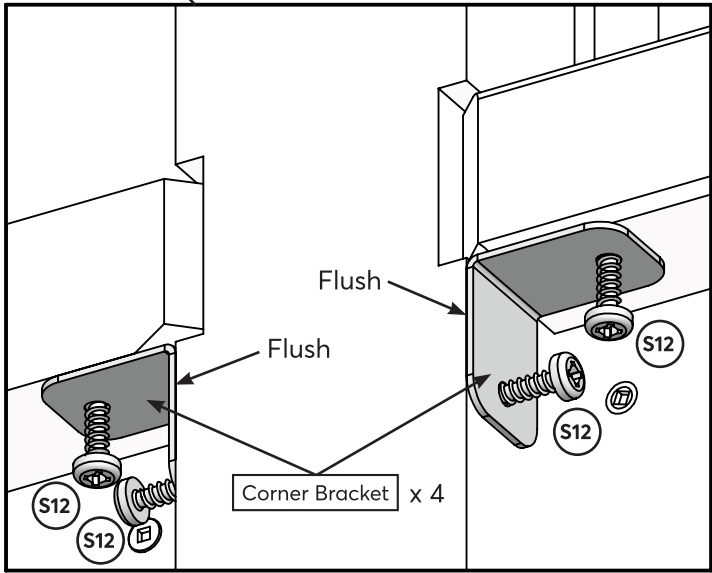
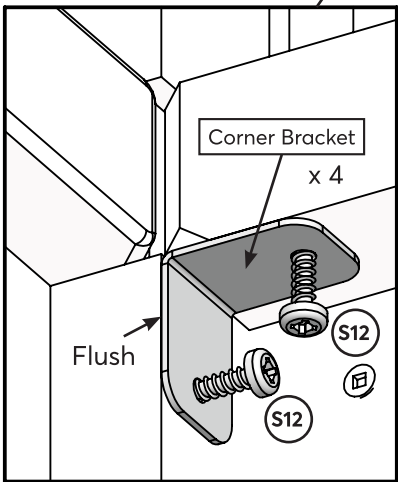
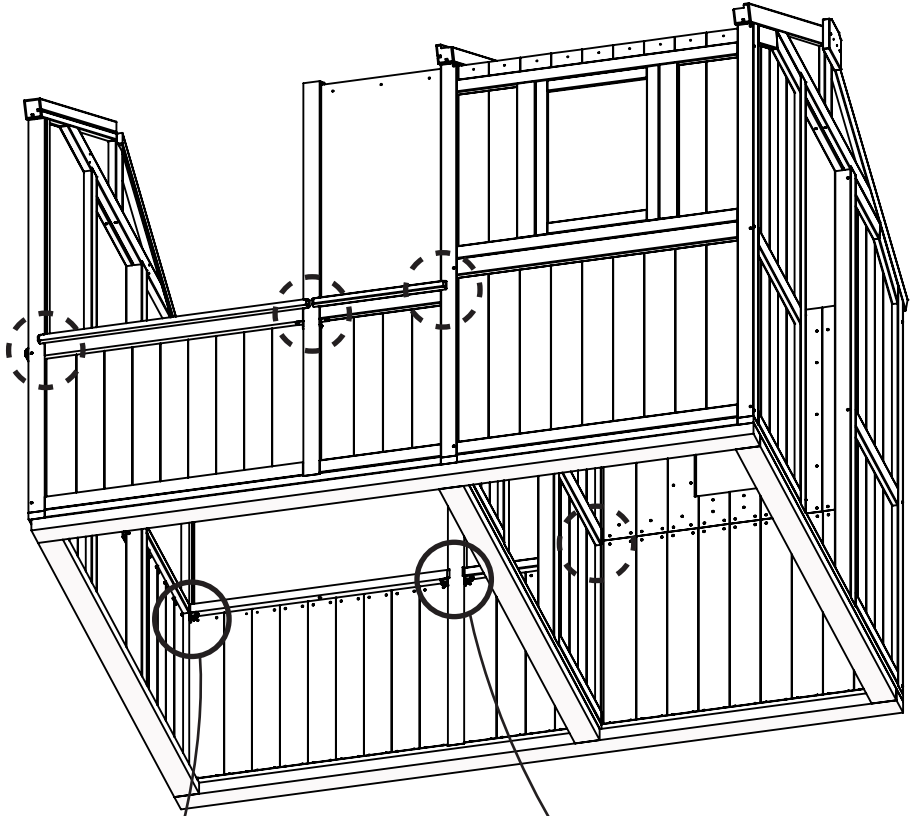
Check that assembly is square and that diagonal distance from Inside Post to Inside Shed Post measures 2.69 m (8 ft 9-15/16 in), from Inside Shed Post to Inside Shed Post measures 2.44 m (8 ft)





Hardware
8 x (S12) (Yellow)

Components
4 x Corner Bracket

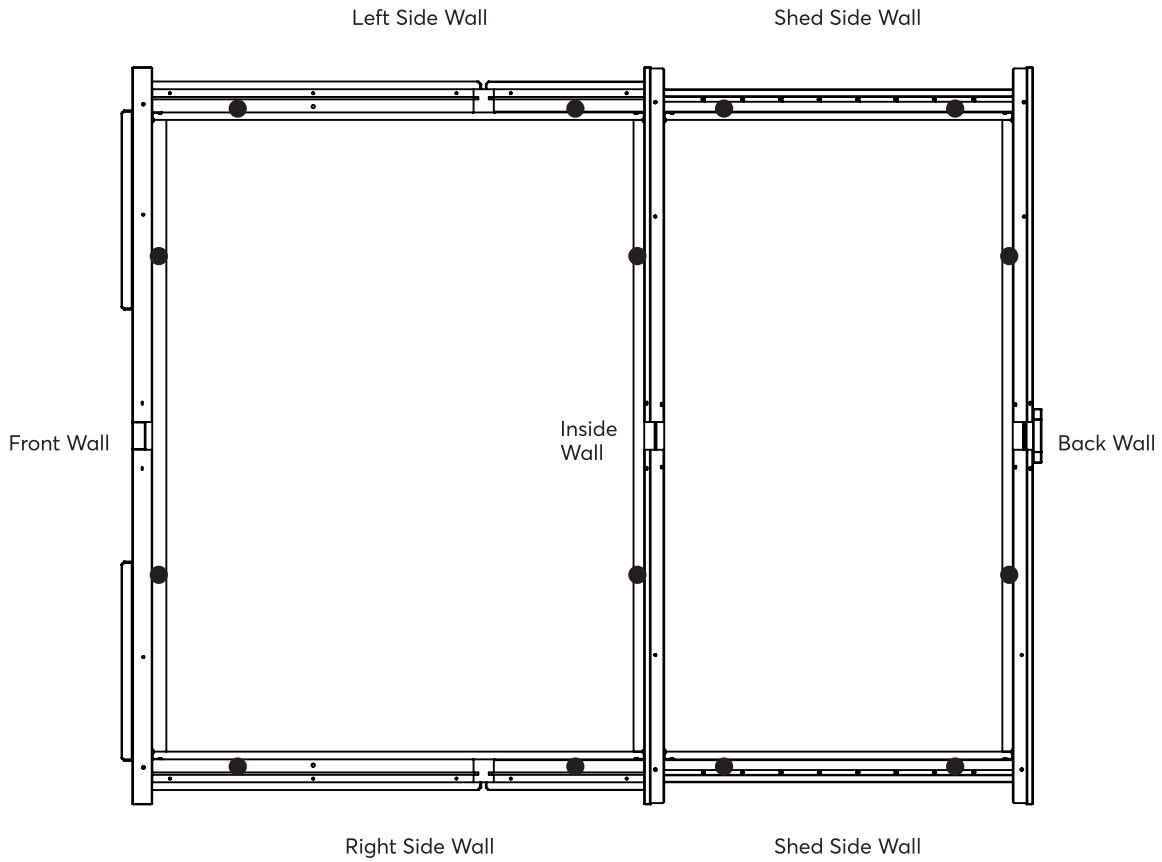


Hardware
16 x S12 (Yellow)

Components
8 x Corner Bracket

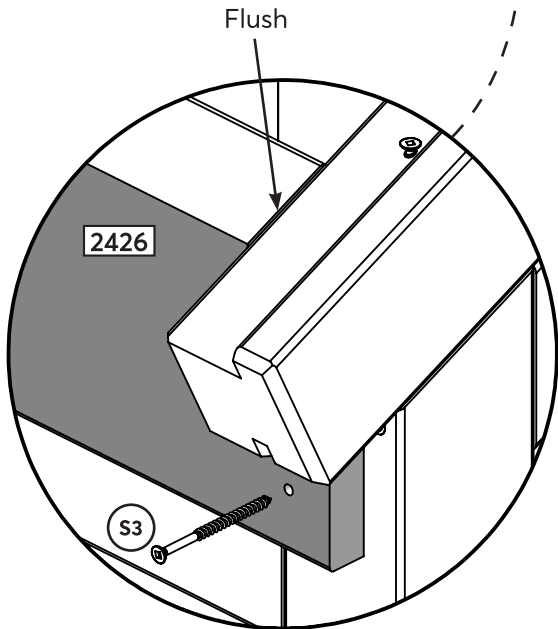
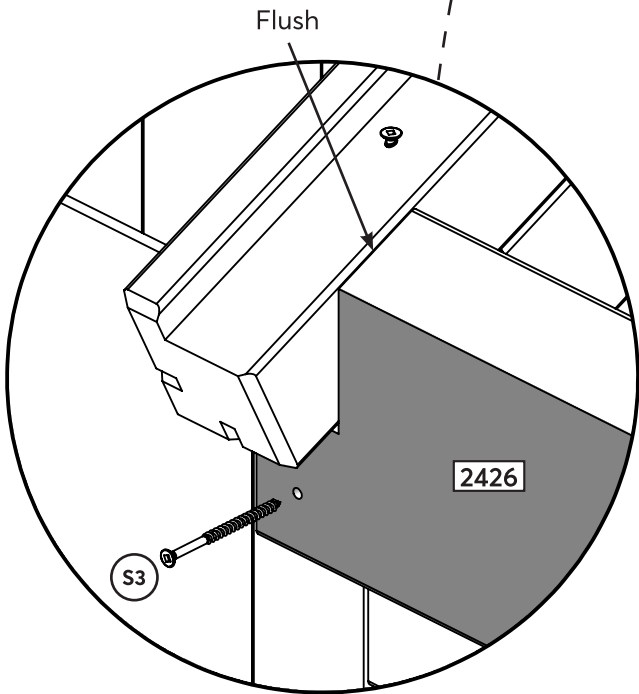
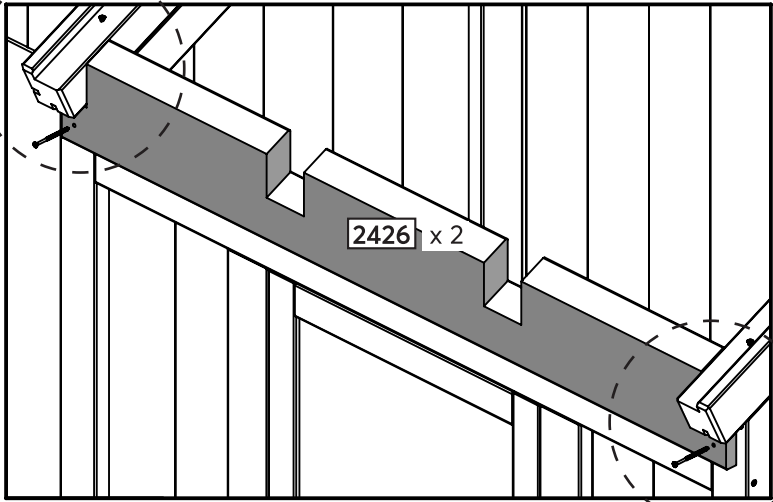
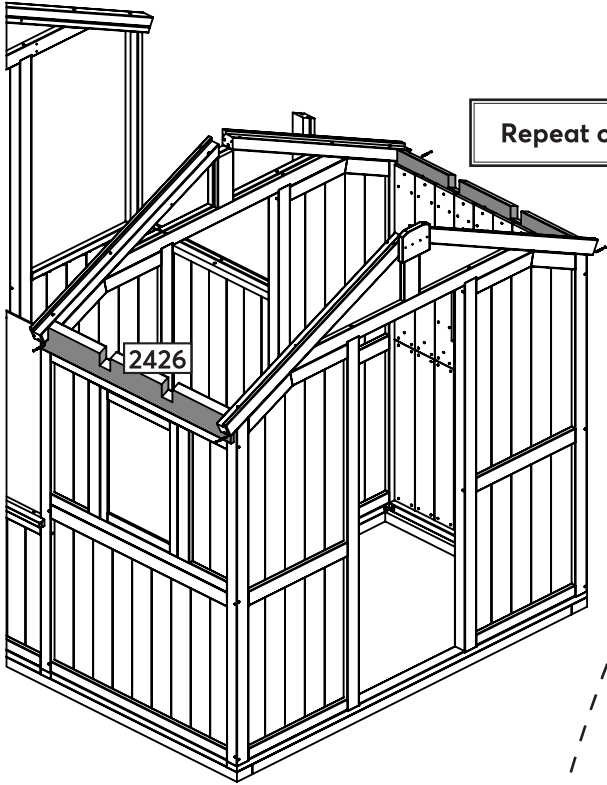


Using the purchased hardware as mentioned on page 7, pre-drill then secure the Front Wall, Back Wall, Inside Wall, Shed Side Wall and Left & Right Side Walls to the base in the locations shown



47

Repeat on the other side

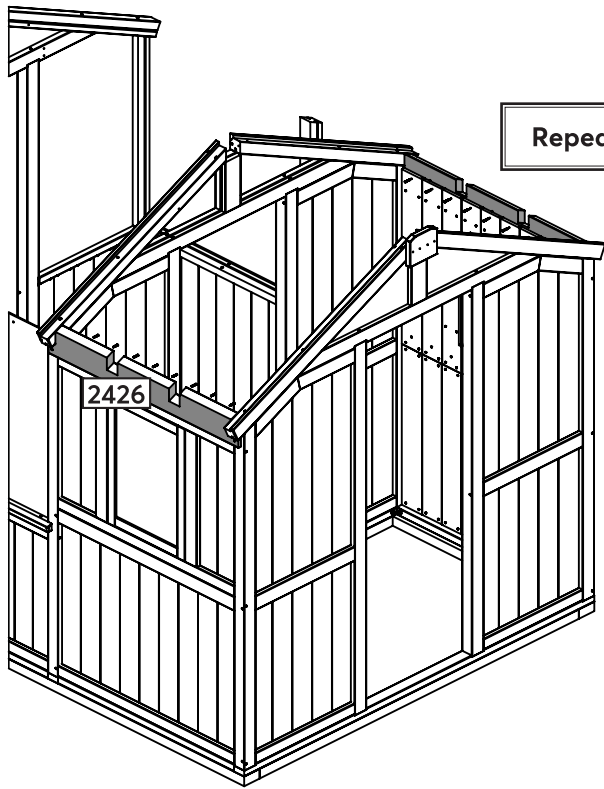


Wood Parts

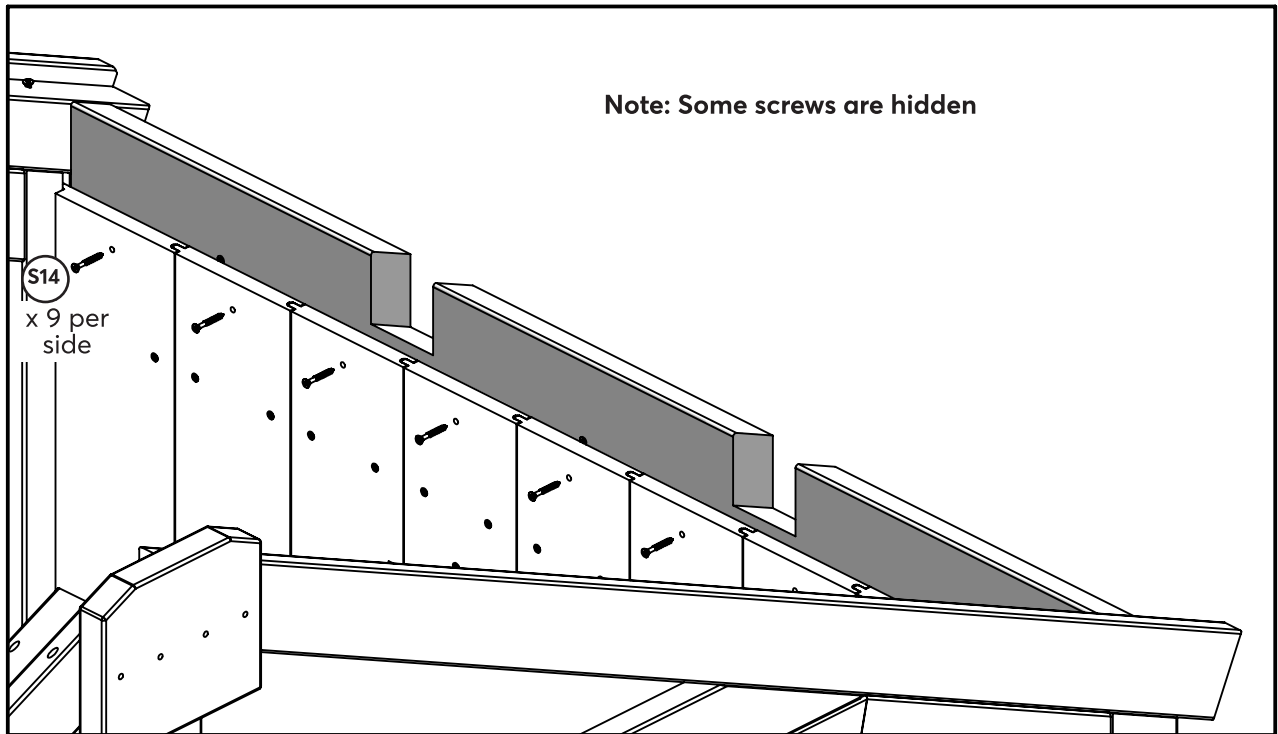
2 x 2426

Hardware

4 x S3



Repeat on the other side



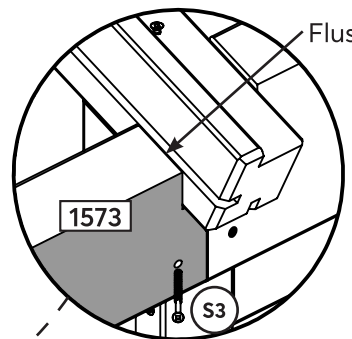
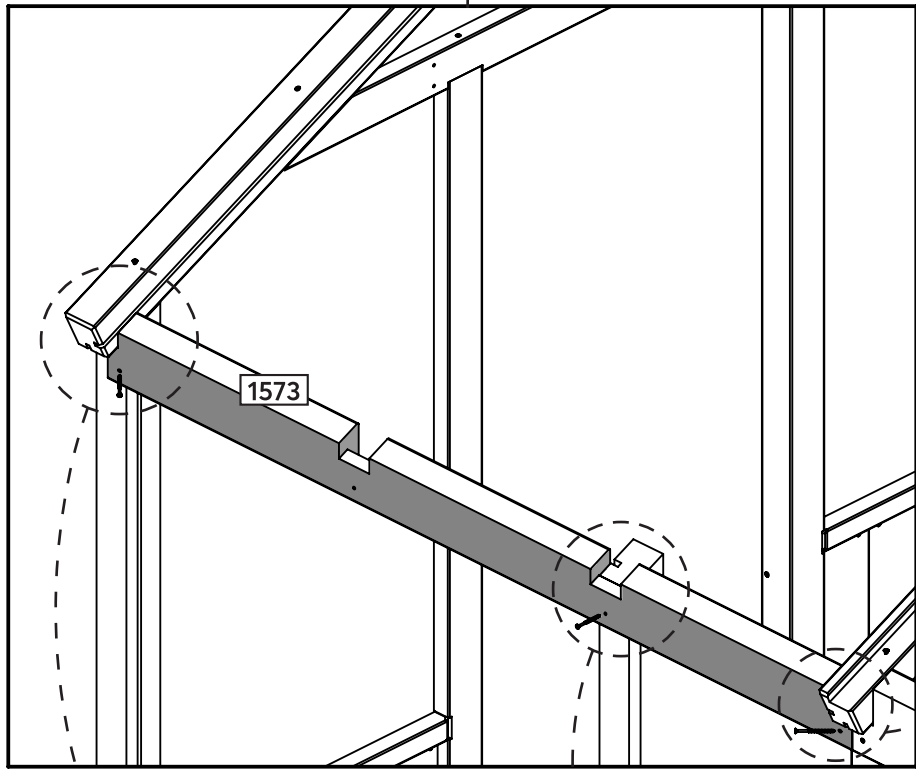
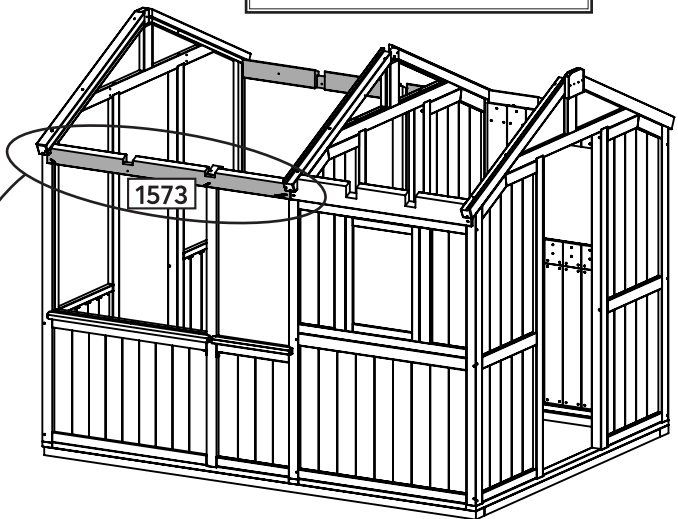
Note: Some screws are hidden

S14
x 9 per
side

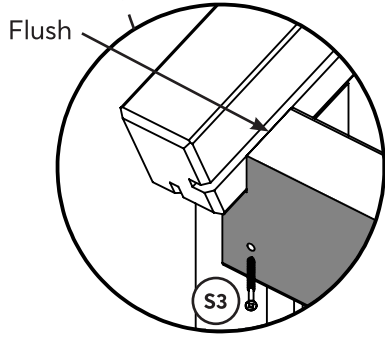
Hardware

18 x (S14)

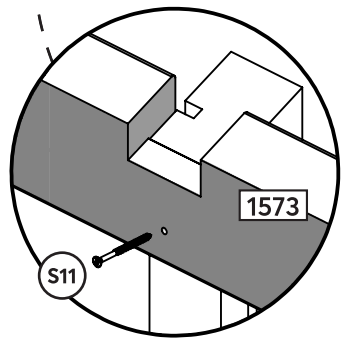
Repeat on the other side



Notice screw into Right Post is at an angle



Notice screw into Left Post is at an angle



Wood Parts
2 x 1573

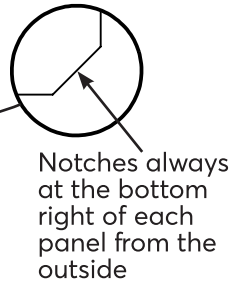
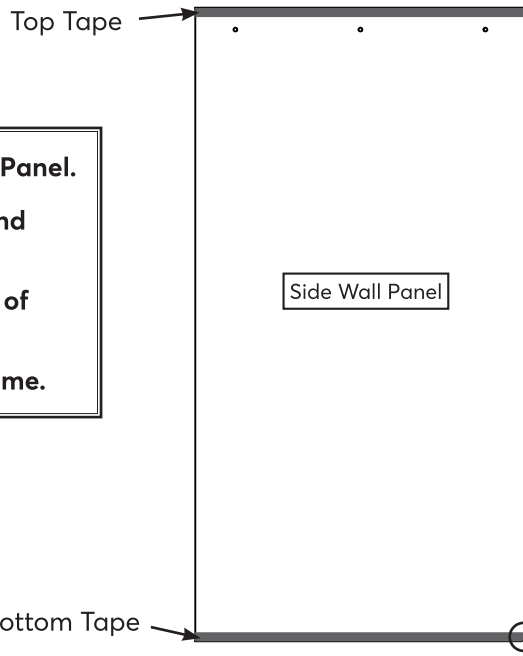
Hardware
2 x S11
4 x S3

Remove film from both sides of Side Wall Panel.

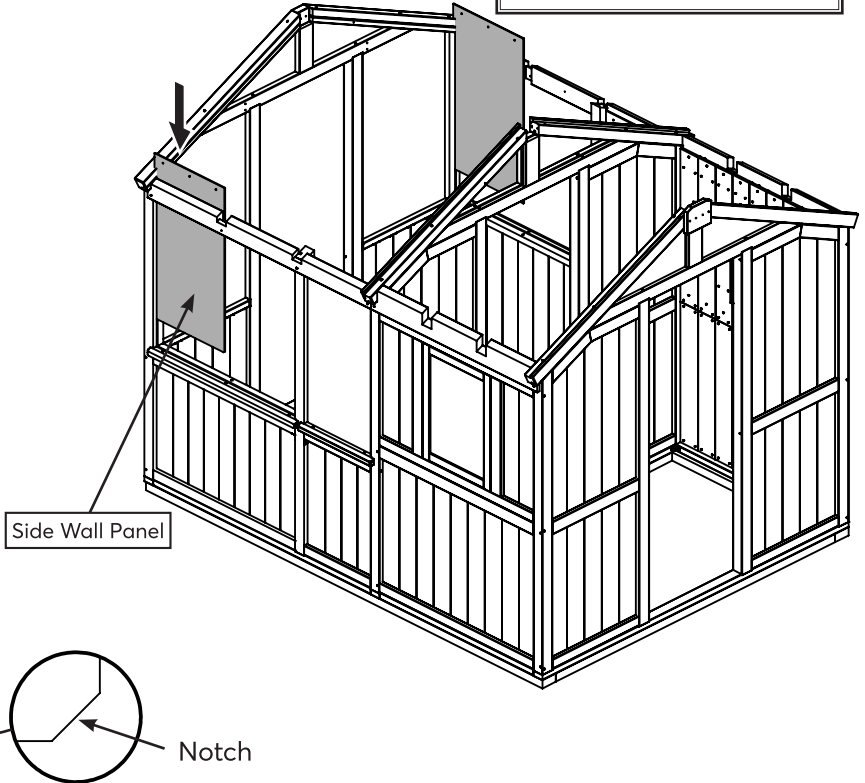
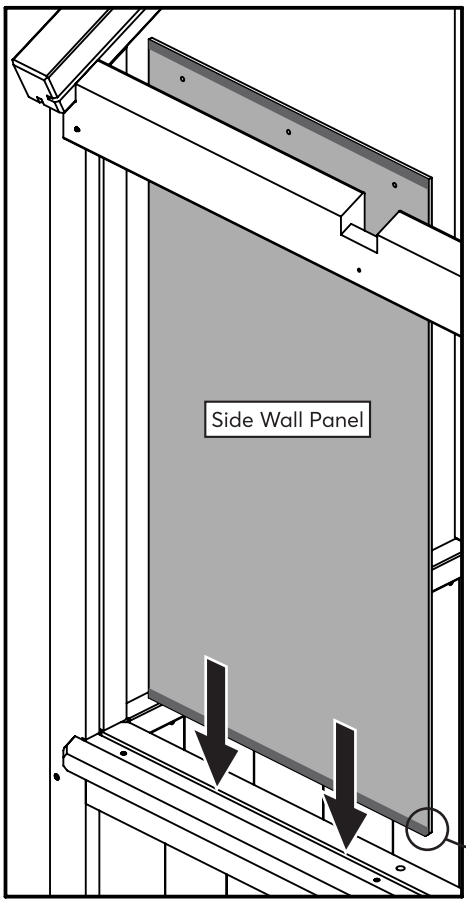
Refer to pages 19 and 20 and apply top and bottom tape to Side Wall Panel.

Note: Notches always at the bottom right of each panel from the outside.

Note: UV Coating to the outside of the frame.

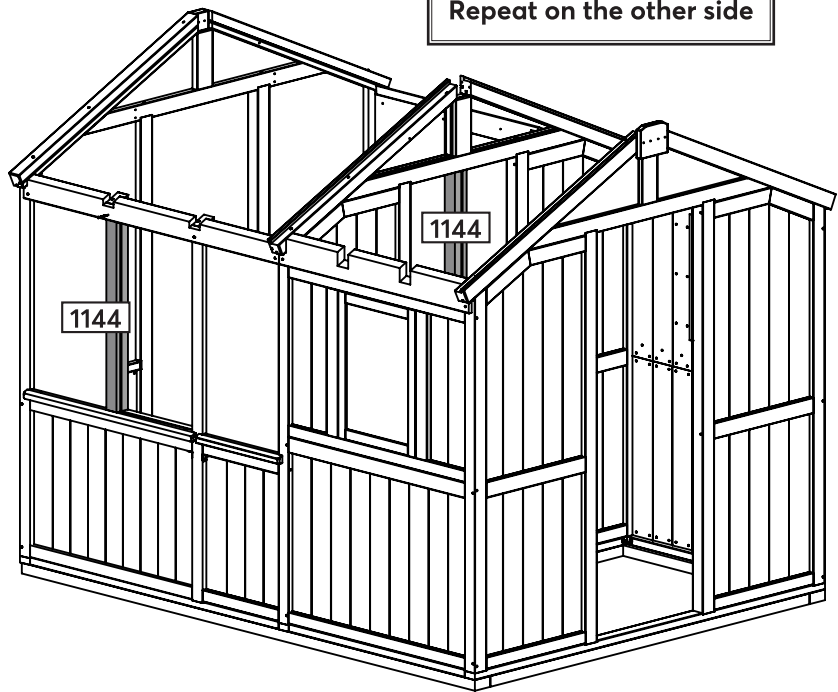


Repeat on the other side

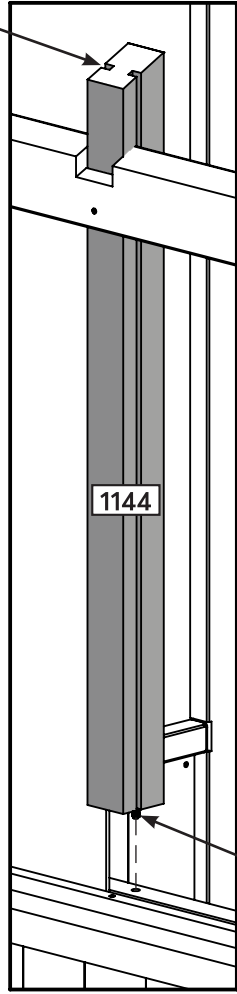


Components
2 x Side Wall Panel

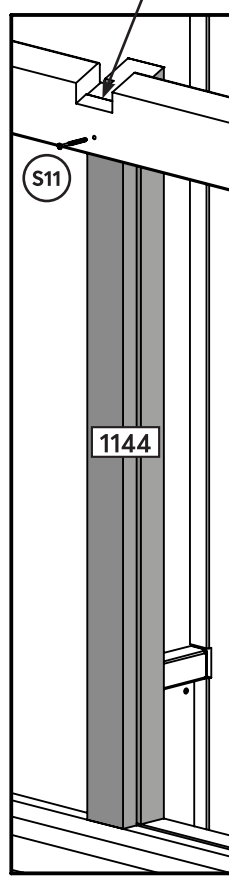
Repeat on the other side



Grooves face towards the sides



Flush



Dowels at bottom

Wood Parts
2 x 1144

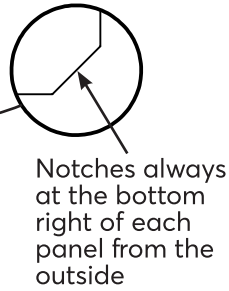
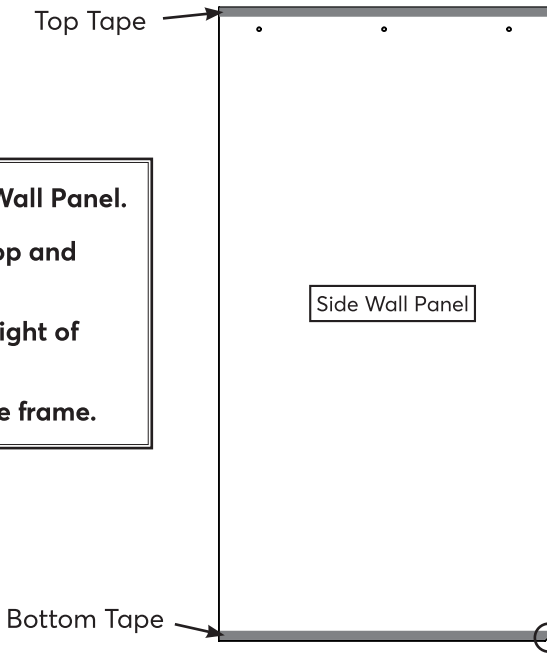
Hardware
2 x S11

Remove film from both sides of Side Wall Panel.

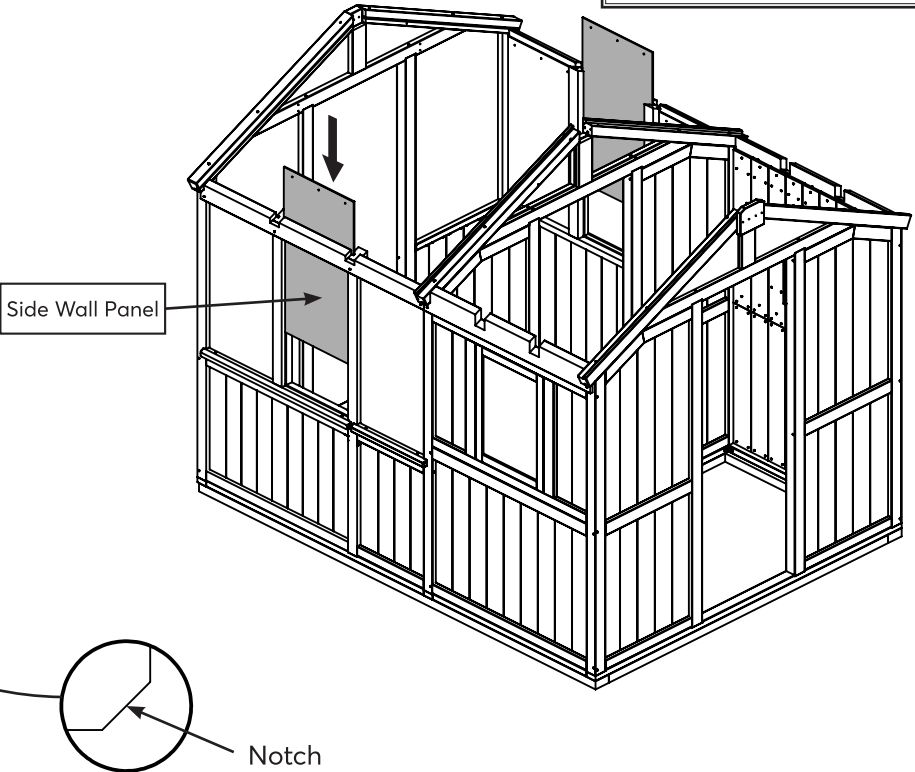
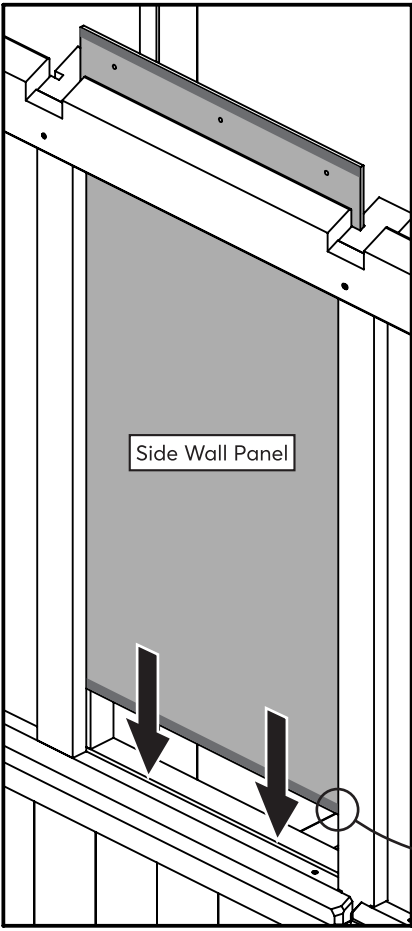
Refer to pages 19 and 20 and apply top and bottom tape to Side Wall Panel.

Note: Notches always at the bottom right of each panel from the outside.

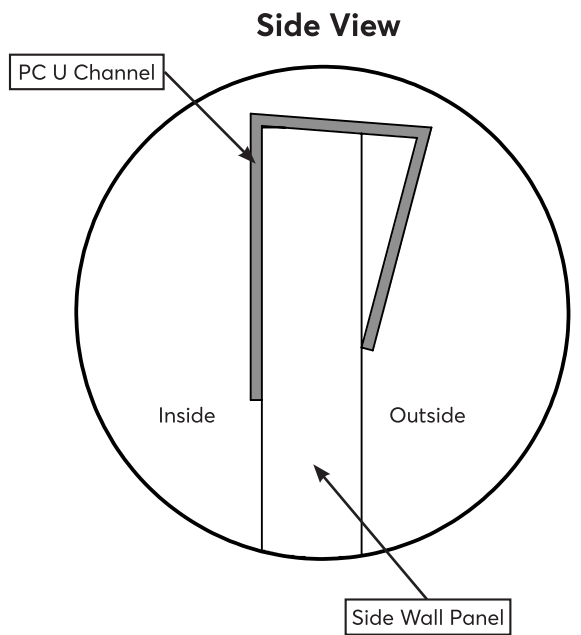
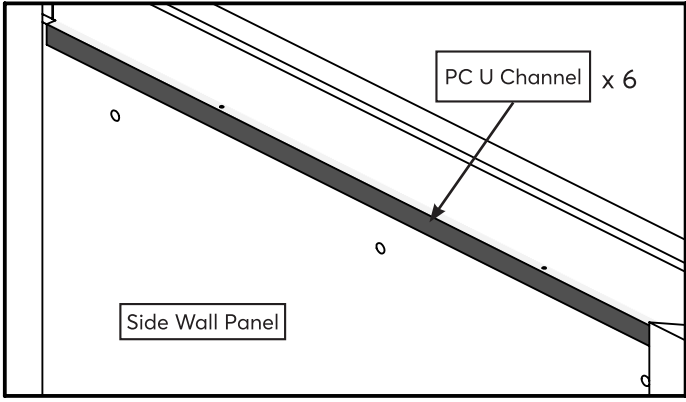
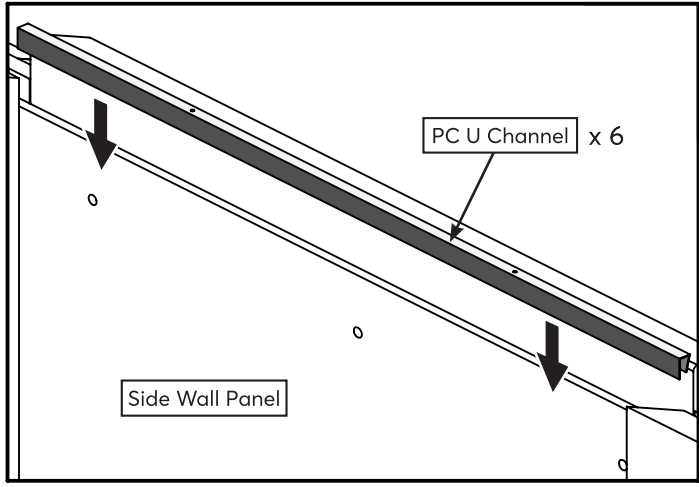
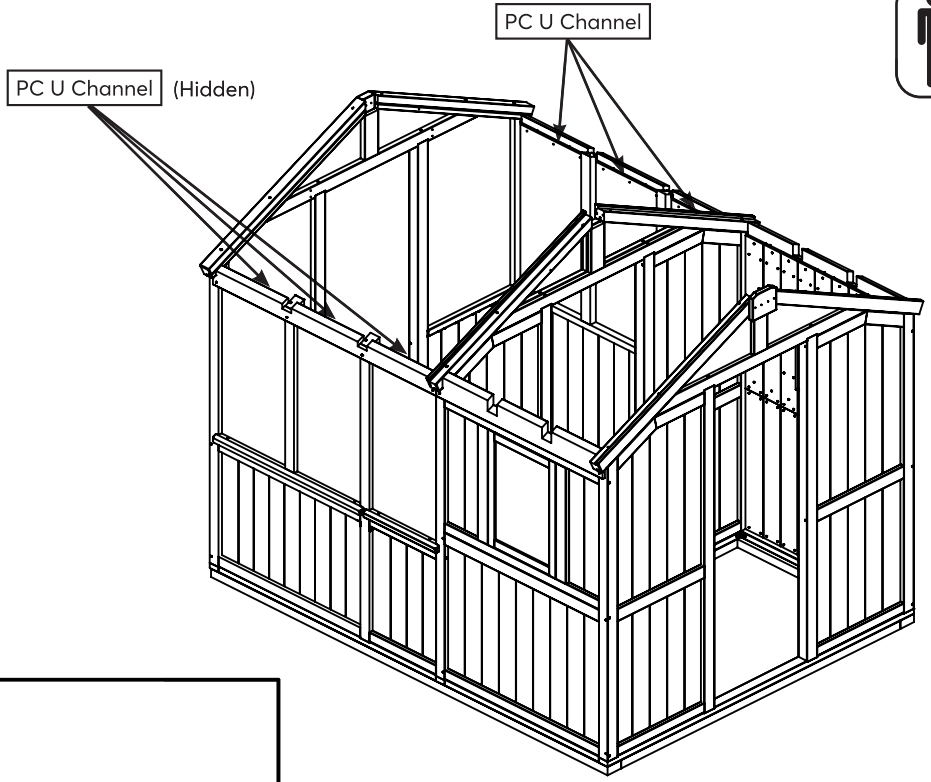
Note: UV Coating to the outside of the frame.



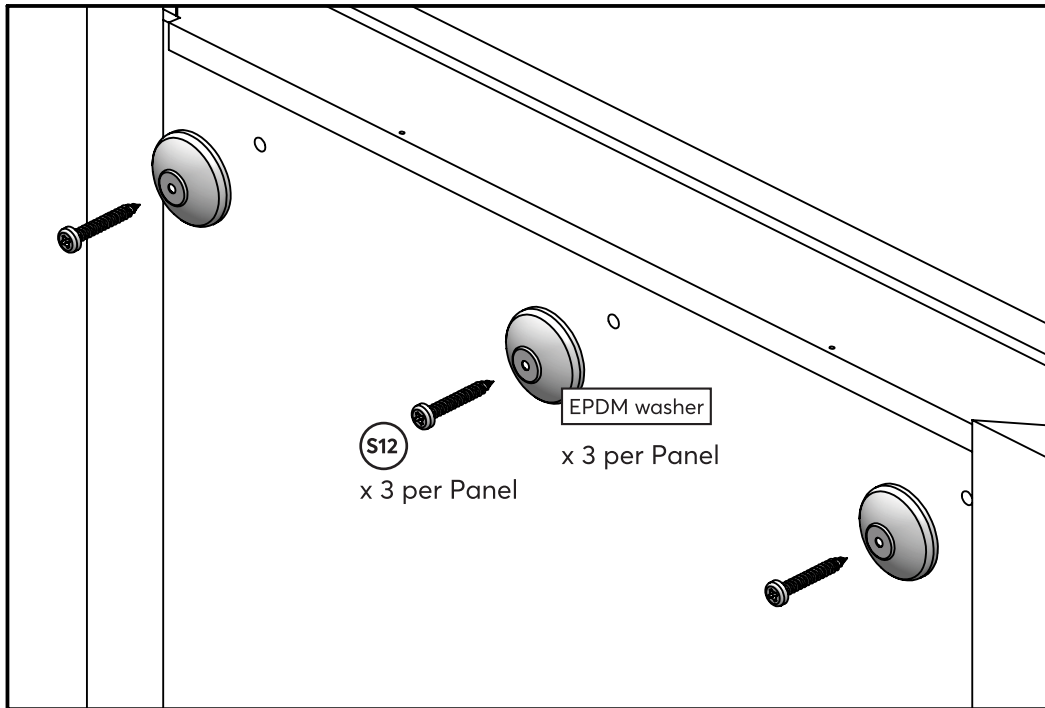
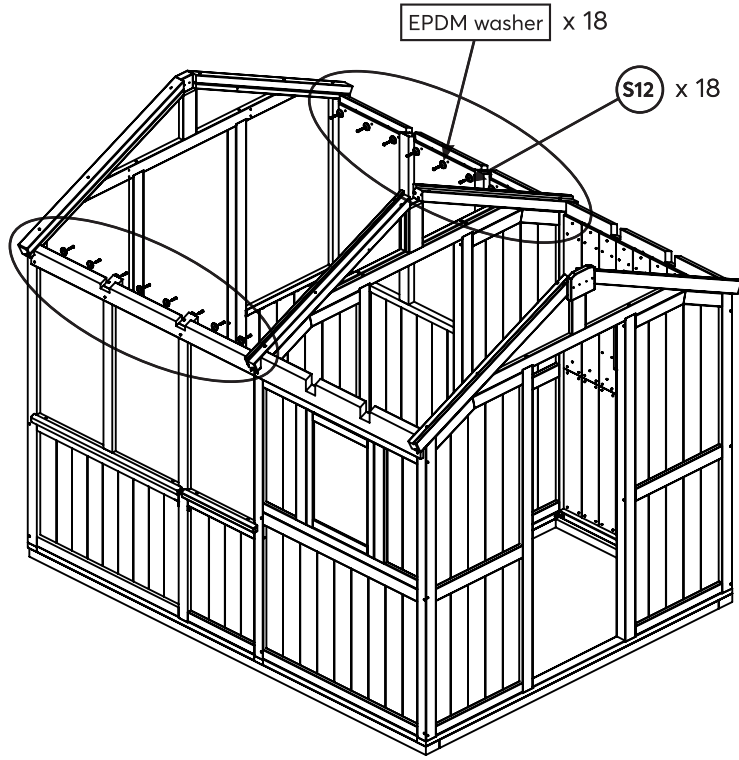
Repeat on the other side



Components
2 x Side Wall Panel



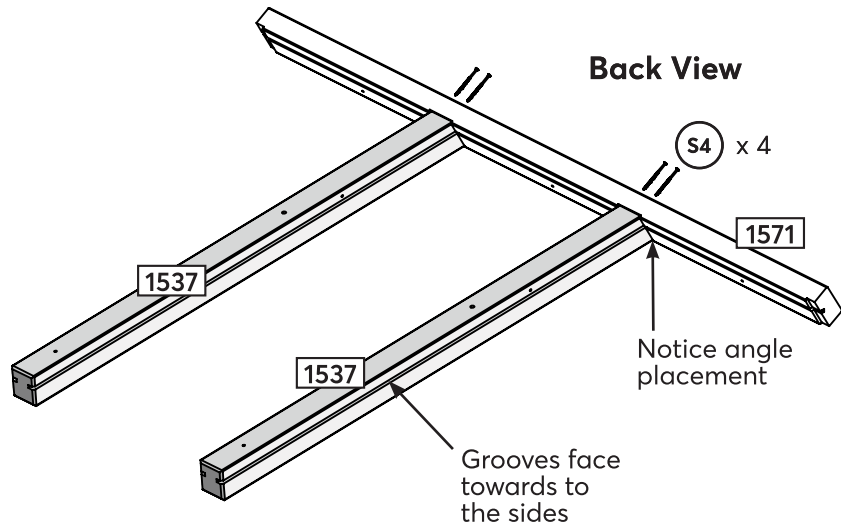
Components
6 x PC U Channel



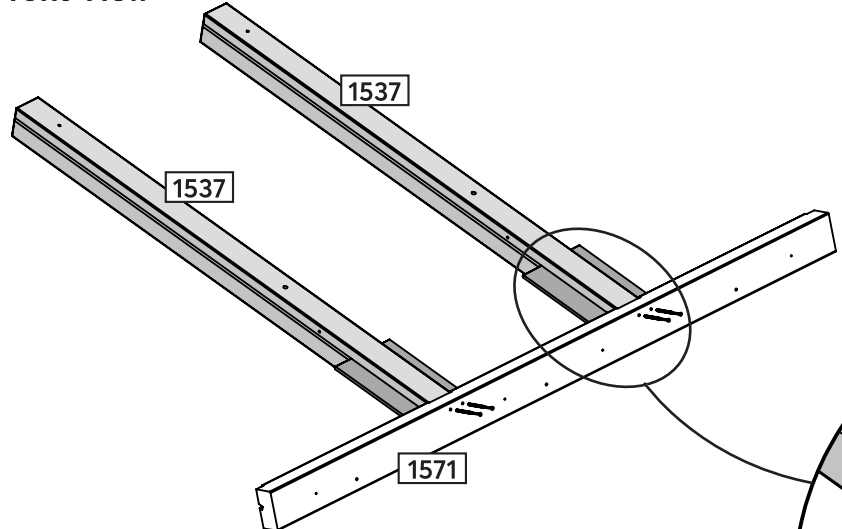
Hardware
18 x S12 (Black)

Components
18 x EPDM washer

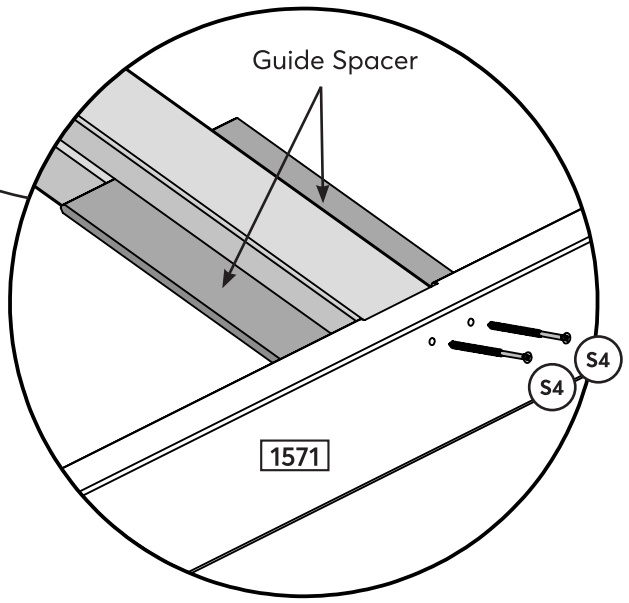
55 Roof Frame Assembly



Front View



Guide Spacer (1188) to sit in grooves of 1537 and 1571 for proper alignment, then to be removed



Wood Parts

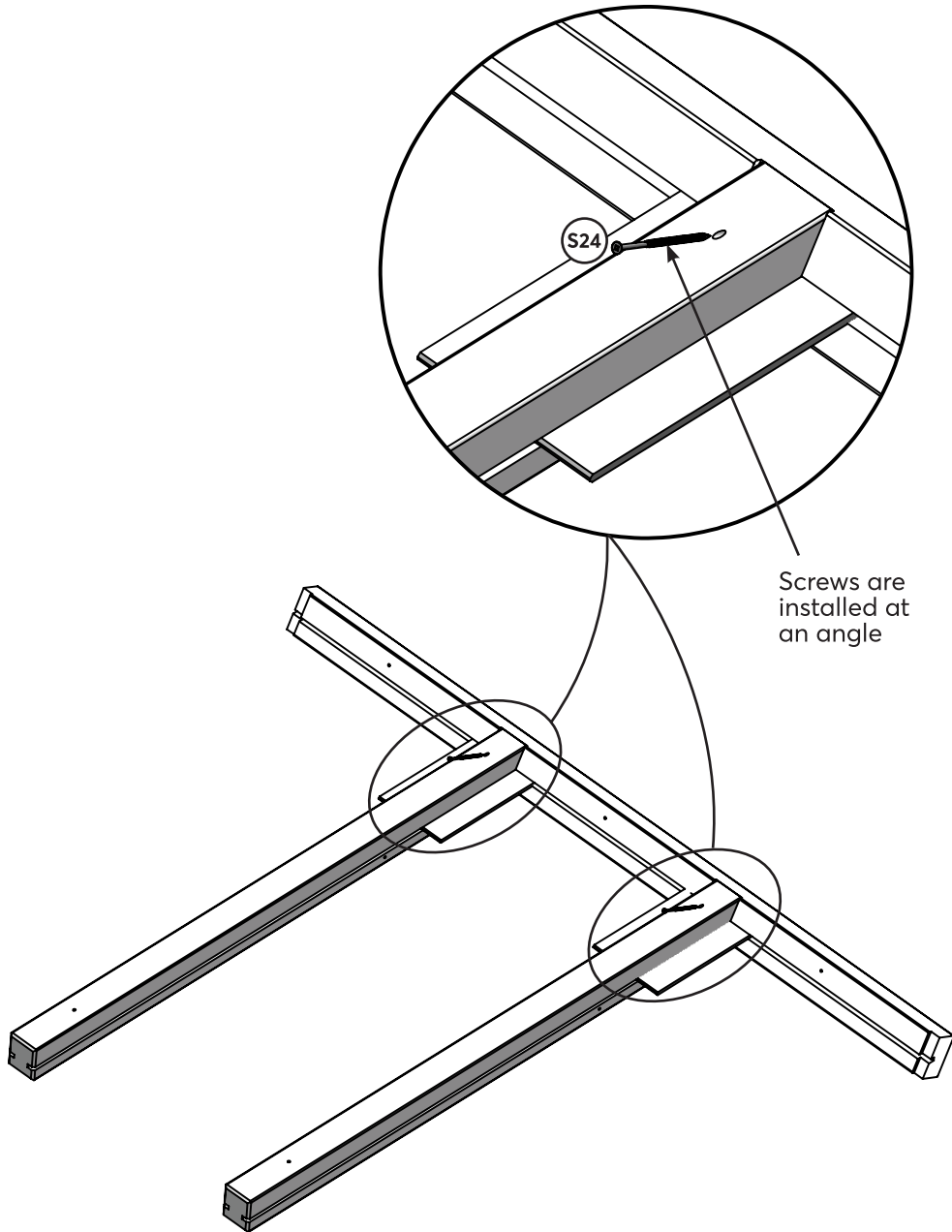
- 2 x 1537
- 1 x 1571

Hardware

- 4 x (S4)

56

Flip the assembly over
then attach the screws

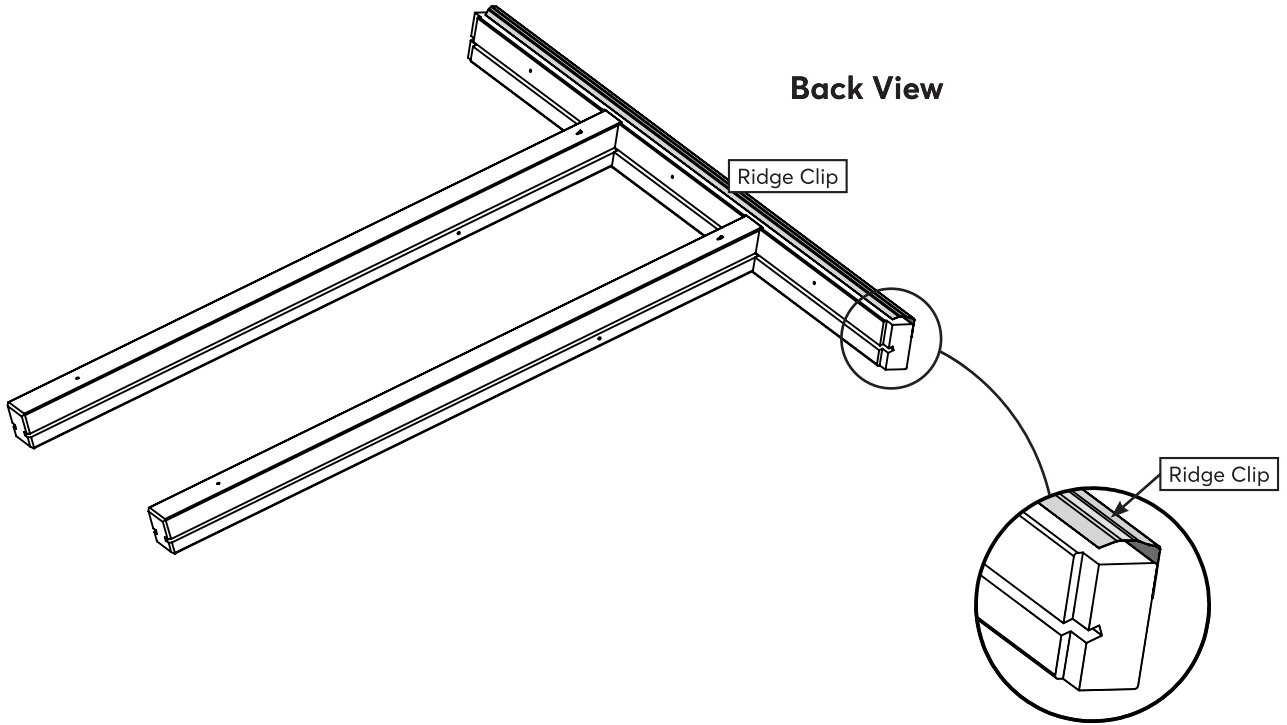


Hardware

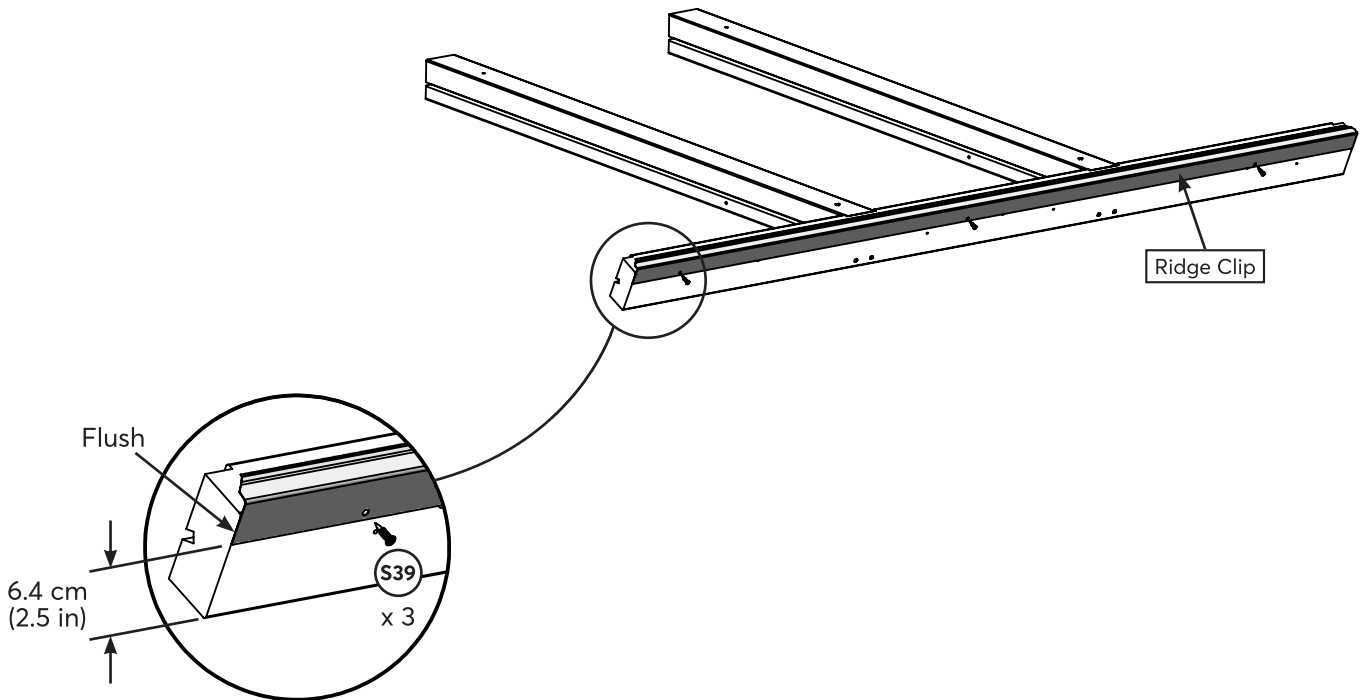
2 x (S24)



Back View



Front View



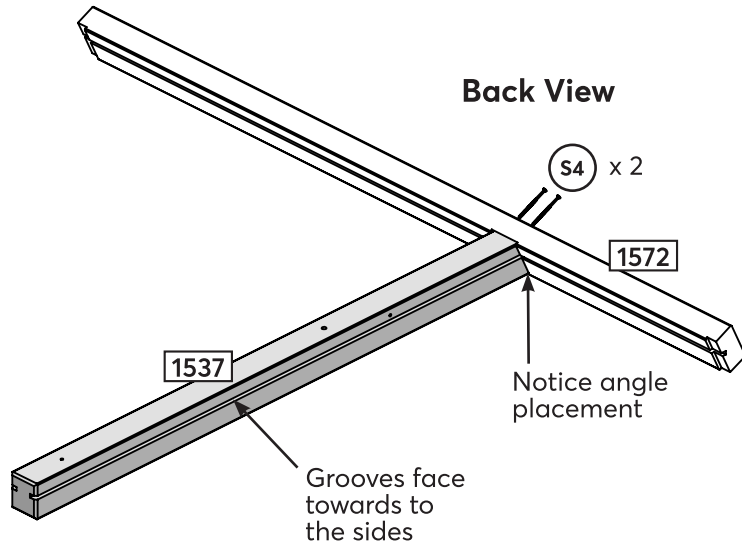
Hardware

3 x S39

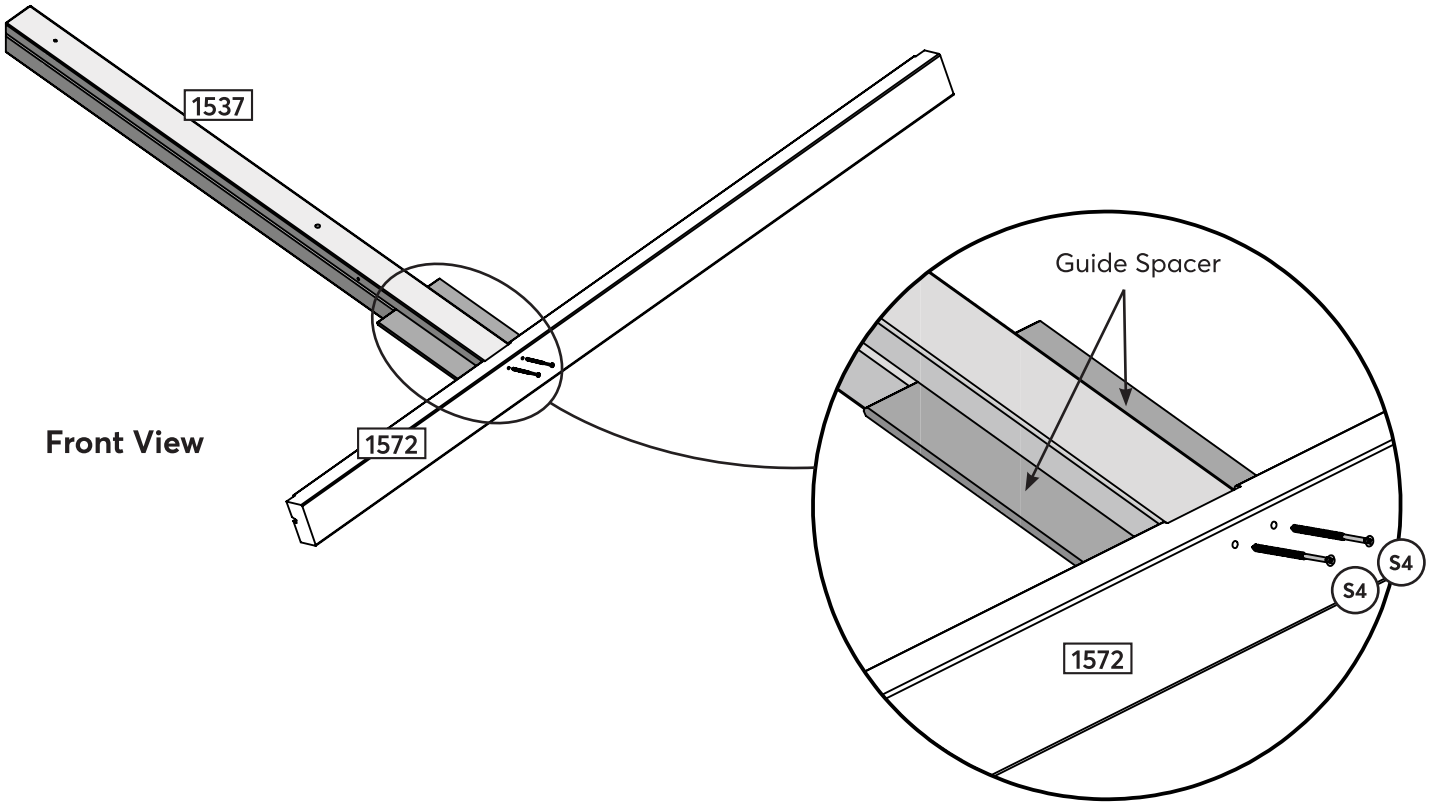
Components

1 x Ridge Clip

58 Vent Roof Frame Assembly



Guide Spacer (1188) to sit in grooves of 1537 and 1572 for proper alignment, then to be removed



Wood Parts

1 x 1537

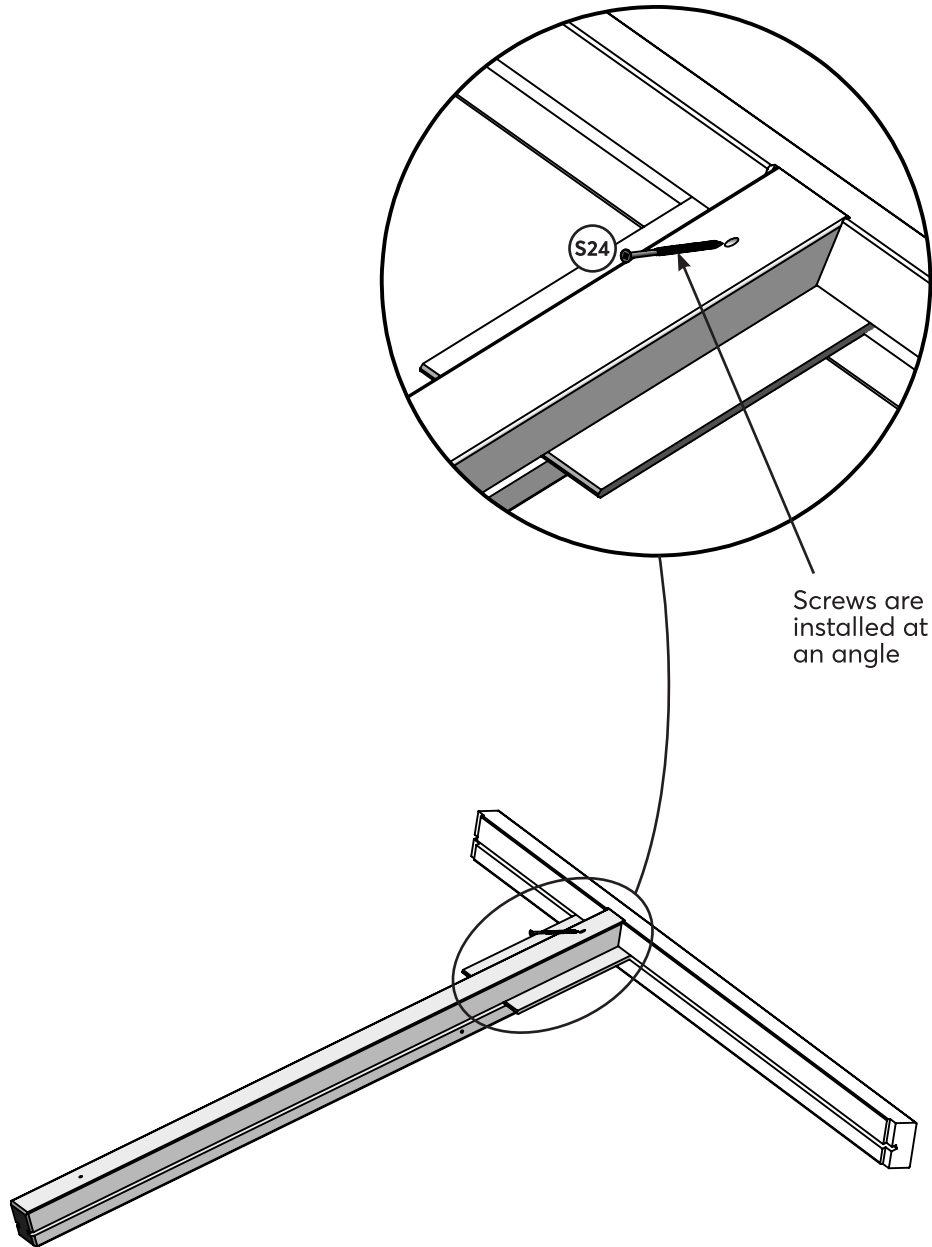
1 x 1572

Hardware

2 x S4

59

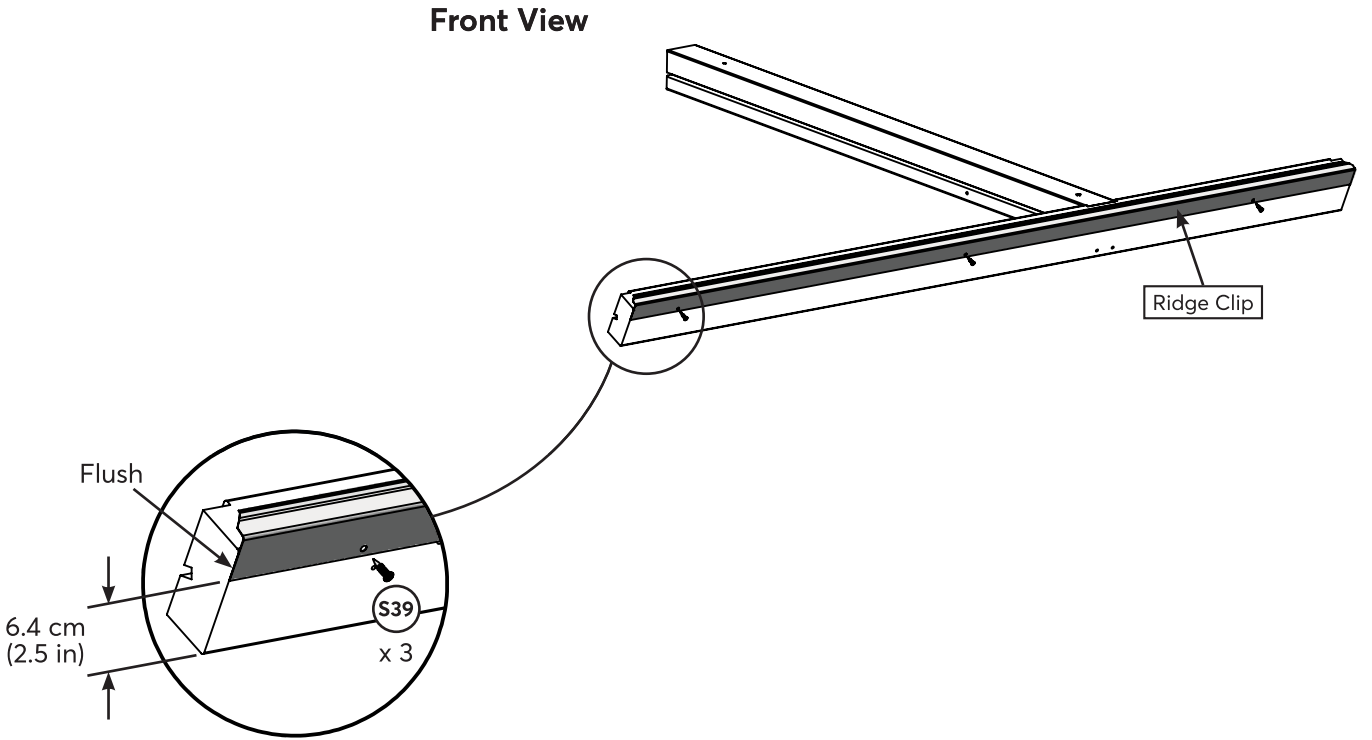
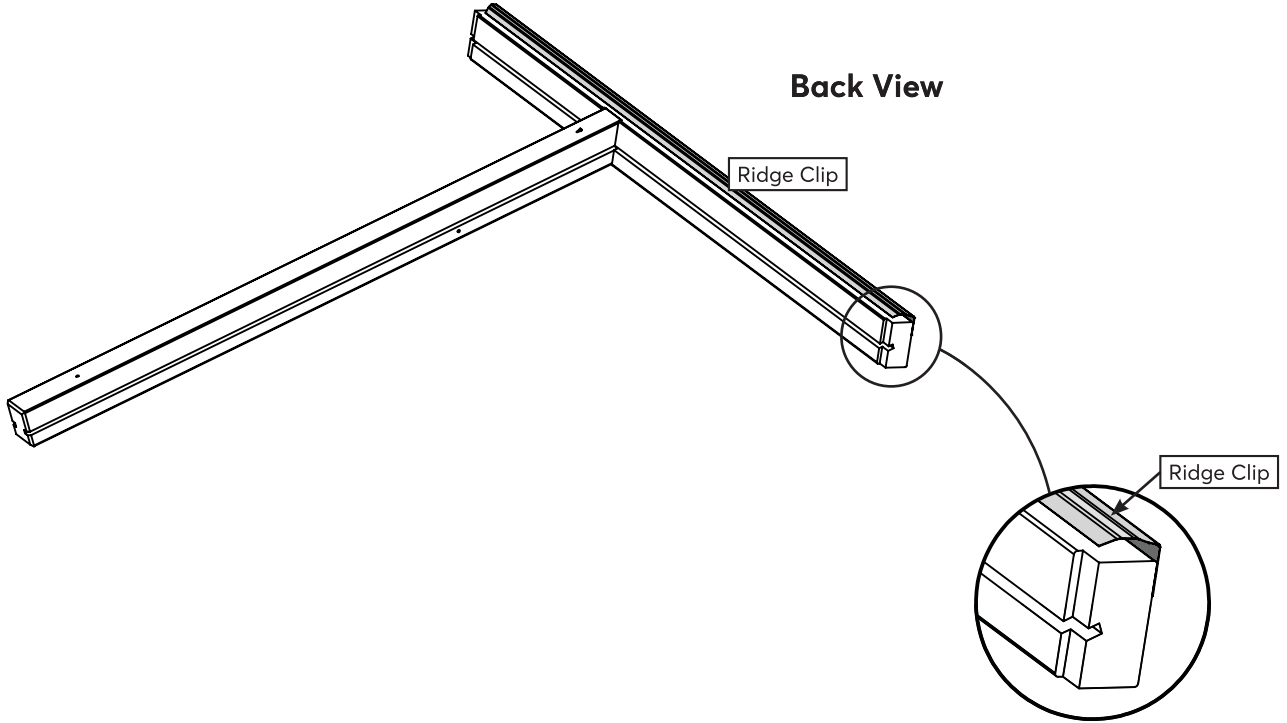
Flip the assembly over
then attach the screws



Screws are
installed at
an angle

Hardware

1 x (S24)

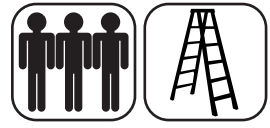


Hardware

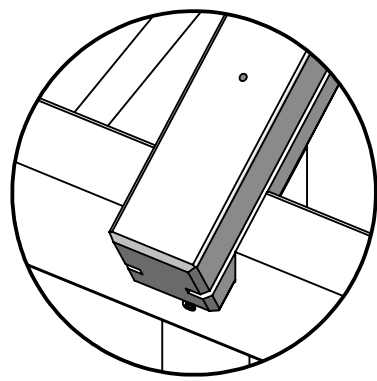
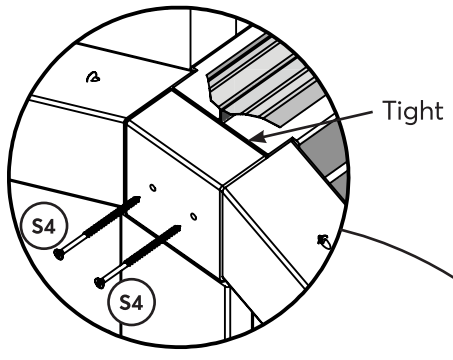
3 x S39

Components

1 x Ridge Clip

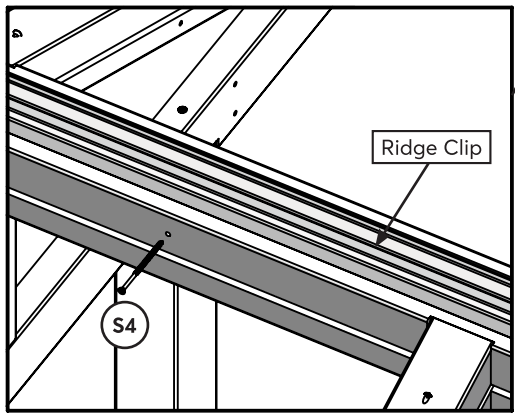
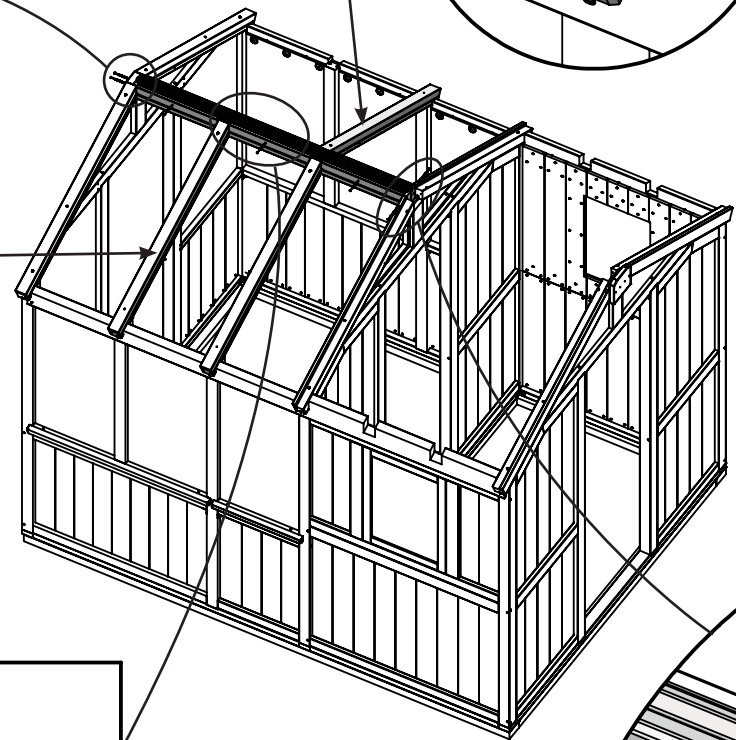


Rotated View



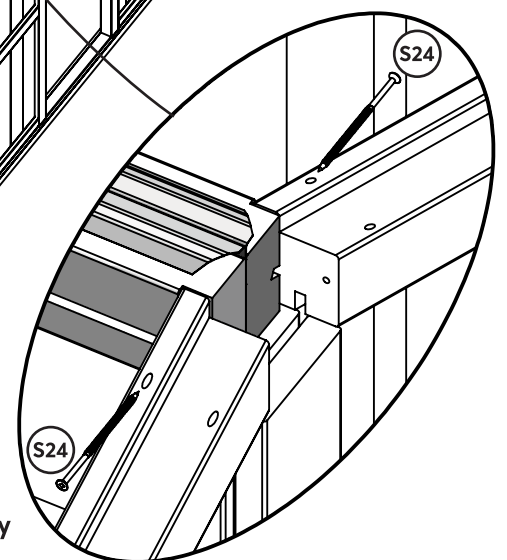
Vent Roof Frame Assembly

Roof Frame Assembly



Ridge Clip

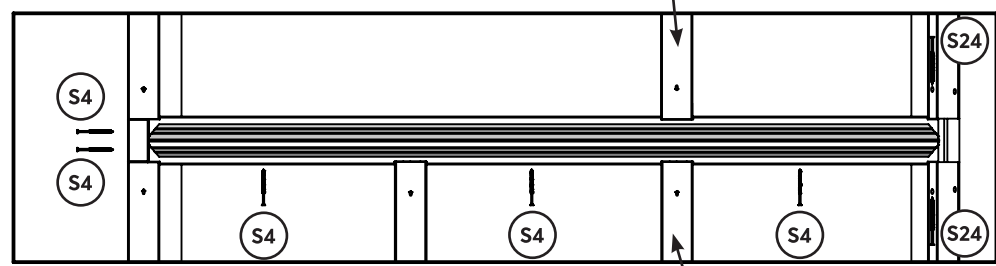
Guide Spacer (1188) to sit in grooves for proper alignment, then to be removed



S24

S24

Vent Roof Frame Assembly



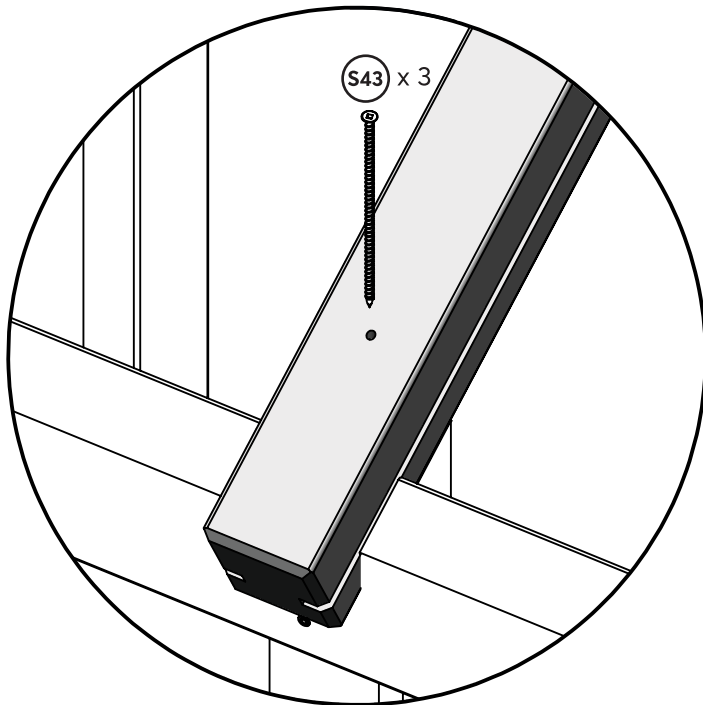
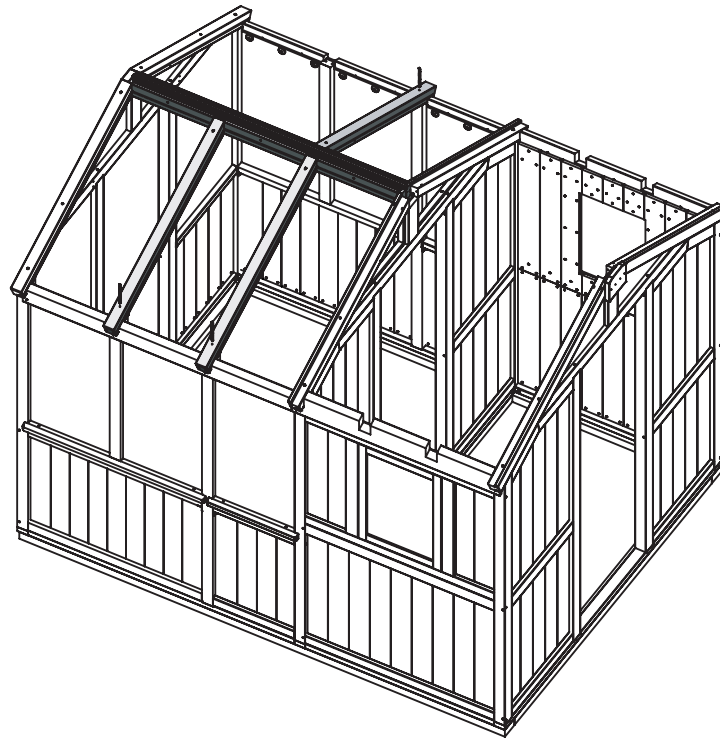
Top View

Roof Frame Assembly

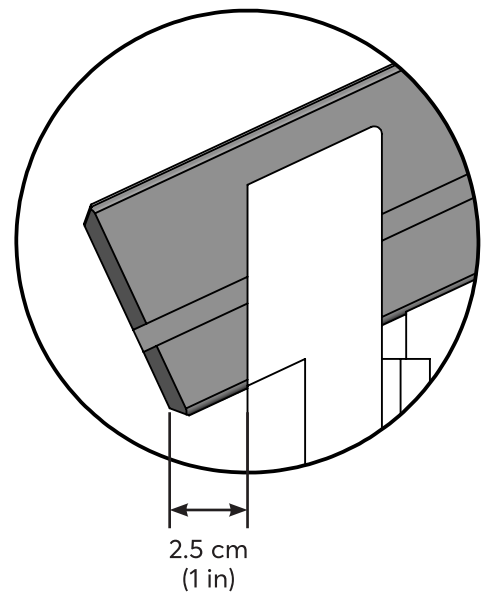
Hardware

5 x S4

2 x S24

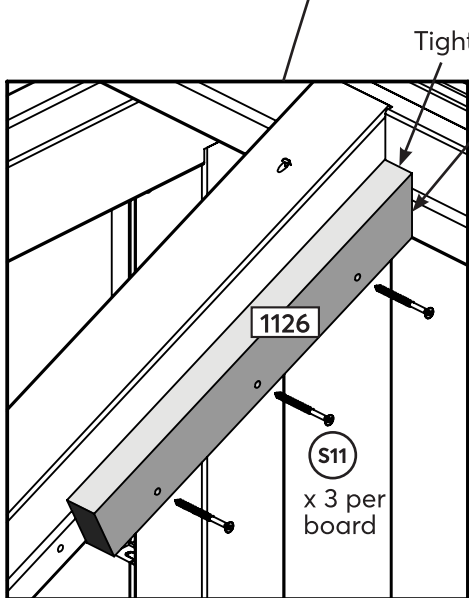
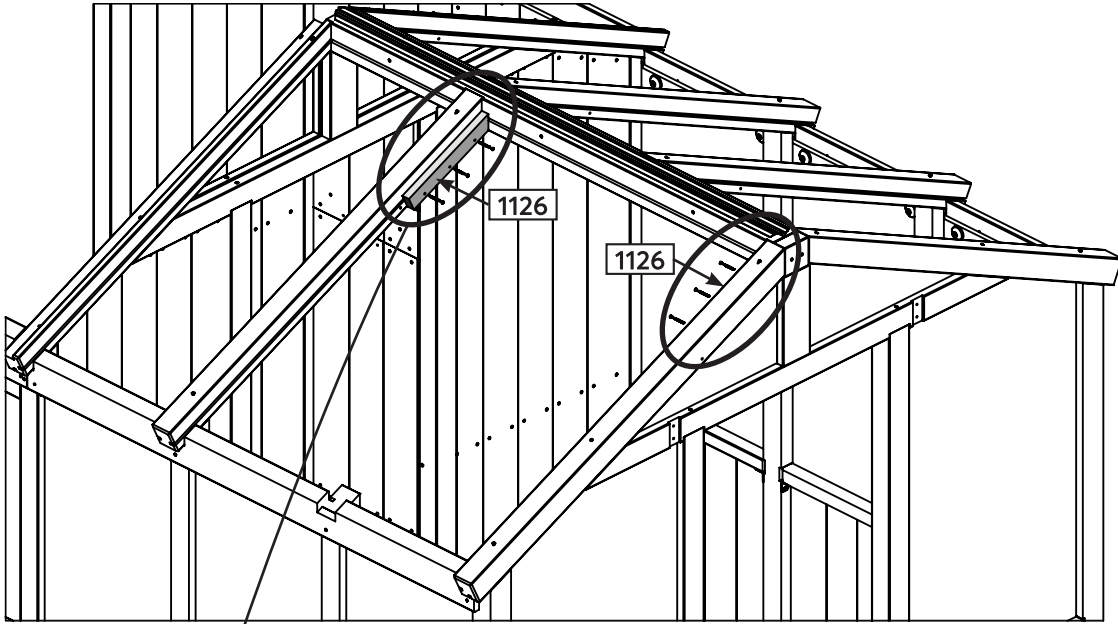


Side View



Hardware

3 x S43



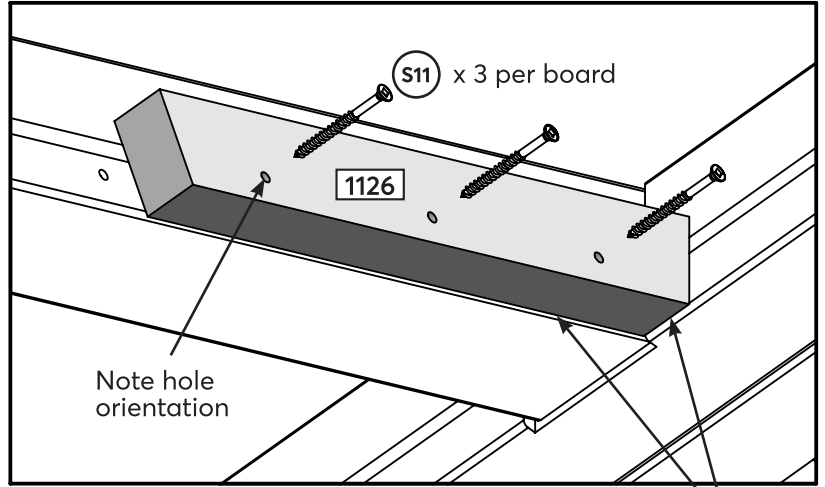
Note angle cut

Tight

1126

S11
x 3 per board

Inside and Underneath View



S11

x 3 per board

1126

Note hole orientation

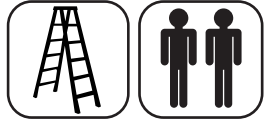
Flush

Wood Parts

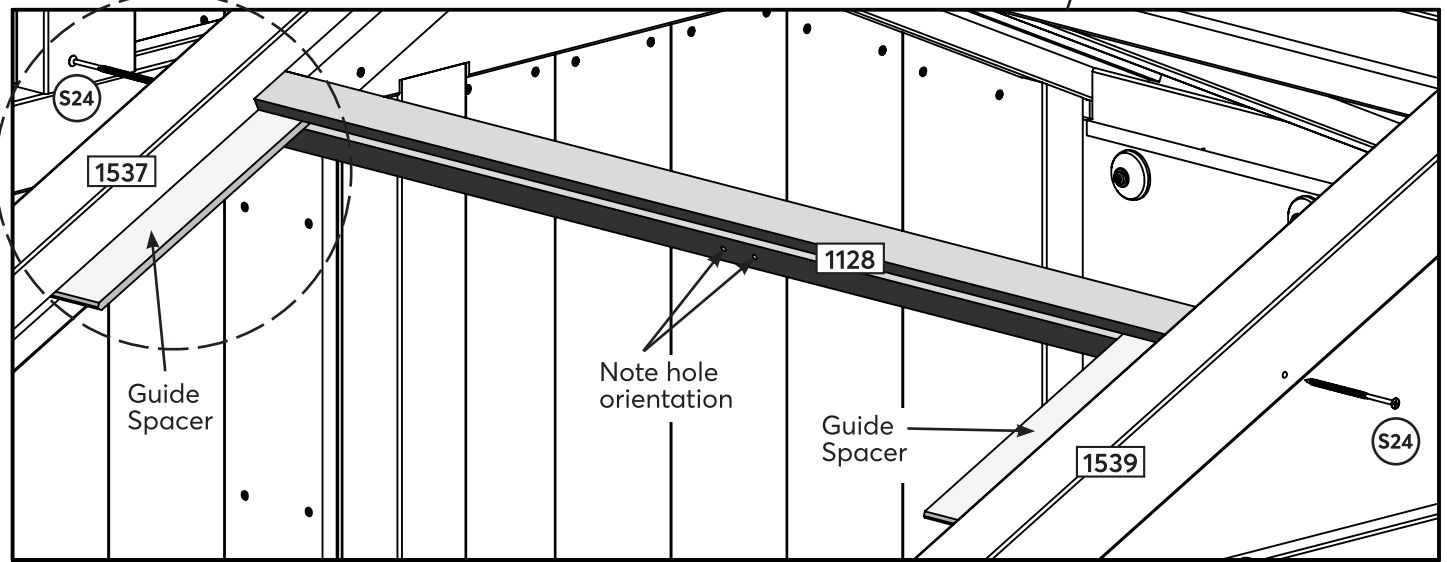
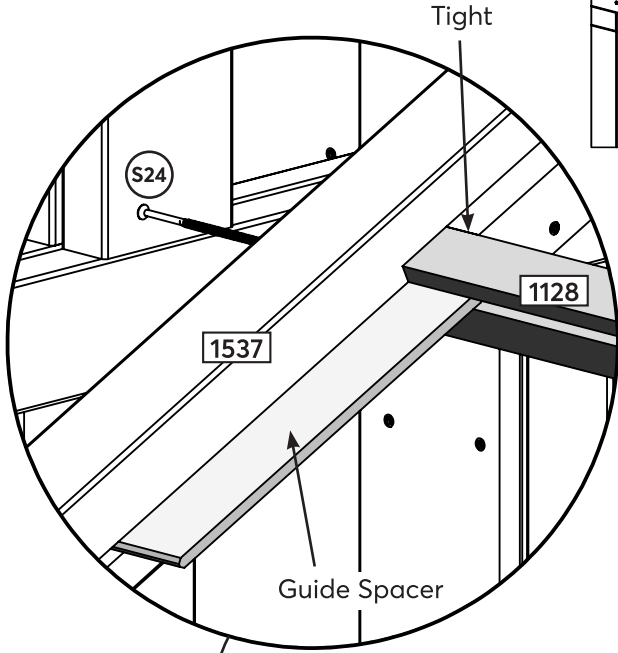
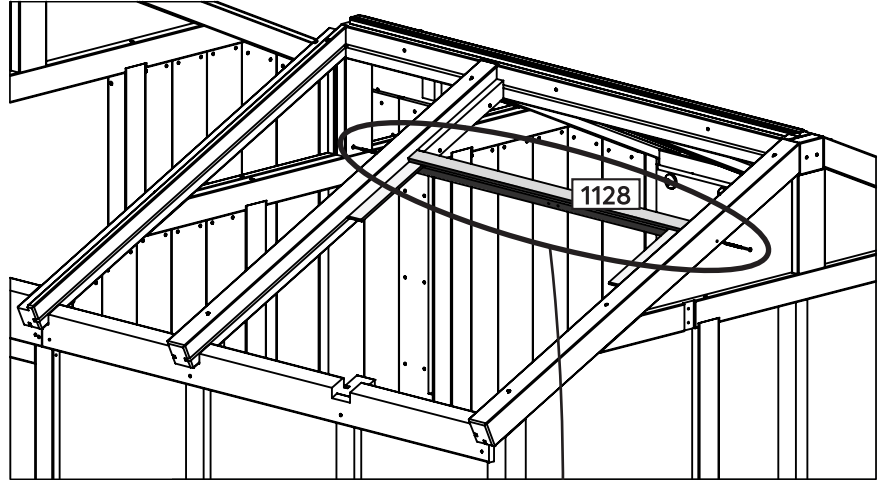
2 x 1126

Hardware

6 x S11



Guide Spacer (1188) to sit in grooves of 1537, 1539 and 1128 for proper alignment, then to be removed



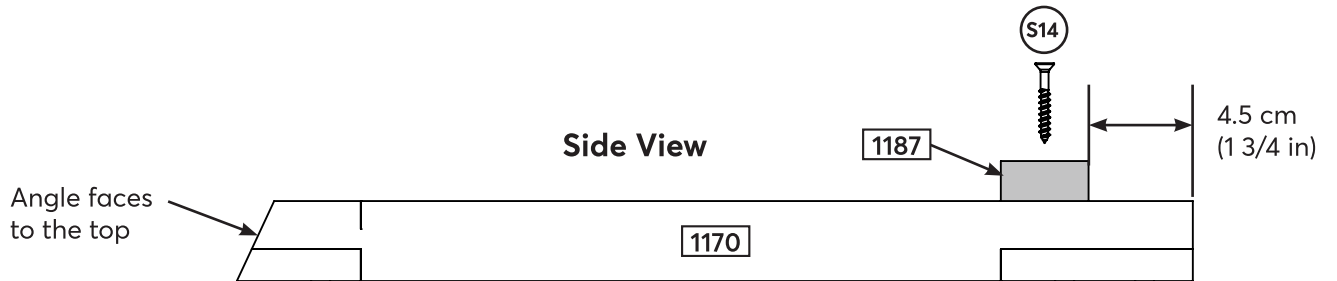
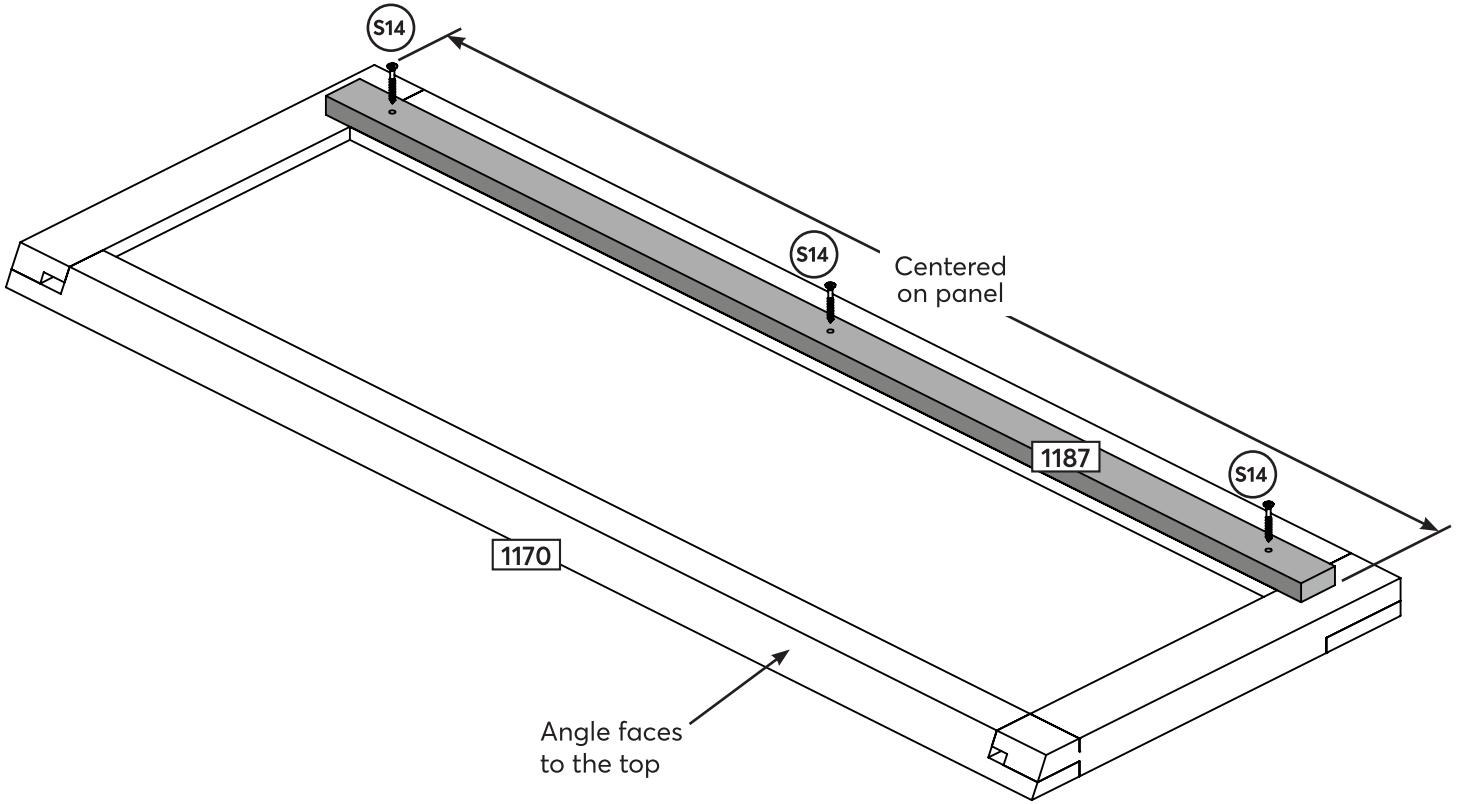
Wood Parts

1 x 1128

Hardware

2 x S24

65 Vent Roof Peak Assembly



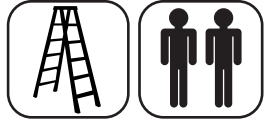
Wood Parts

1 x 1170

1 x 1187

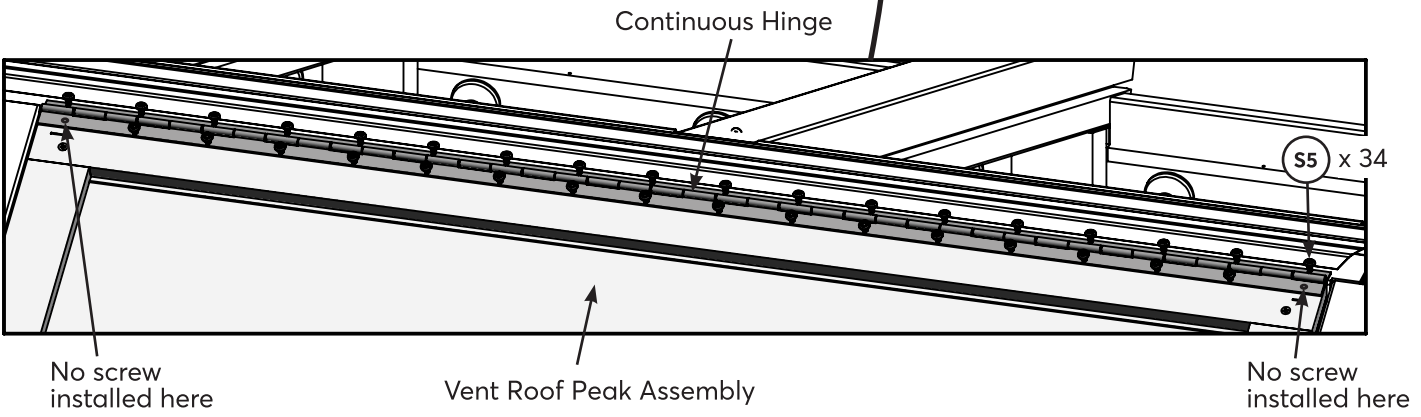
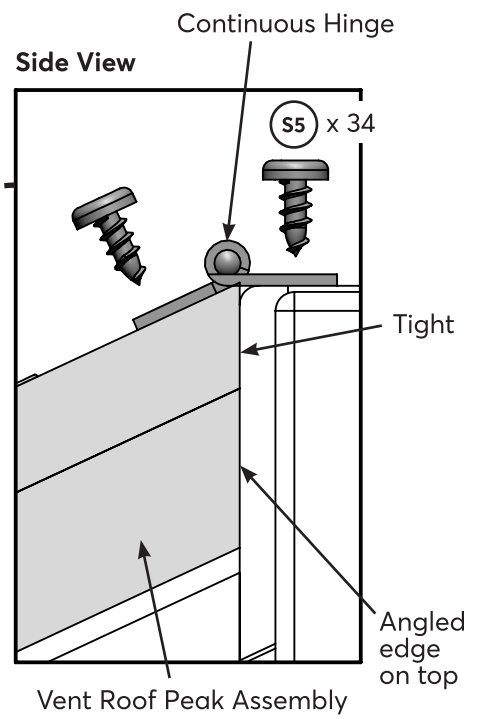
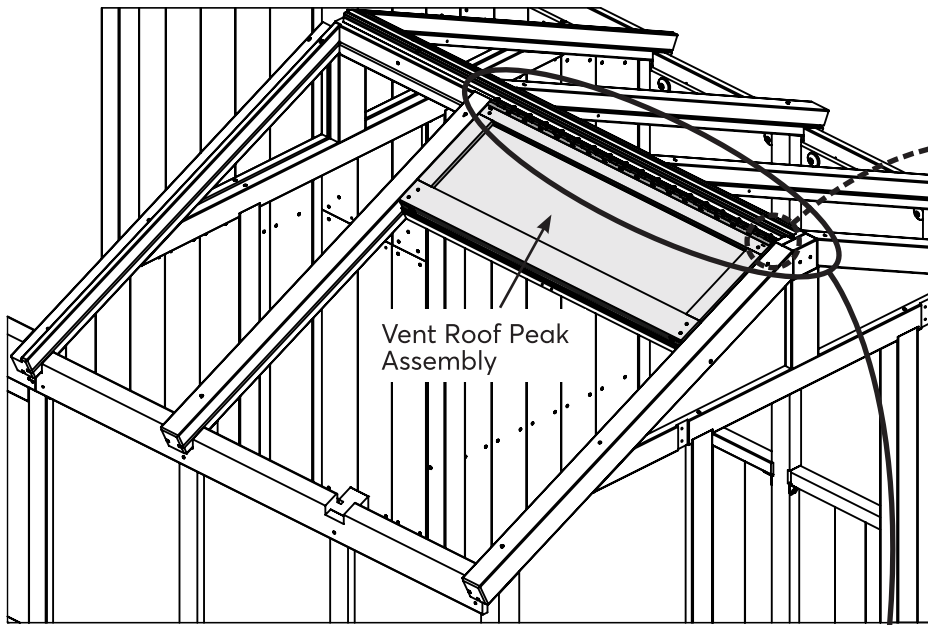
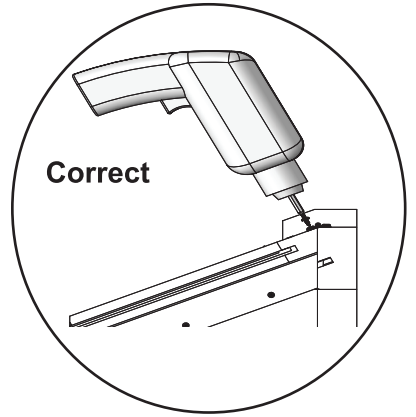
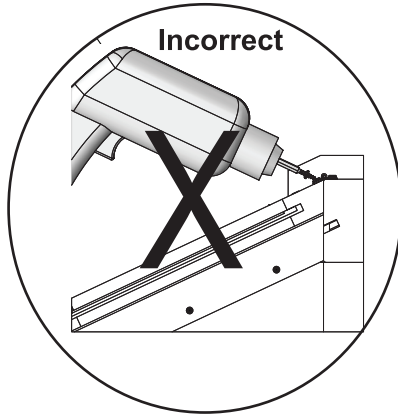
Hardware

3 x S14



Flip over Vent Roof Peak Assembly with angled edge on top. (1187) Vent Roof Panel Block faces down.

Note: Keep drill perpendicular when installing screws.



Hardware
34 x S5

Components
1 x Continuous Hinge

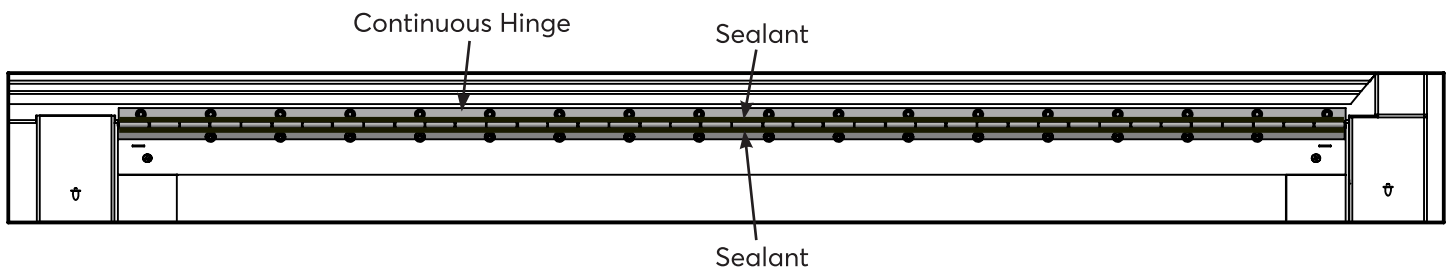
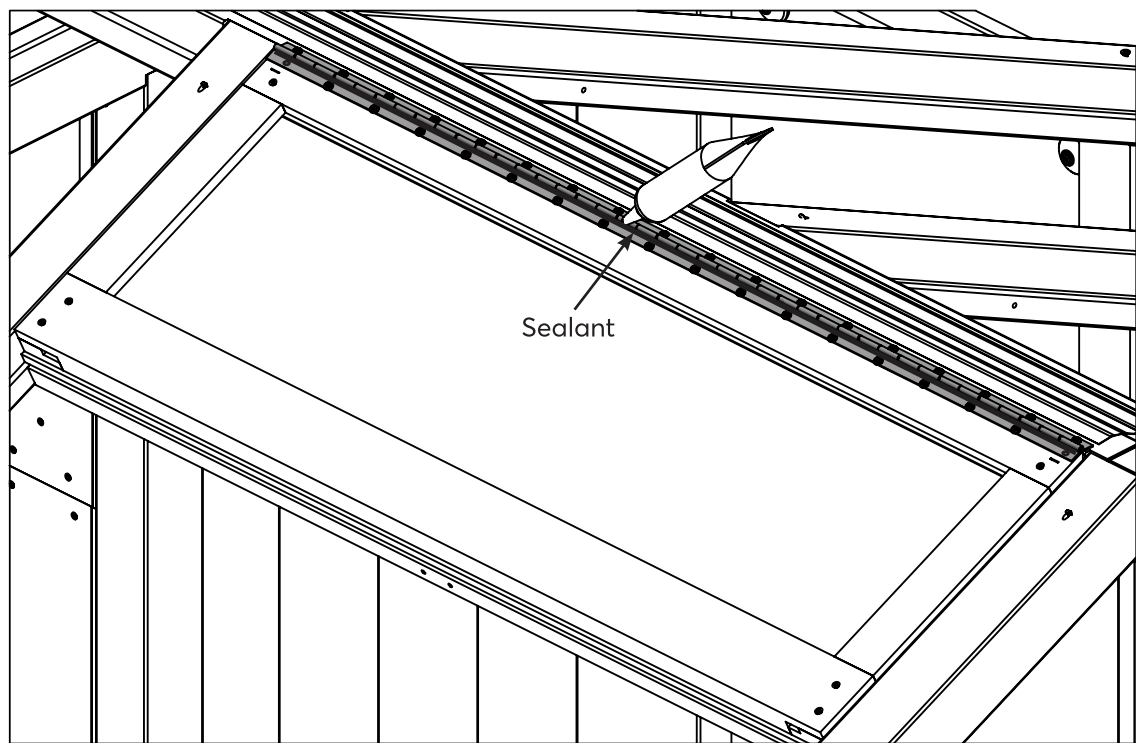


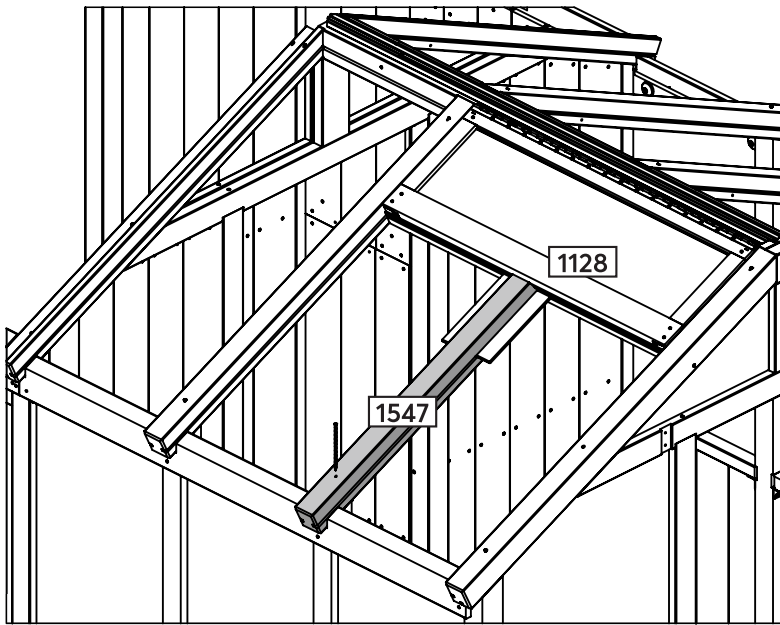
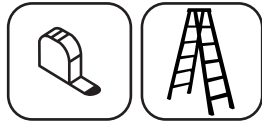
Apply silicone caulking on the top of the Continuous Hinge so the silicone completely covers the pivot joints.

Note: All surfaces to be clean, dry, dust and grease free before application with temperatures above 5°C (41°F), no warmer than 35°C (95°F).

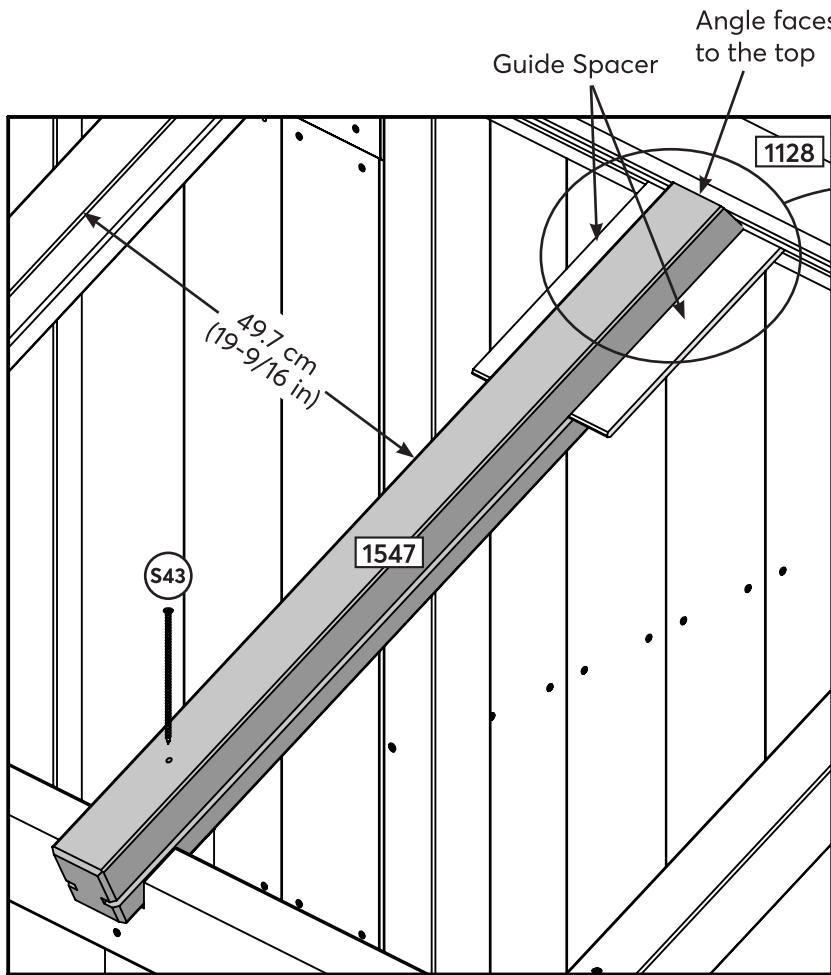
- Apply sealant in small beads and smooth as required.
- Clean excess with a cloth or paper towel before it skins over.
- Always wear safety glasses and rubber gloves when using product.

See page 6 for Warning and First Aid Information.

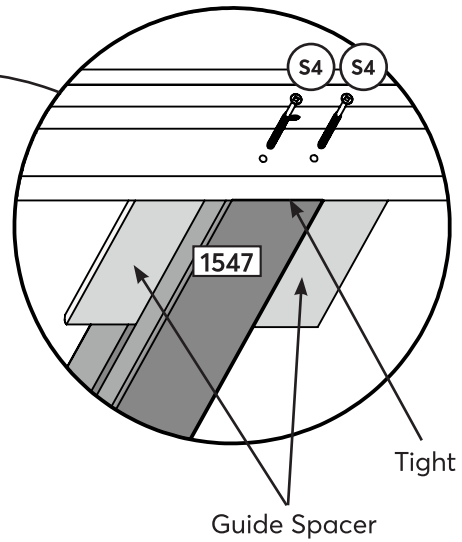




Guide Spacer (1188) to sit in grooves of 1547 and 1128 for proper alignment, then to be removed



Inside and Underneath View



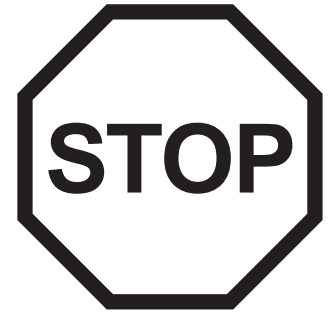
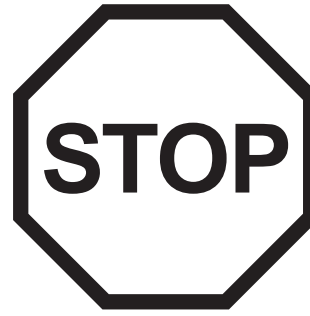
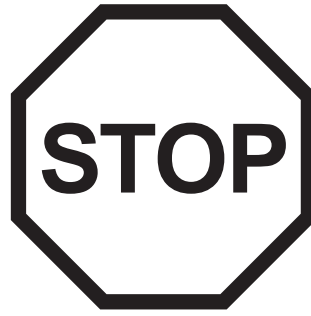
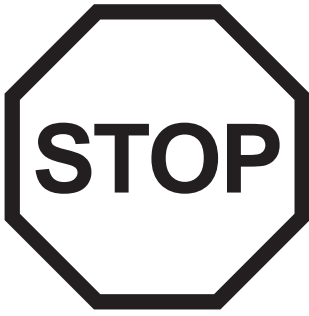
Wood Parts

1 x 1547

Hardware

2 x S4

1 x S43



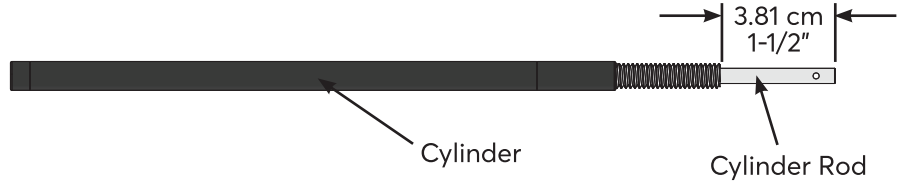
IMPORTANT! SINGLE SPRING WINDOW OPENER INFORMATION

- **The Aluminum Single Spring Window Opener is designed to automatically open and close with changes in temperature. It must not be opened or closed manually. Doing so will result in damage to the component.**
- To change the opening temperature of the component:
 - One complete clockwise turn of the black cylinder will increase the opening temperature of the component by $0.5^{\circ}\text{C}/1^{\circ}\text{F}$
 - One counterclockwise turn will decrease the opening temperature of the component by $0.5^{\circ}\text{C}/1^{\circ}\text{F}$
- The opening temperature of this component can be set to open in temperatures between $16^{\circ}\text{C}/60^{\circ}\text{F}$ and $25^{\circ}\text{C}/77^{\circ}\text{F}$
- The black cylinder is the temperature sensitive component. This should never be used as a pry to manually open or close the vent.
- The cylinder must be in the closed position before it can be removed from the component. To remove the cylinder, remove the pin and unscrew the cylinder.

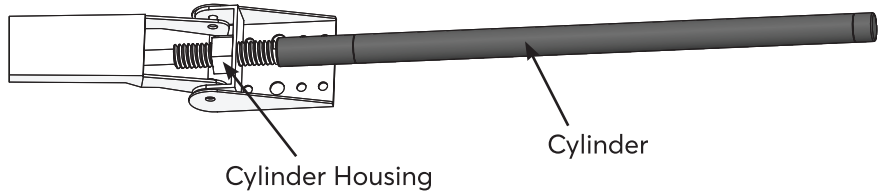
69 Attach Single Spring Window Opener



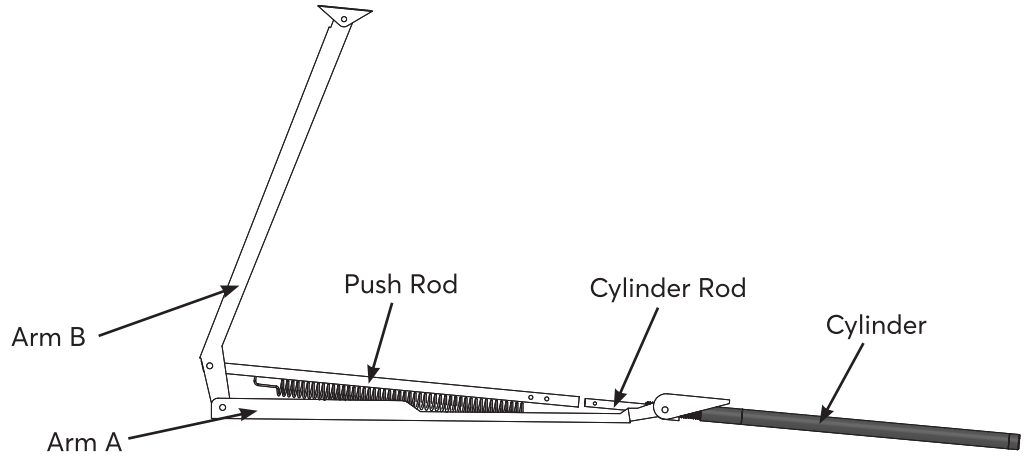
A: The Black Cylinder **MUST** be in the closed position prior to assembly. To close the cylinder, place it in the refrigerator for 5-7 minutes. After removing from the refrigerator push the Cylinder Rod so it is past the threads 1-1/2" (38.1m).



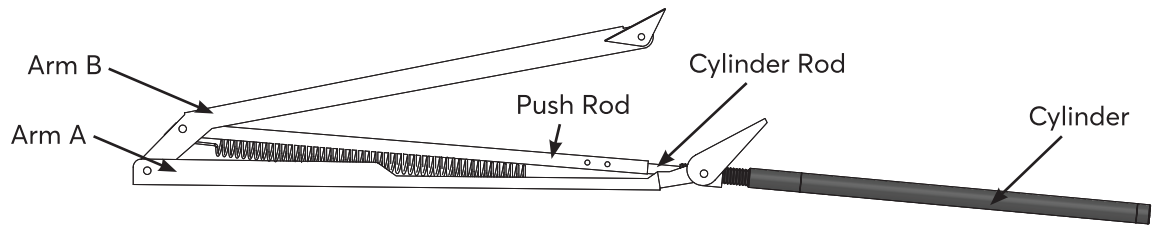
B: With the cylinder in the closed position screw the Cylinder into the Cylinder Housing halfway.



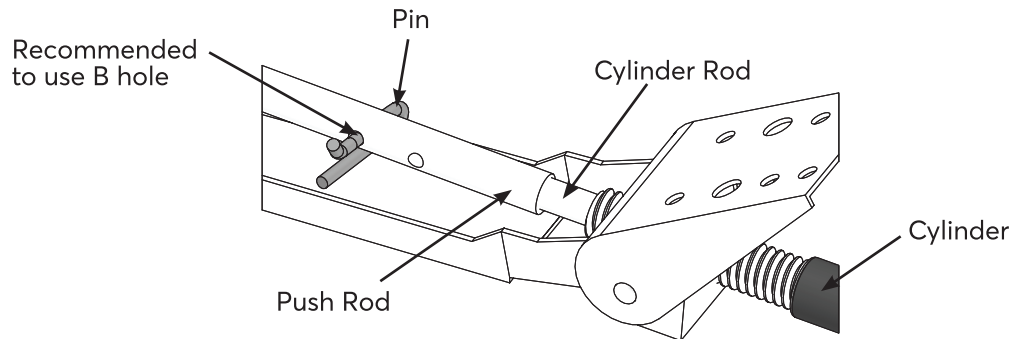
C: Lift Arm B so the Push Rod aligns with the Cylinder Rod.



D: Lower Arm B so the Cylinder Rod slides into the Push Rod and the holes align.



E: Insert pin in B hole of the Push Rod.



Components

1 x Aluminum Single Spring Window Opener

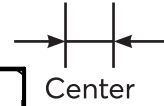
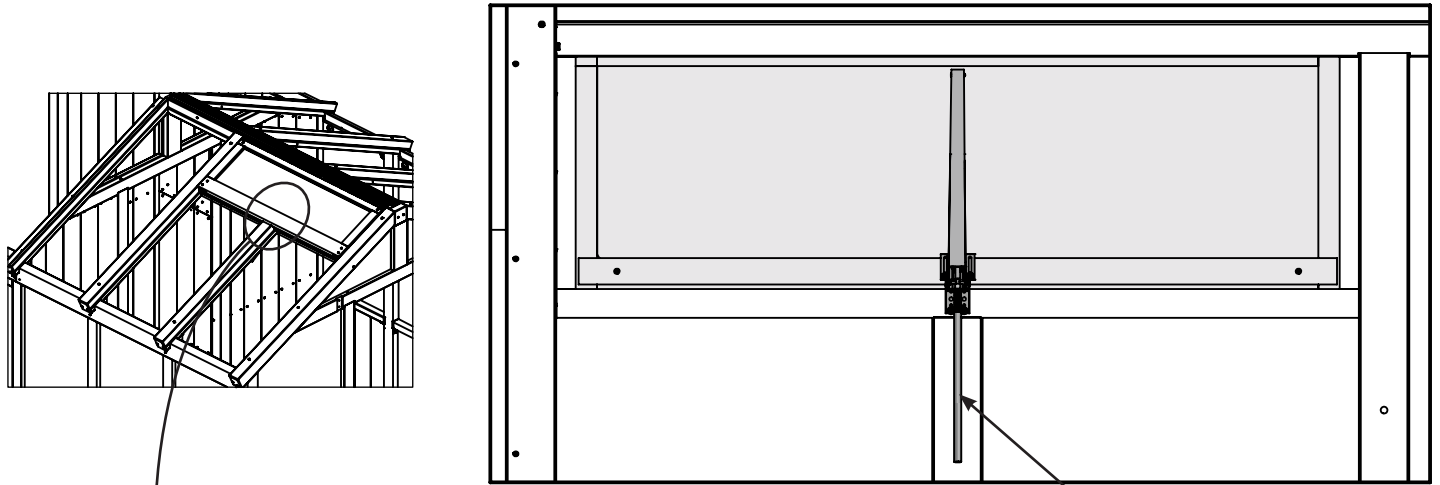
70

Note: The Aluminum Single Spring Window Opener is designed to automatically open and close with changes in temperature.

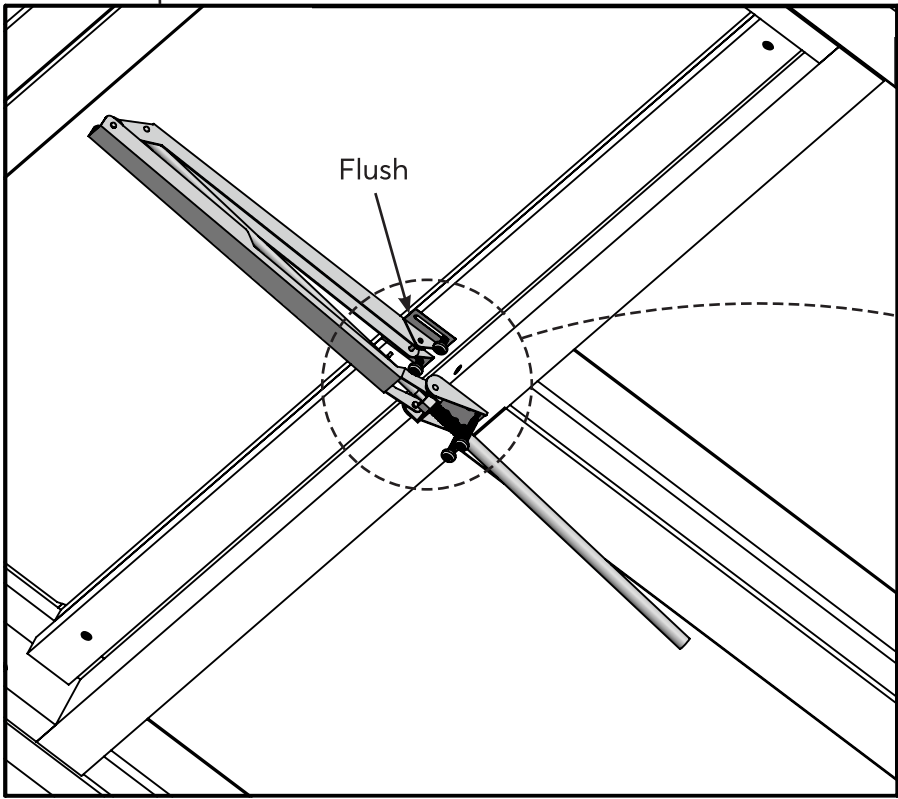
It must not be opened or closed manually. Doing so will result in damage to the component.



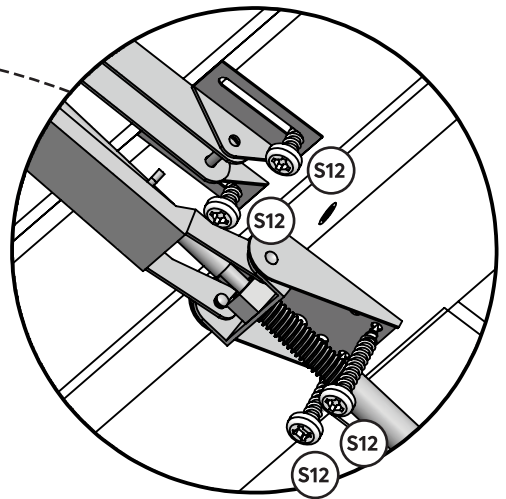
Inside View



Single Spring Window Opener



Inside and Underneath View

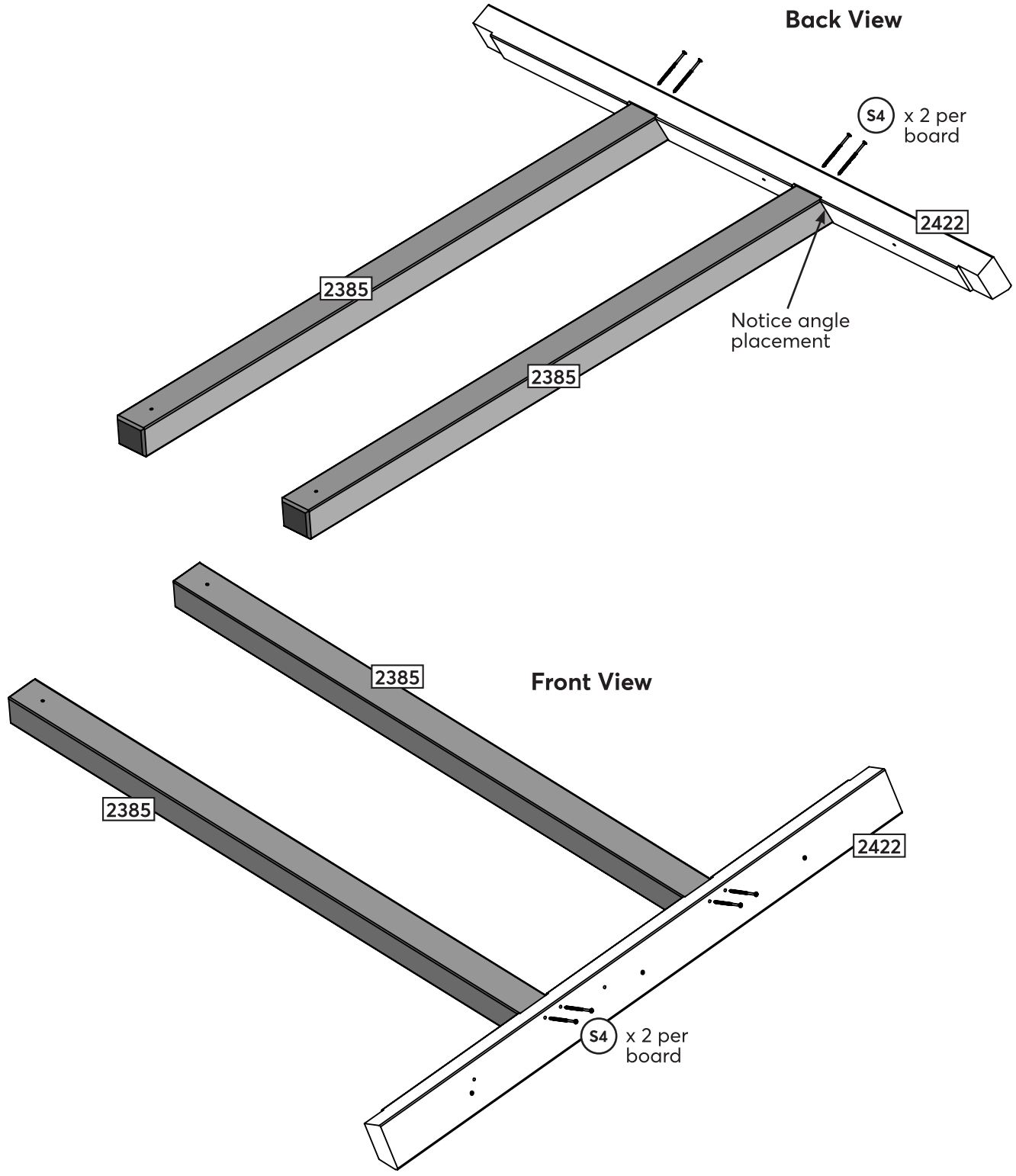


Hardware

4 x S12 (Yellow)

71

Complete this step twice



Wood Parts

4 x 2385

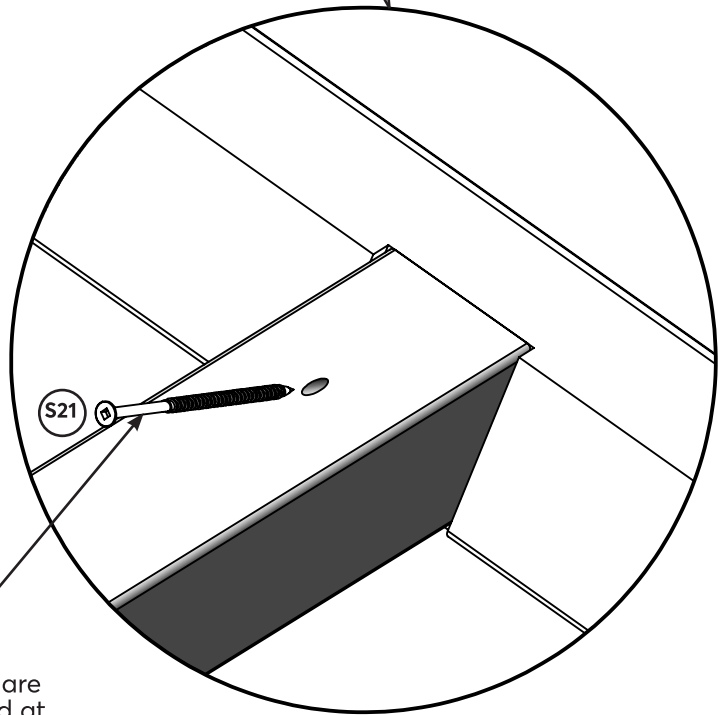
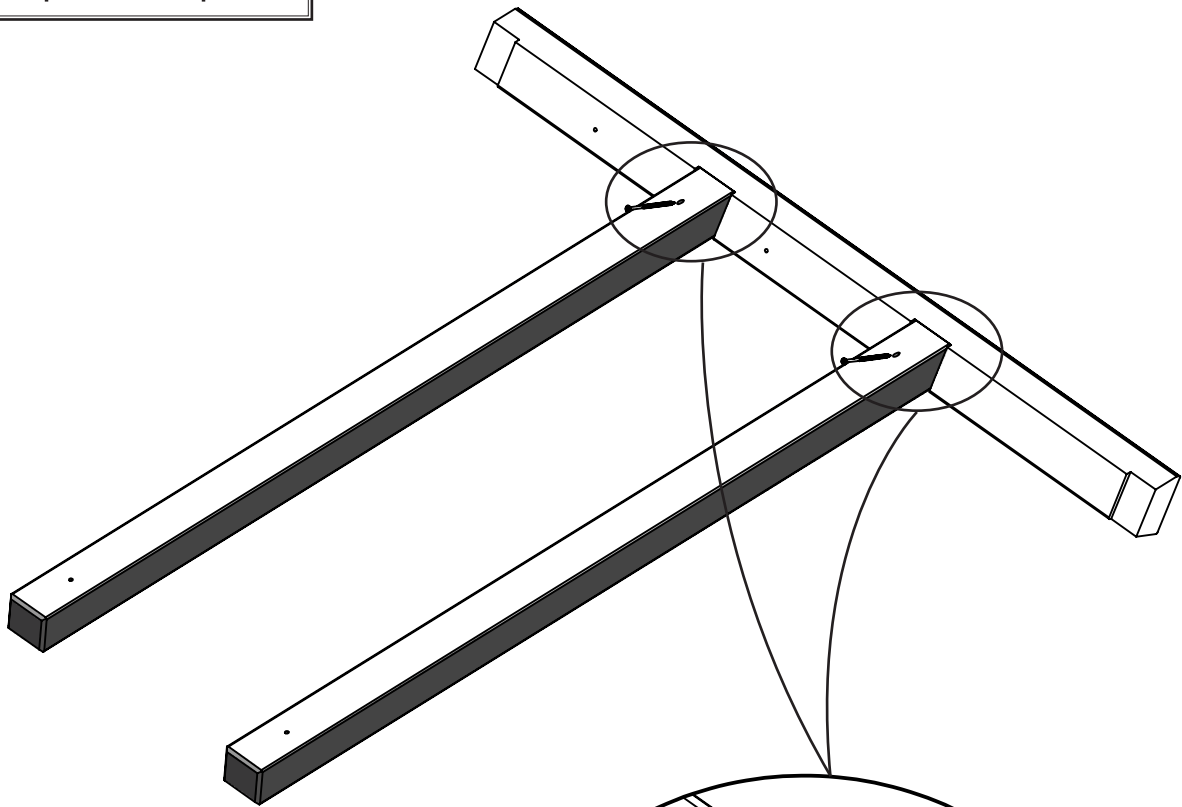
2 x 2422

Hardware

8 x S4

72

Flip the assembly over
then attach the screws
Complete this step twice



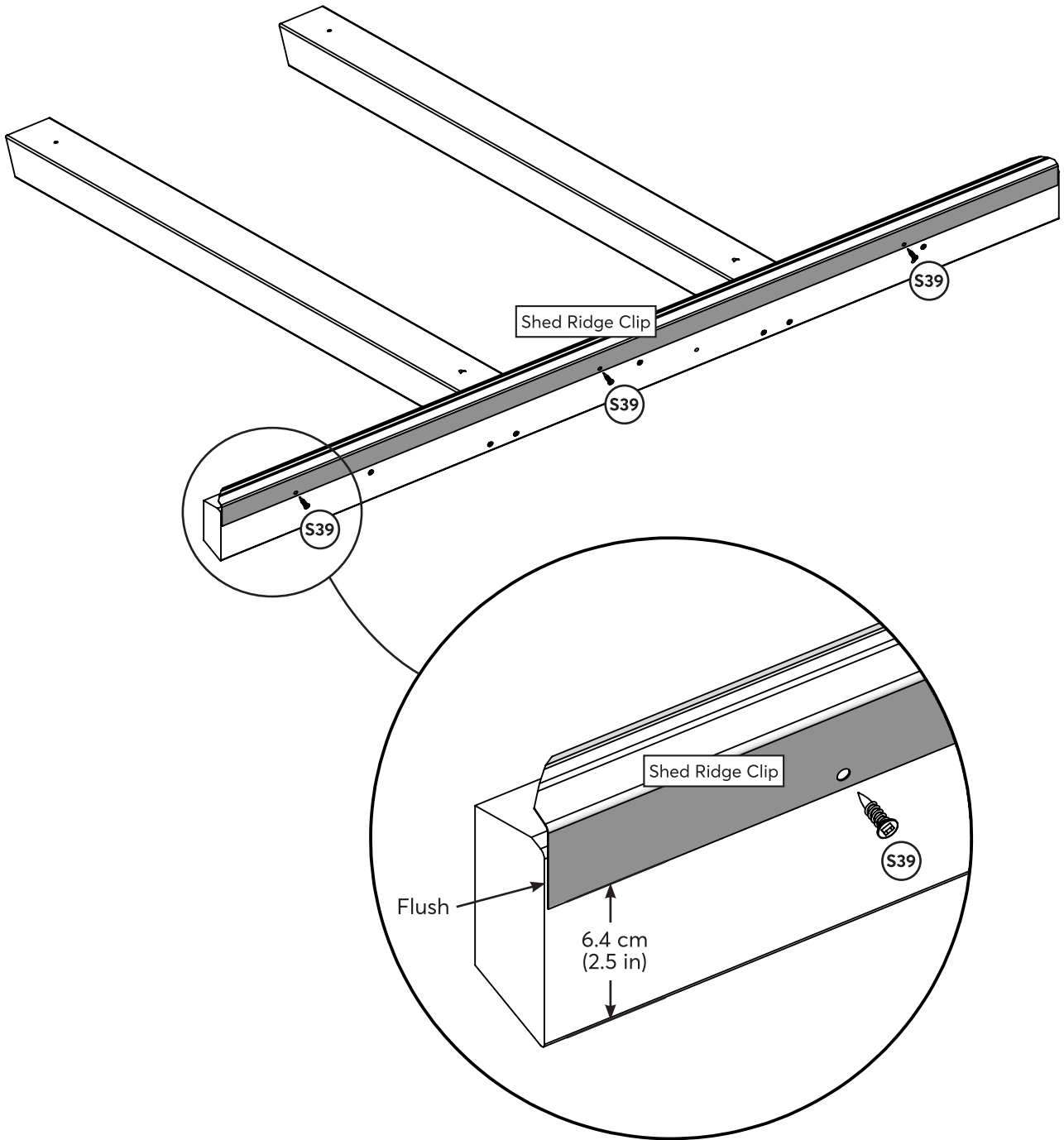
Screws are
installed at
an angle

Hardware

4 x (S21)

73

Complete this step twice

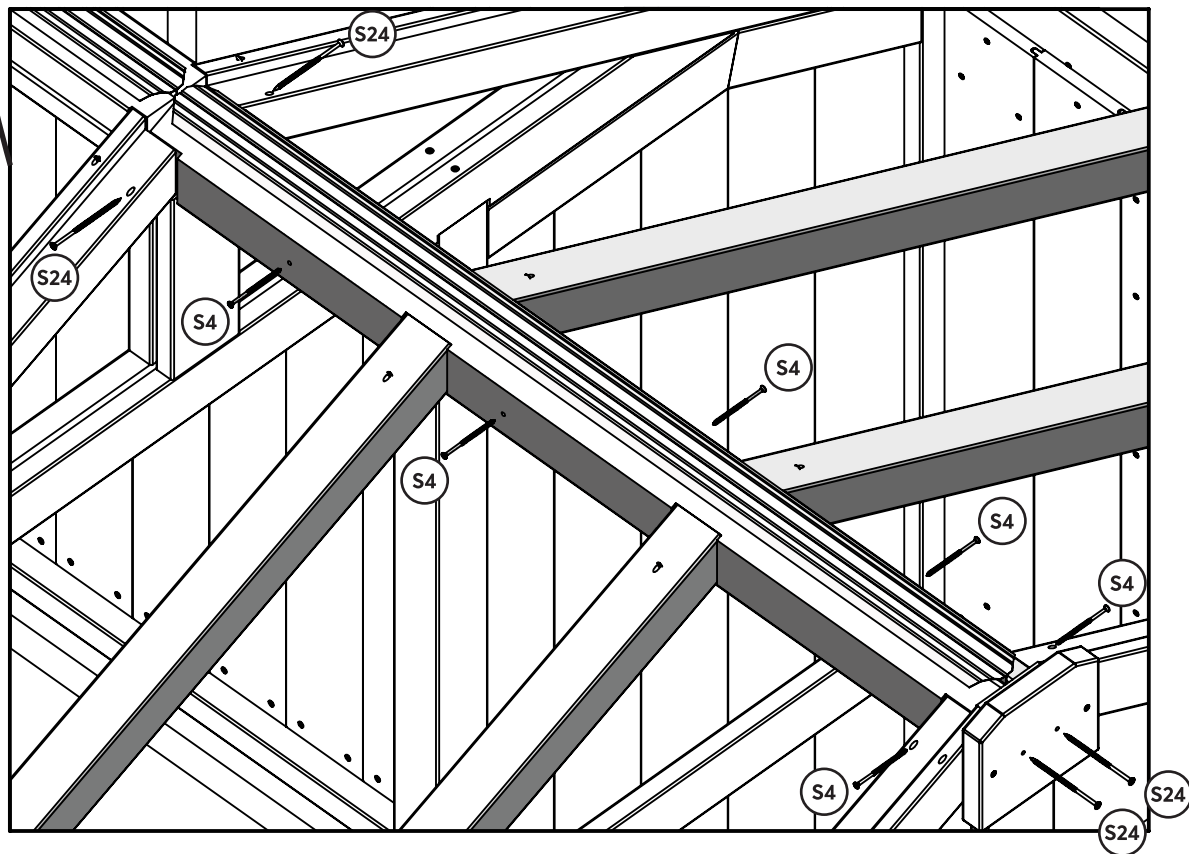
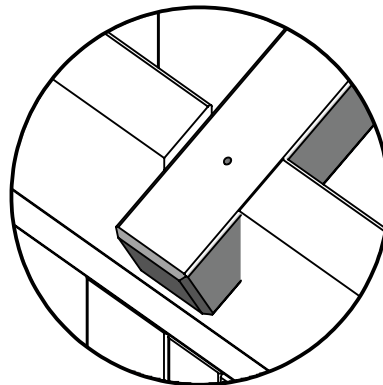
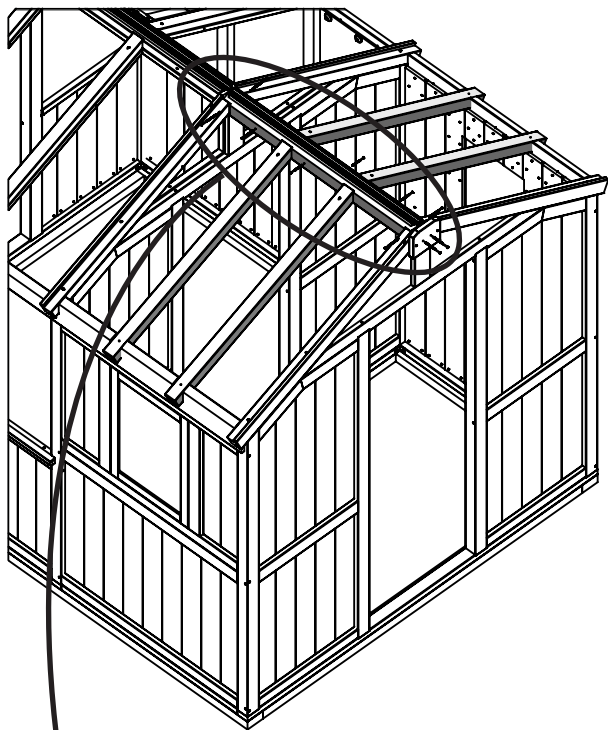


Hardware

6 x (S39)

Components

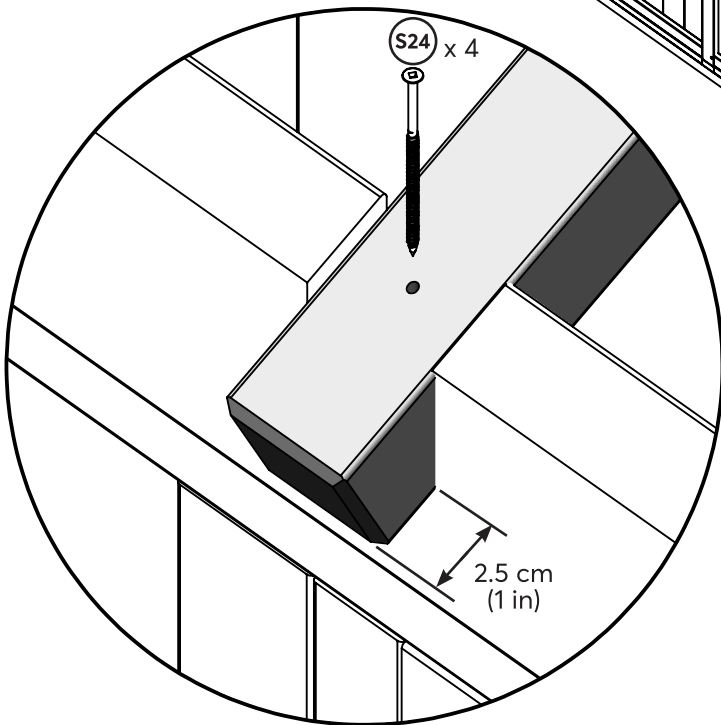
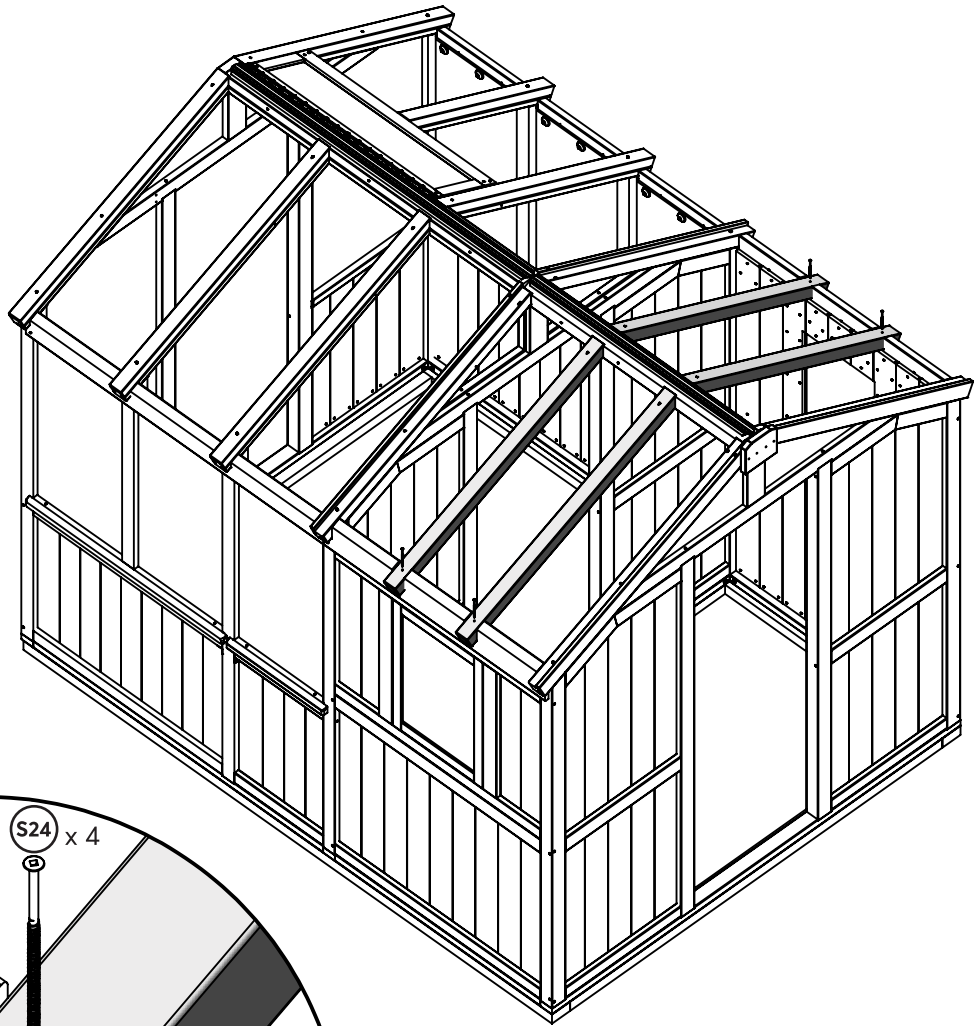
2 x Shed Ridge Clip



Hardware

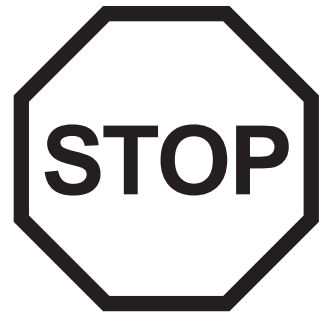
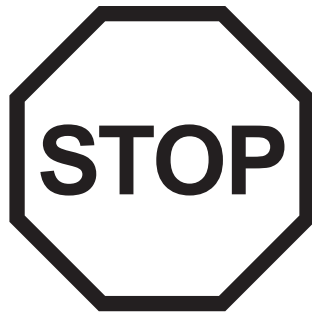
6 x S4

4 x S24



Hardware

4 x S24



INSTALLING ROOFING MATERIAL

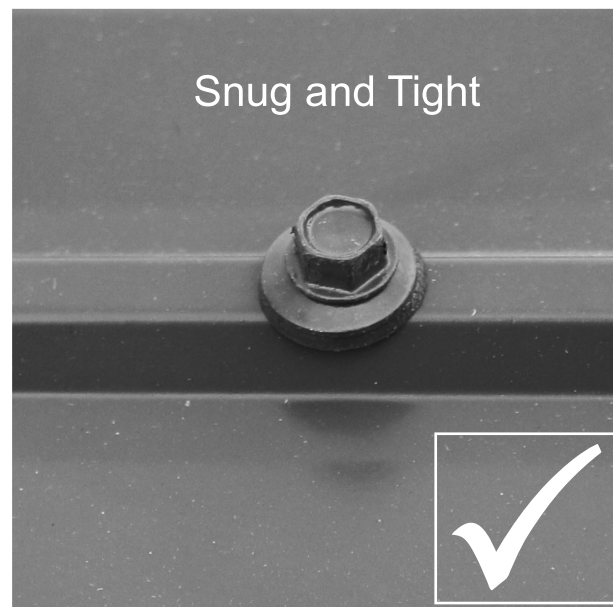
CAUTION!

Roofing material may have sharp edges! Wear gloves!

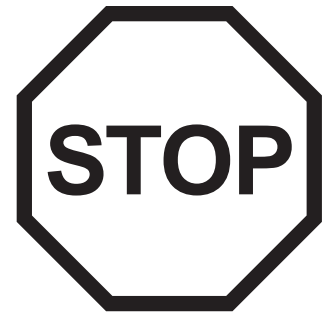
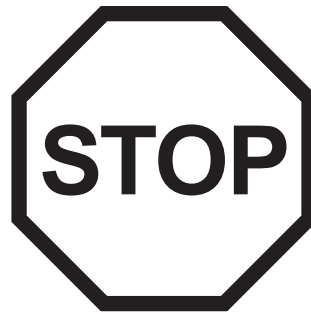
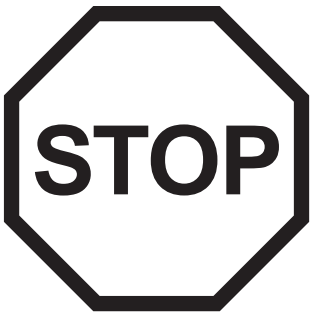
HANDLE WITH CARE!

Place roofing material on a non-abrasive surface before assembly as it can bend, dent and scratch easily.

**WARNING – DO NOT OVER TIGHTEN ROOFING SCREWS!
Over tightening screws will cause roofing material to crush.**



The roofing screws can easily crush the Roof Panels and Roof Edges when using a power drill. We recommend hand tightening the roofing screws so that they sit snug and tight to the roofing material.

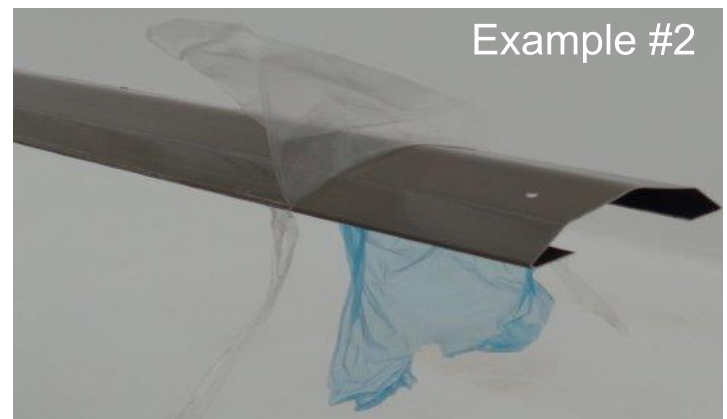
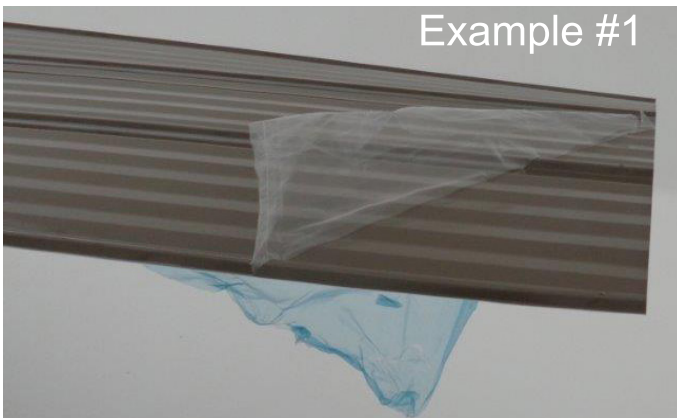


INSTALLING ROOFING MATERIAL

CAUTION!

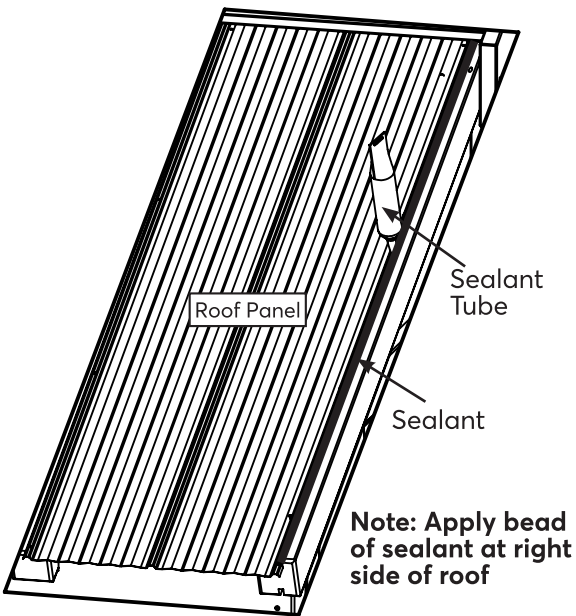
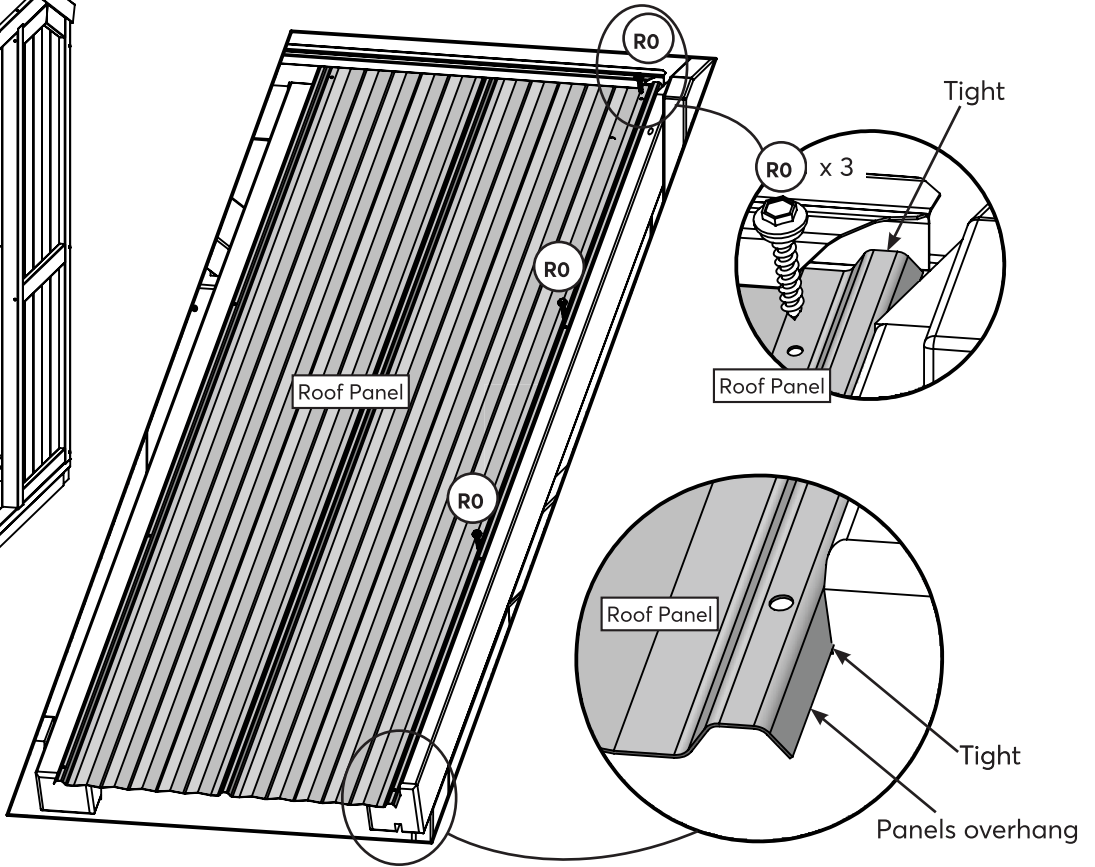
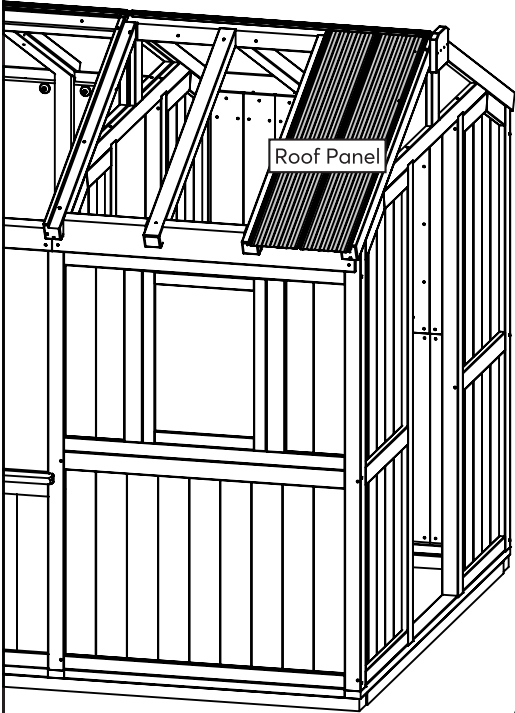
Roofing material may have sharp edges! Wear gloves!

BE SURE TO REMOVE ALL PLASTIC COVERING, ON BOTH SIDES OF THE ALUMINUM PANELS AND TRIM, DIRECTLY BEFORE INSTALLING EACH PIECE. *(One side is clear and the other is blue, both must be removed.)*



Repeat for other side

DO NOT overtighten screws, could cause damage to roofing material



Note: Apply bead of sealant at right side of roof

Note: All surfaces to be clean, dry, dust and grease free before application with temperatures above 5°C (41°F), no warmer than 35°C (95°F).

- Apply sealant in small beads and smooth as required.
- Clean excess with a cloth or paper towel before it skins over.
- Always wear safety glasses and rubber gloves when using product.

See page 6 for Warning and First Aid Information.

Hardware

6 x (R0)

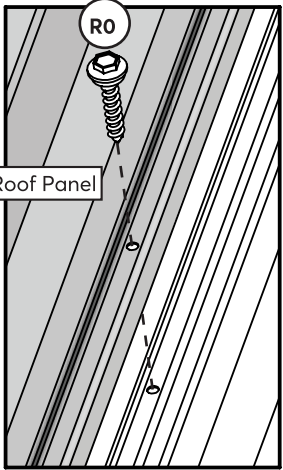
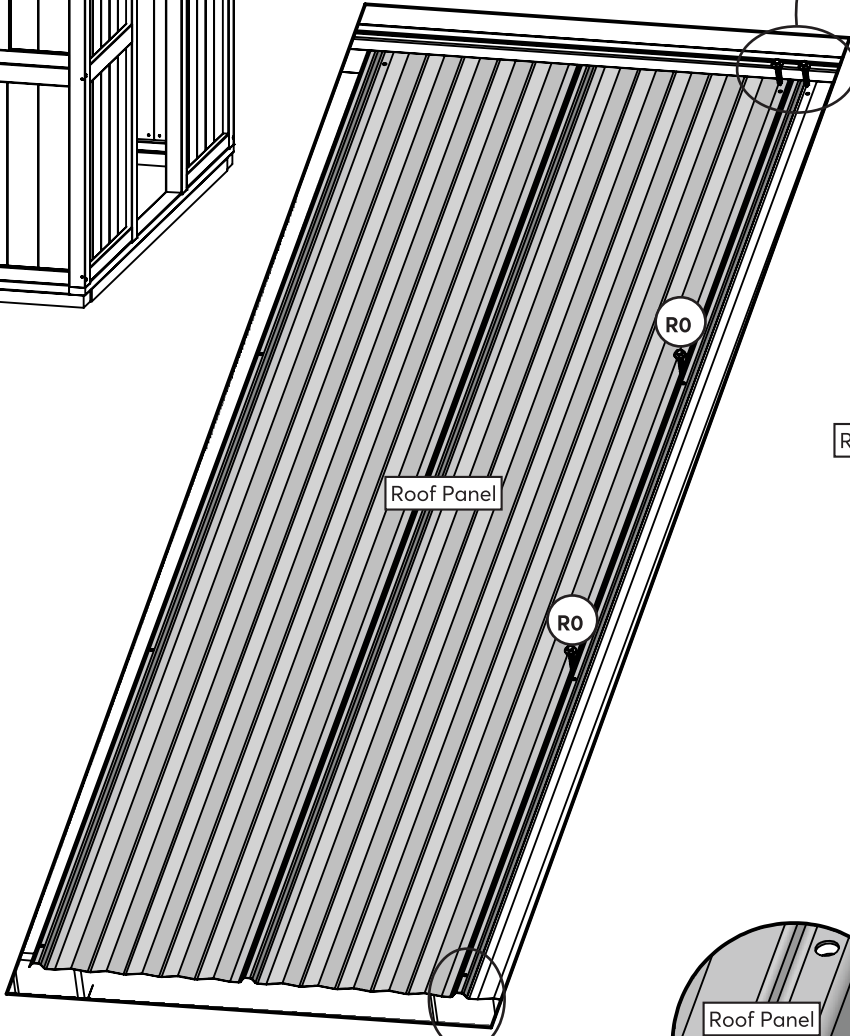
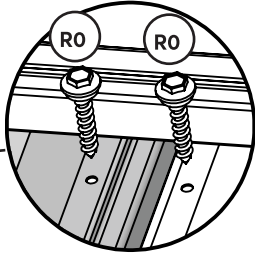
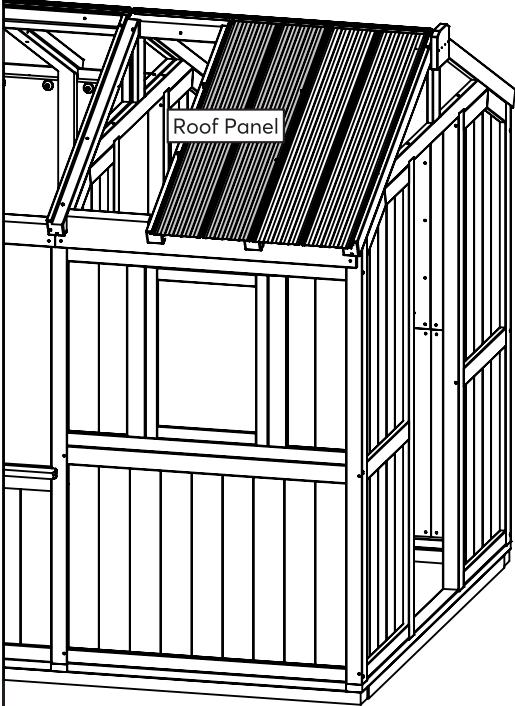
Components

2 x Roof Panel

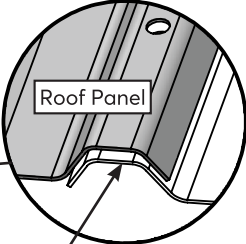
77

Repeat for other side

DO NOT overtighten screws, could cause damage to roofing material



Align hole



Panels overlap

Hardware

8 x (R0)

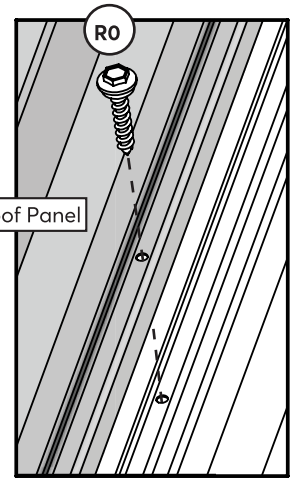
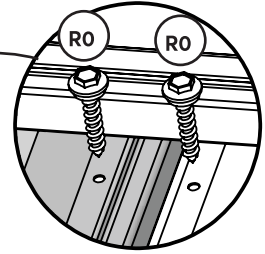
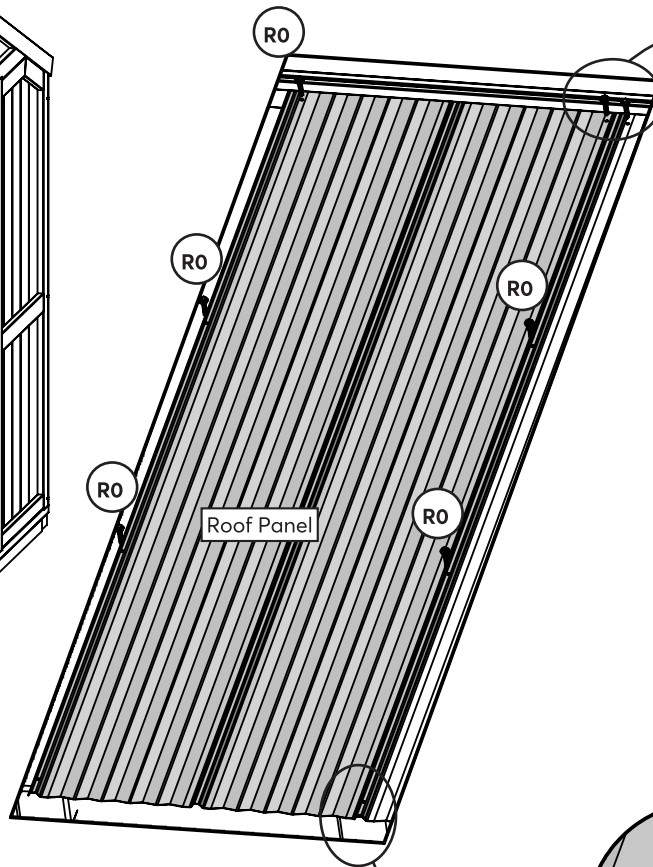
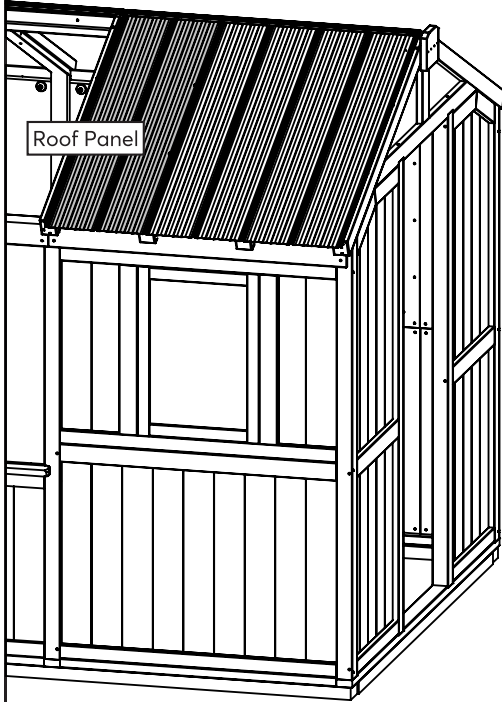
Components

2 x Roof Panel

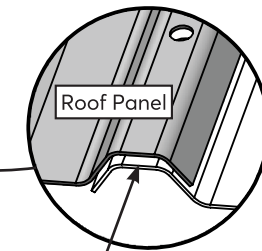
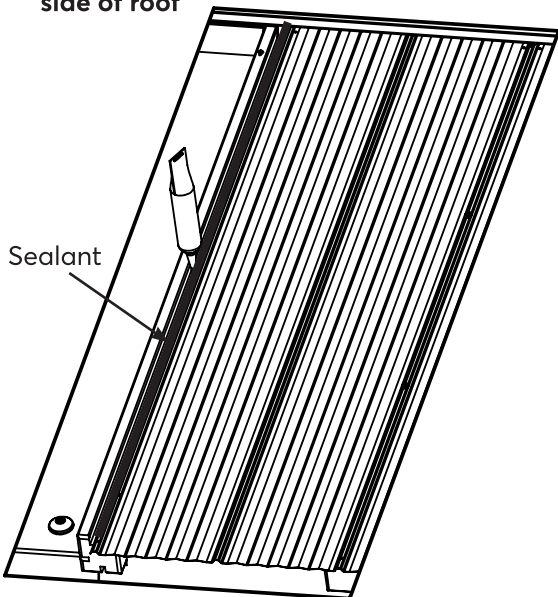
78

Repeat for other side

DO NOT overtighten screws, could cause damage to roofing material



Note: Apply bead of sealant at left side of roof



Panels overlap

Note: All surfaces to be clean, dry, dust and grease free before application with temperatures above 5°C (41°F), no warmer than 35°C (95°F).

- Apply sealant in small beads and smooth as required.
- Clean excess with a cloth or paper towel before it skins over.
- Always wear safety glasses and rubber gloves when using product.

See page 6 for Warning and First Aid Information.

Hardware

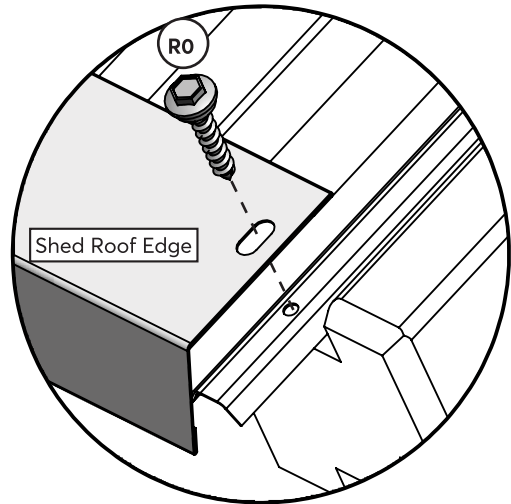
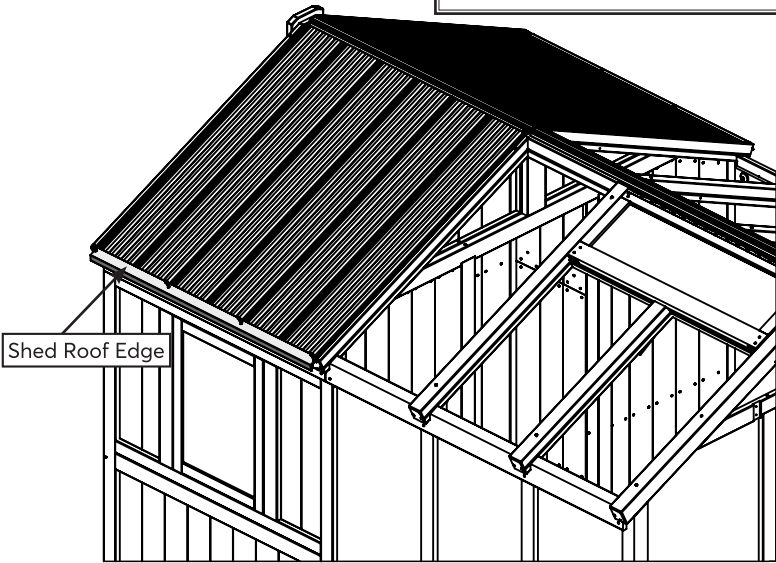
14 x (R0)

Components

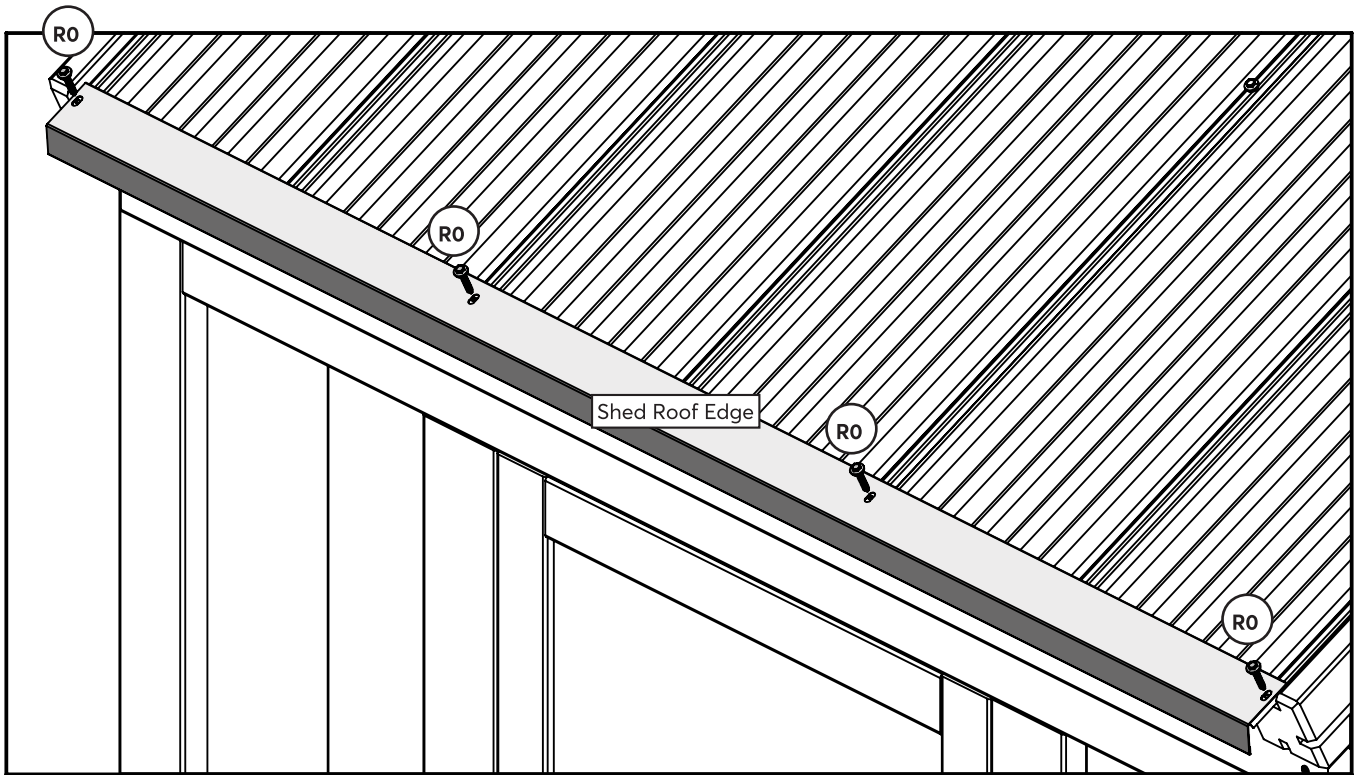
2 x Roof Panel



Repeat this step for the other side



Align hole



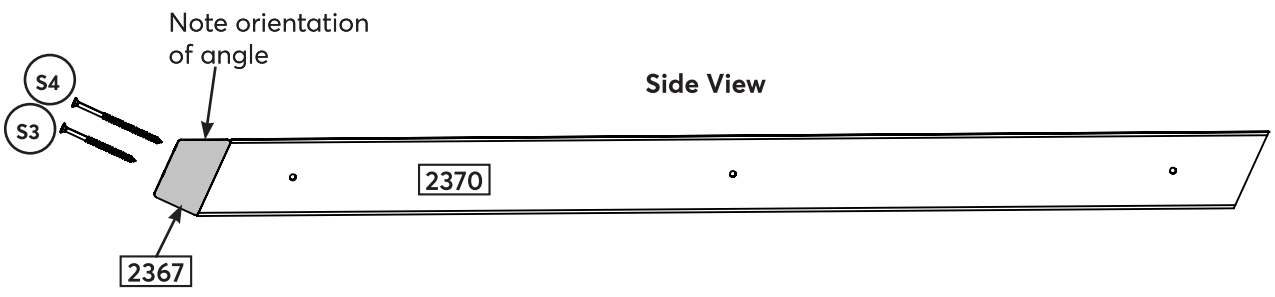
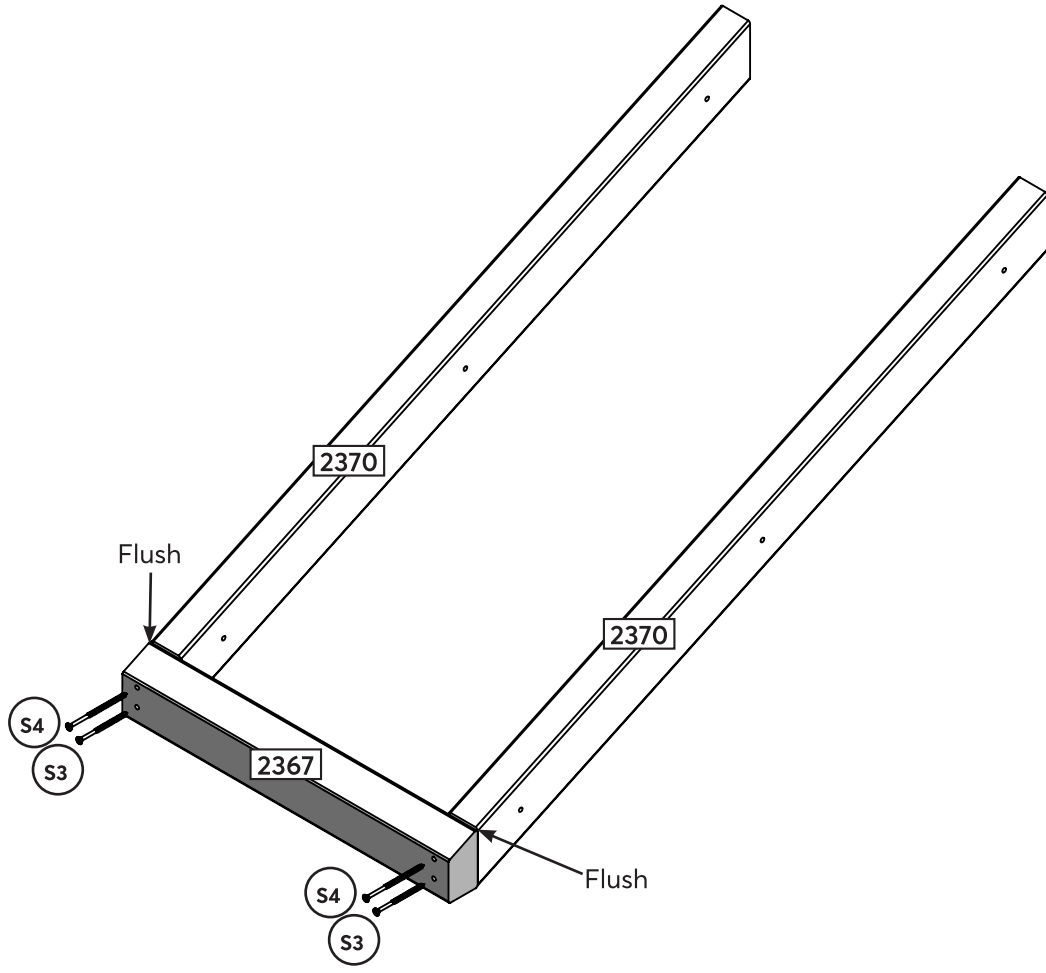
Hardware

8 x 

Components

2 x Shed Roof Edge

Complete this step twice



Wood Parts

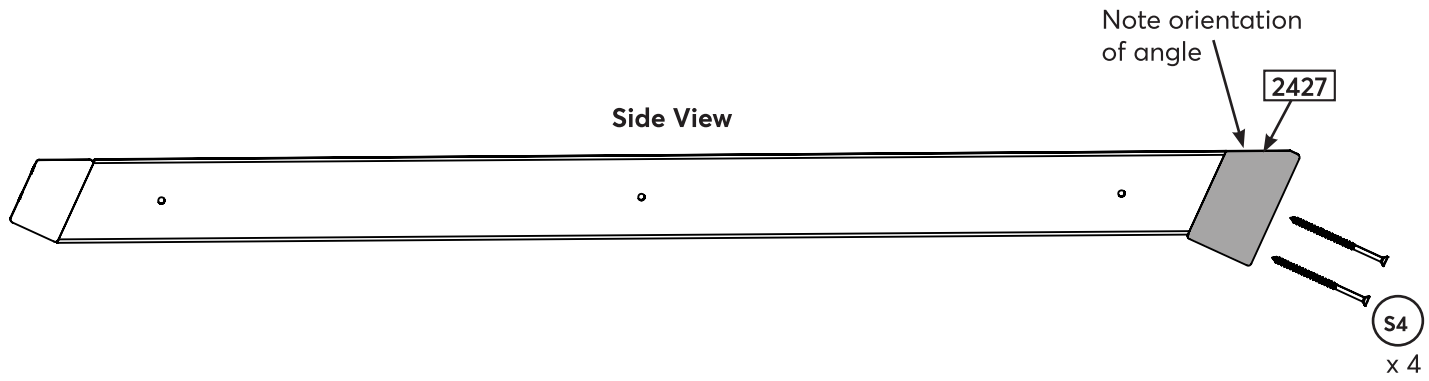
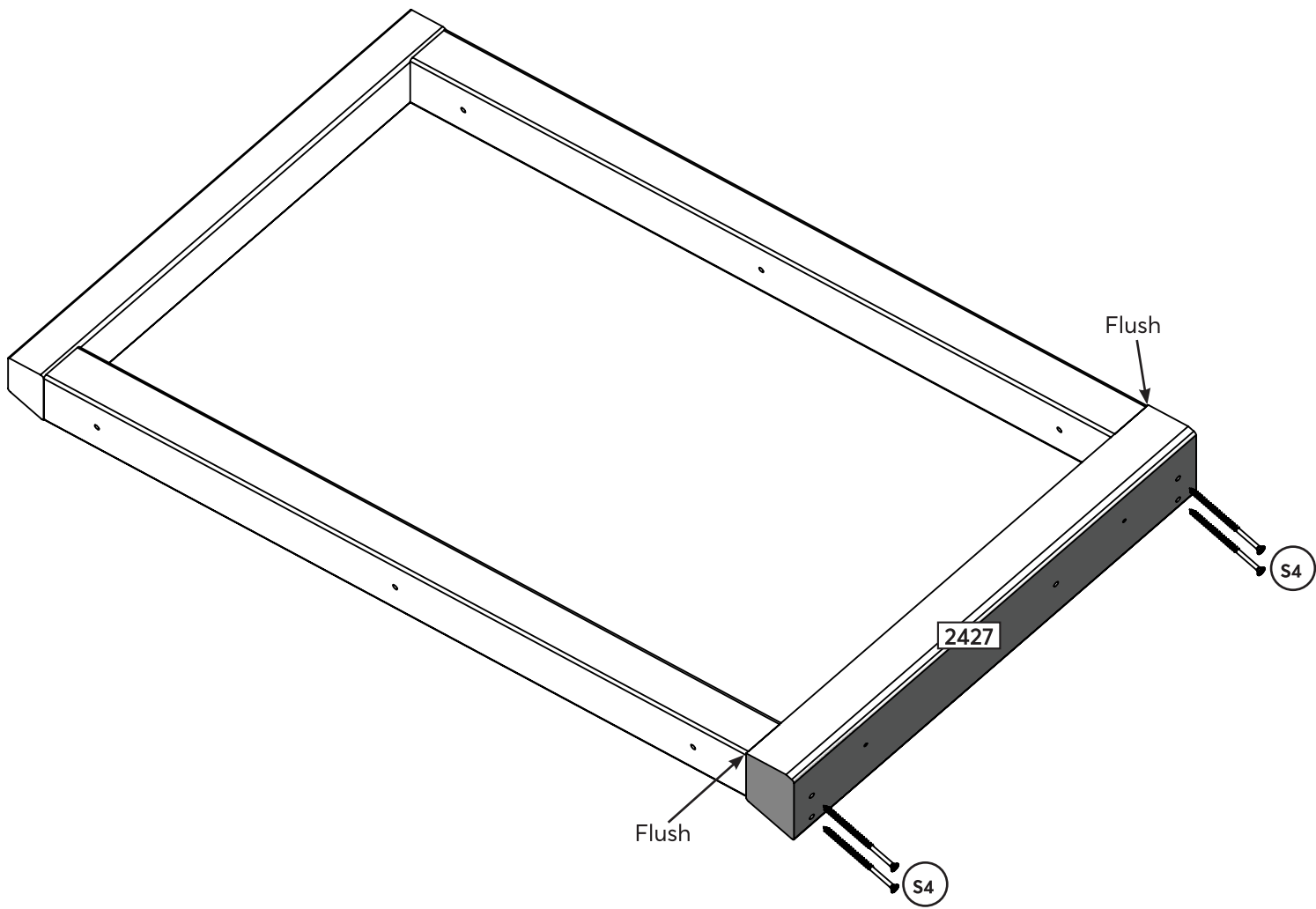
- 4 x 2370
- 2 x 2367

Hardware

- 4 x S3
- 4 x S4

81

Complete this step twice

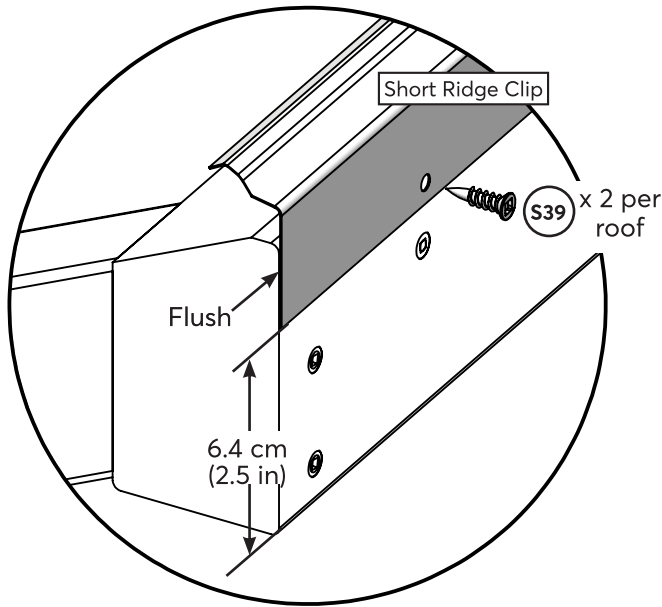
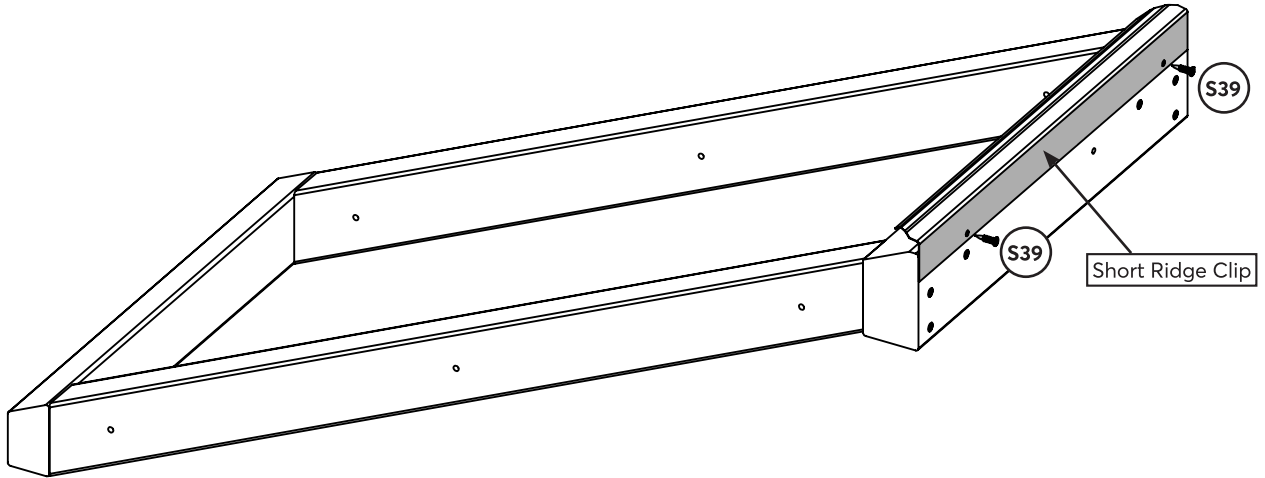


Wood Parts
2 x 2427

Hardware
8 x S4

82

Complete this step twice

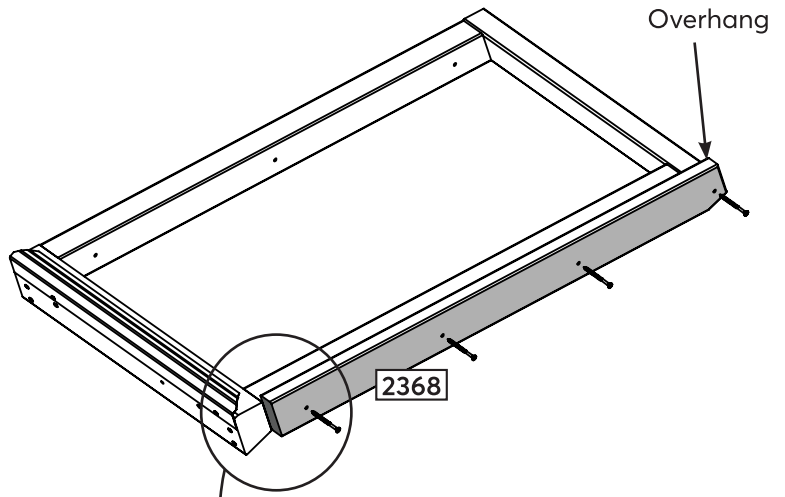
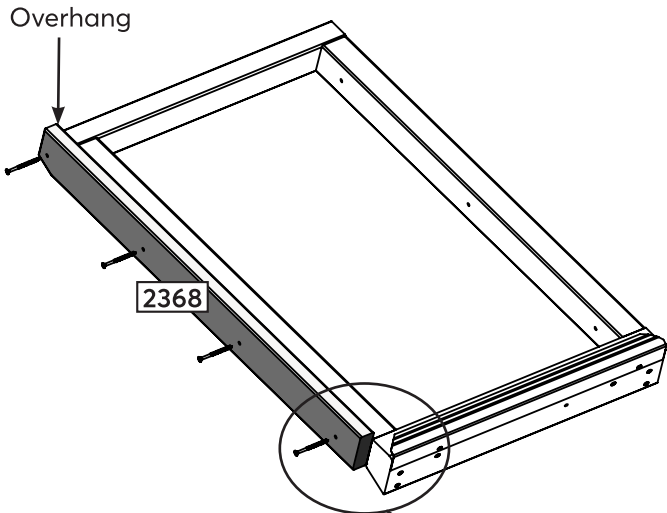


Hardware

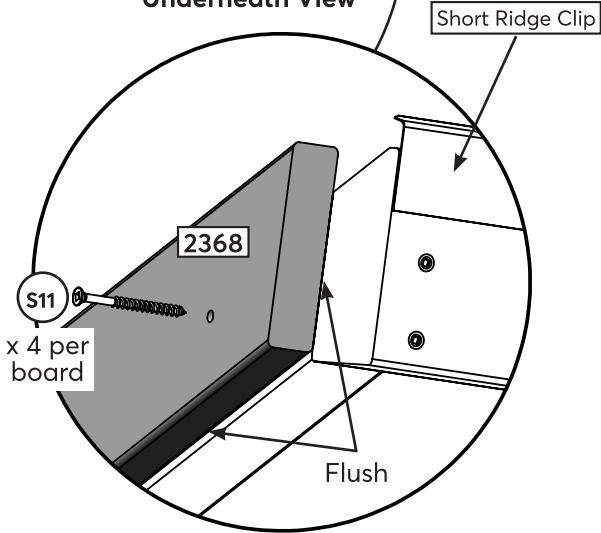
4 x S39

Components

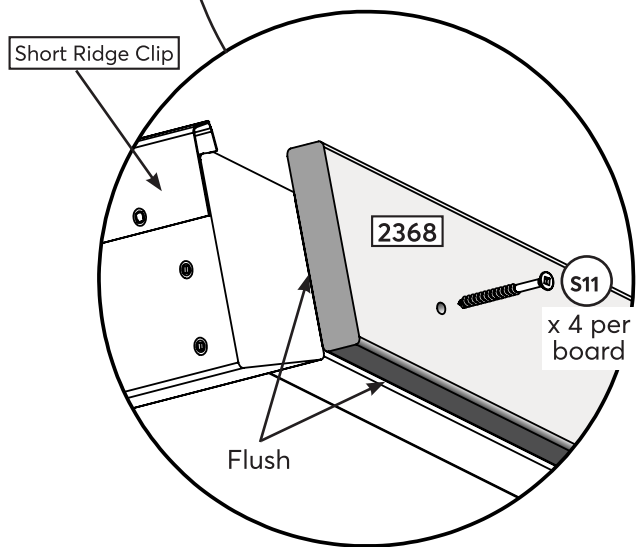
2 x Short Ridge Clip



Underneath View



Underneath View

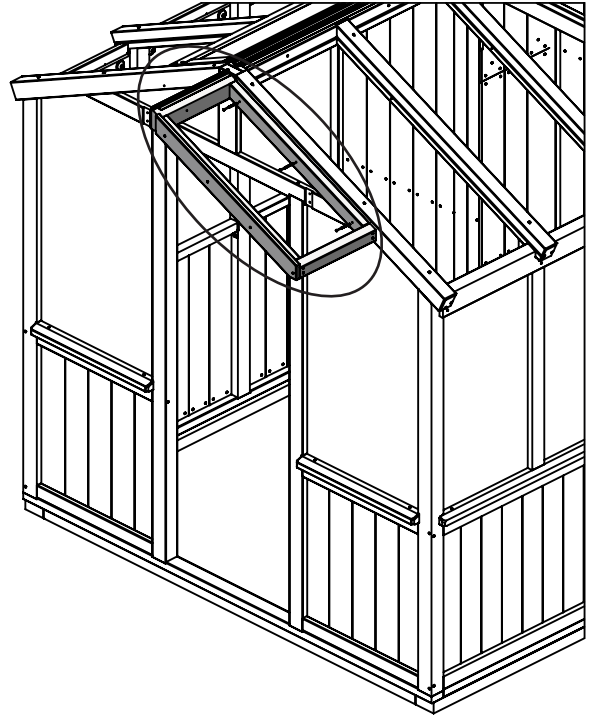
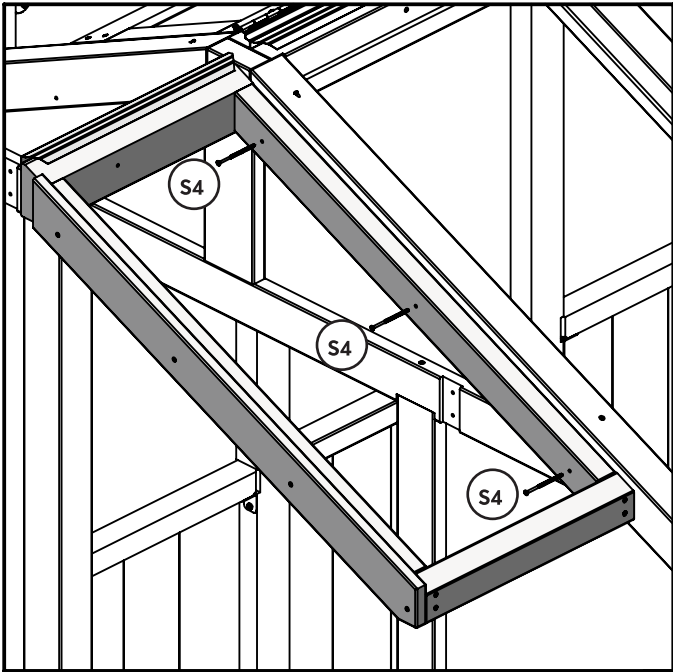


Wood Parts

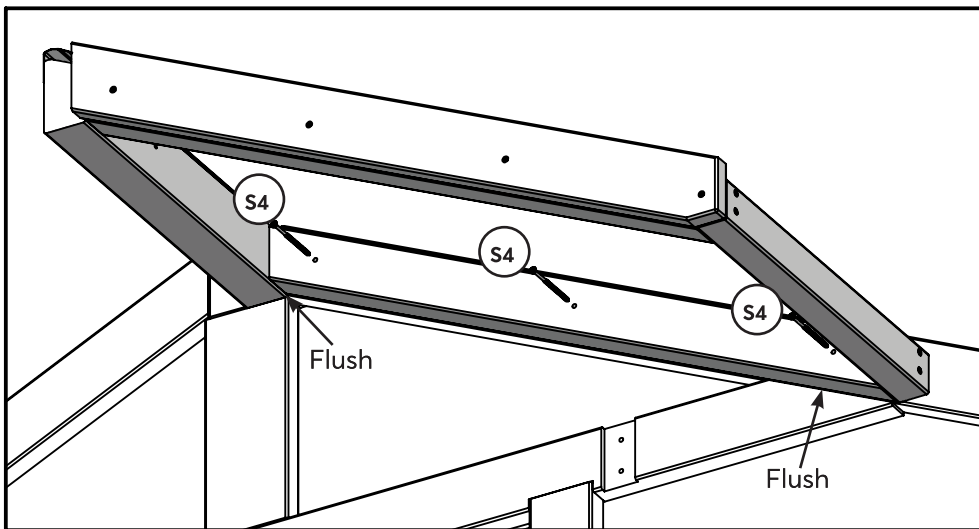
2 x 2368

Hardware

8 x S11

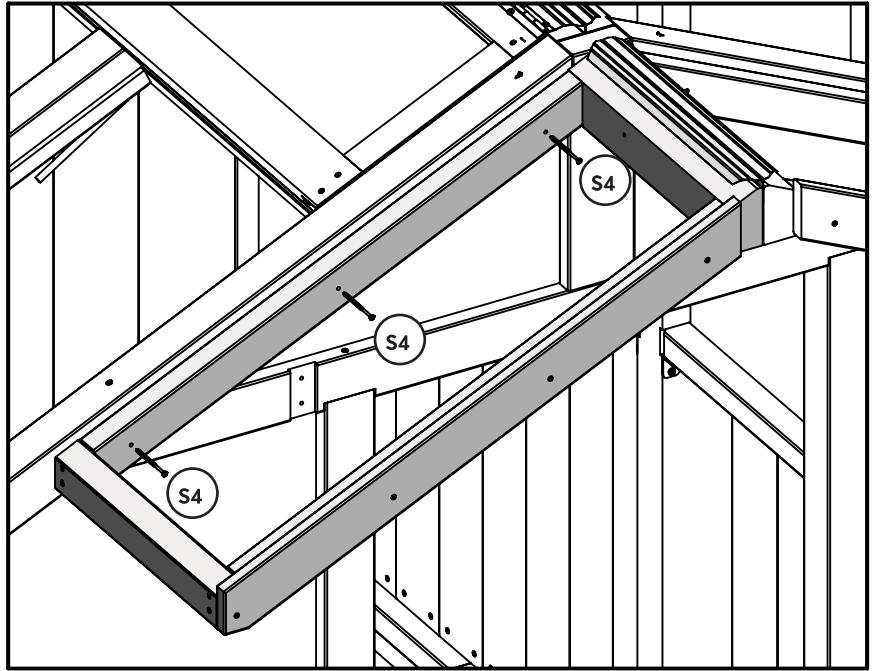
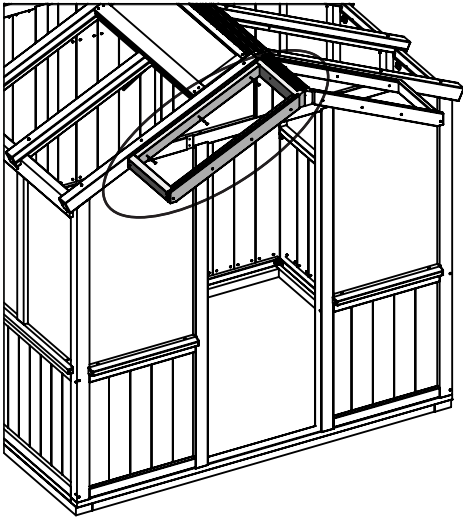


Underneath View

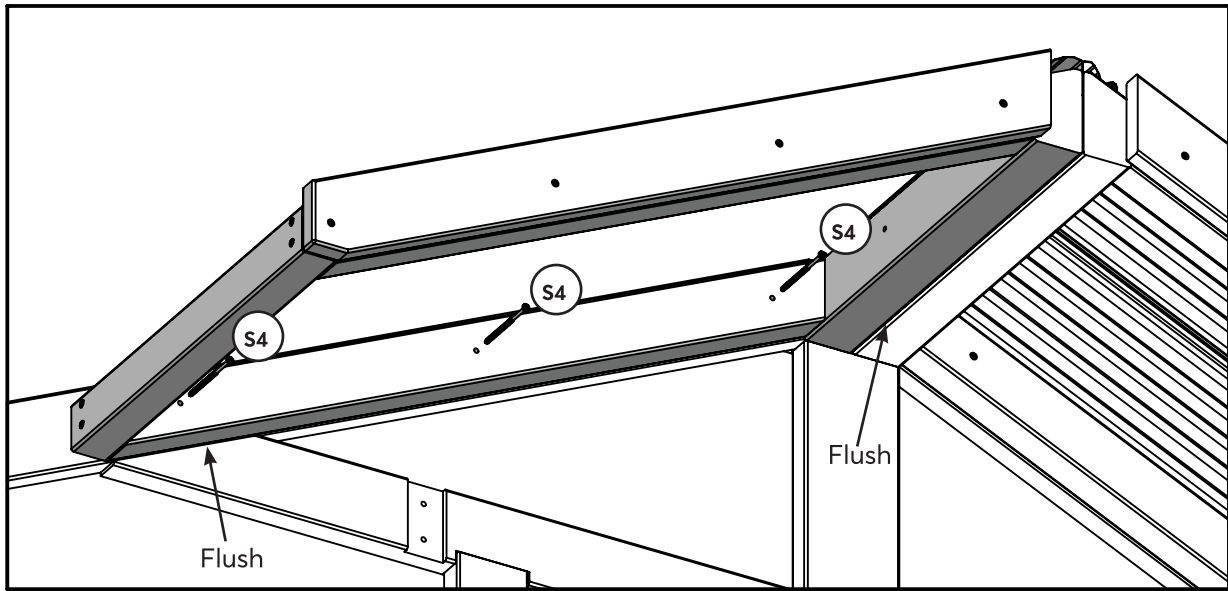


Hardware

3 x 

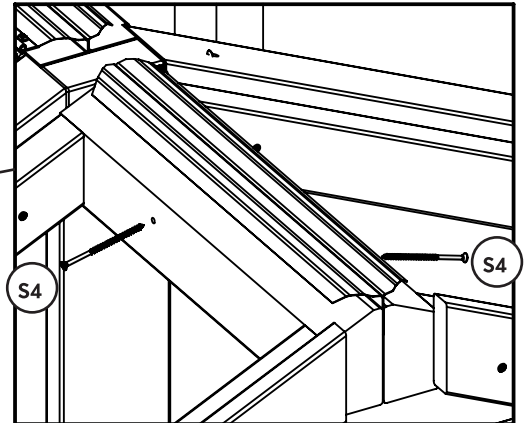
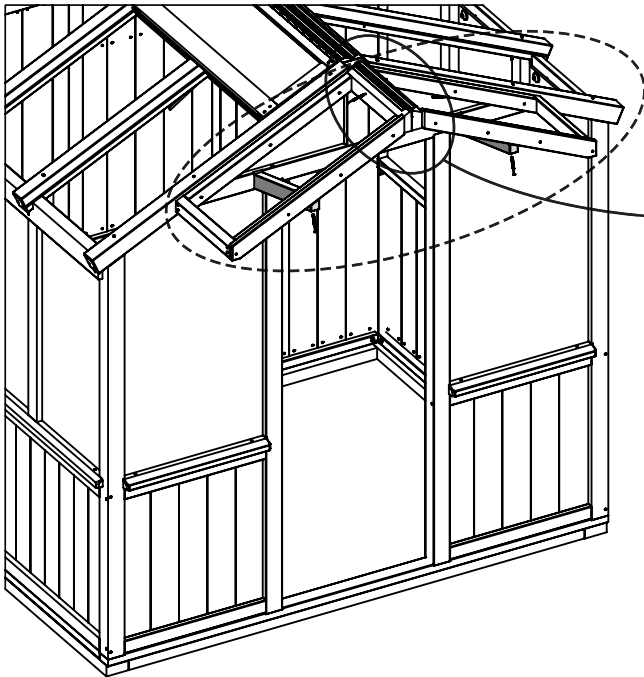


Underneath View

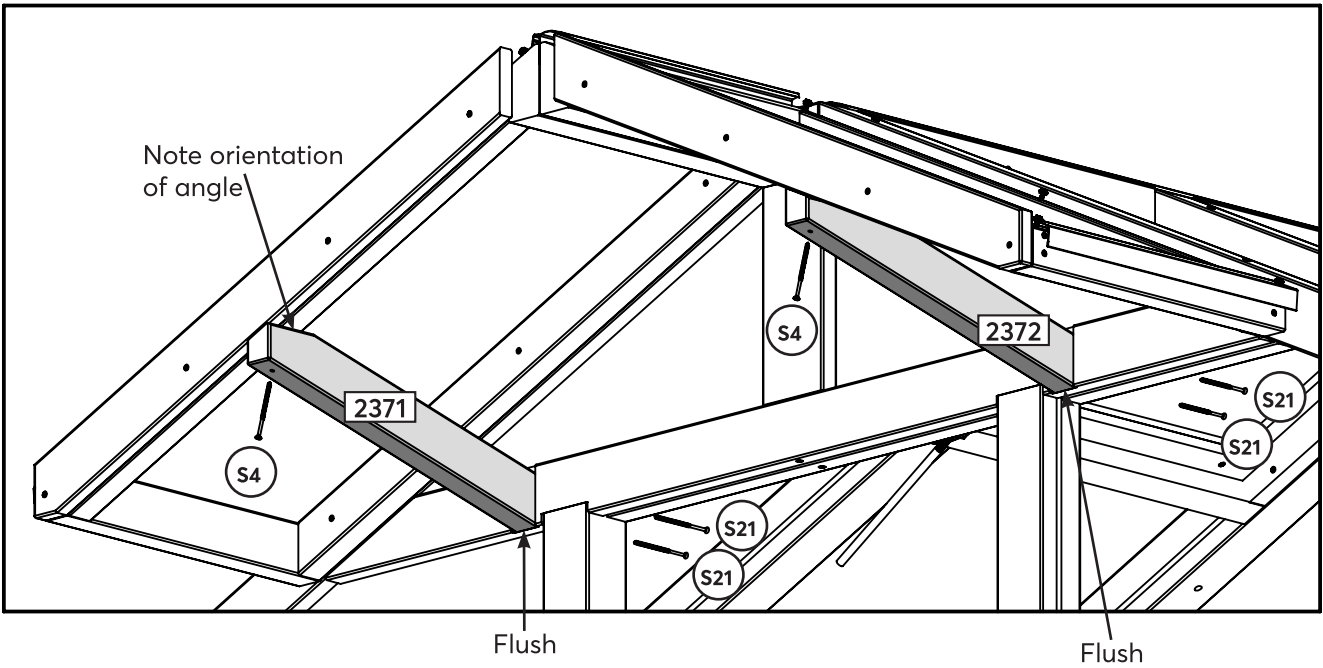


Hardware

3 x 



Underneath View



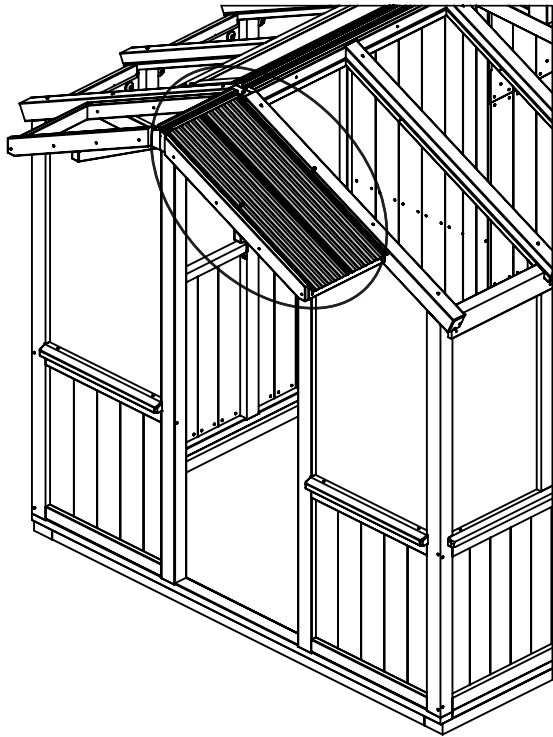
Wood Parts

- 1 x 2371
- 1 x 2372

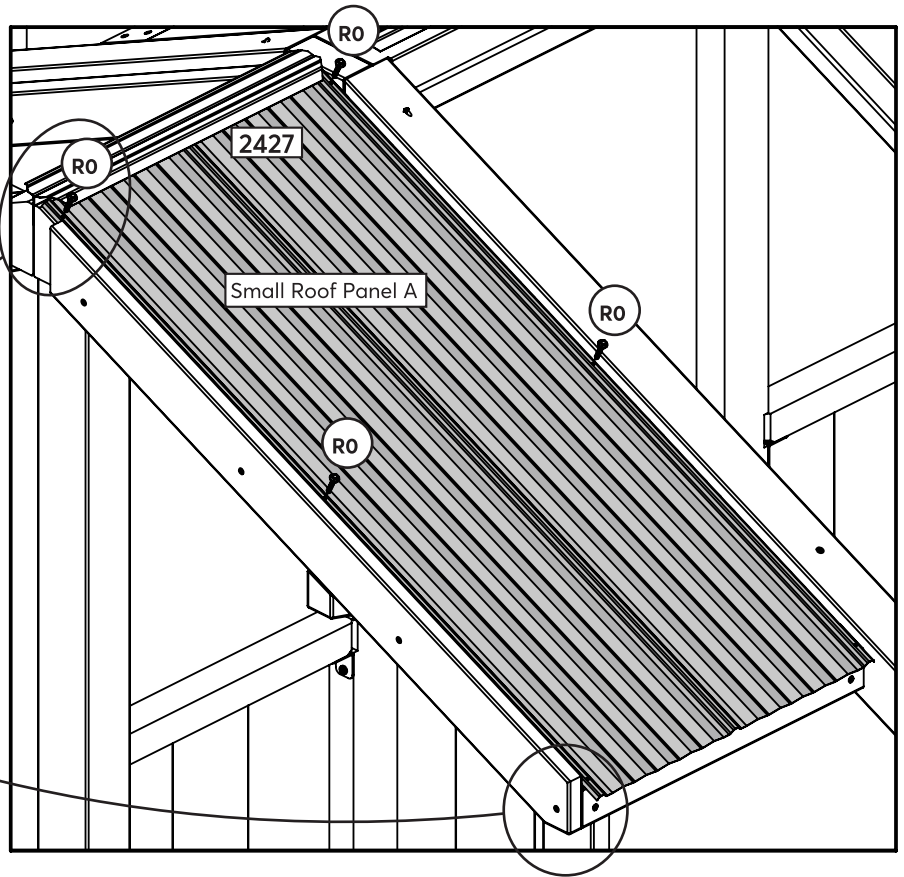
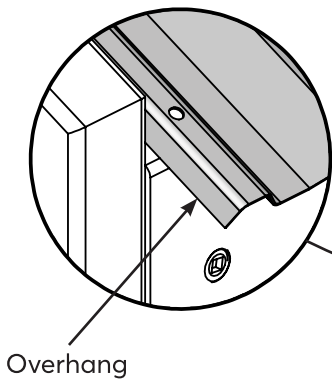
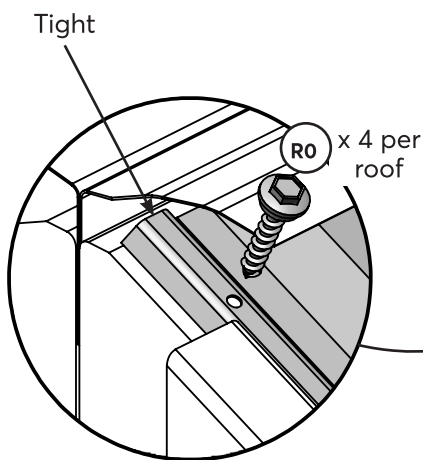
Hardware

- 4 x S4
- 4 x S21

87



DO NOT overtighten screws, could cause damage to roofing material



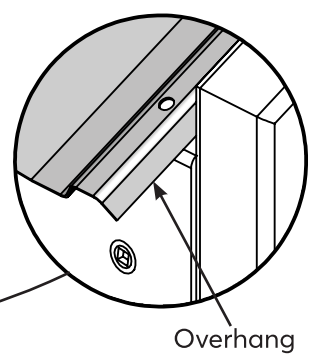
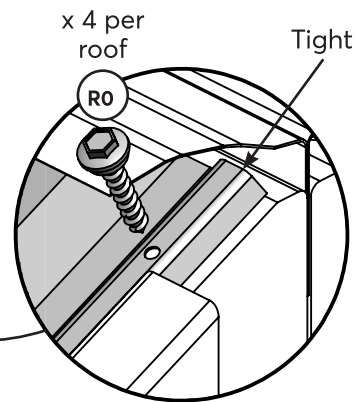
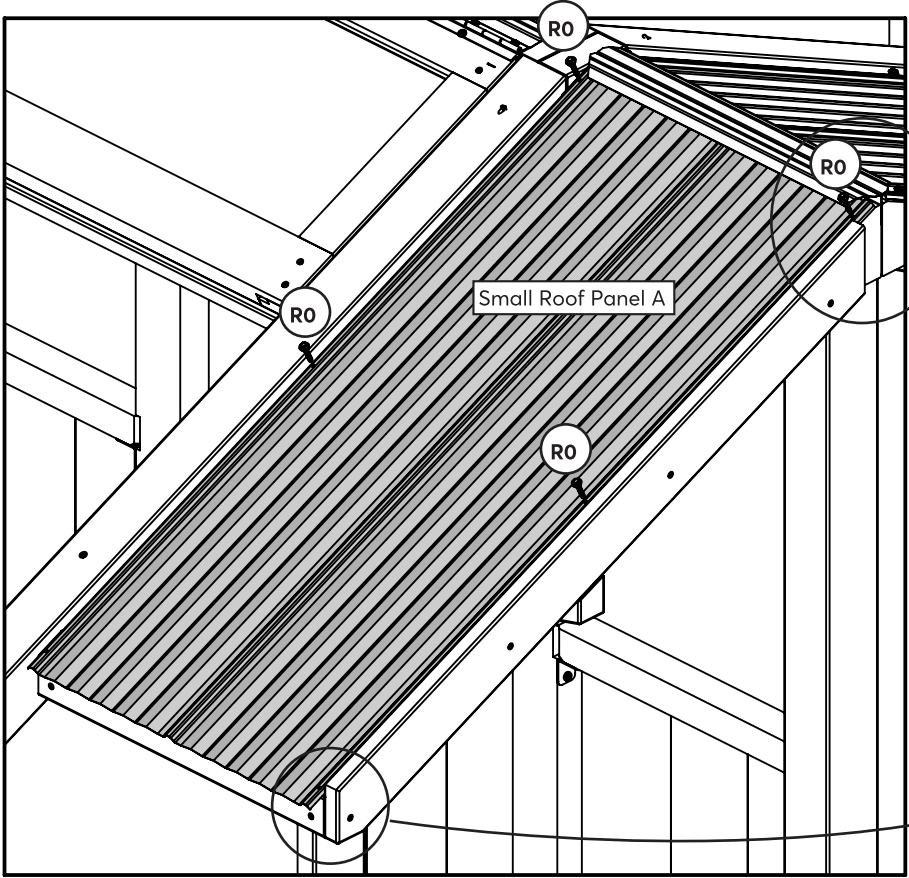
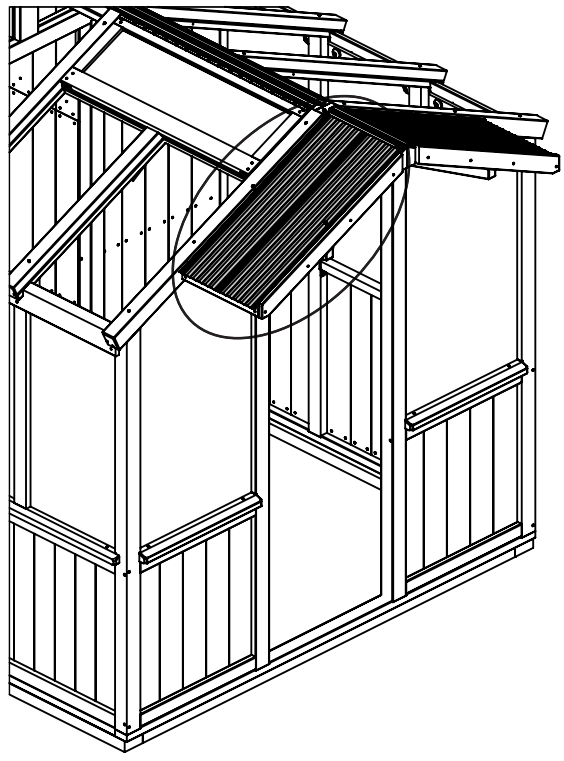
Hardware

4 x R0

Components

1 x Small Roof Panel A

DO NOT overtighten screws, could cause damage to roofing material

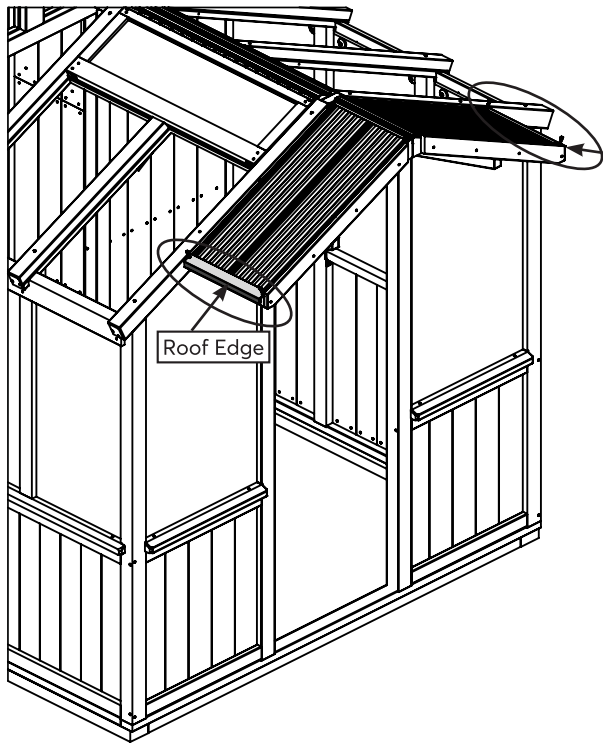


Hardware

4 x 

Components

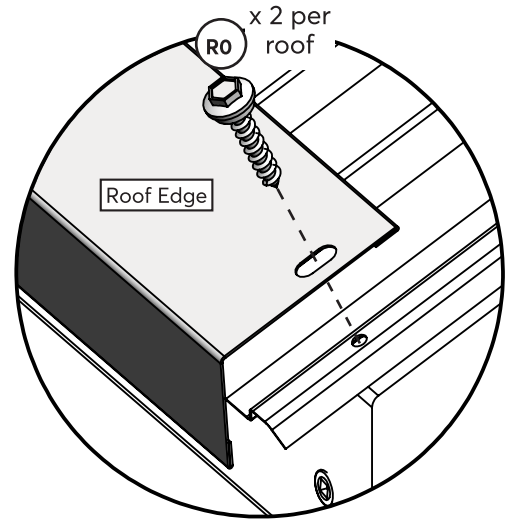
1 x Small Roof Panel A



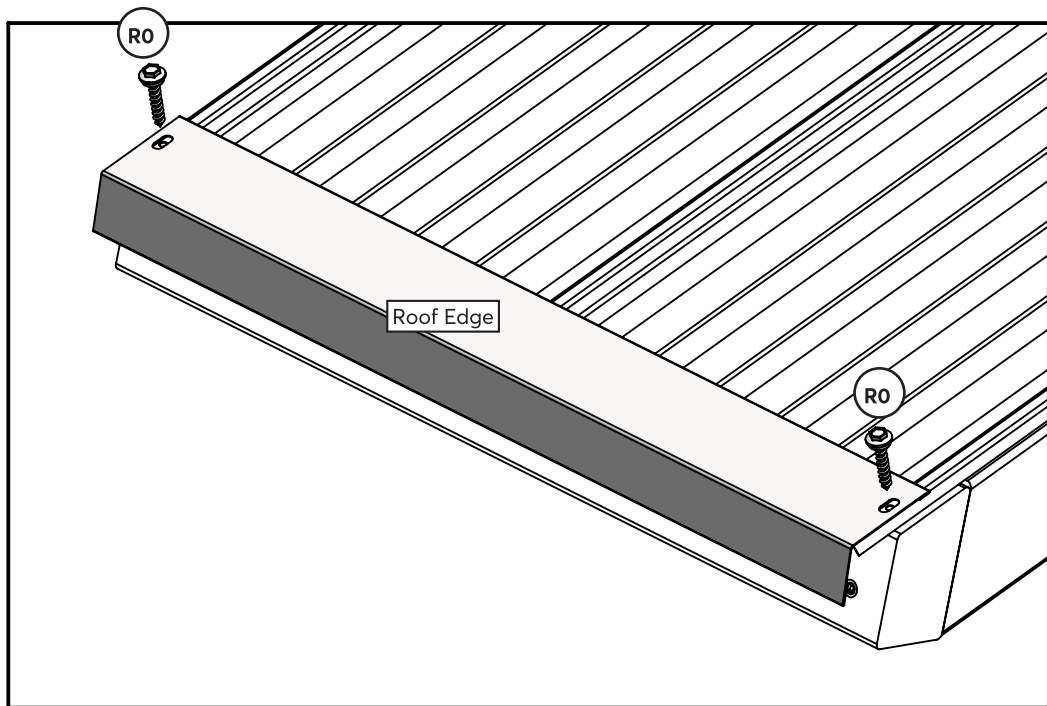
Repeat on the other side

Roof Edge

Roof Edge



Align hole

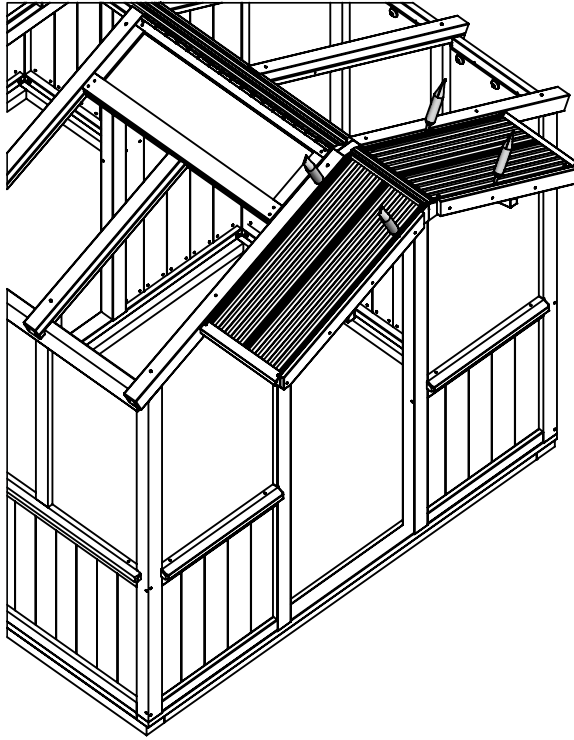


Hardware

4 x R0

Components

2 x Roof Edge

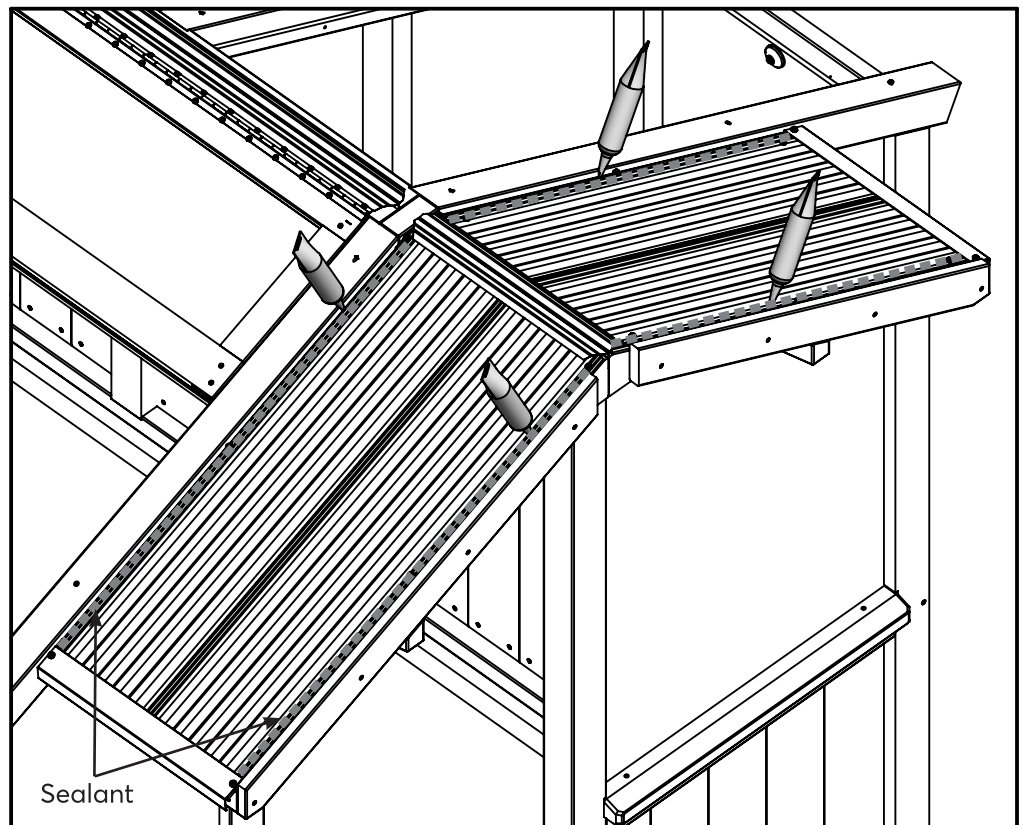


**Note: Apply bead of sealant
at both sides of roofs**

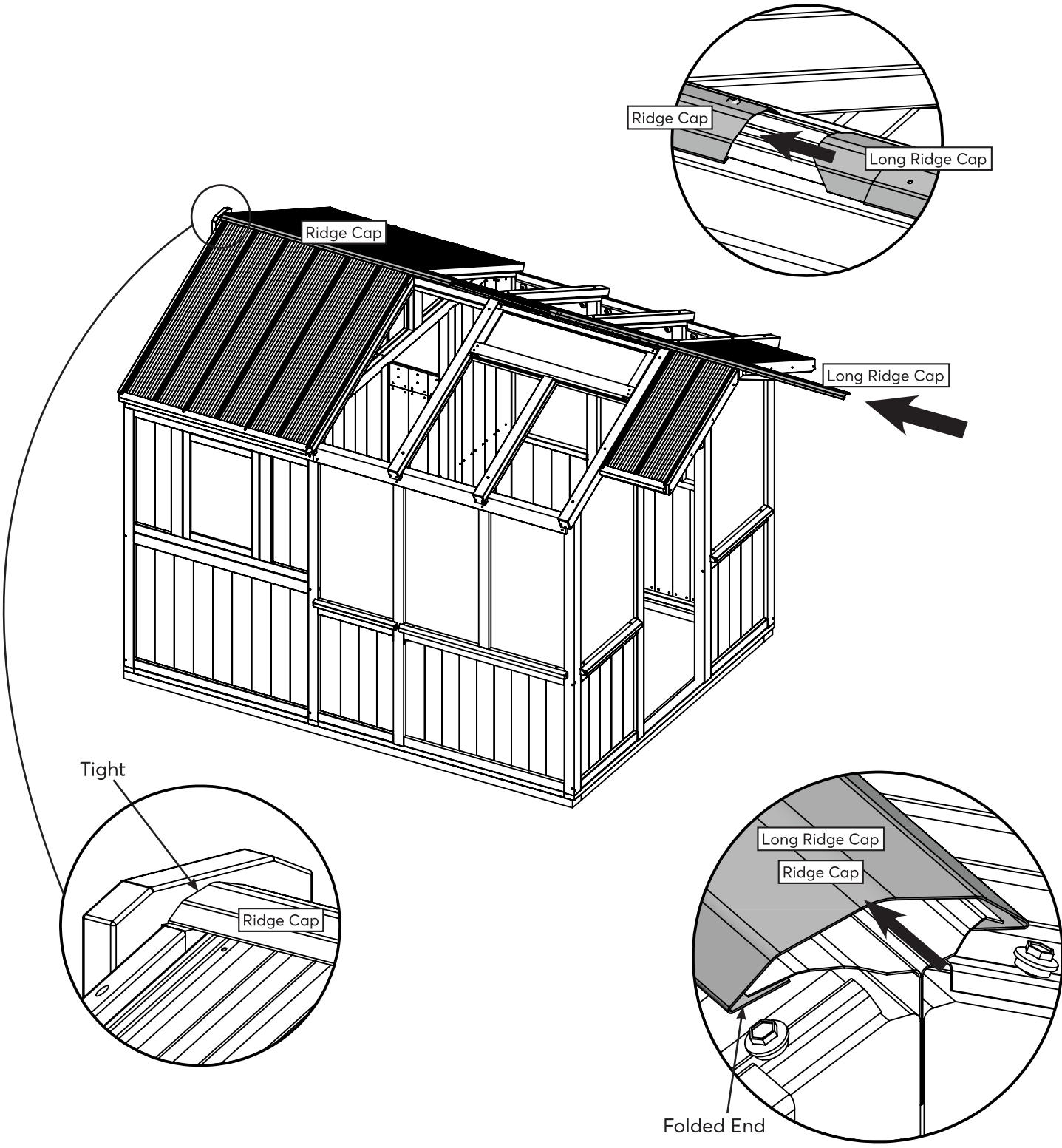
Note: All surfaces to be clean, dry, dust and grease free before application with temperatures above 5°C (41°F), no warmer than 35°C (95°F).

- Apply sealant in small beads and smooth as required.
- Clean excess with a cloth or paper towel before it skins over.
- Always wear safety glasses and rubber gloves when using product.

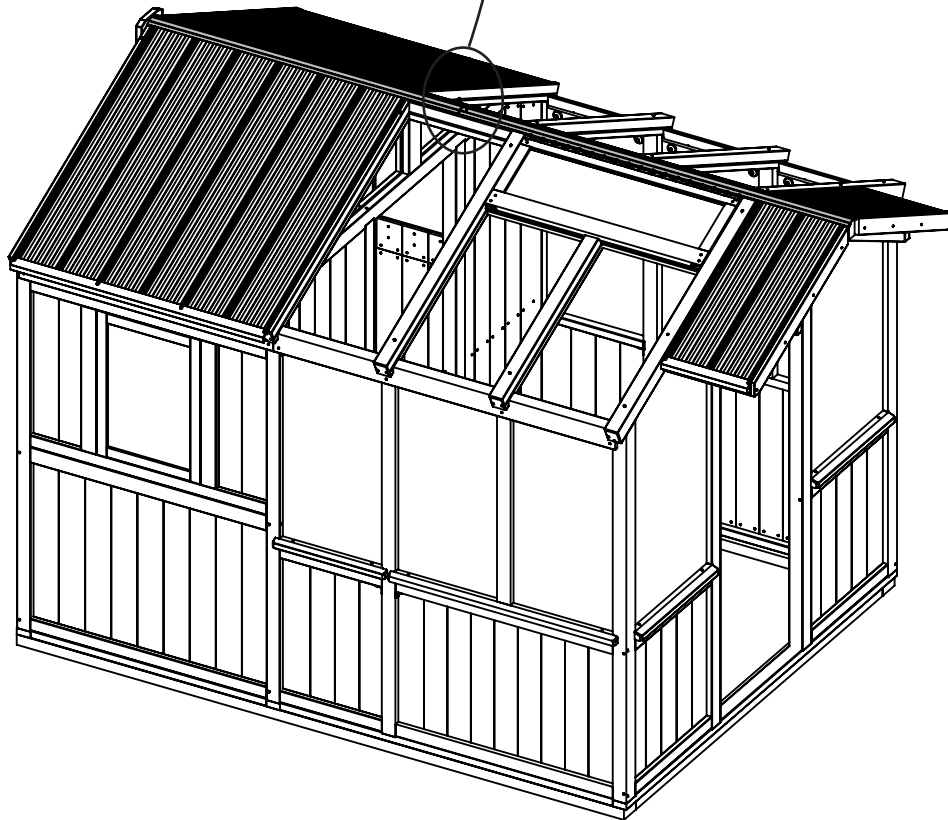
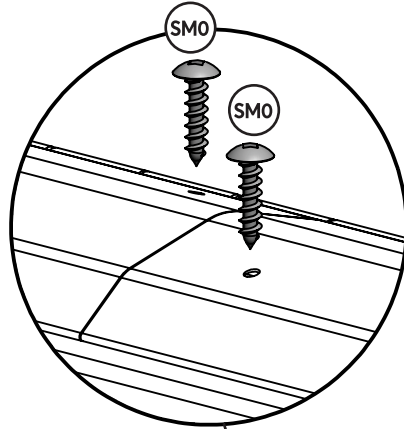
See page 6 for Warning and First Aid Information.



Note: To help Ridge Caps slide on easier use a lubricant such as liquid soap.

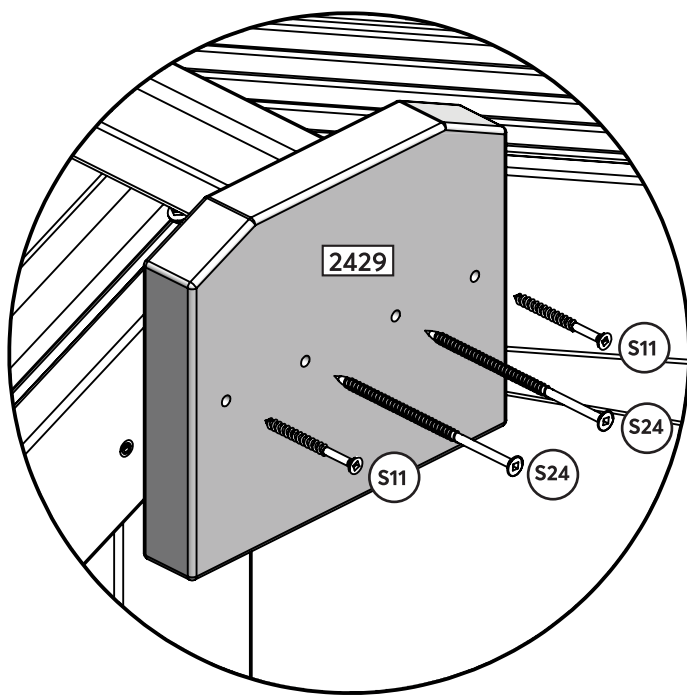
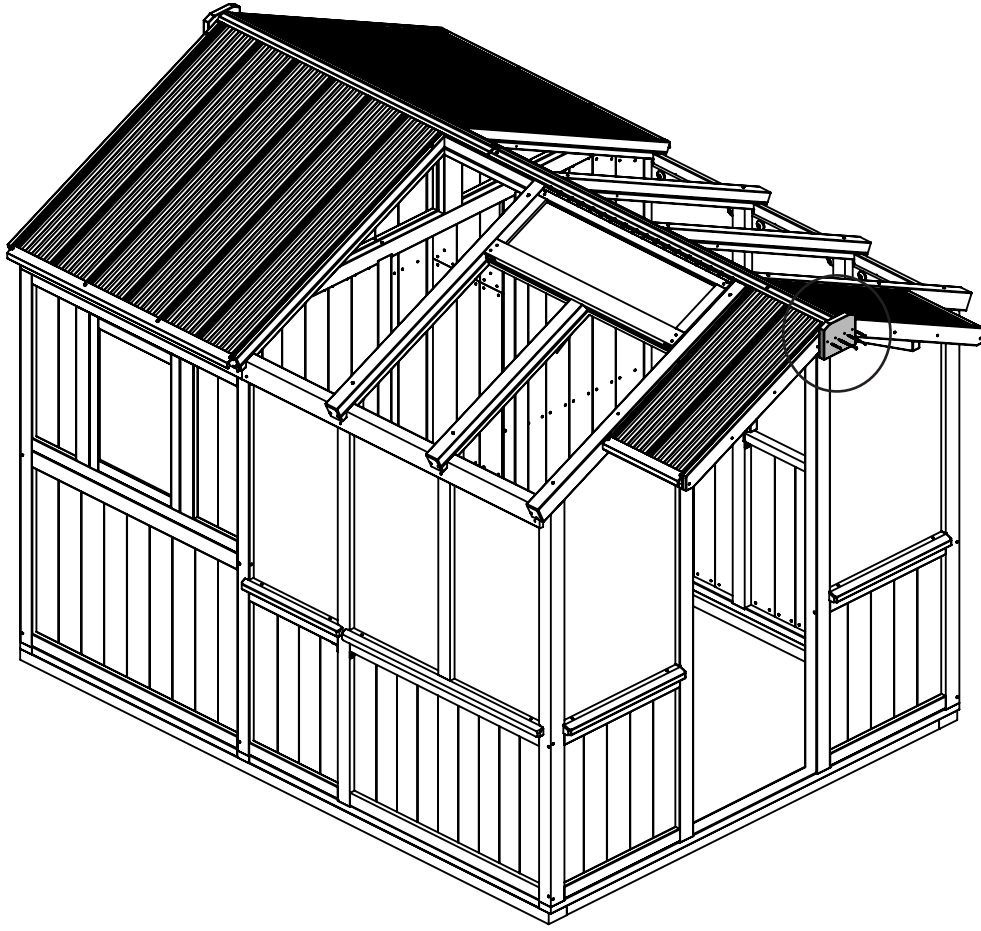
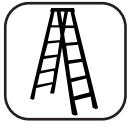


- Components**
1 x Ridge Cap
1 x Long Ridge Cap



Hardware

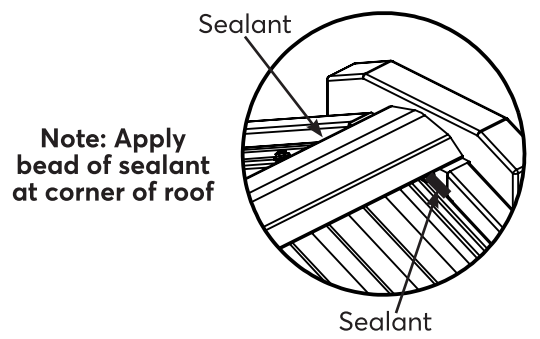
2 x 



Note: All surfaces to be clean, dry, dust and grease free before application with temperatures above 5°C (41°F), no warmer than 35°C (95°F).

- Apply sealant in small beads and smooth as required.
- Clean excess with a cloth or paper towel before it skins over.
- Always wear safety glasses and rubber gloves when using product.

See page 6 for Warning and First Aid Information.



Wood Parts

1 x 2429

Hardware

2 x S24

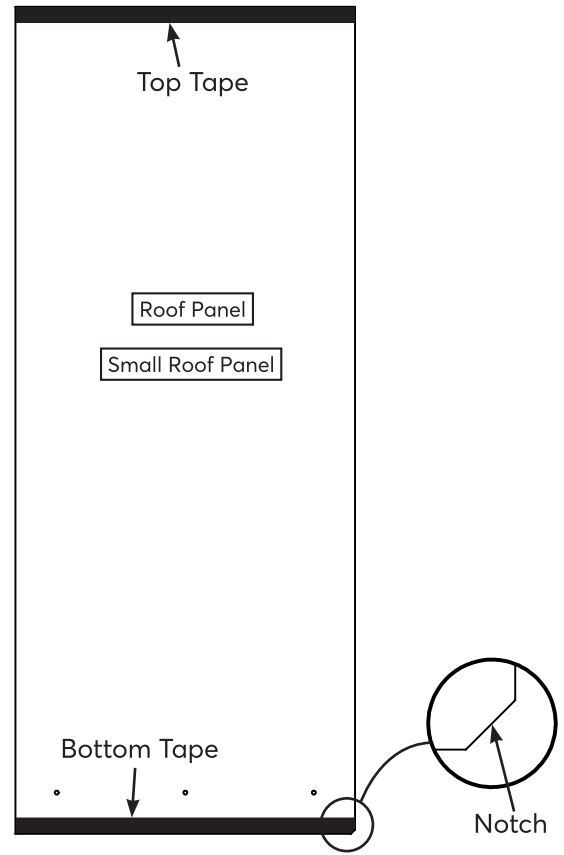
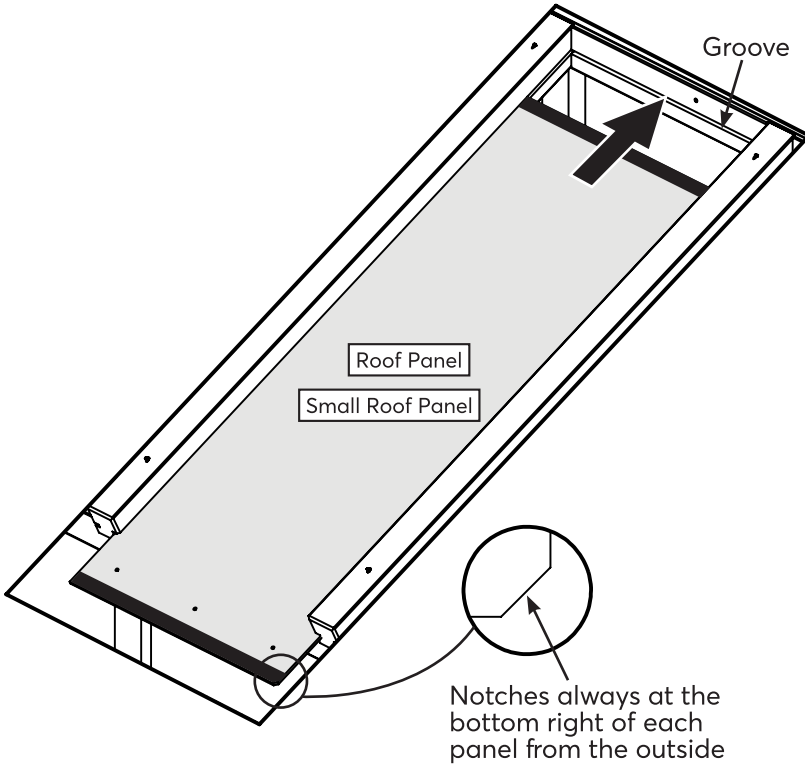
2 x S11

Remove film from both sides of Roof Panel and Small Roof Panels.

Refer to pages 19 and 20 and apply top and bottom tape to Roof Panel.

Note: Notches always at the bottom right of each panel from the outside.

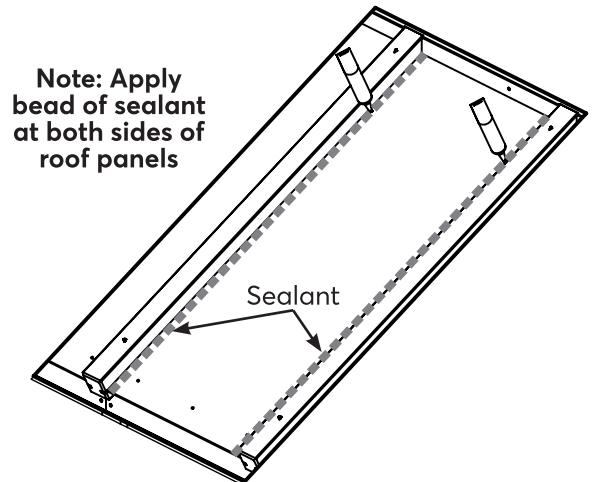
Note: UV Coating to the outside of the frame.



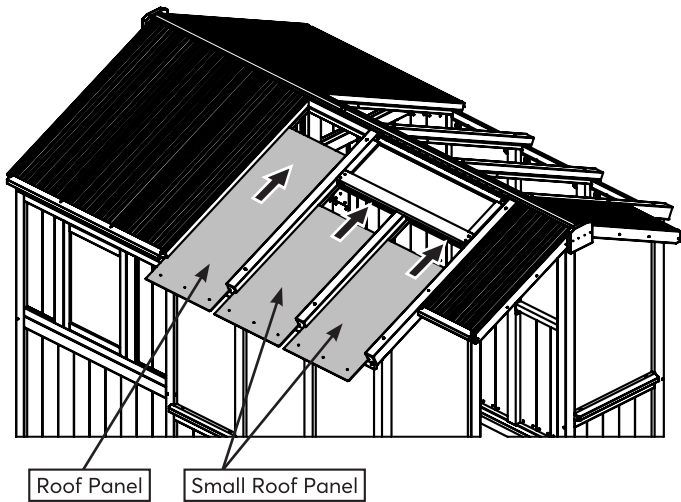
Note: All surfaces to be clean, dry, dust and grease free before application with temperatures above 5°C (41°F), no warmer than 35°C (95°F).

- Apply sealant in small beads and smooth as required.
- Clean excess with a cloth or paper towel before it skins over.
- Always wear safety glasses and rubber gloves when using product.

See page 6 for Warning and First Aid Information.



Note: Apply bead of sealant at both sides of roof panels



Components

1 x Roof Panel

2 x Small Roof Panel

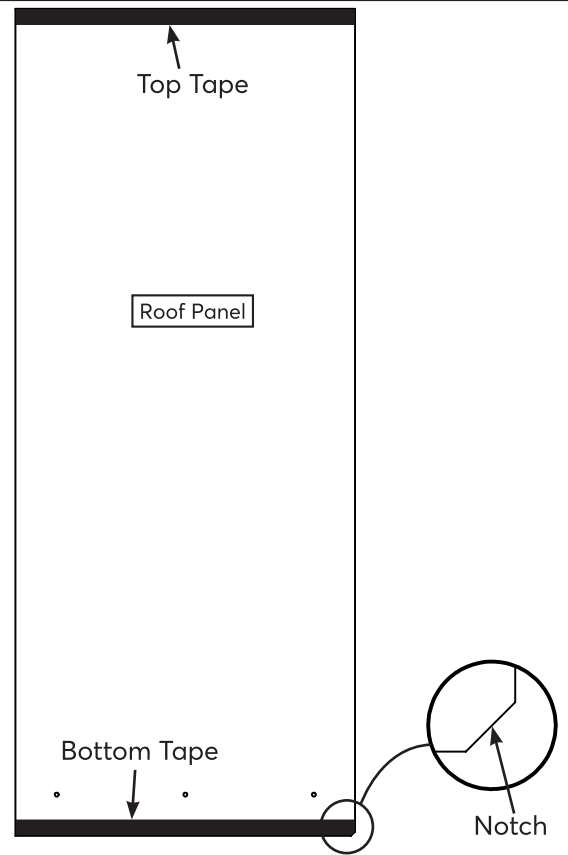
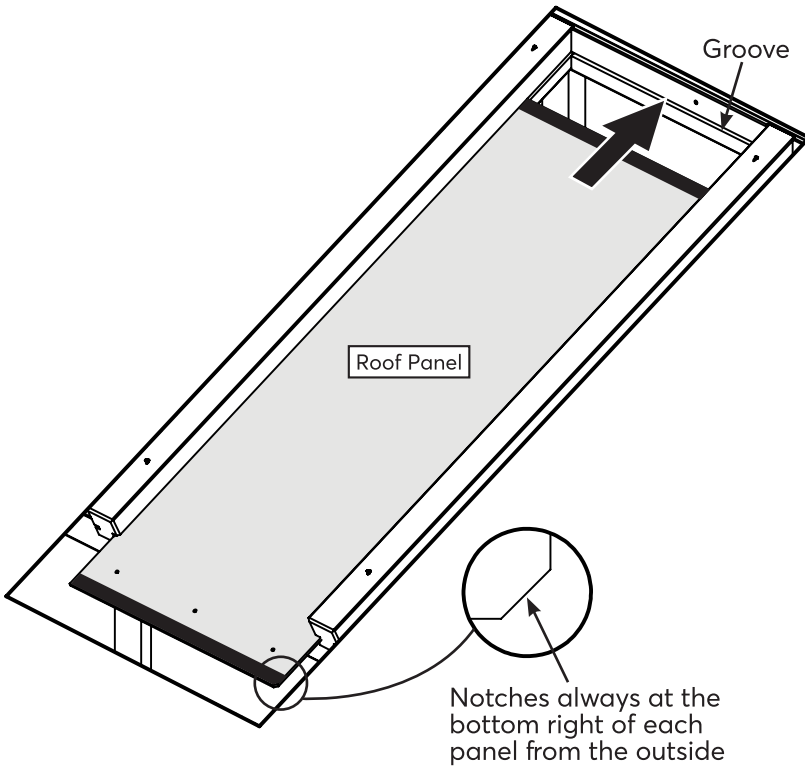
95

Remove film from both sides of Roof Panel.

Refer to pages 19 and 20 and apply top and bottom tape to Roof Panel.

Note: Notches always at the bottom right of each panel from the outside.

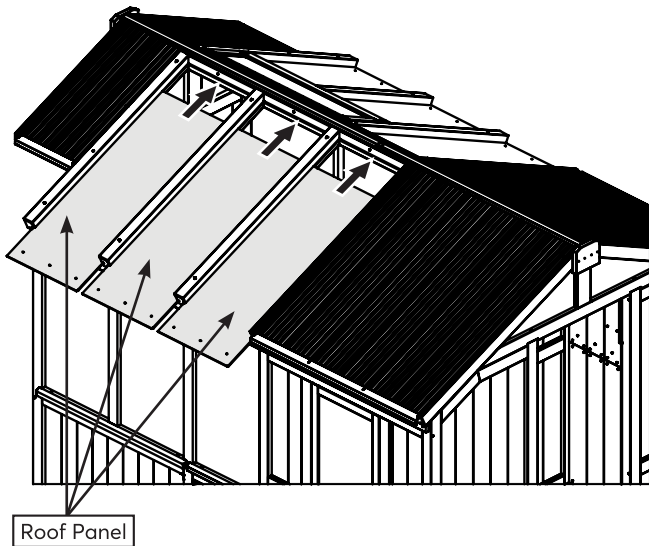
Note: UV Coating to the outside of the frame.



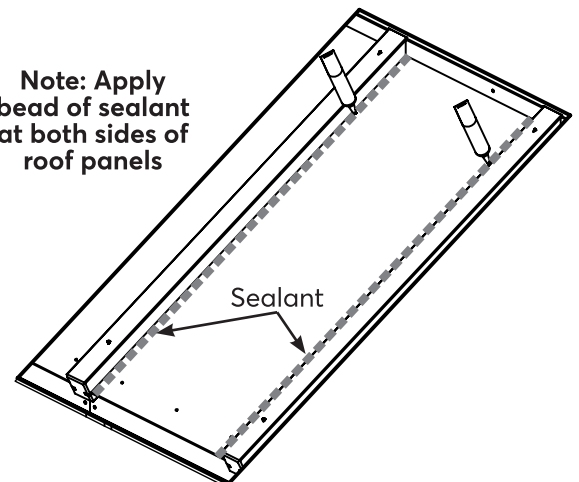
Note: All surfaces to be clean, dry, dust and grease free before application with temperatures above 5°C (41°F), no warmer than 35°C (95°F).

- Apply sealant in small beads and smooth as required.
- Clean excess with a cloth or paper towel before it skins over.
- Always wear safety glasses and rubber gloves when using product.

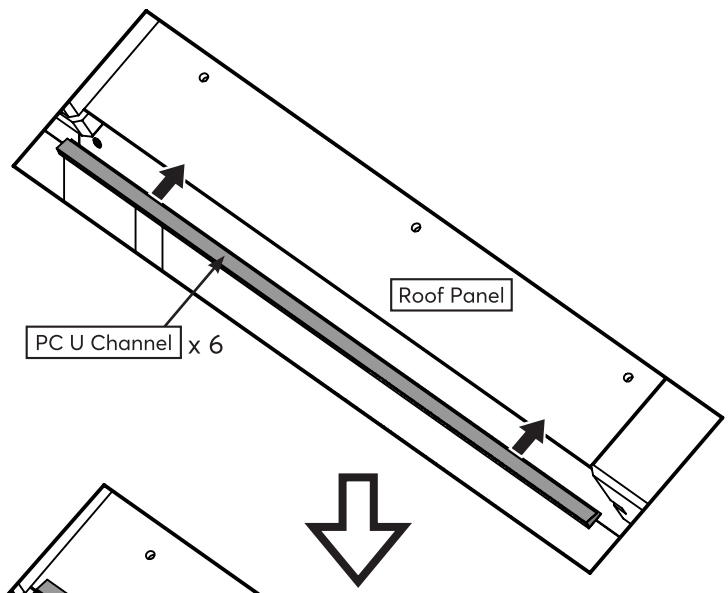
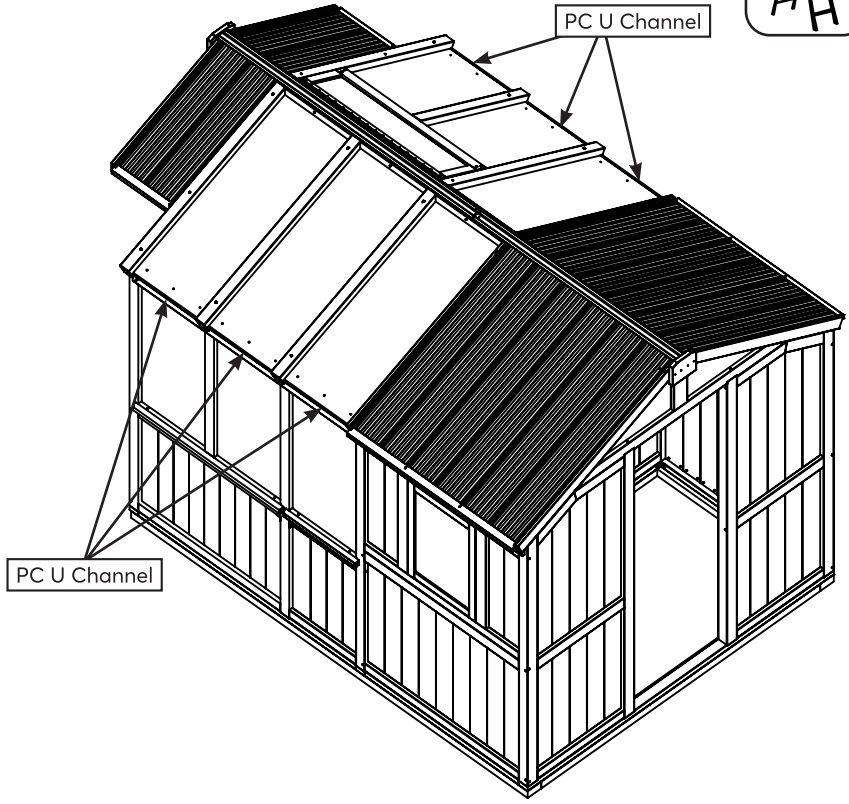
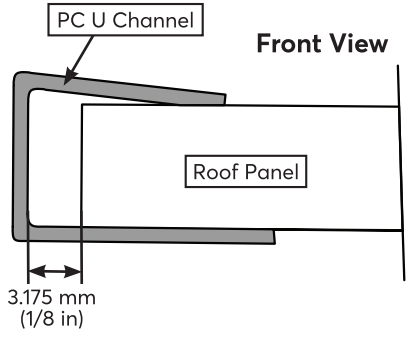
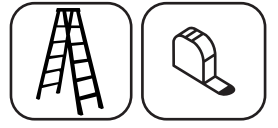
See page 6 for Warning and First Aid Information.



Note: Apply bead of sealant at both sides of roof panels



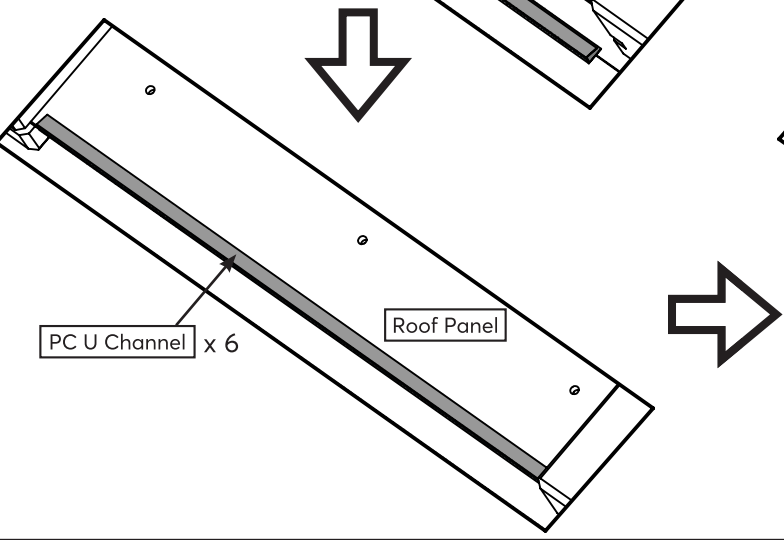
Components
3 x Roof Panel



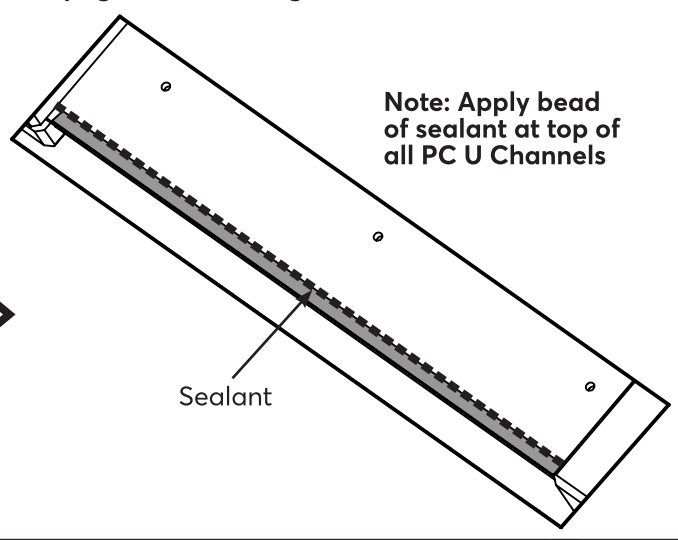
Note: All surfaces to be clean, dry, dust and grease free before application with temperatures above 5°C (41°F), no warmer than 35°C (95°F).

- Apply sealant in small beads and smooth as required.
- Clean excess with a cloth or paper towel before it skins over.
- Always wear safety glasses and rubber gloves when using product.

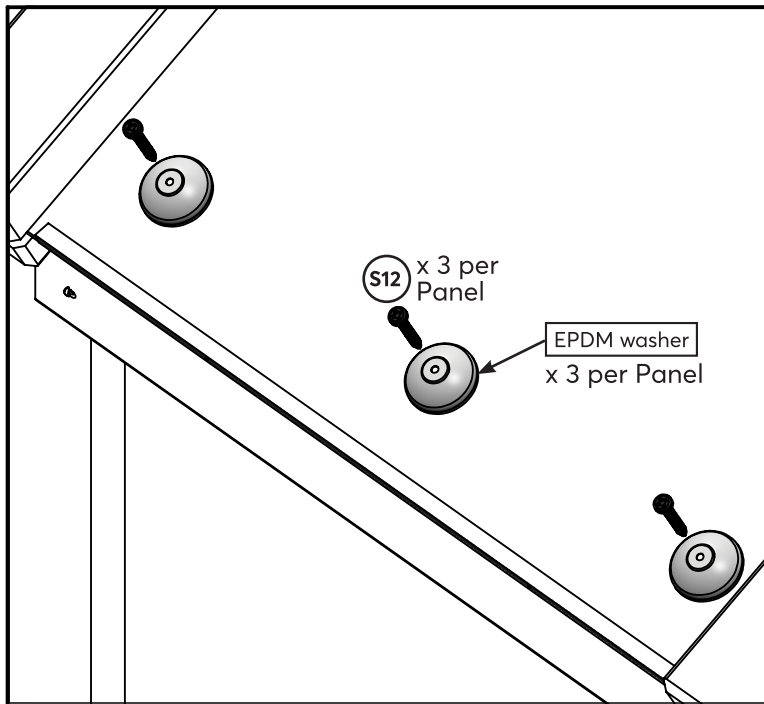
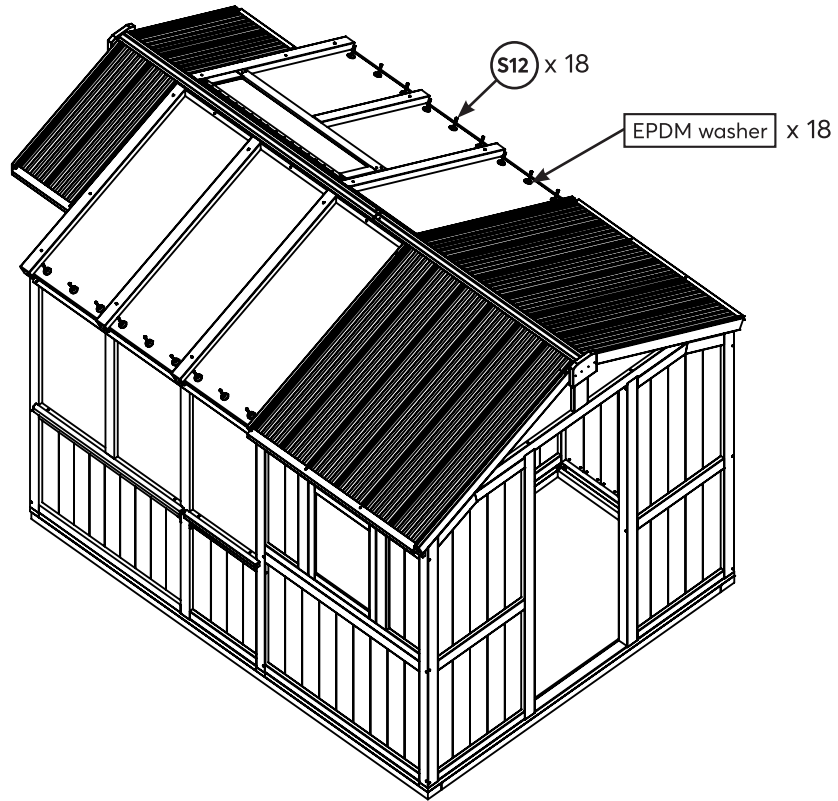
See page 6 for Warning and First Aid Information.



Note: Apply bead of sealant at top of all PC U Channels



Components
6 x PC U Channel



Hardware

18 x S12 (Black)

Components

18 x EPDM washer

98 Apply Sealant

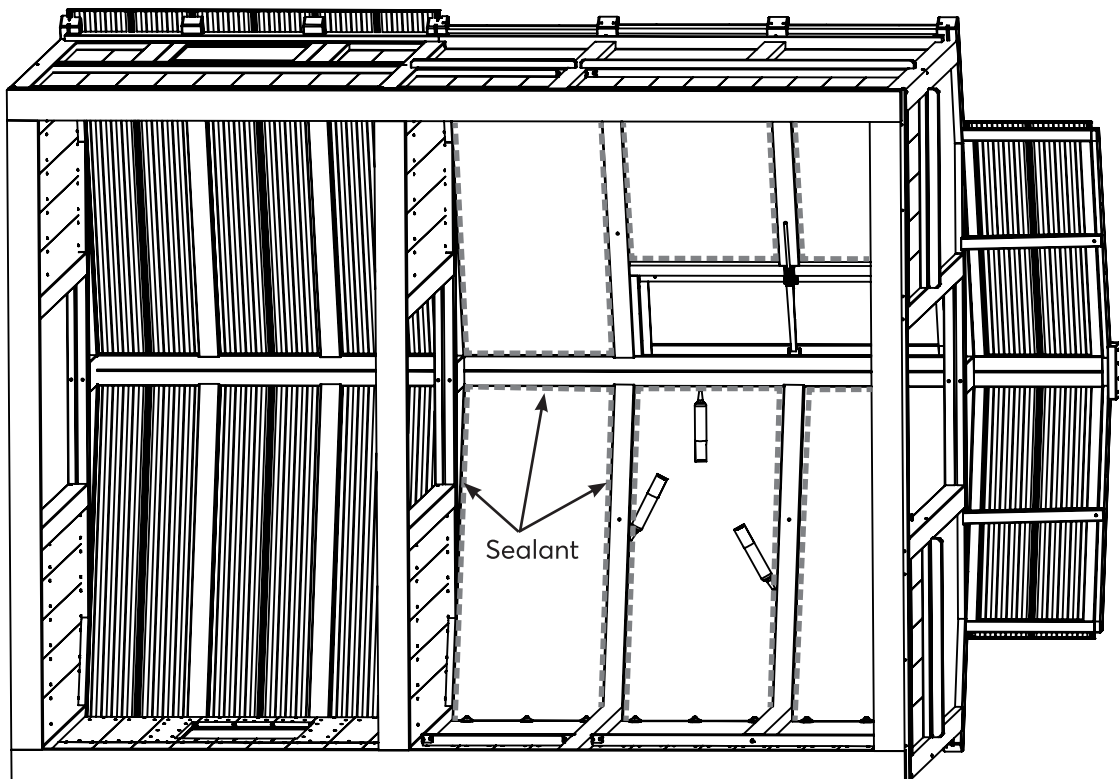
On the inside of the assembly apply silicone sealant on three sides of each Roof Panel.

Sealant should be applied in small beads and smoothed out.

Note: All surfaces to be clean, dry, dust and grease free before application with temperatures above 5°C (41°F), no warmer than 35°C (95°F).

- Apply sealant in small beads and smooth as required.
- Clean excess with a cloth or paper towel before it skins over.
- Always wear safety glasses and rubber gloves when using product.

See page 6 for Warning and First Aid Information.



99 Apply Sealant



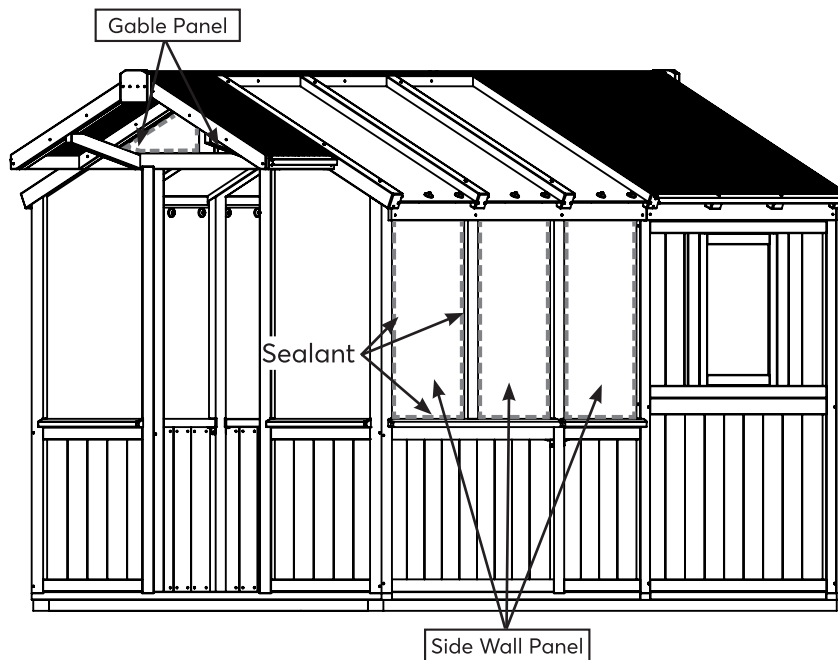
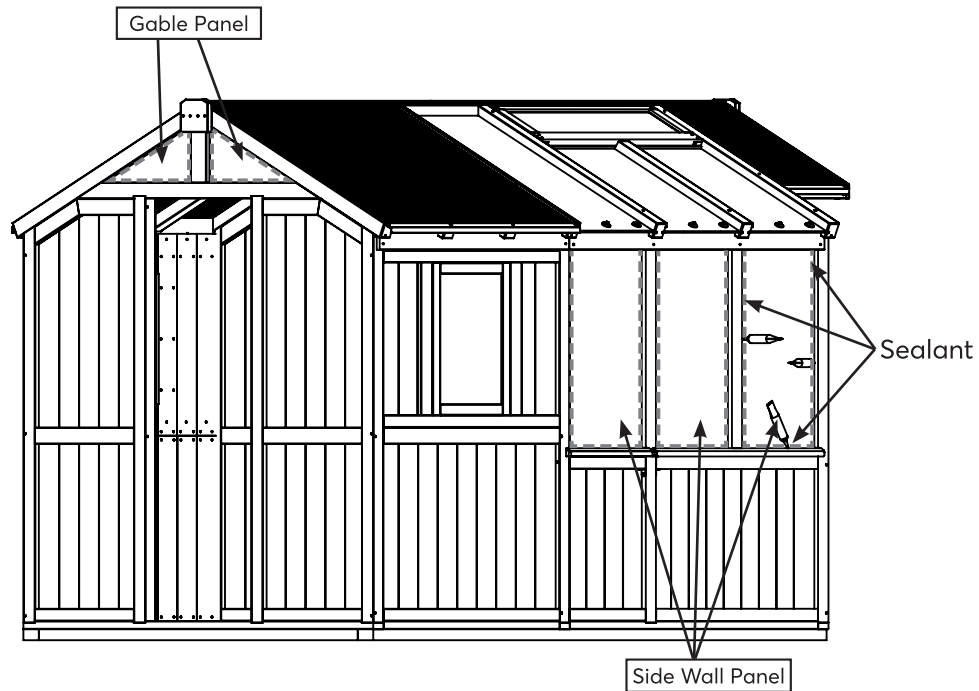
On both the inside and outside of the assembly apply silicone sealant on three sides of each Side Wall Panel and Gable Panel.

Sealant should be applied in small beads and smoothed out.

Note: All surfaces to be clean, dry, dust and grease free before application with temperatures above 5°C (41°F), no warmer than 35°C (95°F).

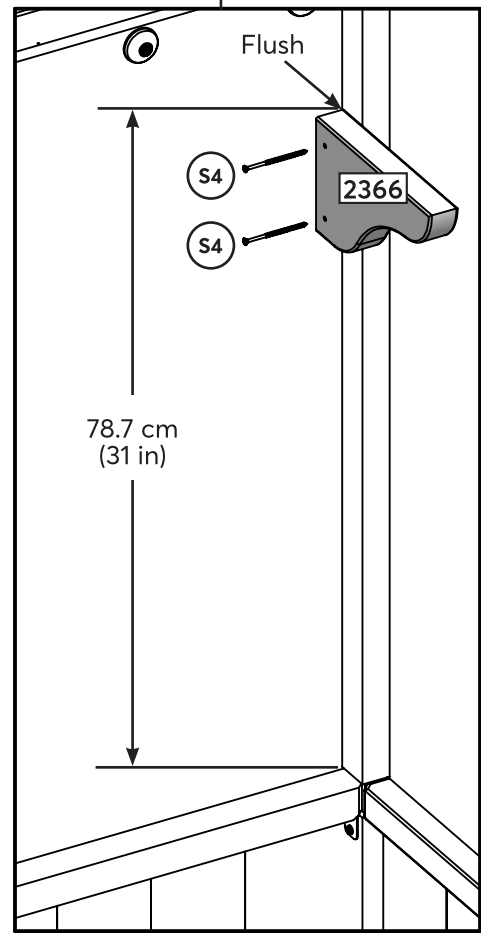
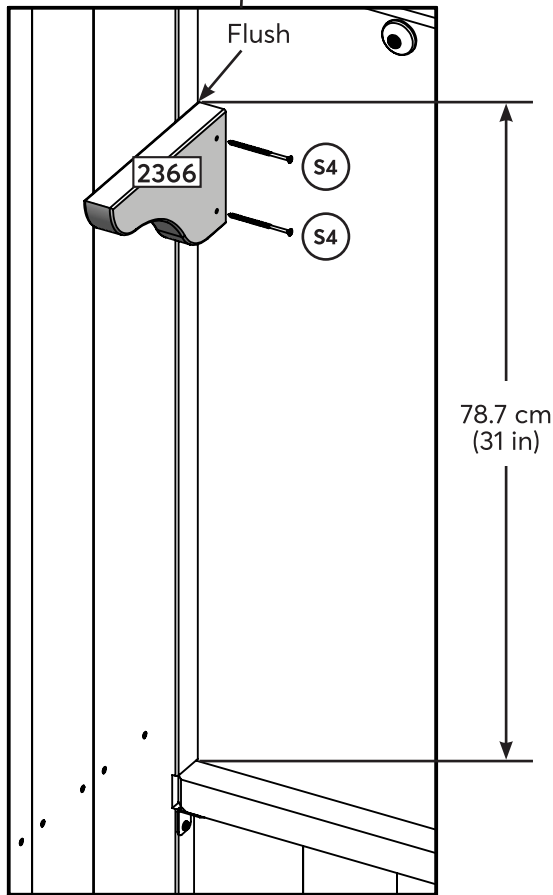
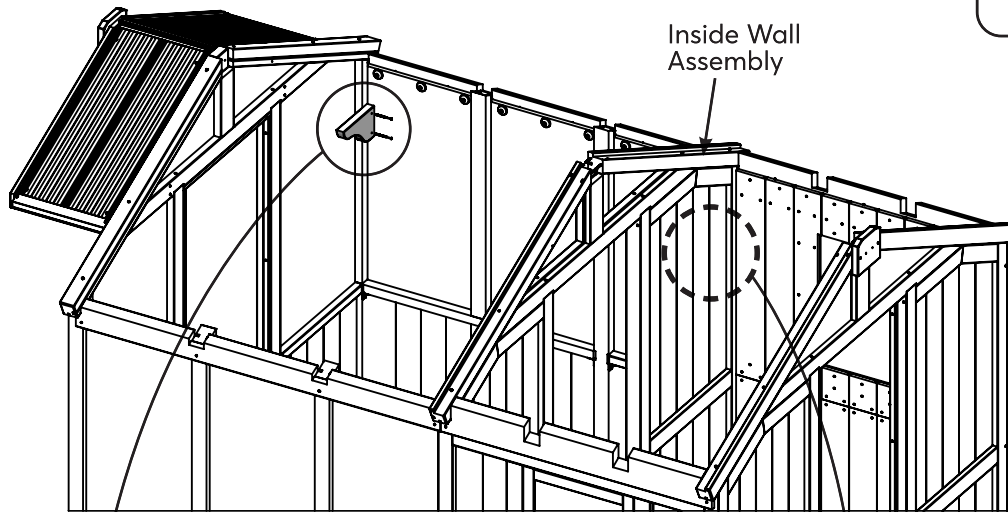
- Apply sealant in small beads and smooth as required.
- Clean excess with a cloth or paper towel before it skins over.
- Always wear safety glasses and rubber gloves when using product.

See page 6 for Warning and First Aid Information.





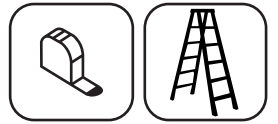
Roof removed for clarity



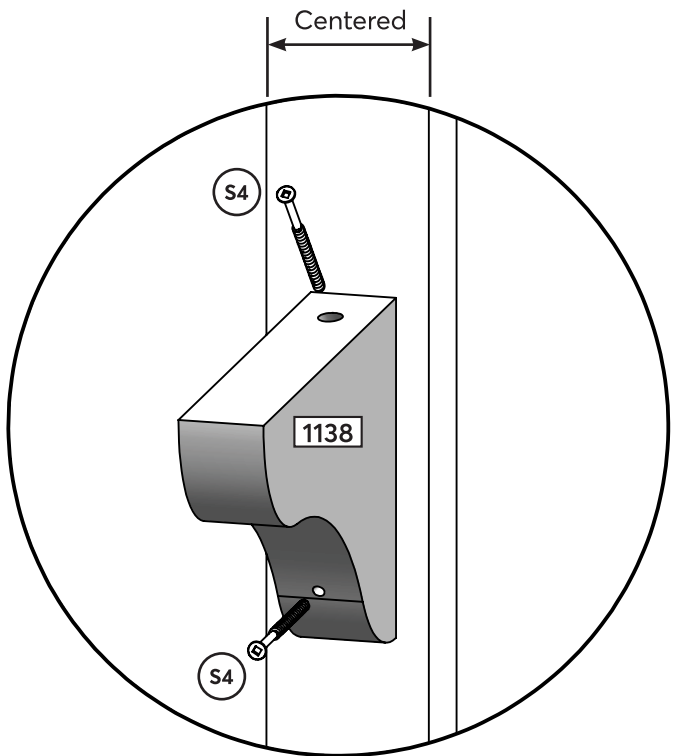
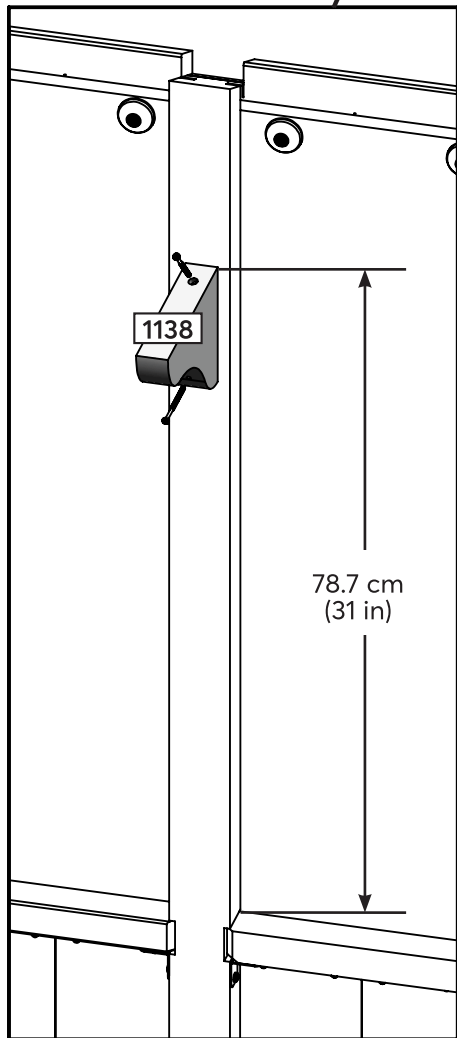
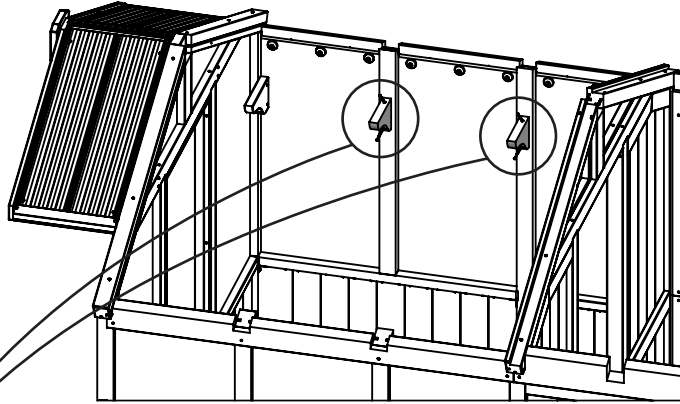
Rotated Inside View

Wood Parts
2 x 2366

Hardware
4 x S4

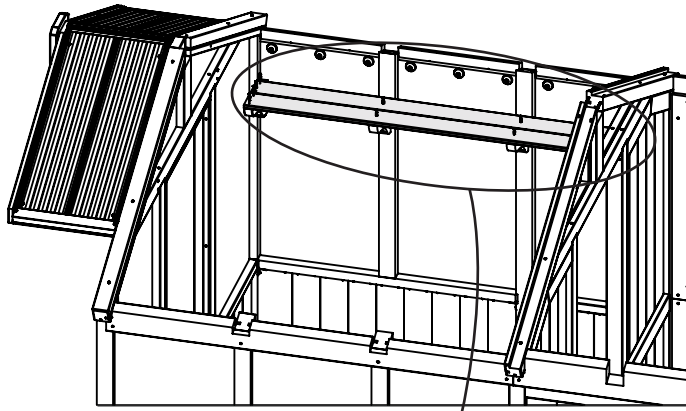


Roof removed
for clarity

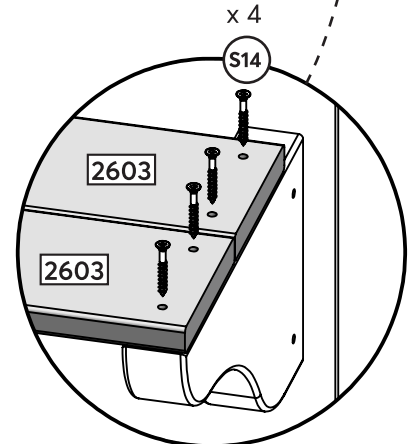
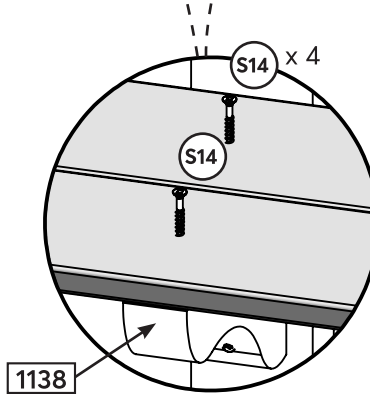
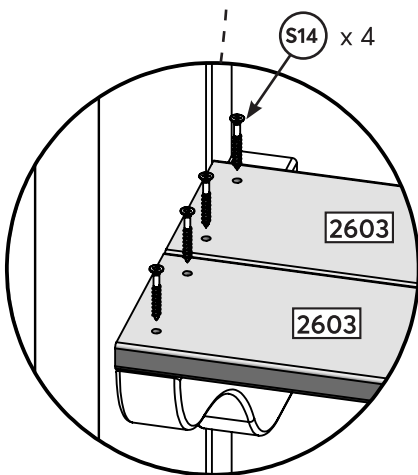
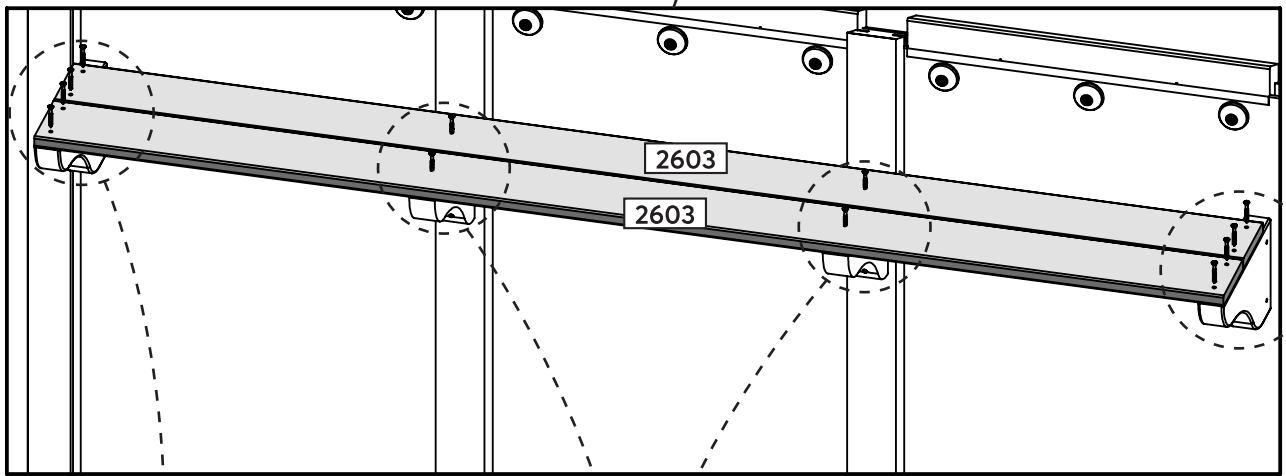


Wood Parts
2 x 1138

Hardware
4 x S4



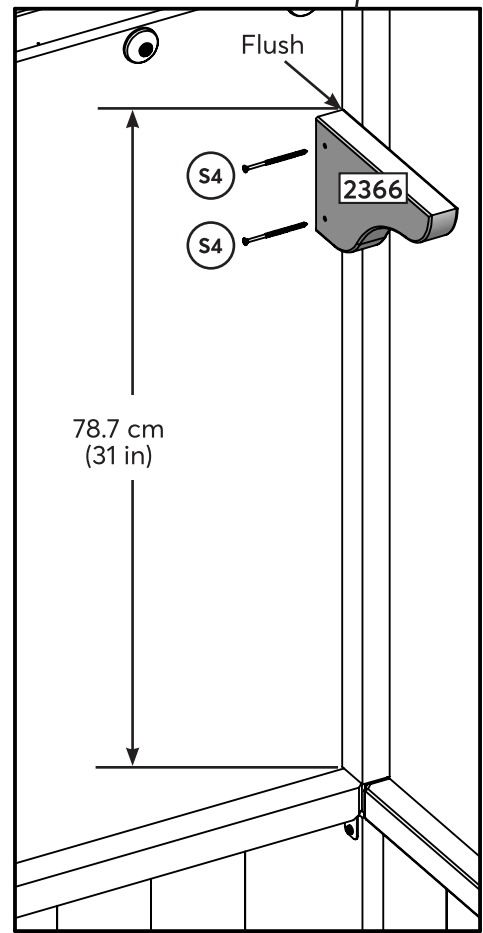
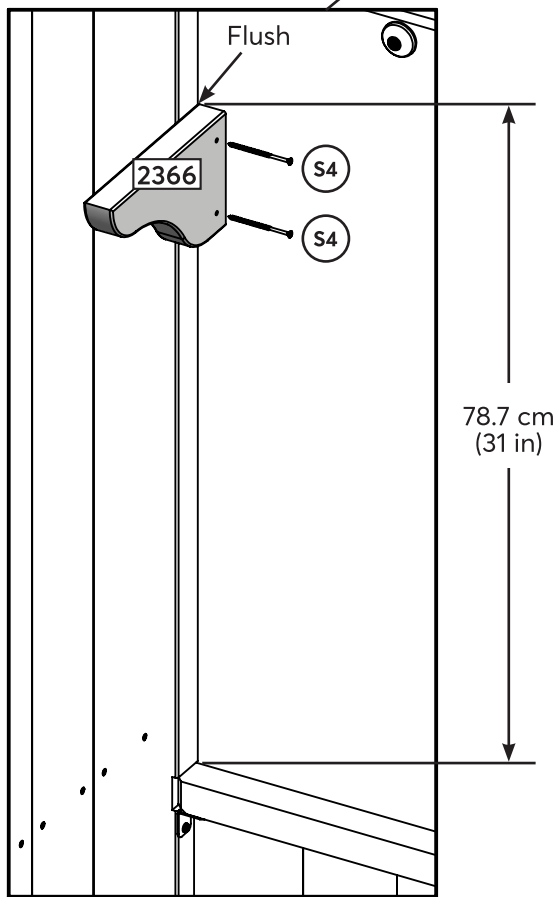
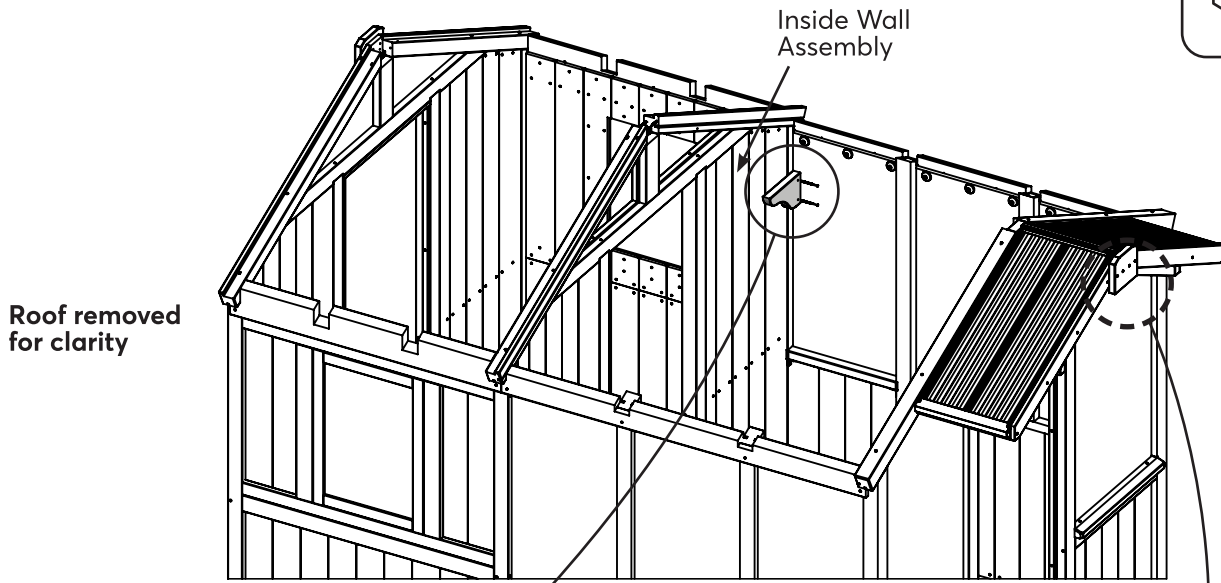
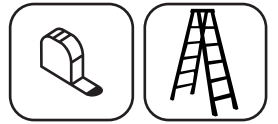
Roof removed for clarity



Screws are centered on (2603) and over (1138)

Wood Parts
2 x 2603

Hardware
12 x S14

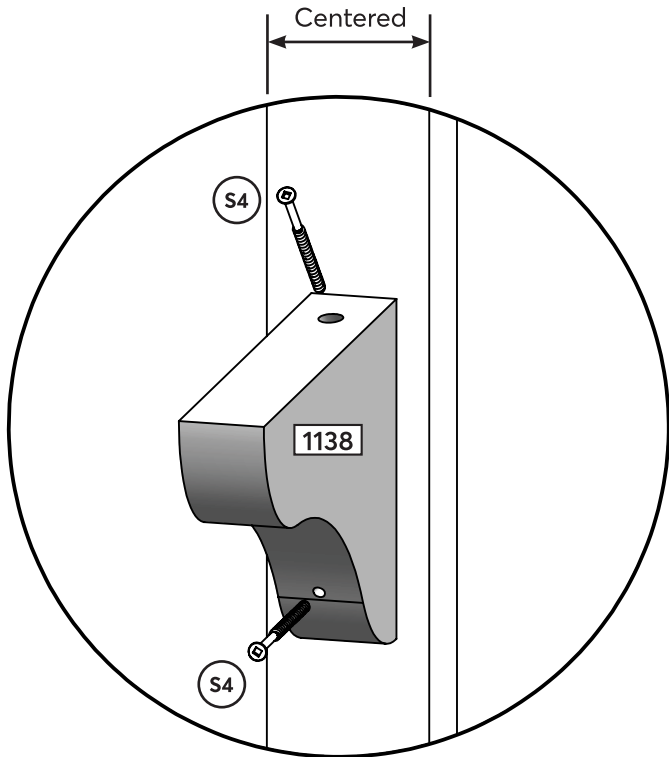
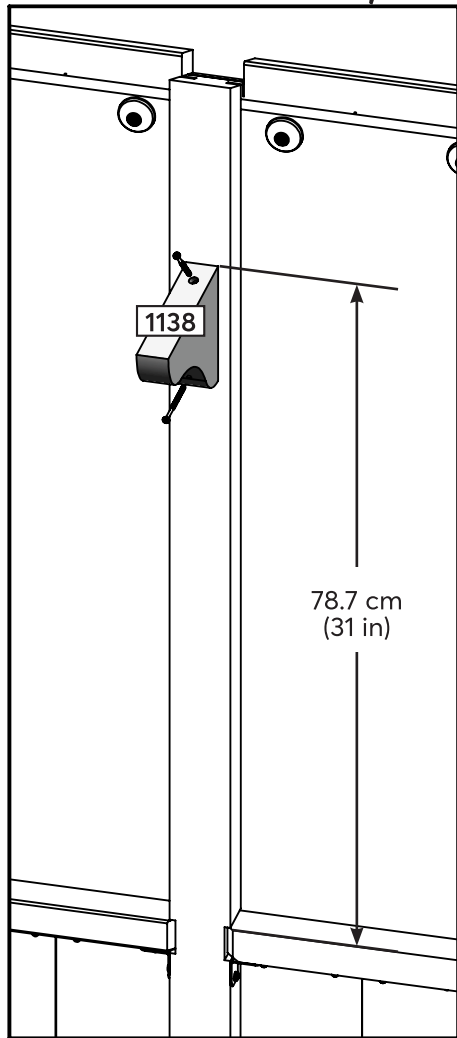
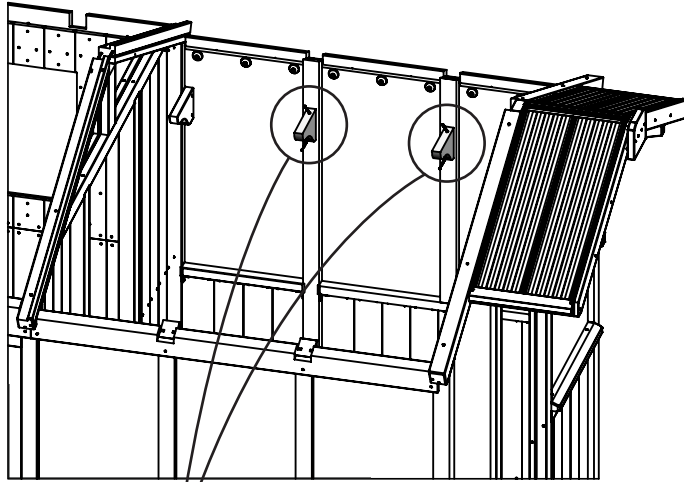


Wood Parts
2 x 2366

Hardware
4 x S4



Roof removed
for clarity

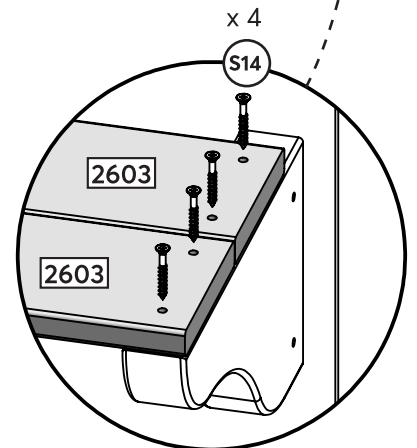
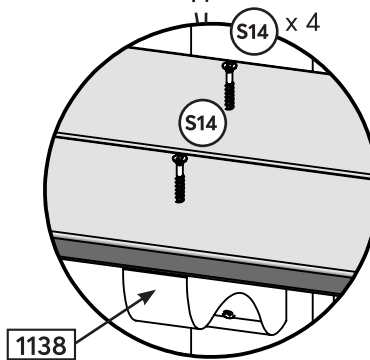
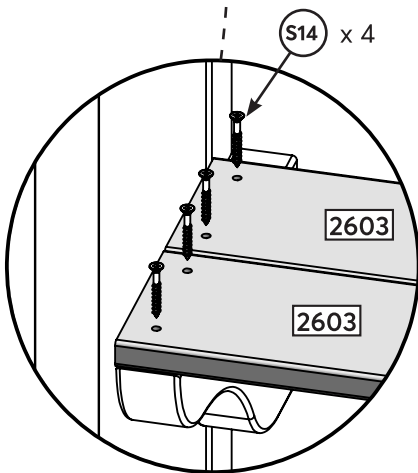
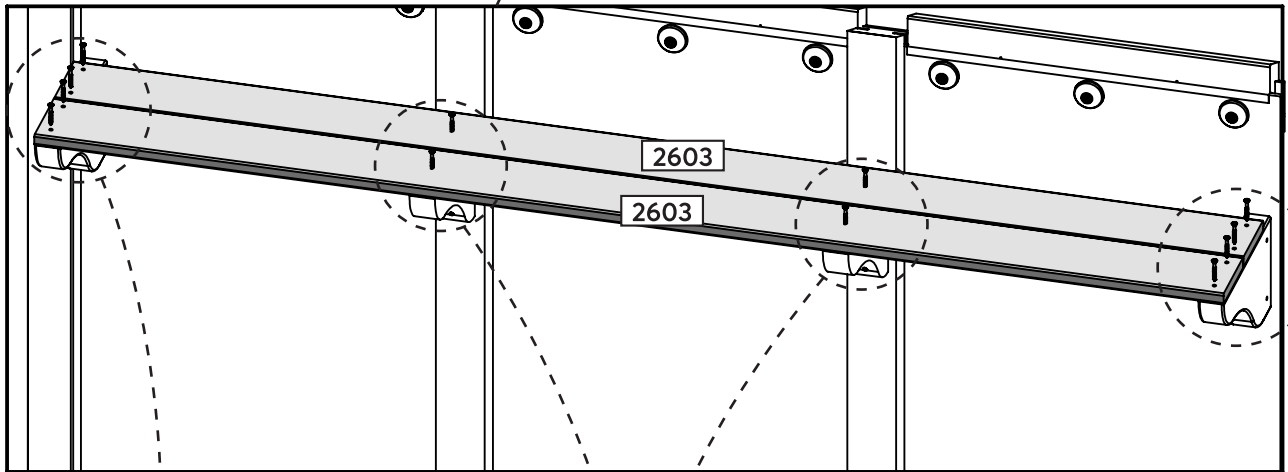
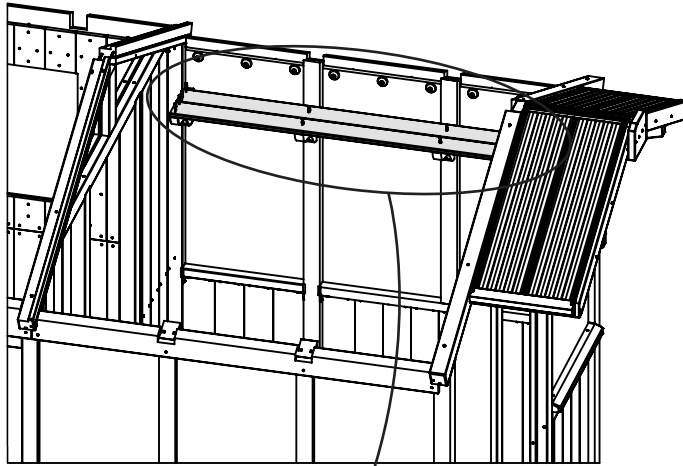


Wood Parts
2 x 1138

Hardware
4 x S4



Roof removed for clarity



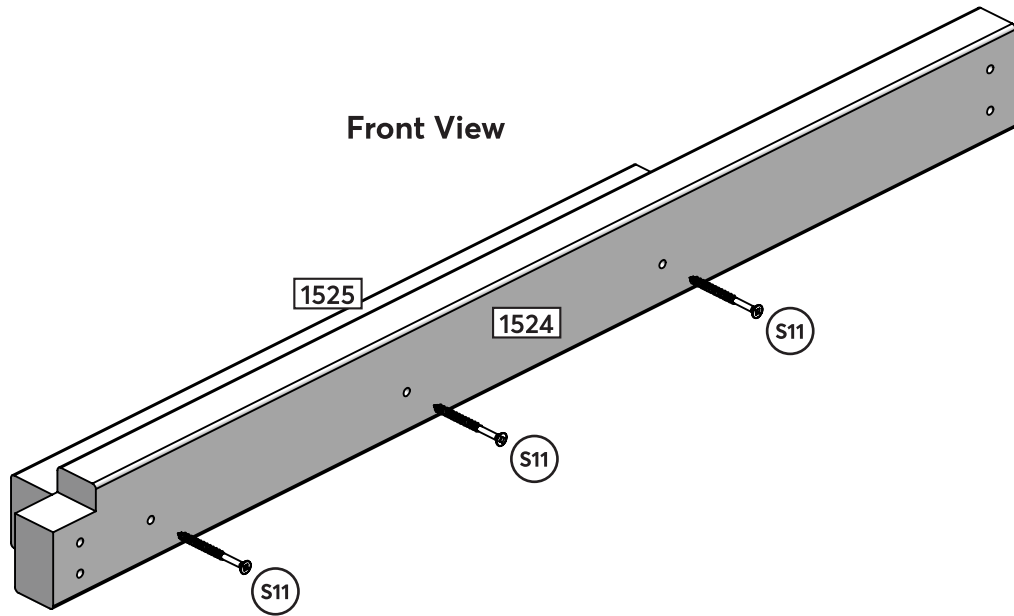
Screws are centered on (2603) and over (1138)

Wood Parts
2 x 2603

Hardware
12 x S14



Front View



1525

1524

S11

S11

S11

1.59 cm
(5/8 in)

1524

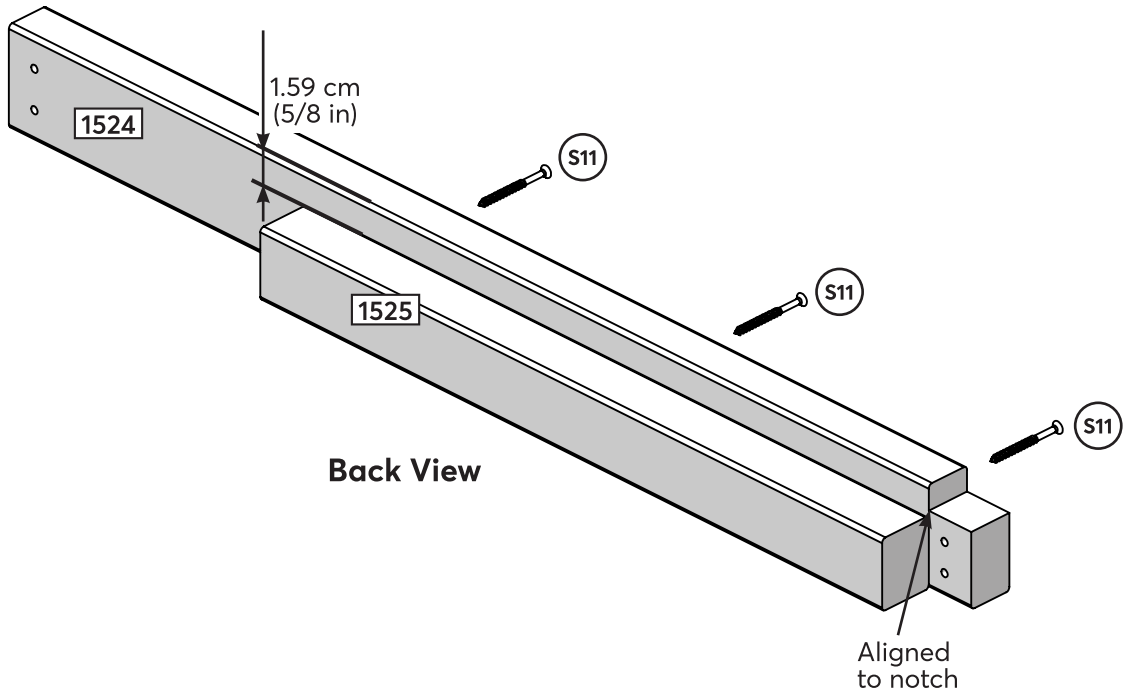
S11

1525

S11

S11

Back View



Aligned to notch

Wood Parts

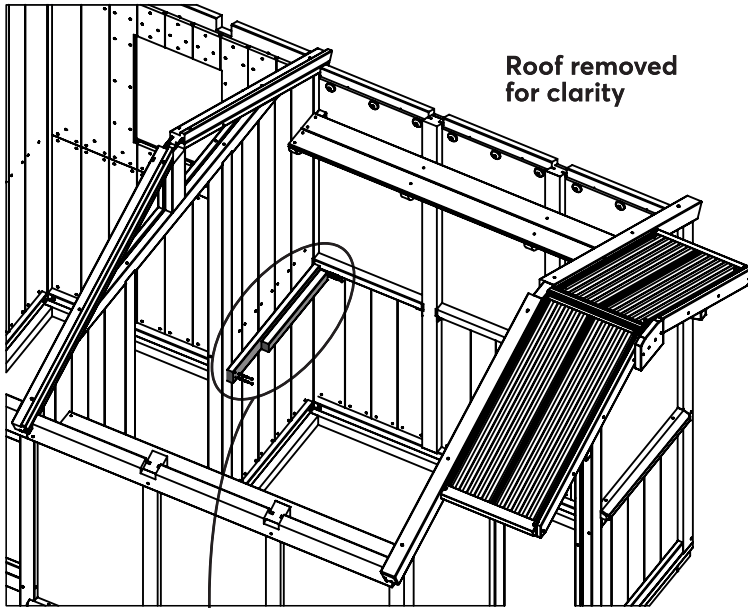
1 x 1524

1 x 1525

Hardware

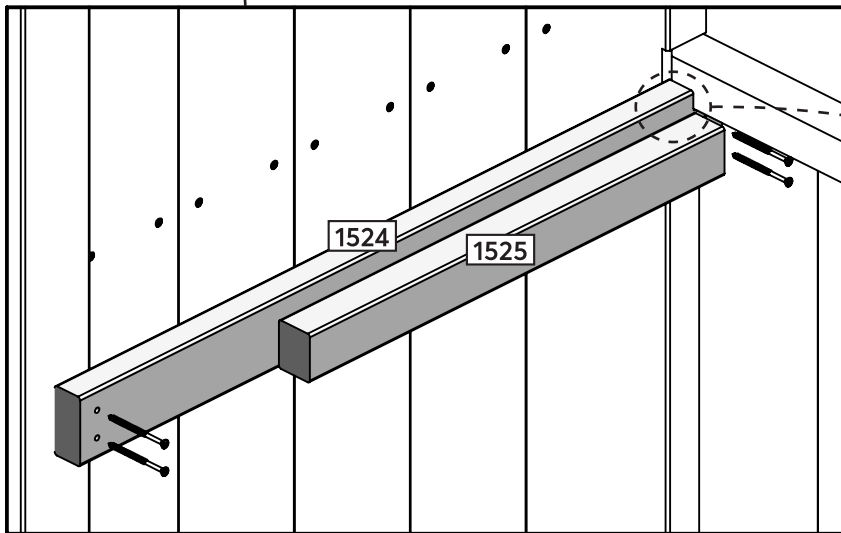
3 x S11

107

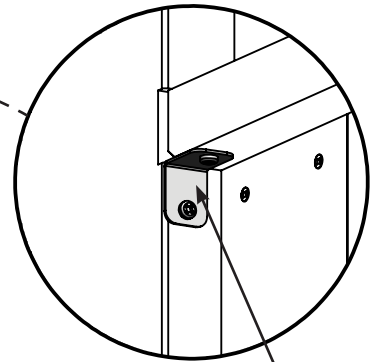


Roof removed for clarity

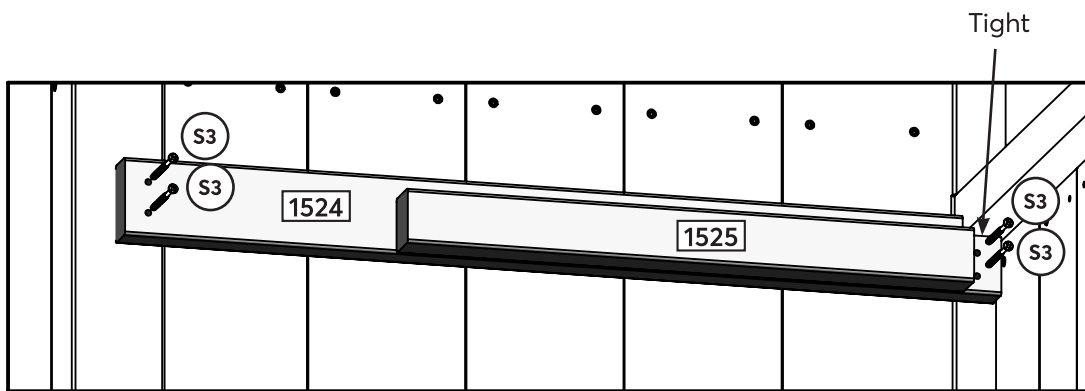
Make sure 1524 is level



Underneath View



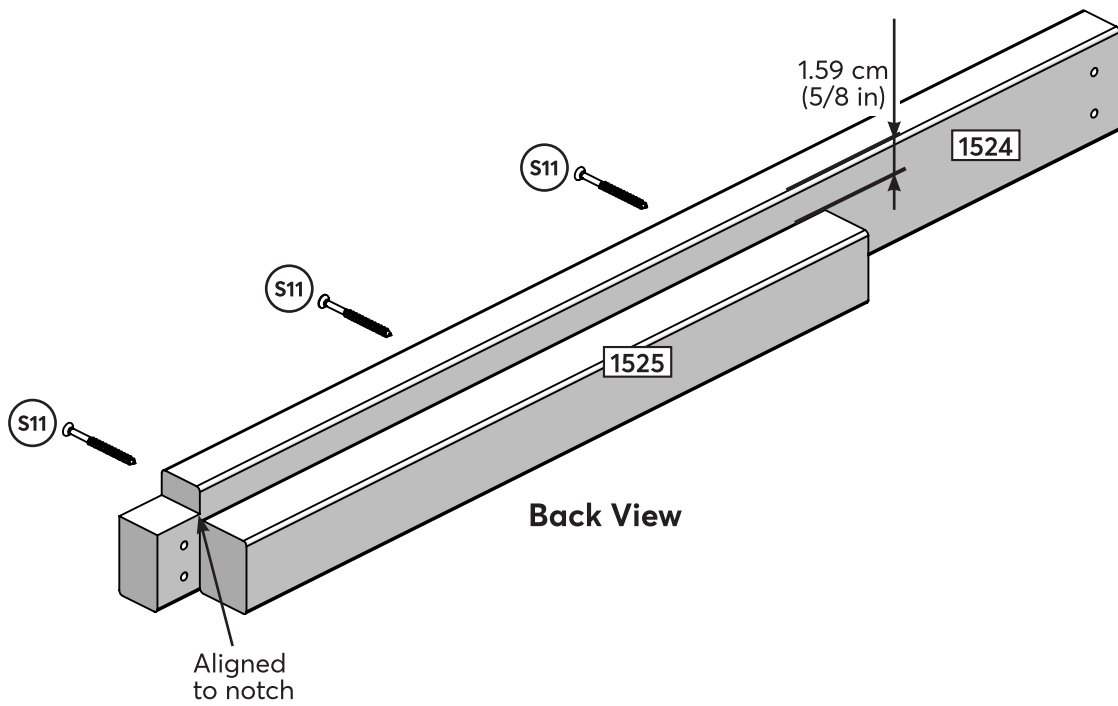
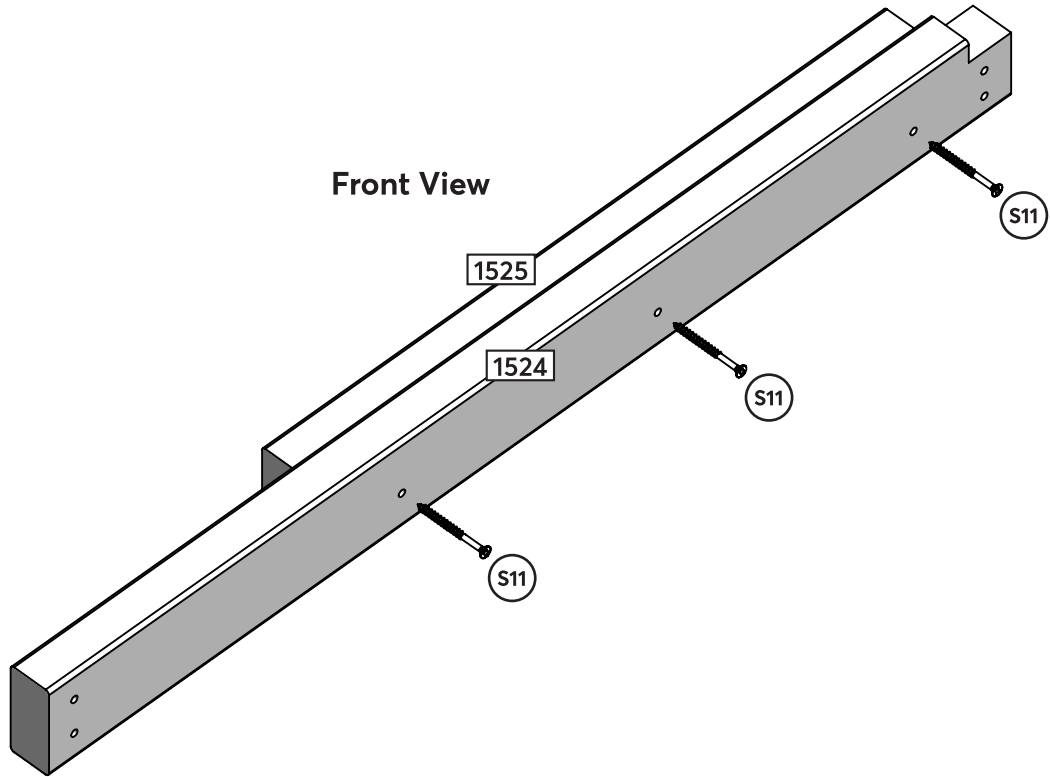
Remove this corner bracket



Underneath View

Hardware

4 x S3



Wood Parts

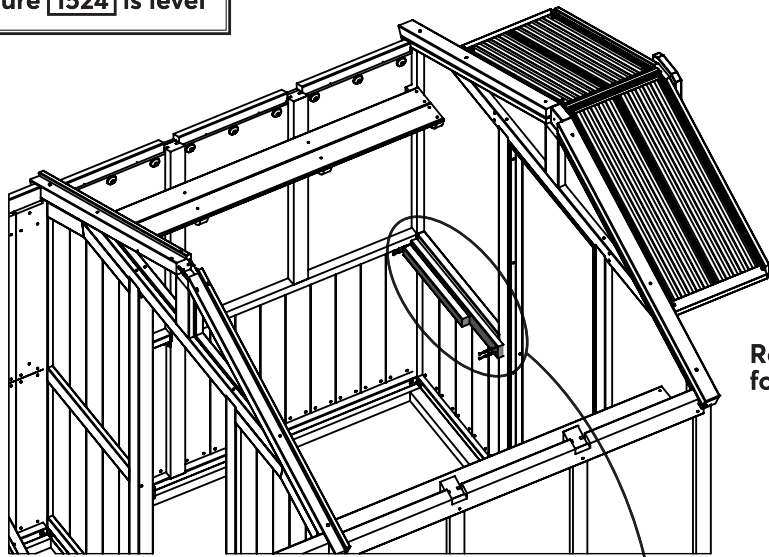
1 x 1524

1 x 1525

Hardware

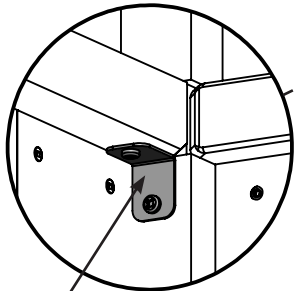
3 x S11

Make sure 1524 is level

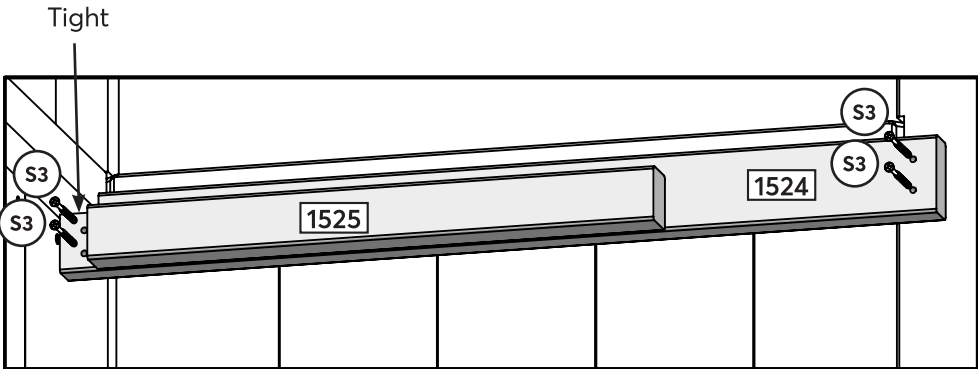
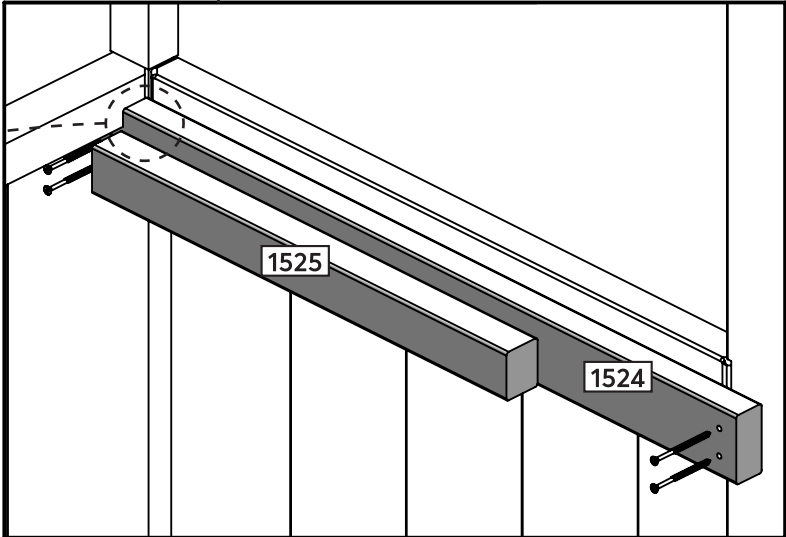


Roof removed for clarity

Underneath View



Remove this corner bracket



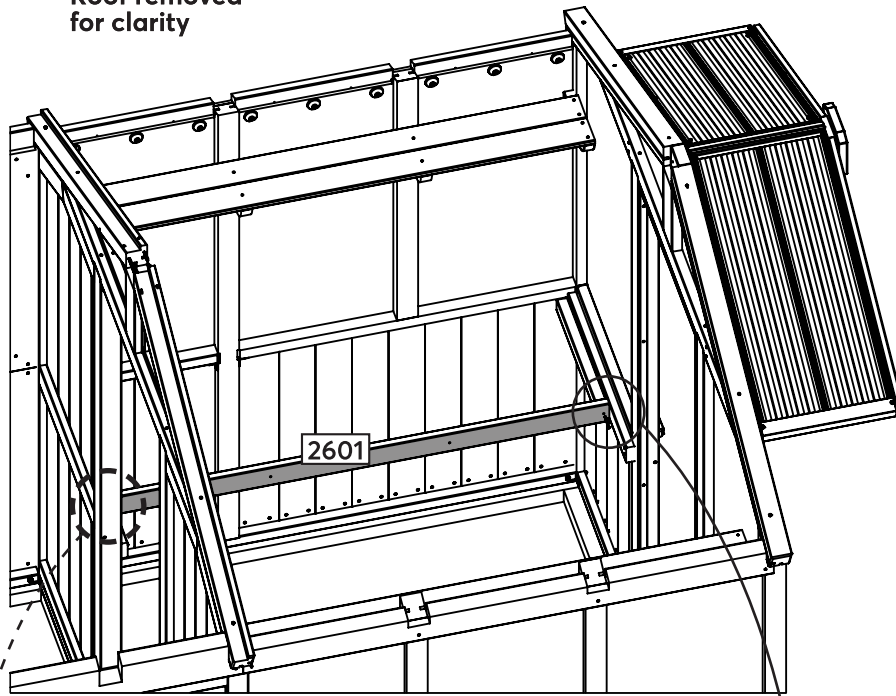
Underneath View

Hardware

4 x S3

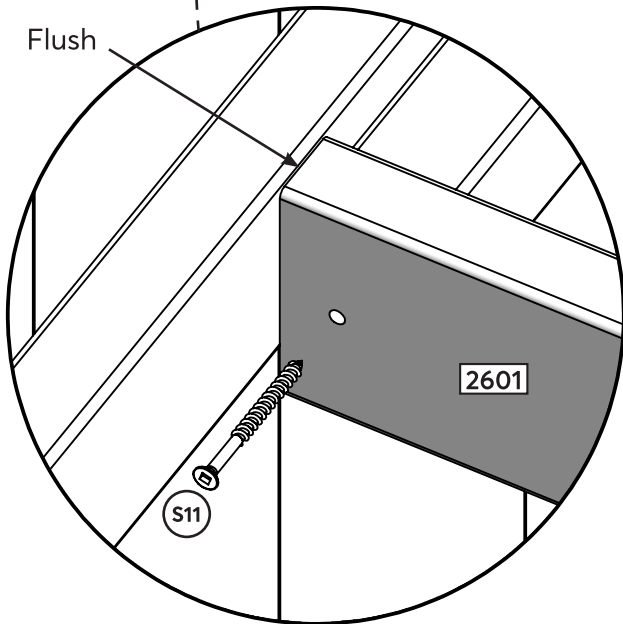


Roof removed
for clarity

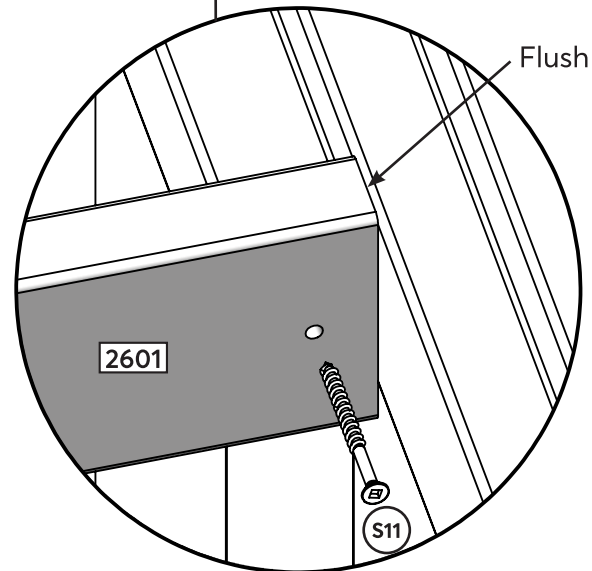


Rotated View

Flush



Flush

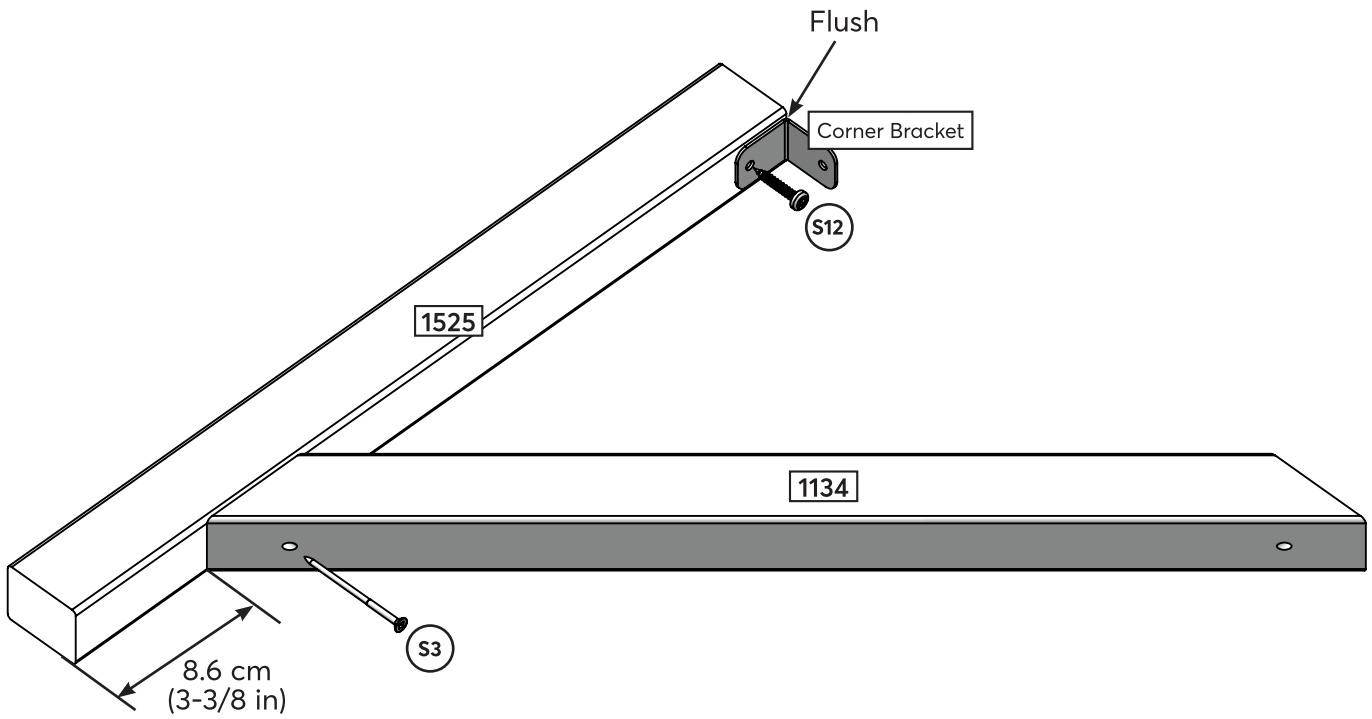


Wood Parts

1 x 2601

Hardware

2 x S11



Wood Parts

1 x 1134

1 x 1525

Hardware

1 x S3

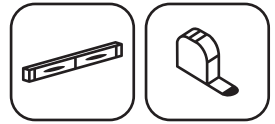
1 x S12 (Yellow)

Components

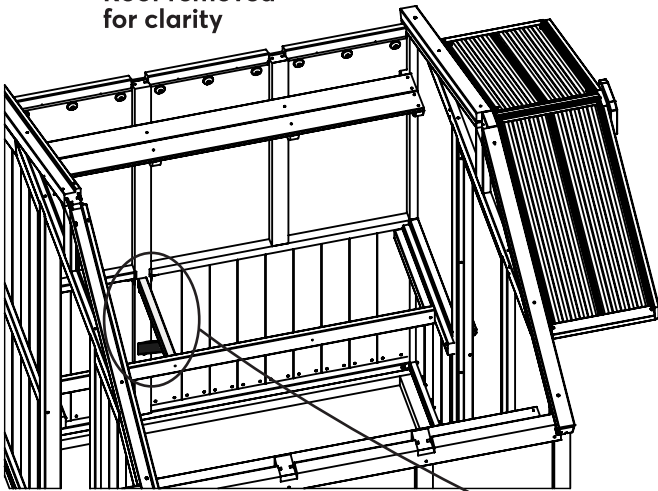
1 x Corner Bracket

112

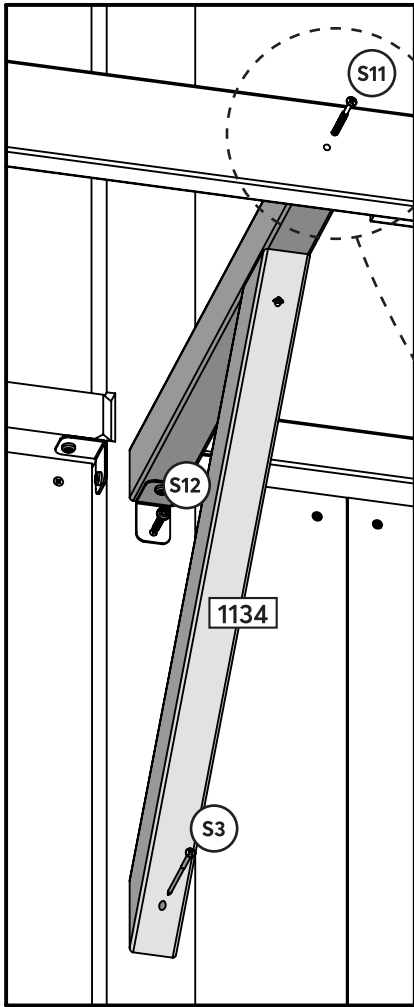
Roof removed for clarity



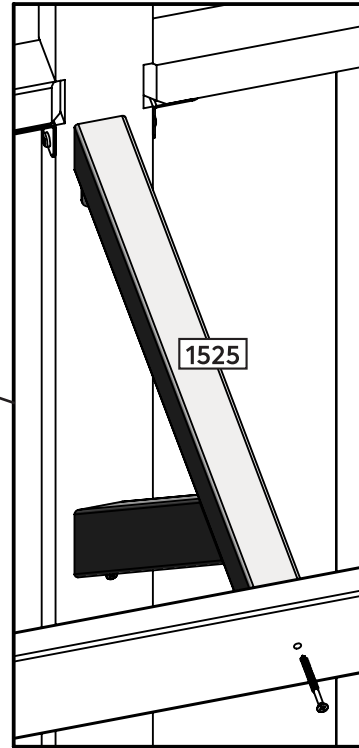
Make sure the assembly is level



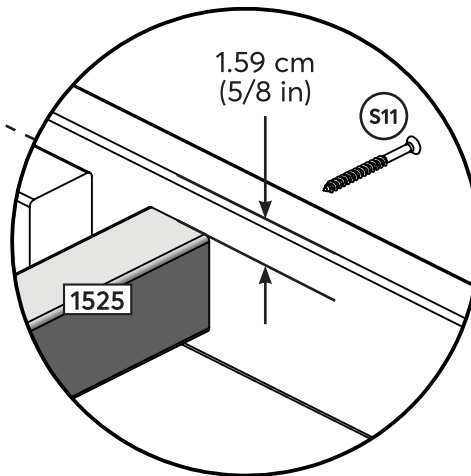
Underneath View



Centered



Rotated View



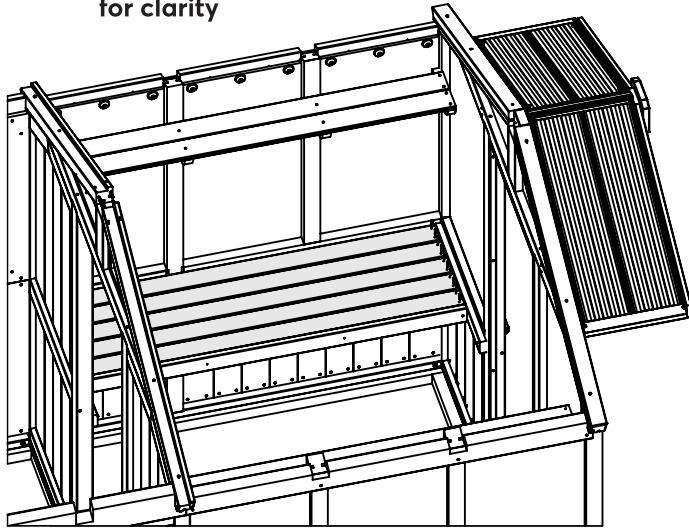
Hardware

1 x S3

1 x S11

1 x S12 (Yellow)

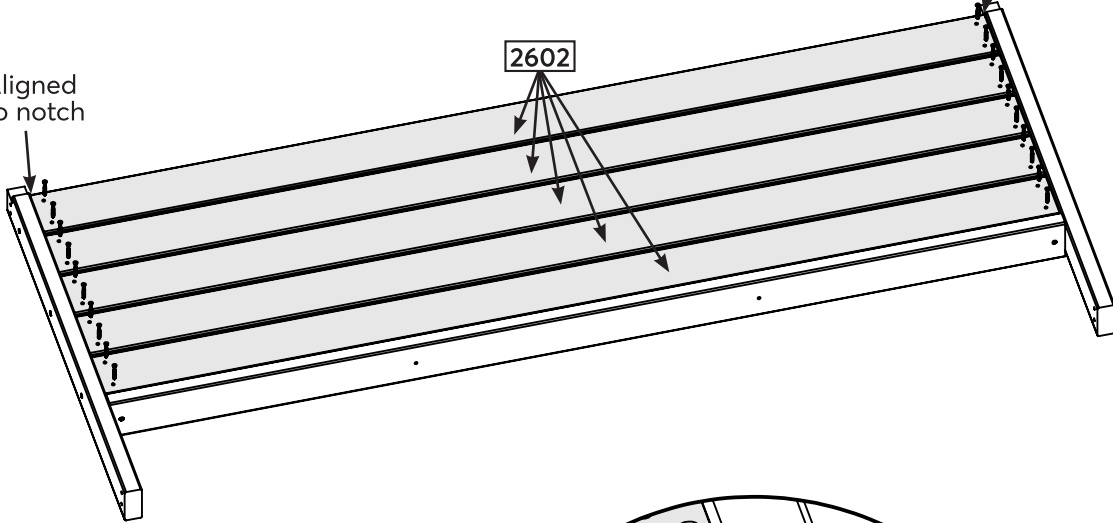
Roof removed
for clarity



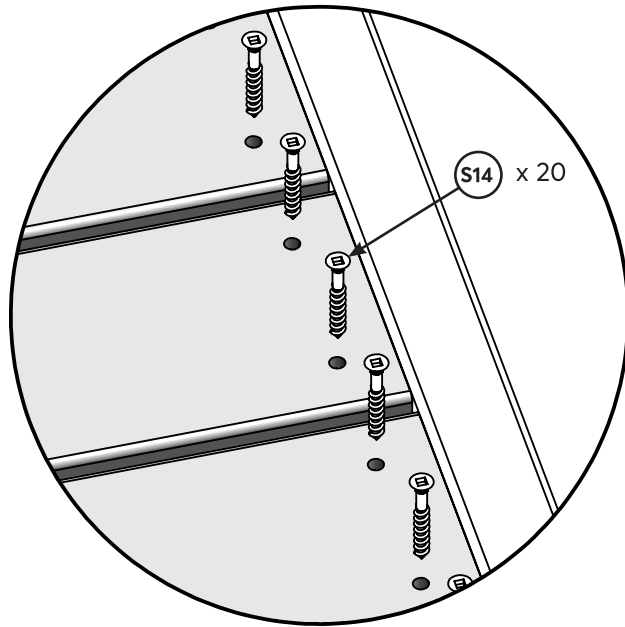
Aligned
to notch

2602

Aligned
to notch

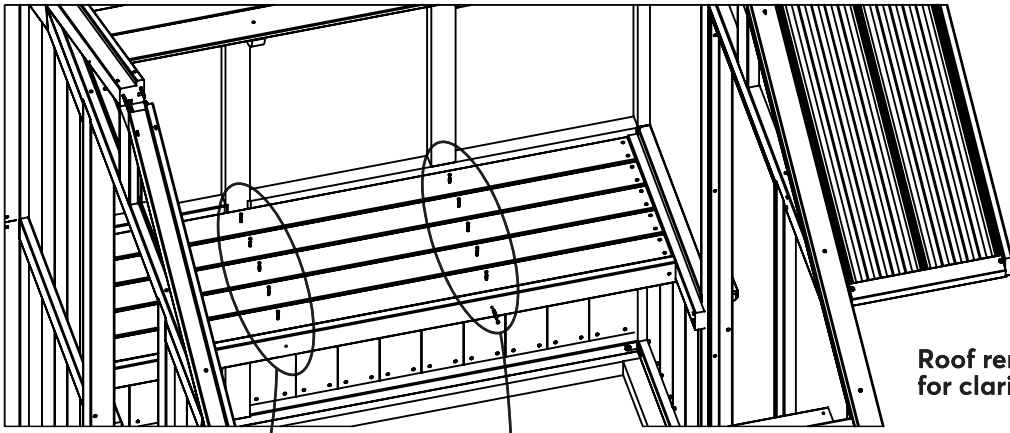


Evenly space the boards



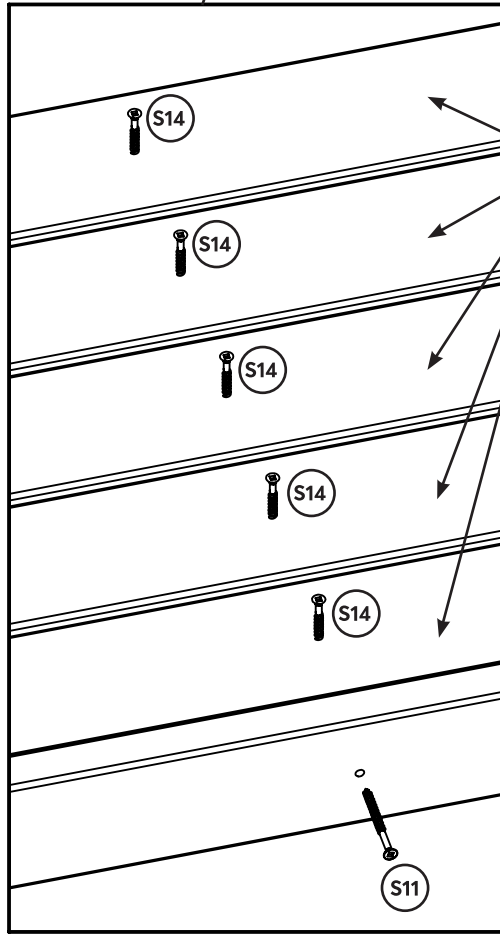
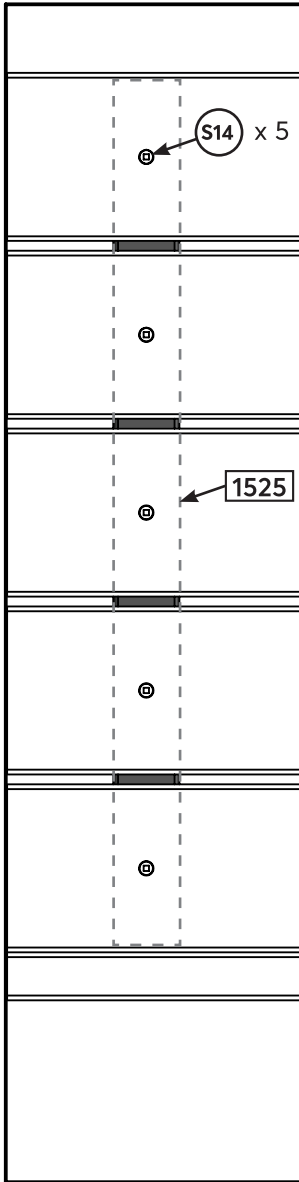
Wood Parts
5 x 2602

Hardware
20 x S14



Roof removed for clarity

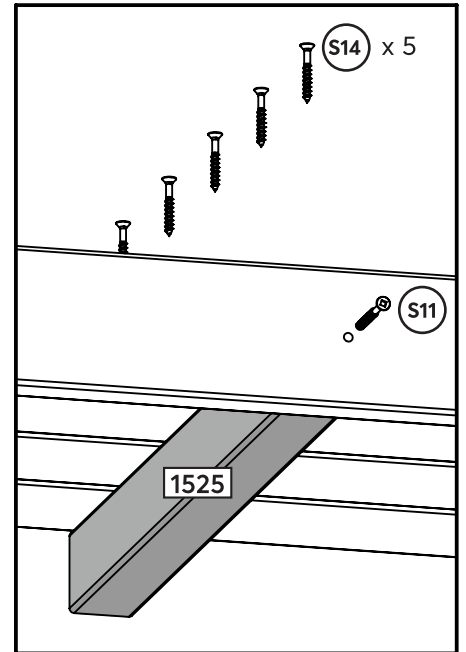
Top View



Screws (S14) are centered on Shelf Top and attach to (1525)

Shelf Top

Underneath View



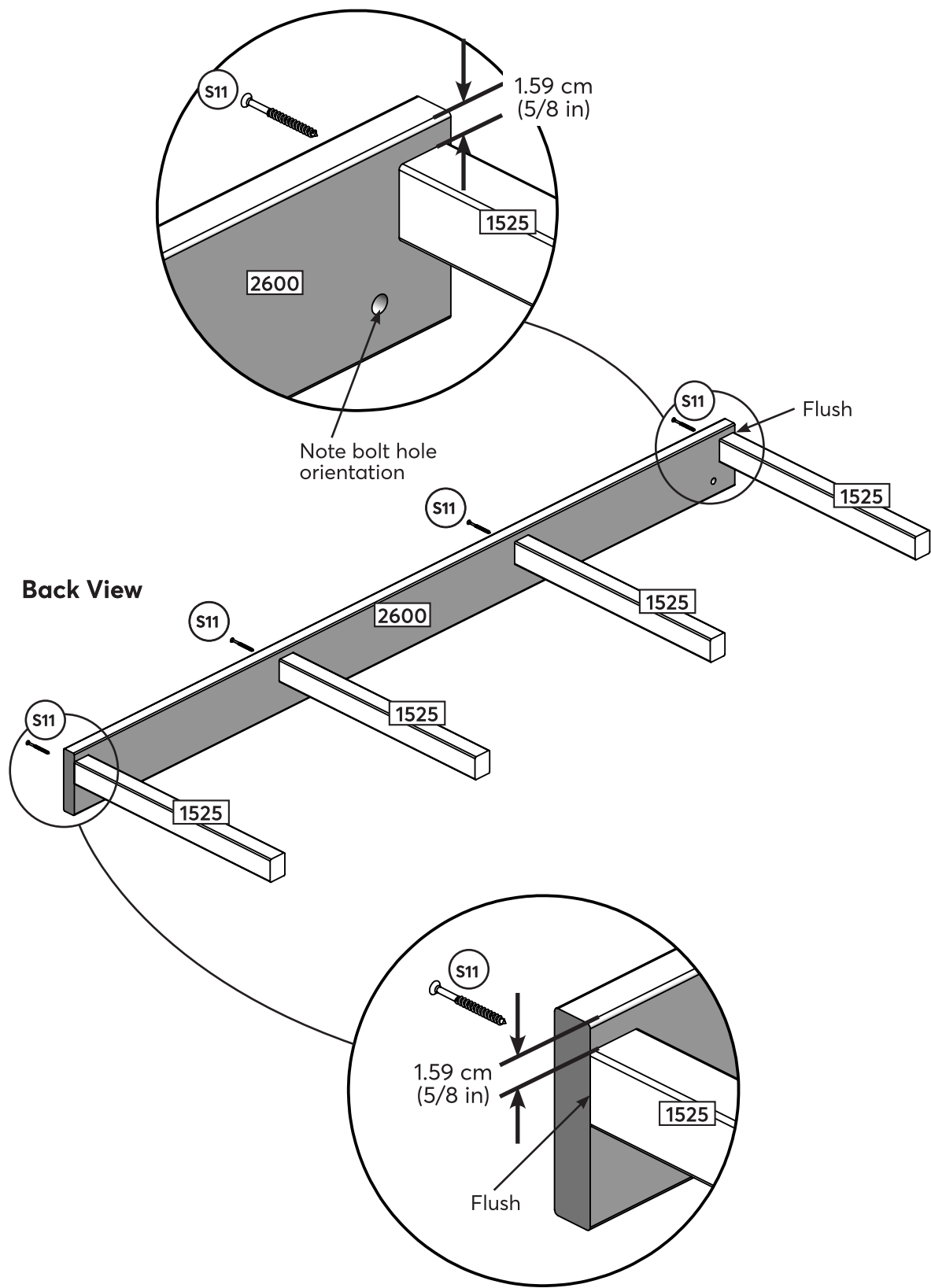
Wood Parts

1 x 1525

Hardware

1 x (S11)

10 x (S14)

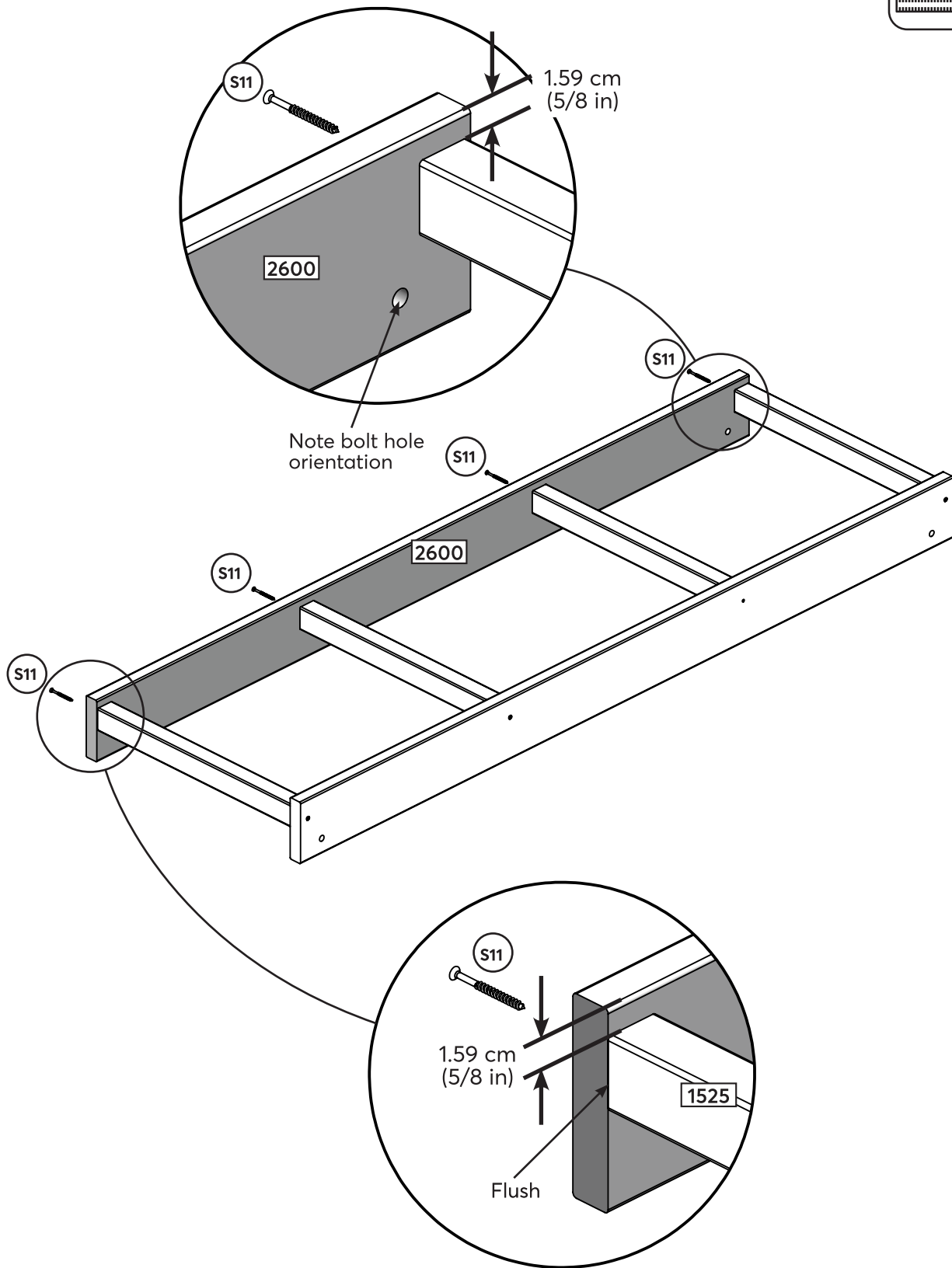
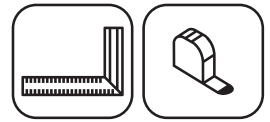


Wood Parts

- 1 x 2600
- 4 x 1525

Hardware

- 4 x S11



Wood Parts

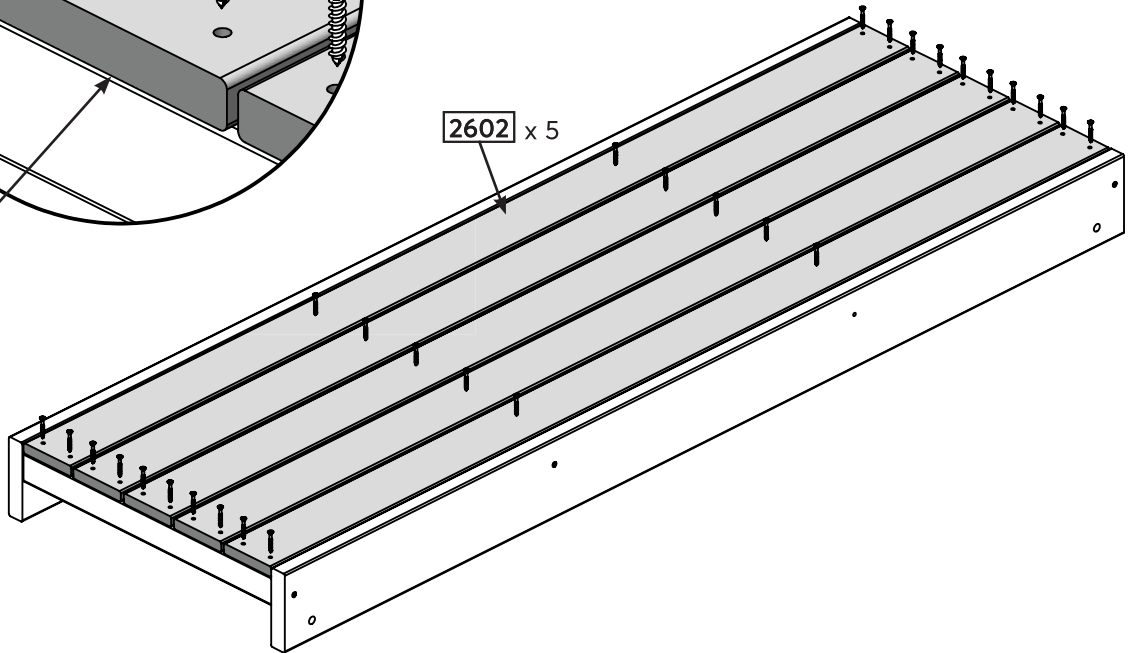
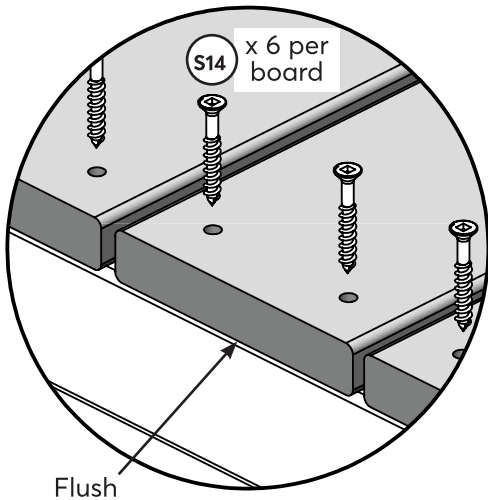
1 x 2600

Hardware

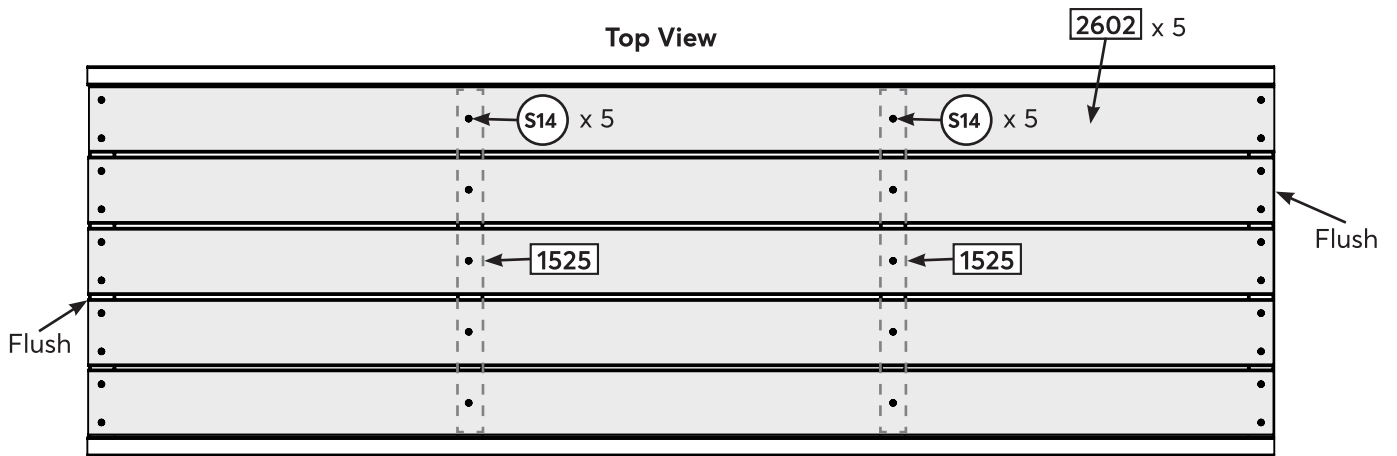
4 x S11

117

Evenly space the boards



Top View



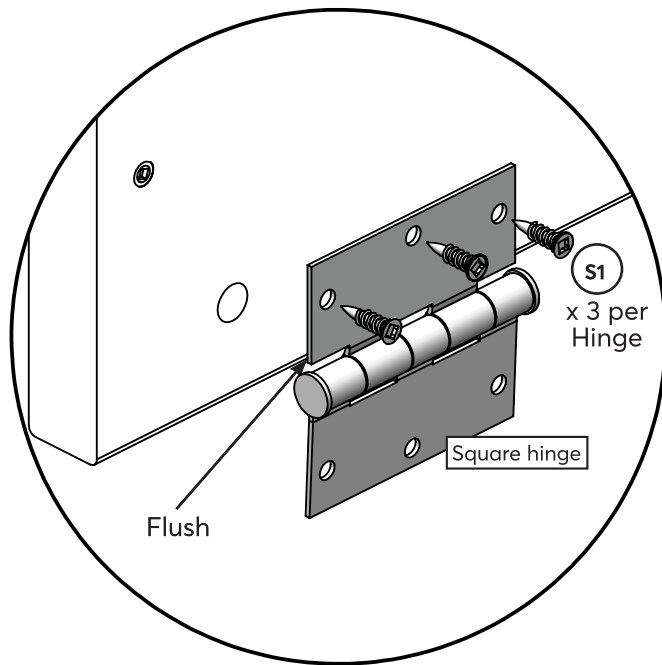
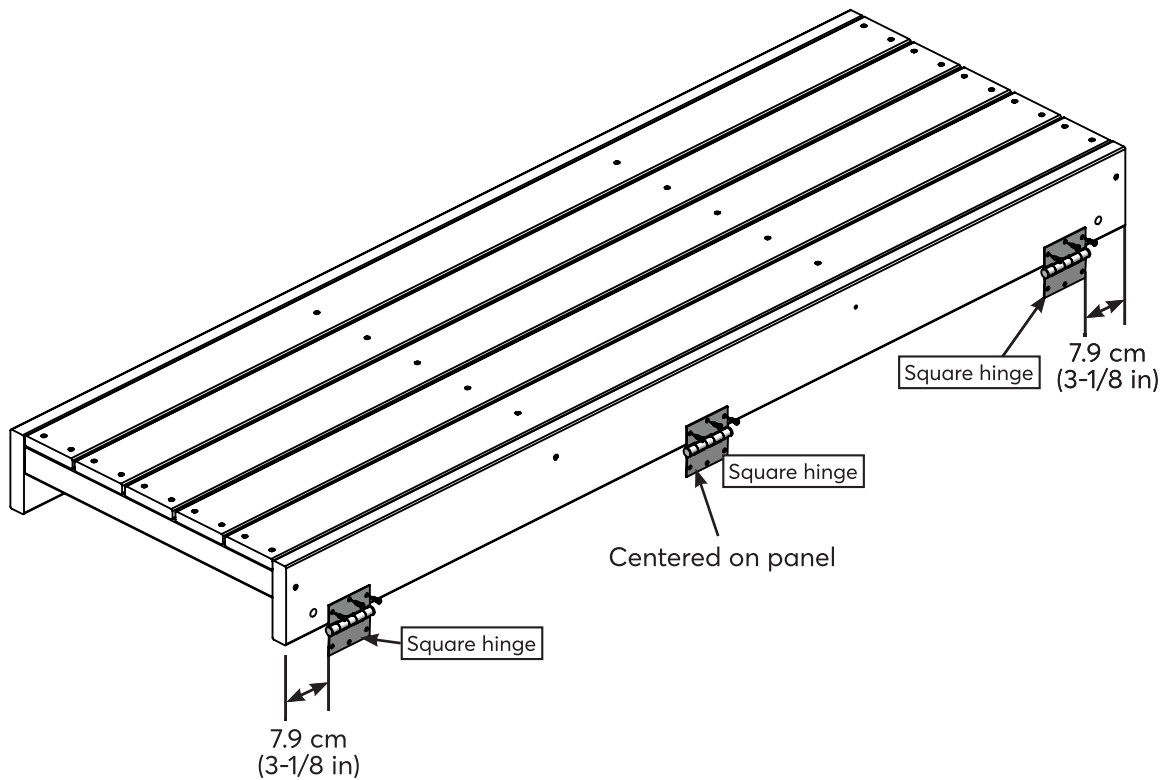
Screws (S14) are centered on Shelf Top (2602) and attach to (1525)

Wood Parts

5 x 2602

Hardware

30 x (S14)

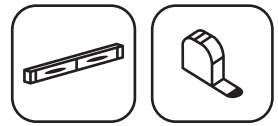


Hardware

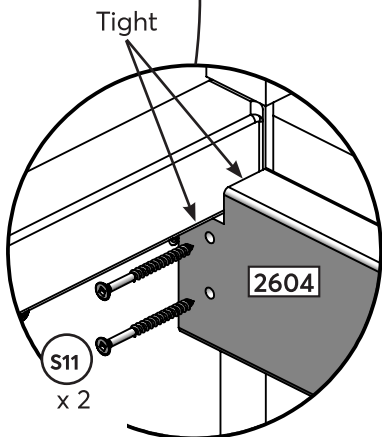
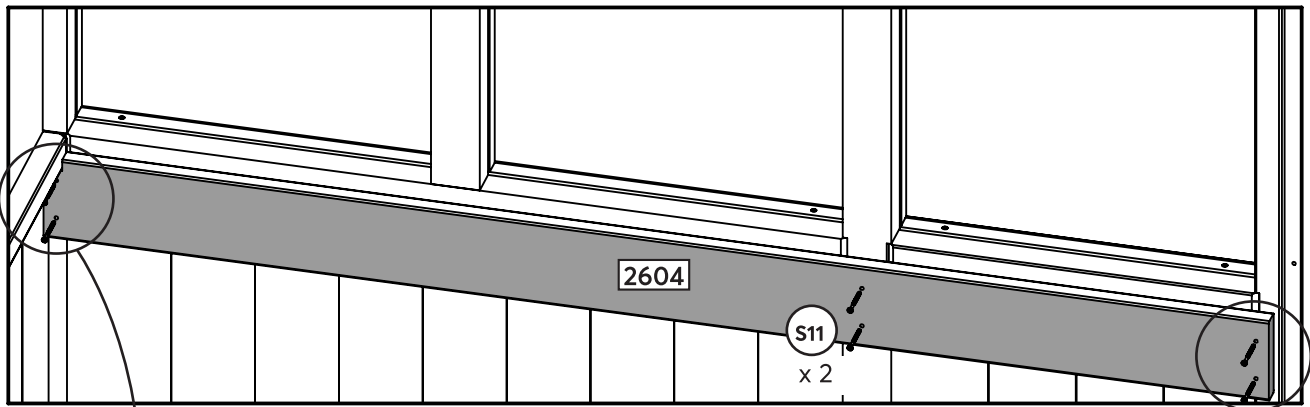
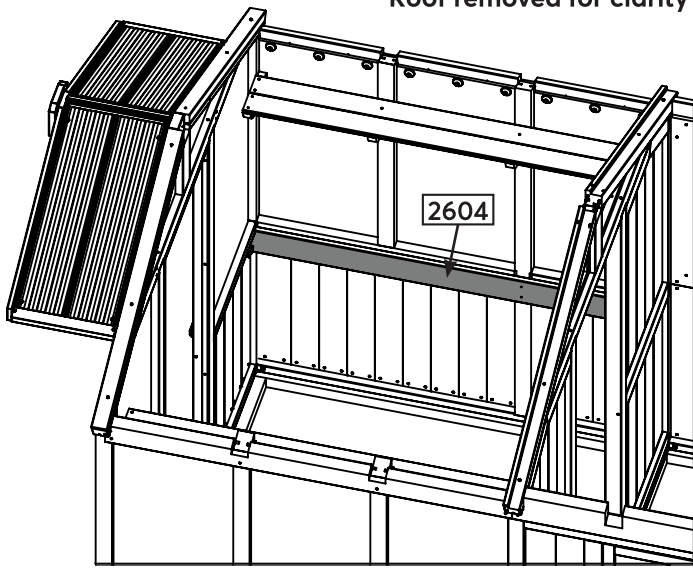
9 x S1

Components

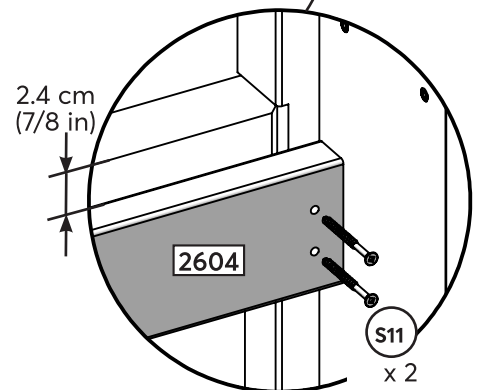
3 x Square Hinge



Roof removed for clarity



Rotated View



Rotated View

Wood Parts

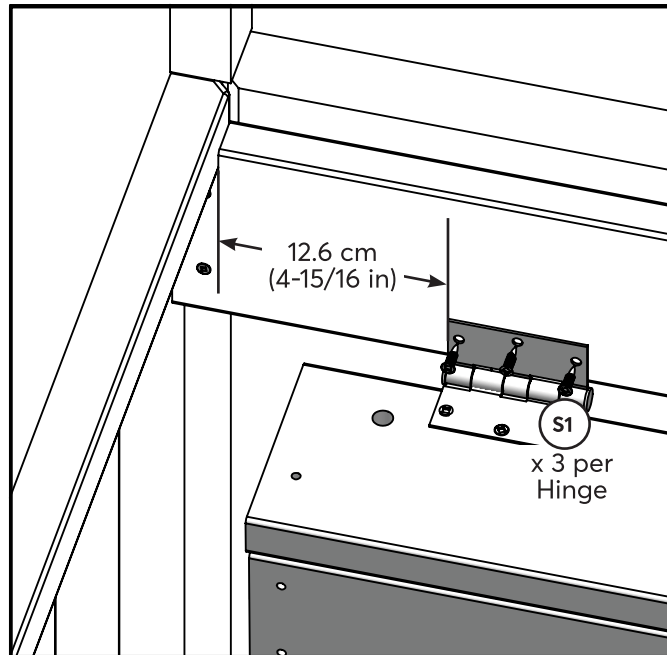
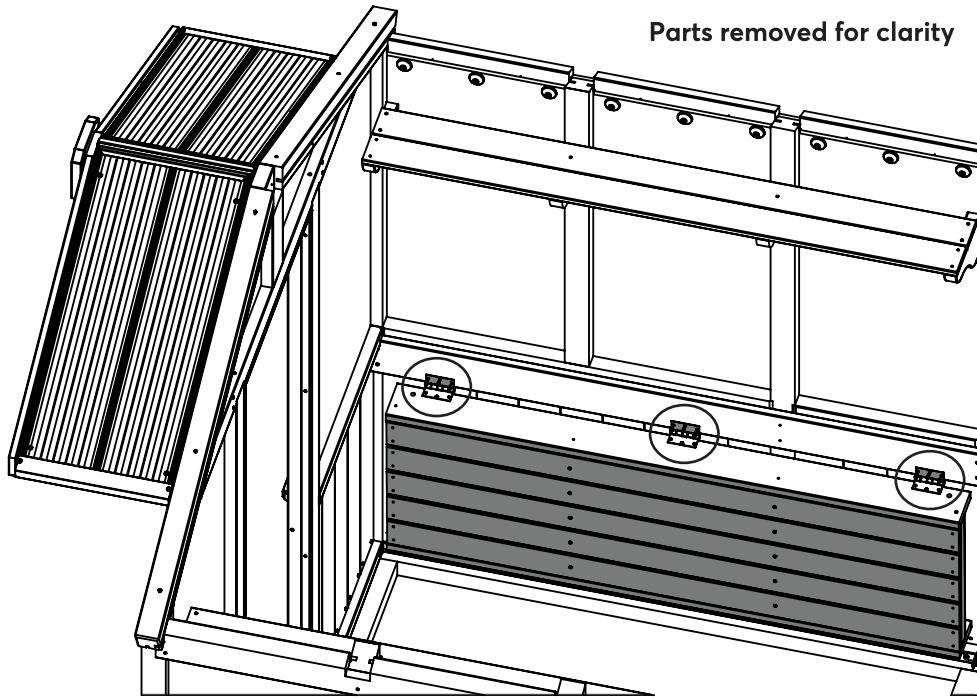
1 x 2604

Hardware

6 x S11

120

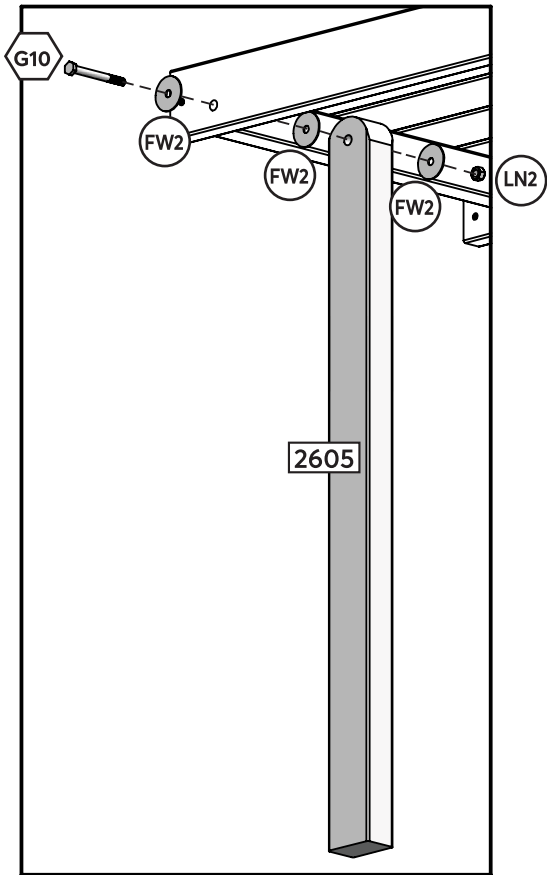
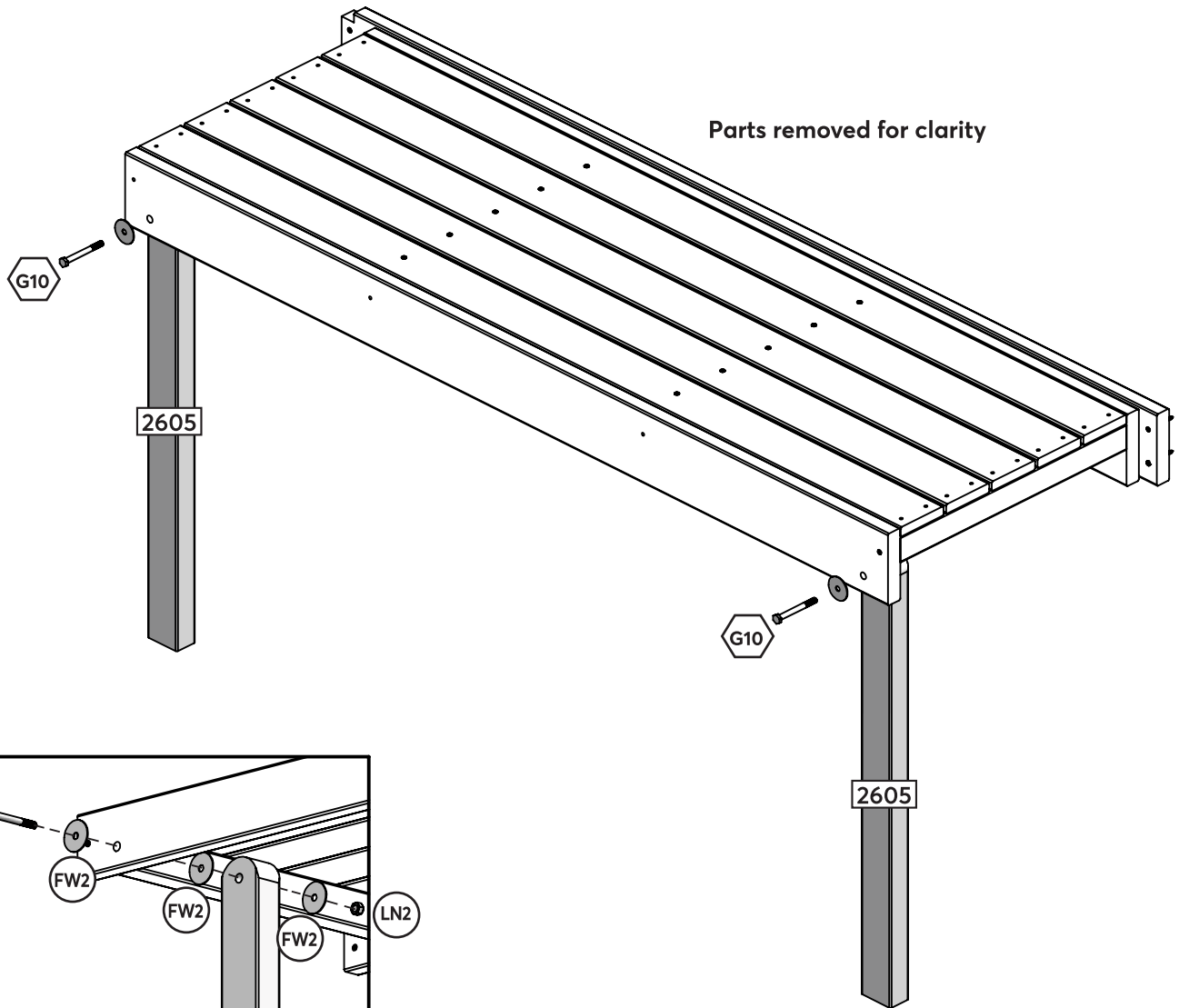
When not in use shelf can be folded up and back against the wall and will slide down out of the way



Hardware

9 x 

121



Wood Parts

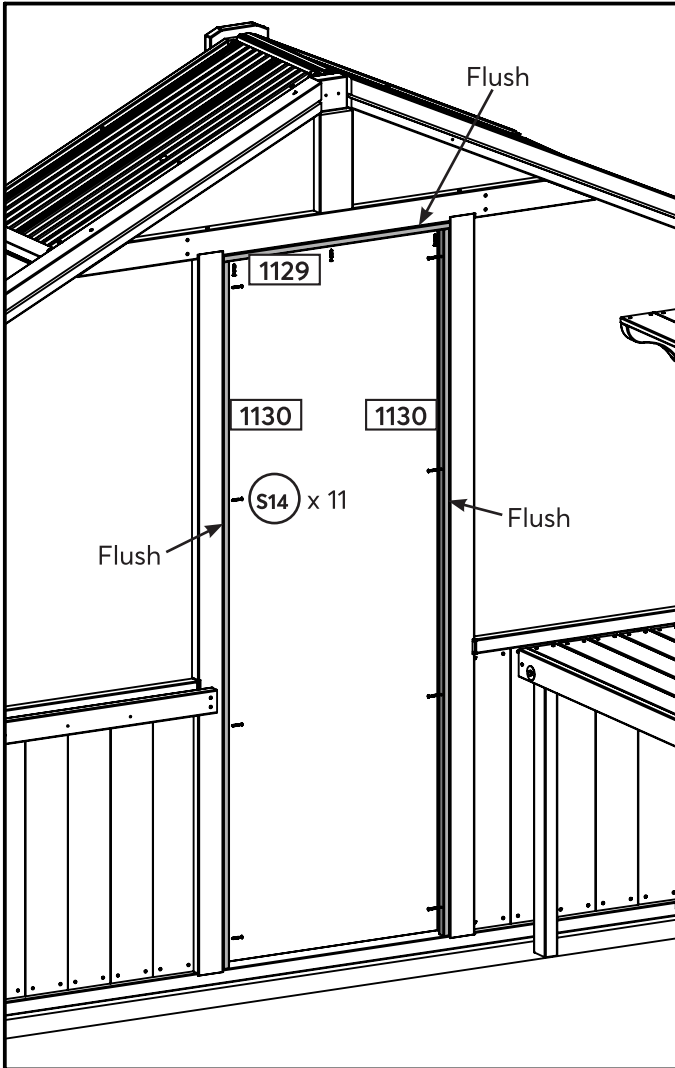
2 x 2605

Hardware

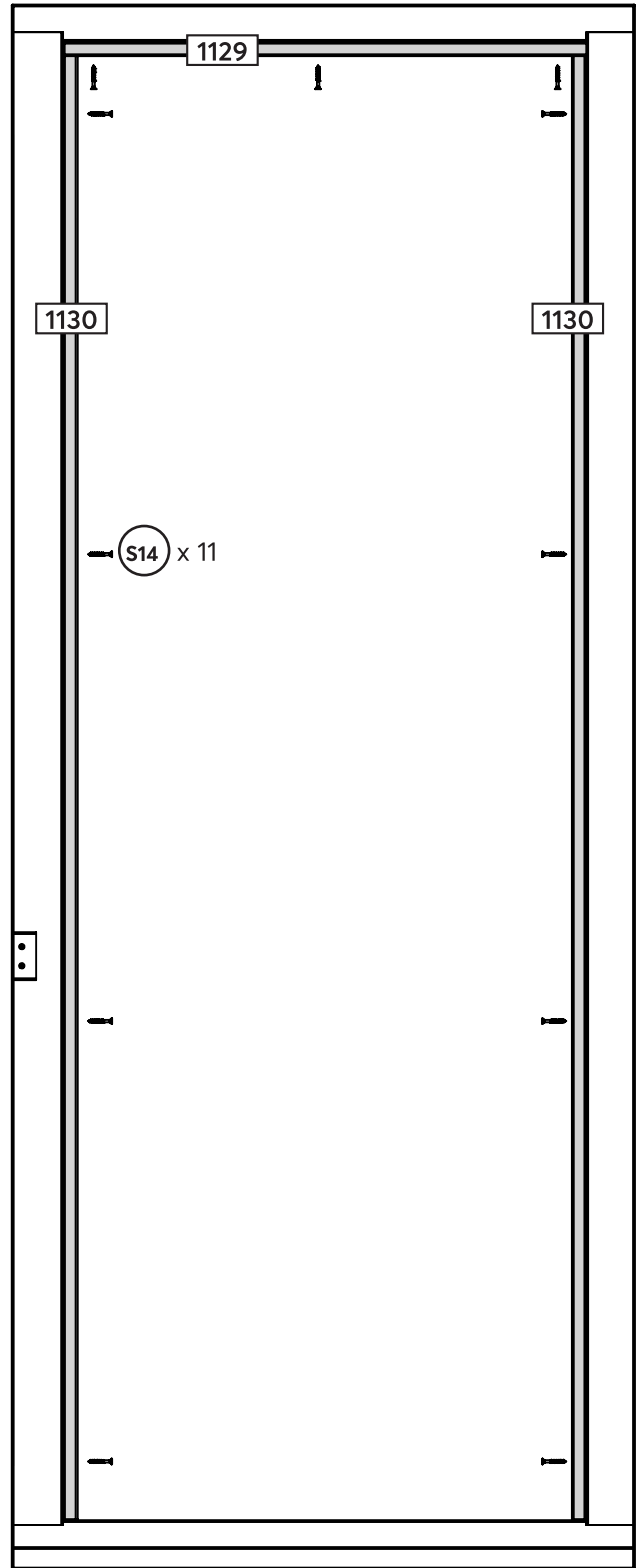
2 x G10 (FW2 x 3, LN2)

Roof removed for clarity

Inside View



Inside and Front View



Wood Parts

- 2 x 1130
- 1 x 1129

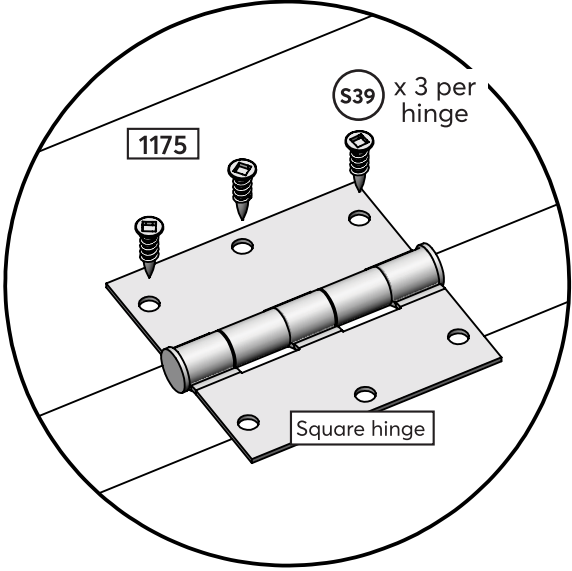
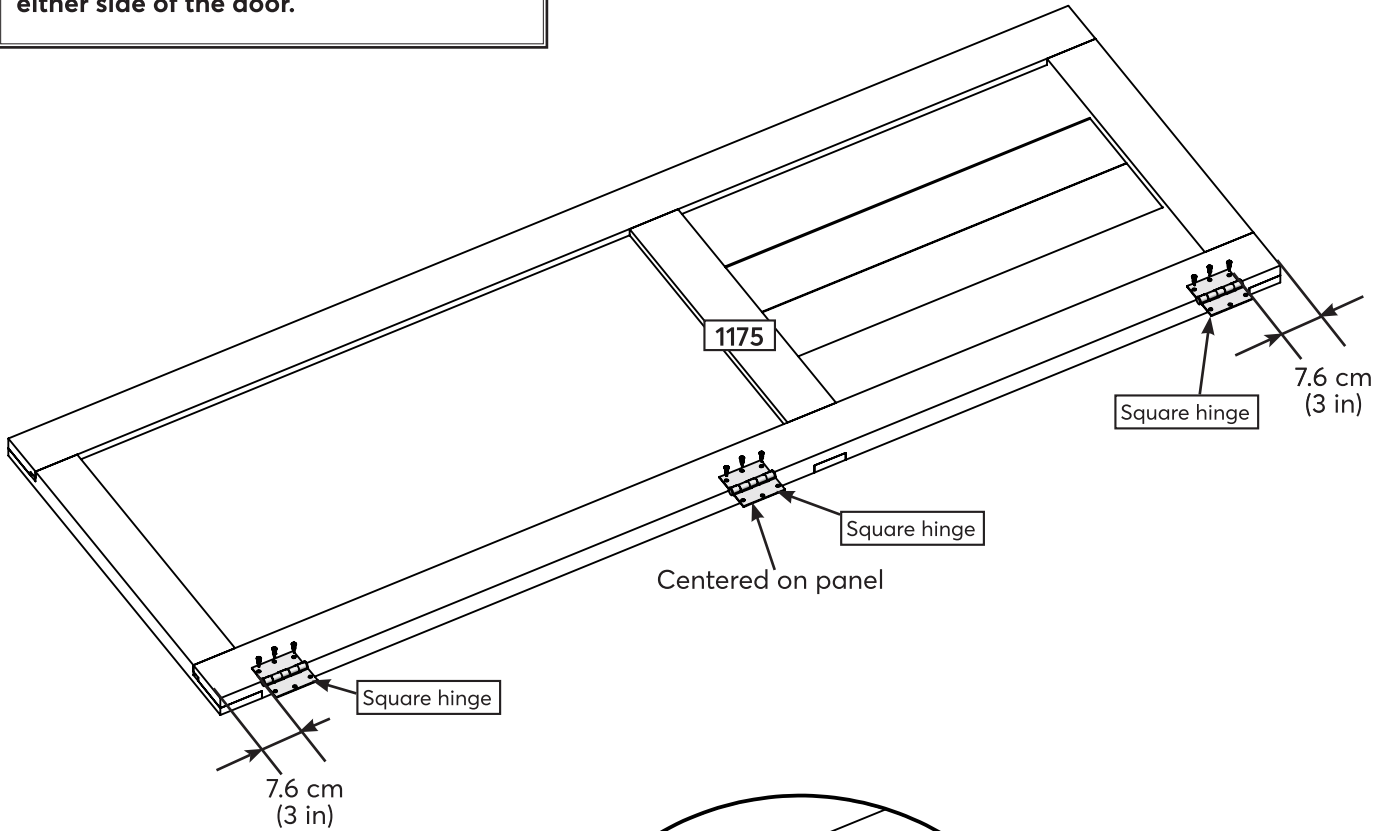
Hardware

- 11 x S14



Note: Your greenhouse is not intended to be airtight, so a slight gap in the door is normal and is designed to prevent the door from sticking in humid conditions.

Note: The hinges can be mounted on either side of the door.



Wood Parts

1 x 1175

Hardware

9 x S39

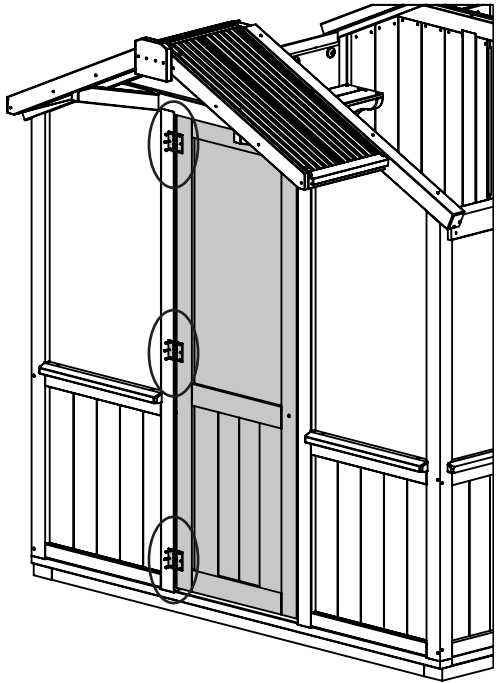
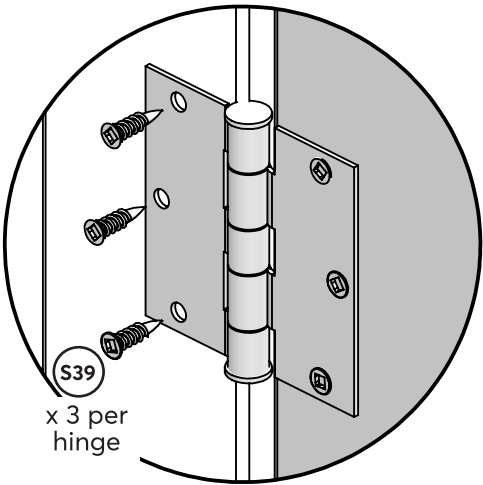
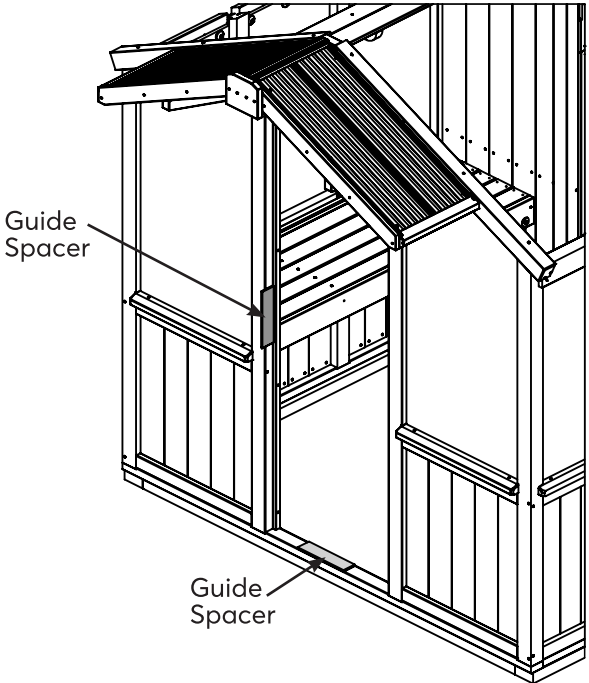
Components

3 x Square Hinge

Use Guide Spacer to space
Door in opening

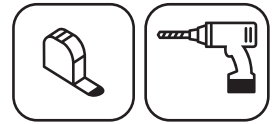


Roof removed for clarity

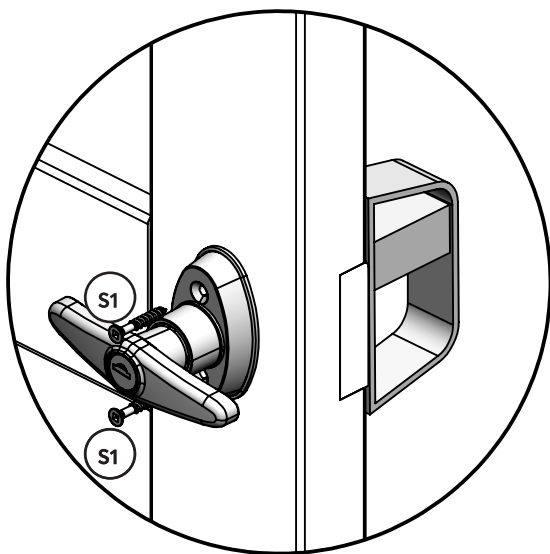
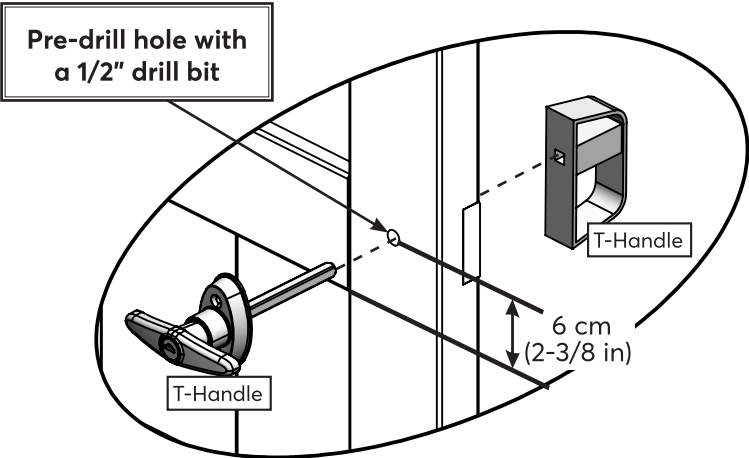
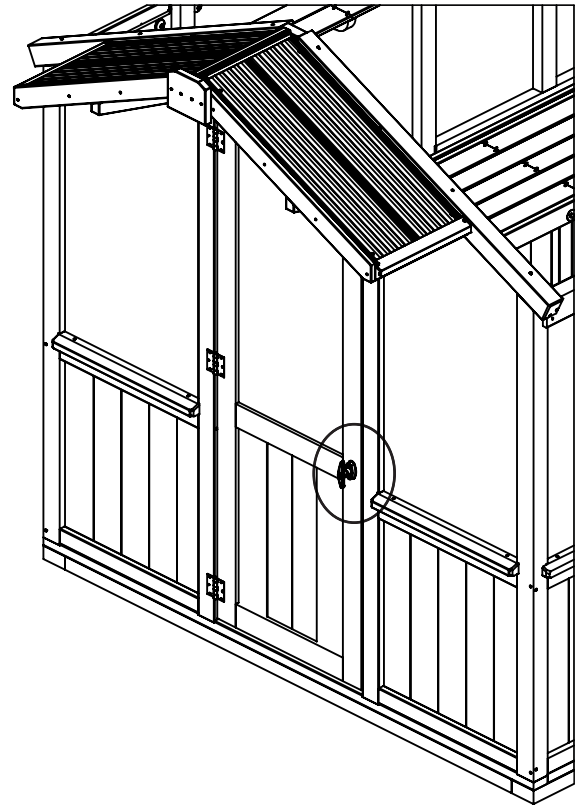


Hardware

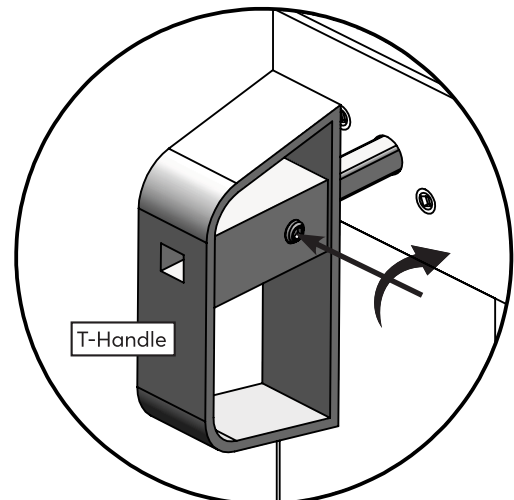
9 x S39



Roof removed for clarity



Inside View



Hardware

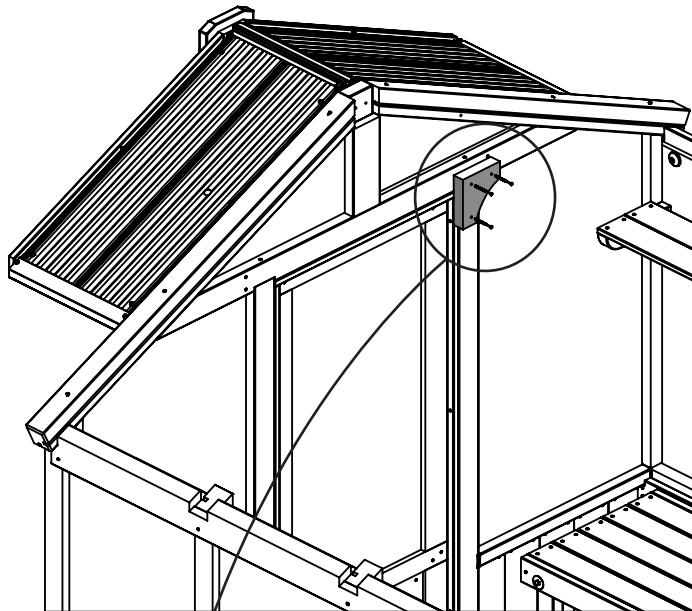
2 x (S1)

Components

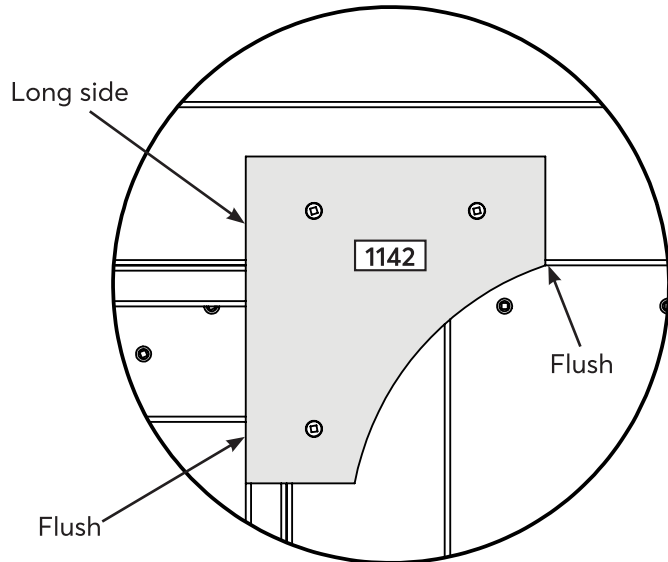
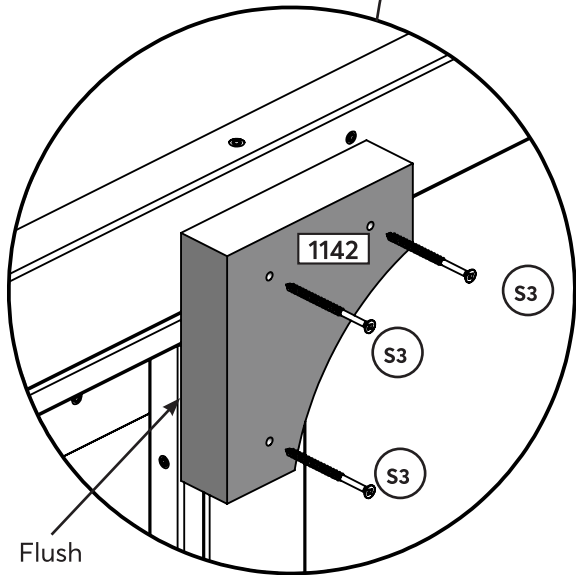
1 x T-Handle



Roof removed for clarity



Front View

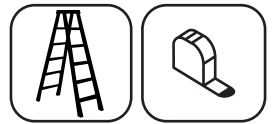


Wood Parts

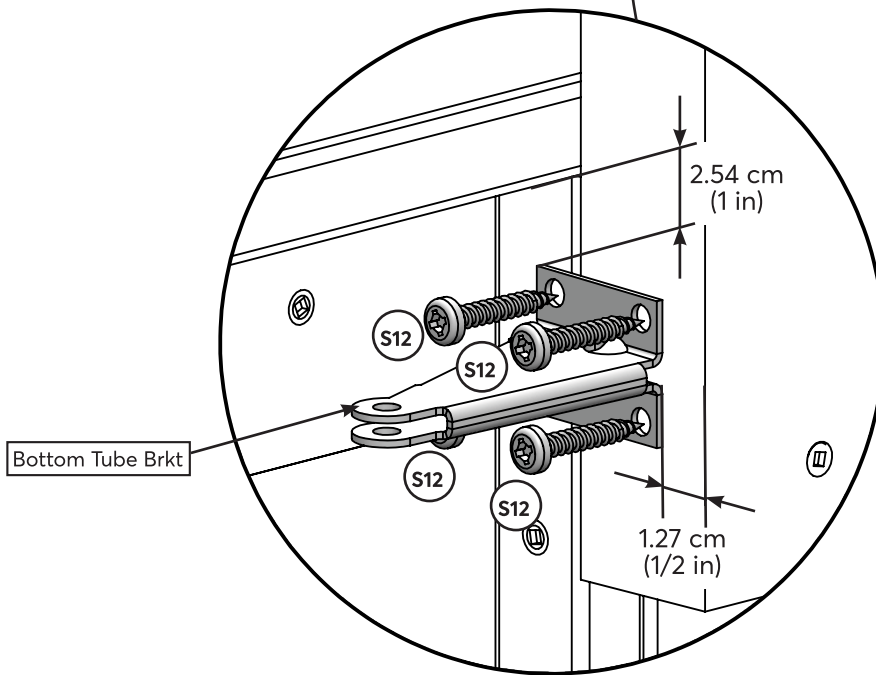
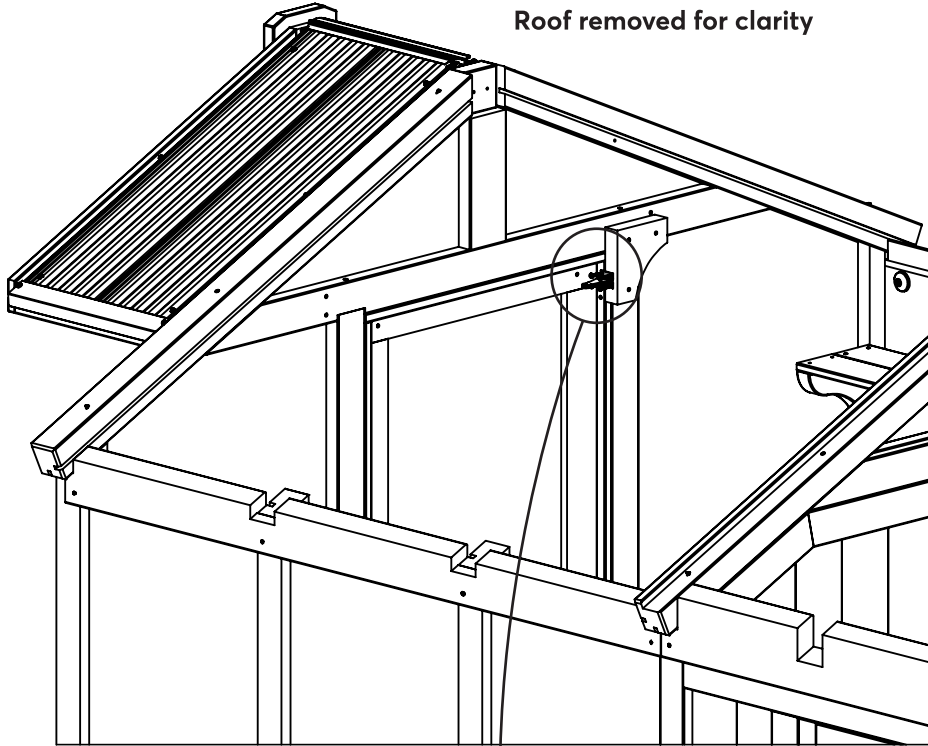
1 x 1142

Hardware

3 x S3



Roof removed for clarity



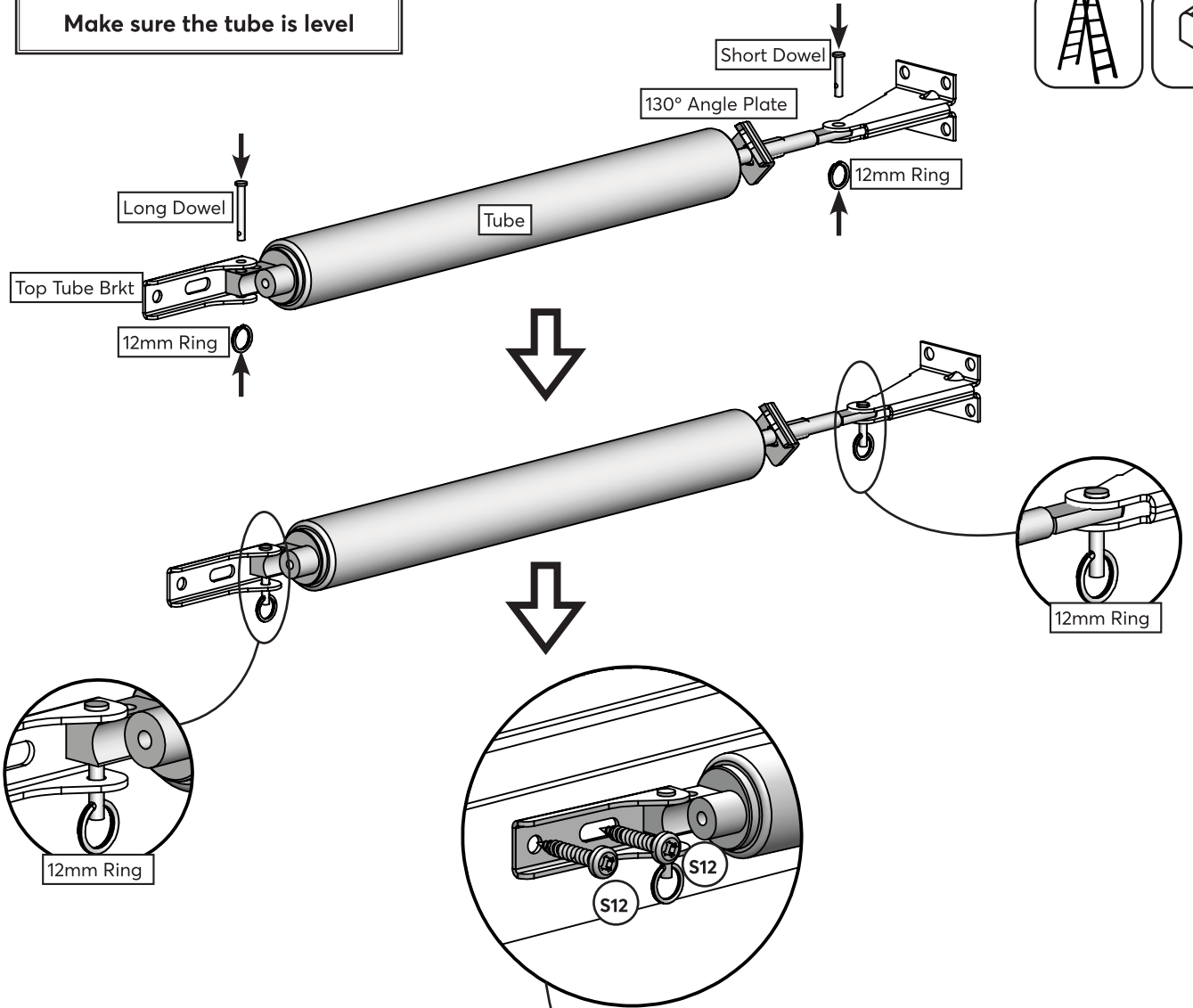
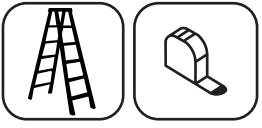
Hardware

4 x S12 (Black)

Components

1 x Bottom Tube Brkt

Make sure the tube is level



Roof removed for clarity

22.9 cm
(9 in)

Hardware

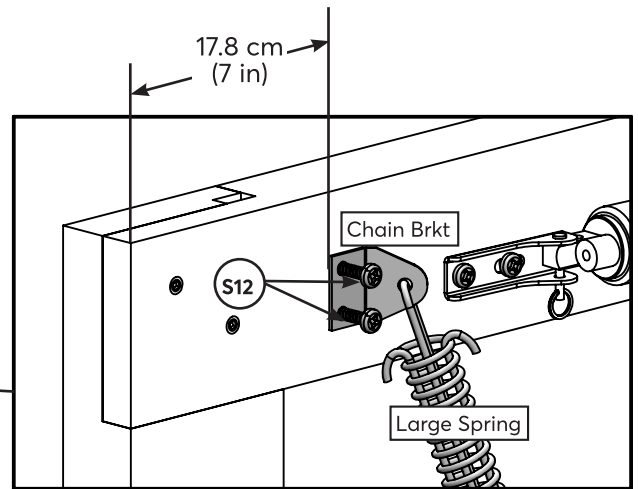
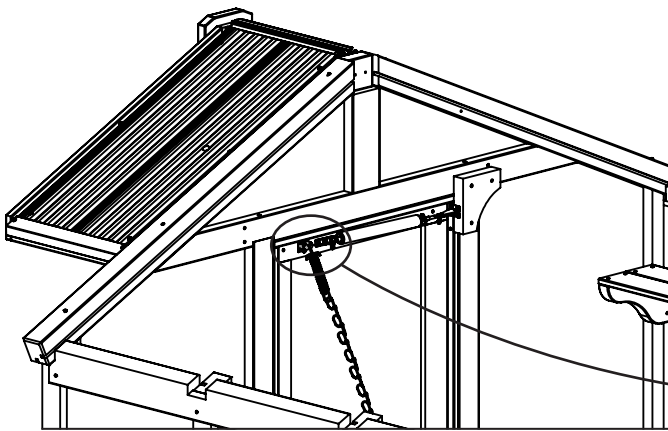
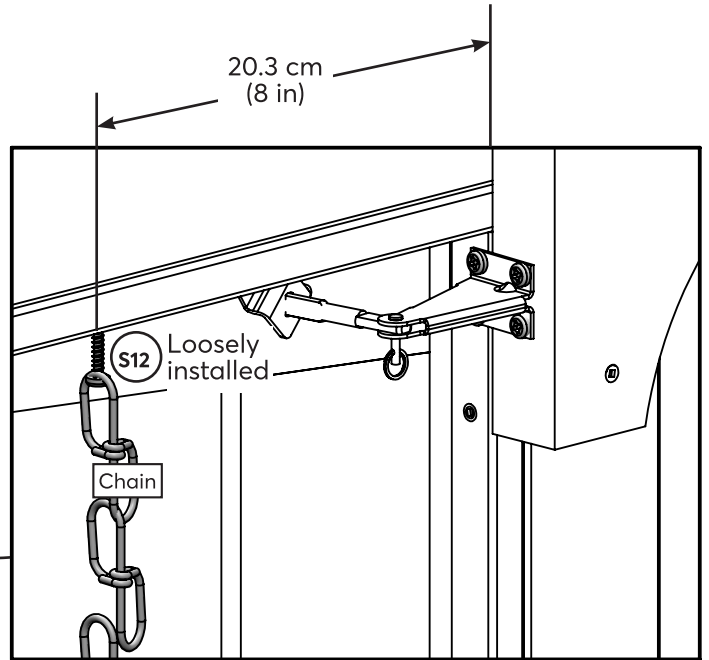
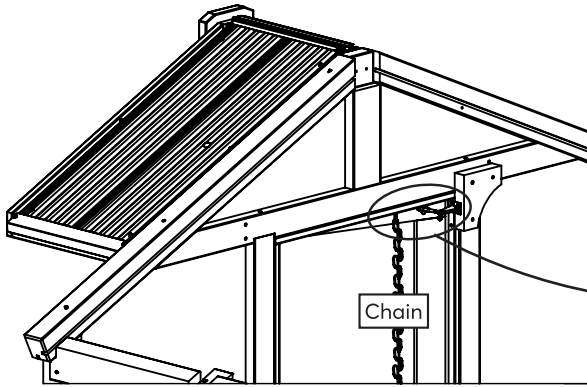
2 x S12 (Black)

Components

2 x 12mm Ring	1 x Long Dowel
1 x Tube	1 x 130° Angle Plate
1 x Top Tube Brkt	1 x Short Dowel



Roof removed for clarity



Hardware

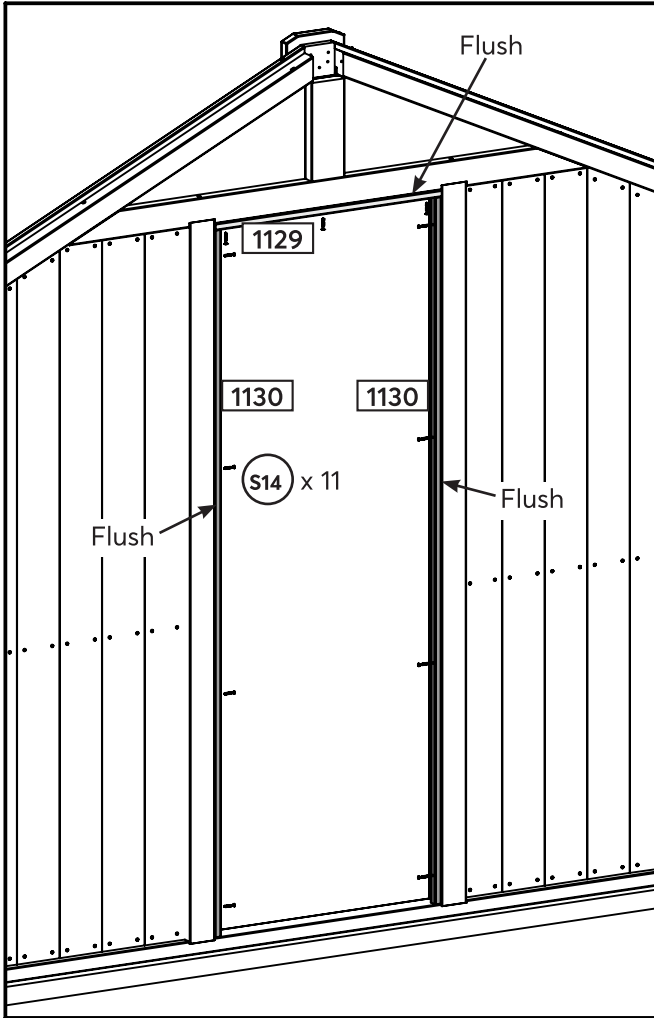
3 x S12 (Black)

Components

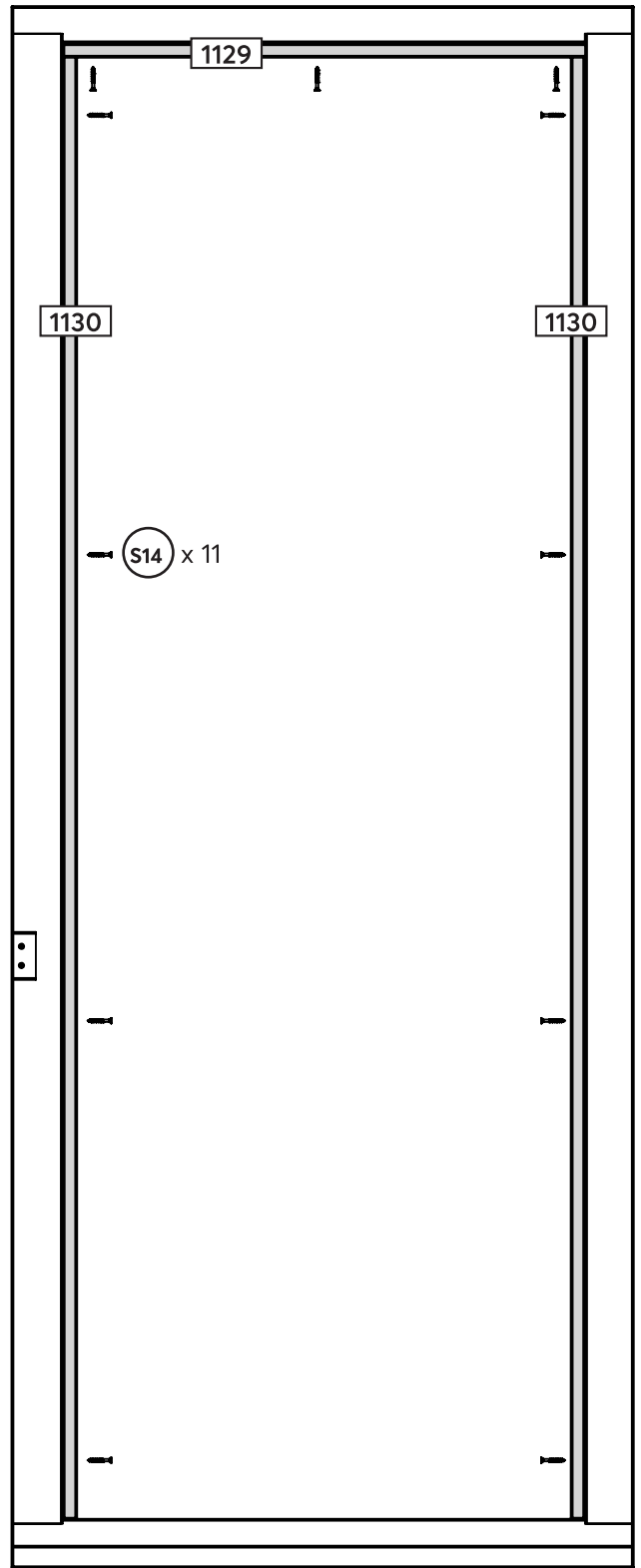
- 1 x Chain
- 1 x Chain Brkt
- 1 x Large Spring

Roof removed for clarity

Inside View



Inside and Front View



Wood Parts

- 2 x 1130
- 1 x 1129

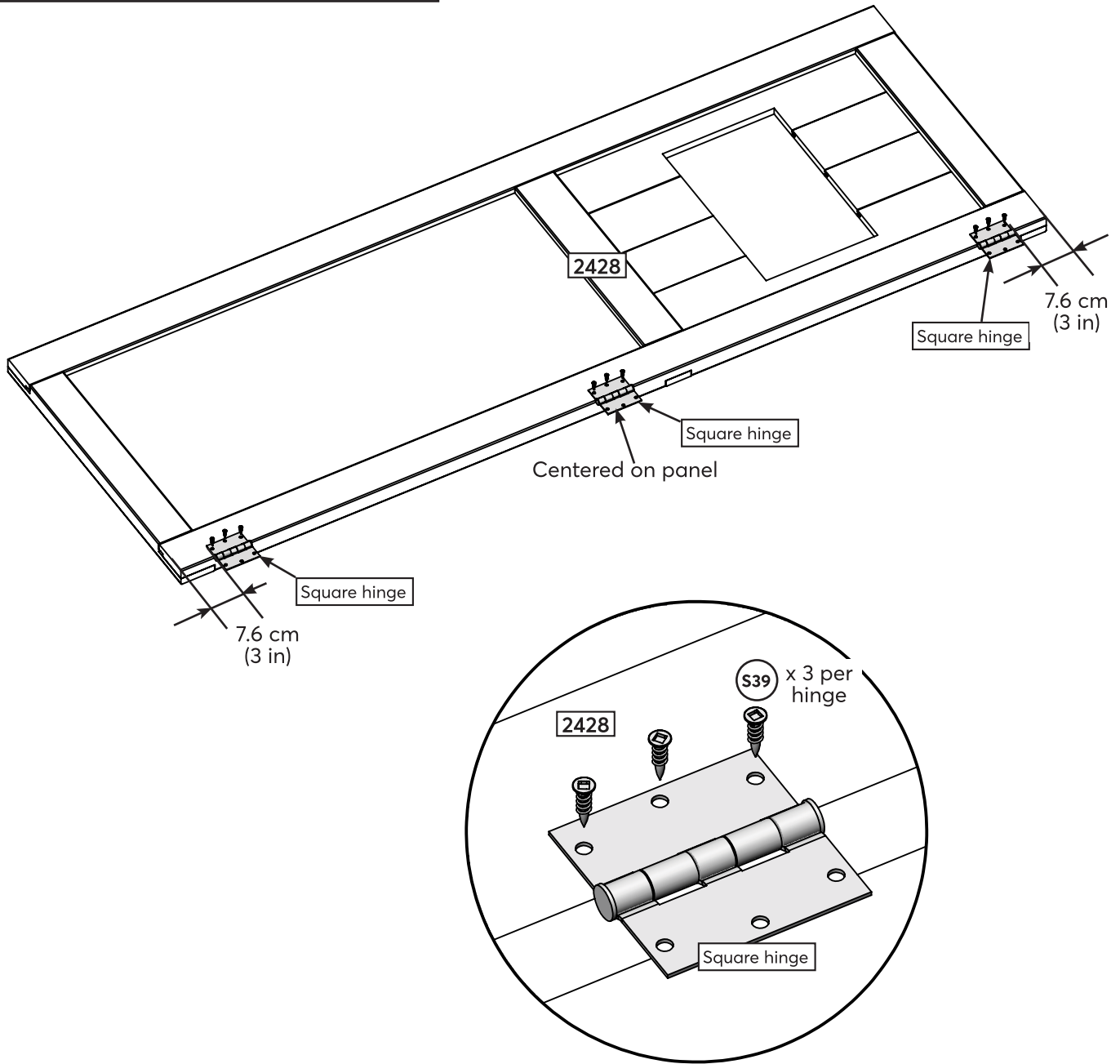
Hardware

- 11 x S14



Note: Your greenhouse is not intended to be airtight, so a slight gap in the door is normal and is designed to prevent the door from sticking in humid conditions.

Note: The hinges can be mounted on either side of the door.



Wood Parts

1 x 2428

Hardware

9 x S39

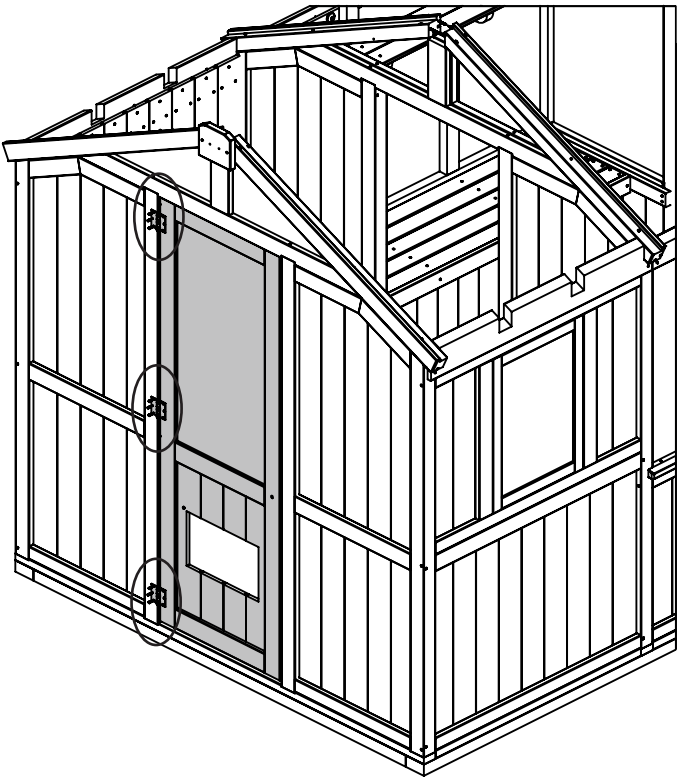
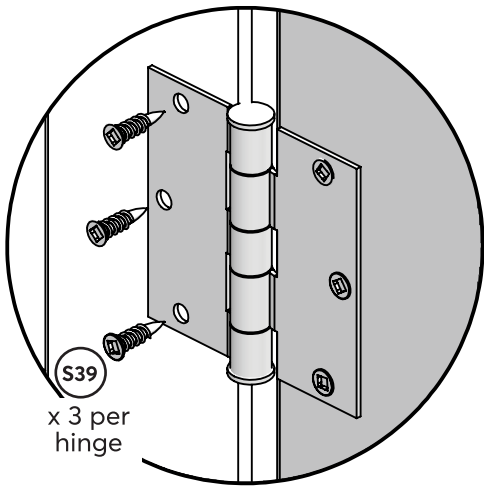
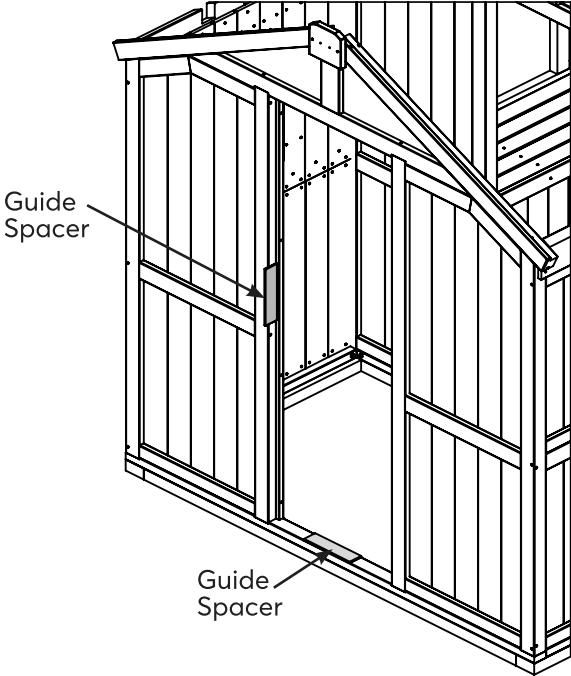
Components

3 x Square Hinge

Use Guide Spacer to space Door in opening



Roof removed for clarity

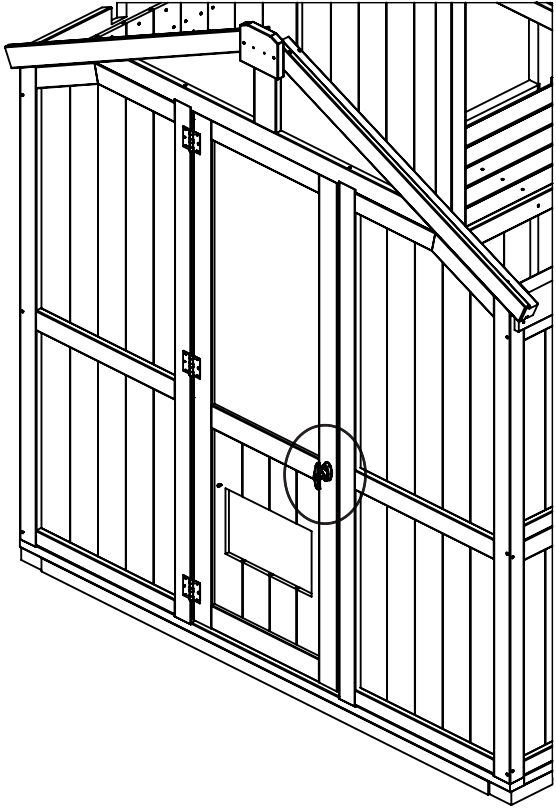


Hardware

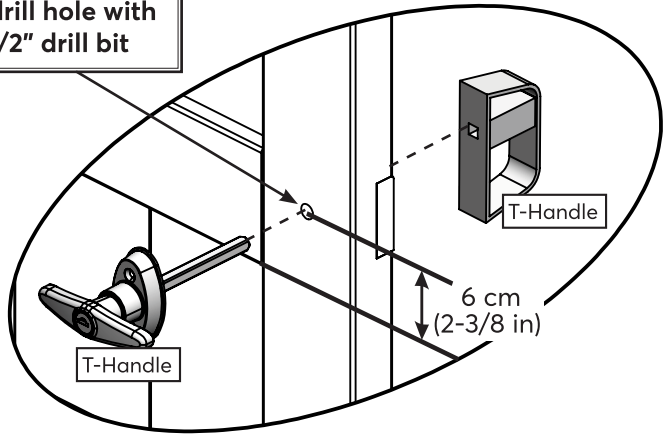
9 x S39



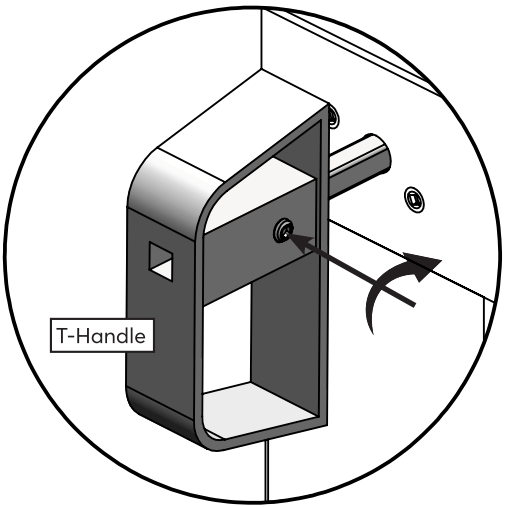
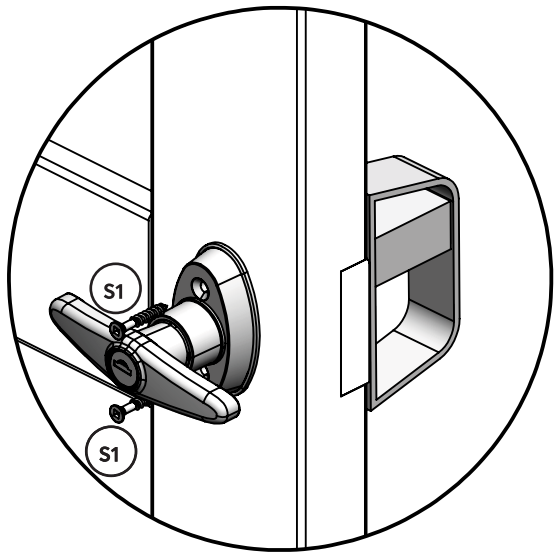
Roof removed for clarity



Pre-drill hole with a 1/2" drill bit



Inside View



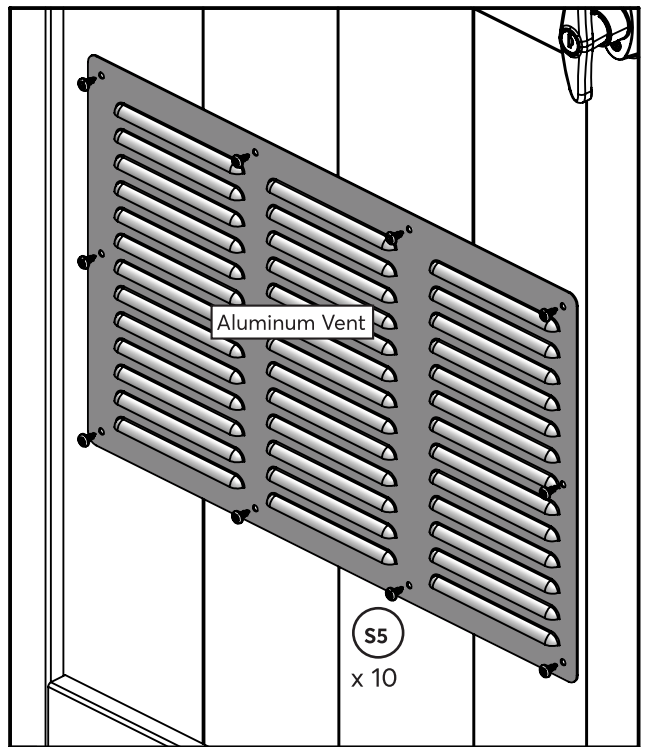
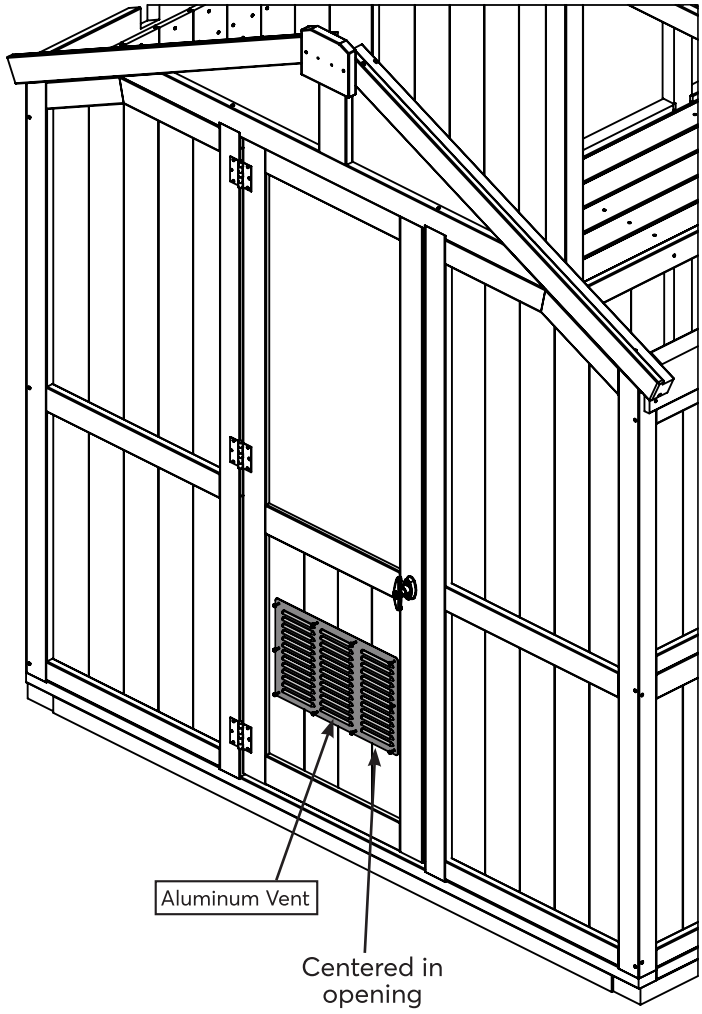
Hardware

2 x (S1)

Components

1 x T-Handle

Roof removed for clarity



Hardware

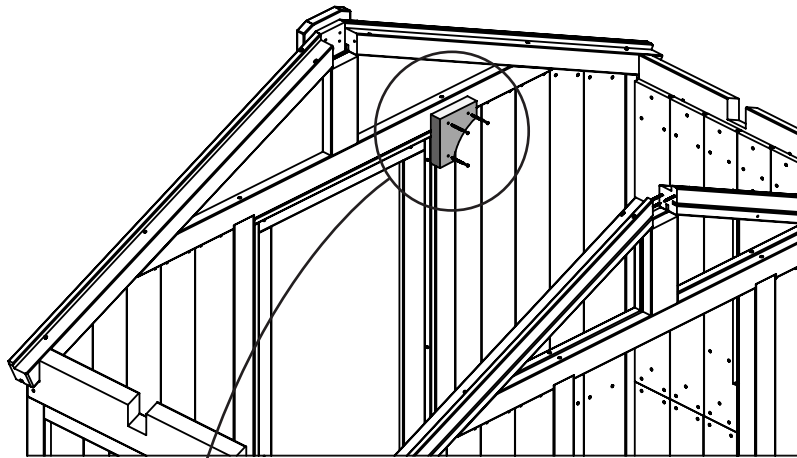
10 x S5

Components

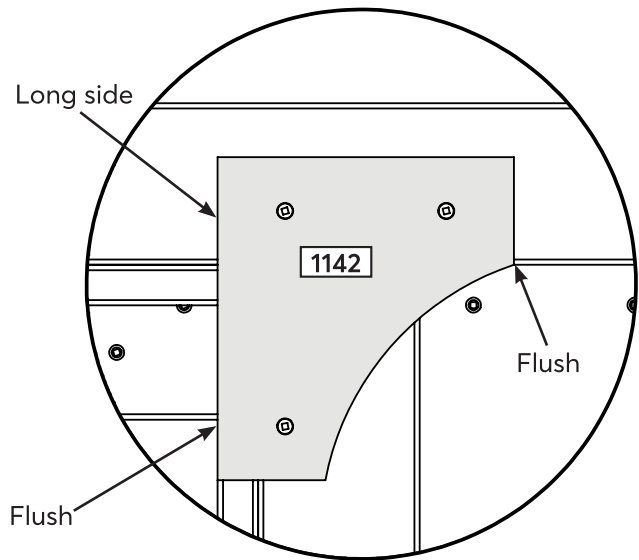
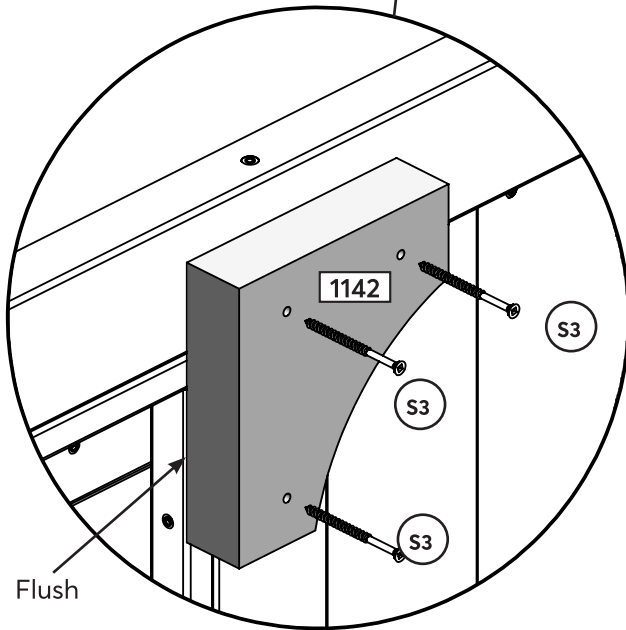
1 x Aluminum Vent



Roof removed for clarity



Front View

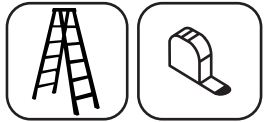


Wood Parts

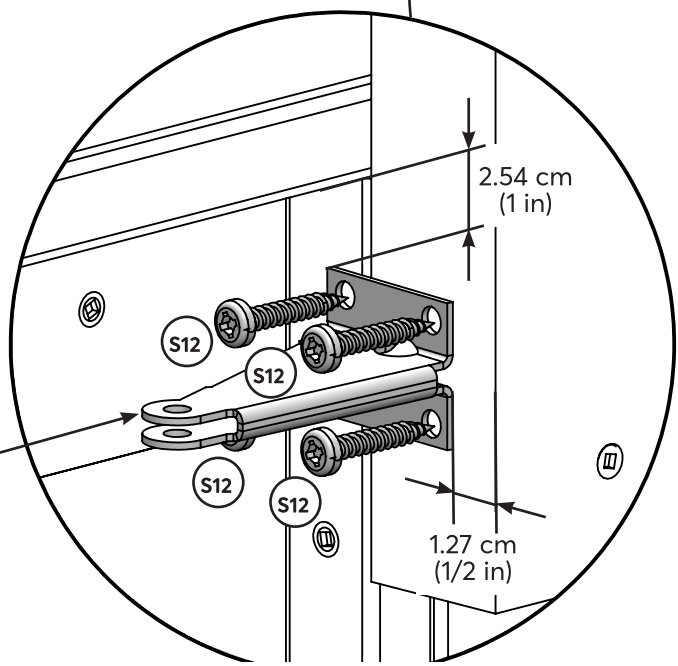
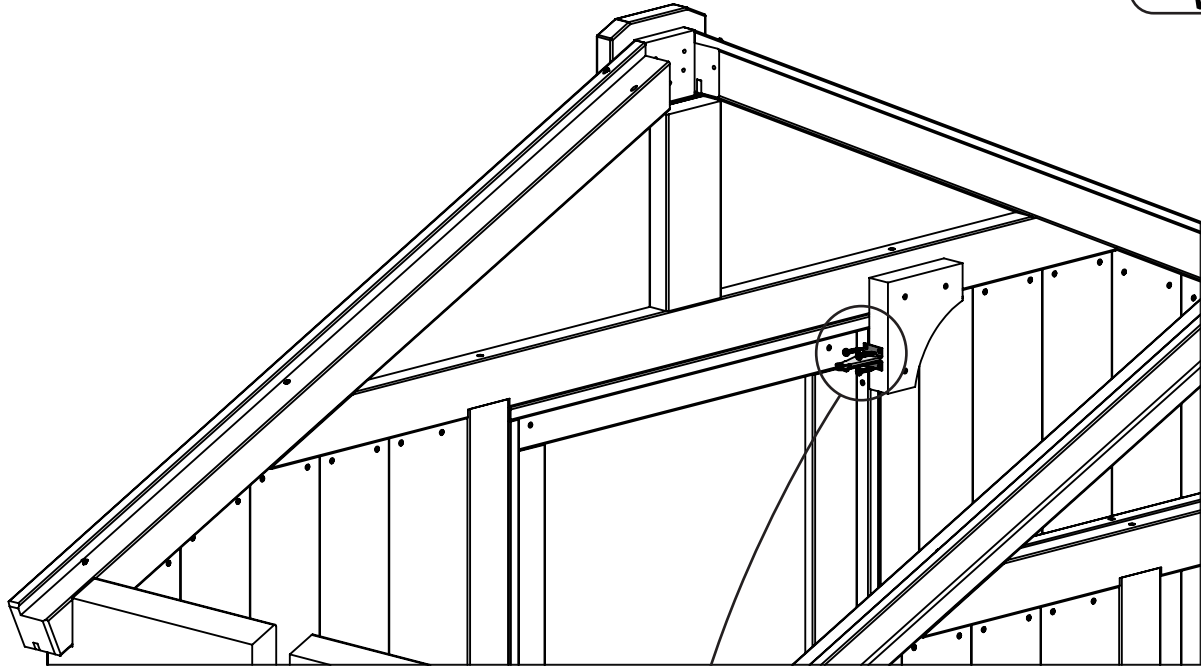
1 x 1142

Hardware

3 x S3



Roof removed for clarity

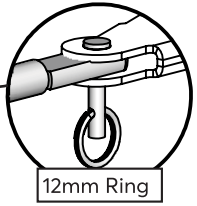
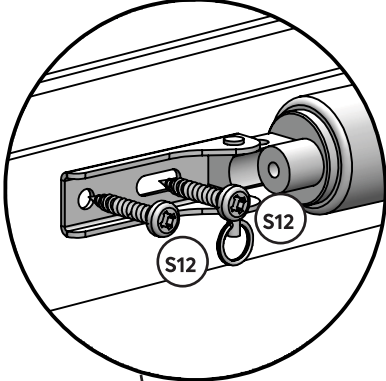
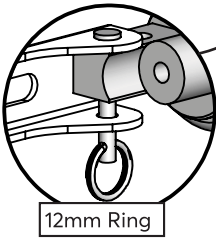
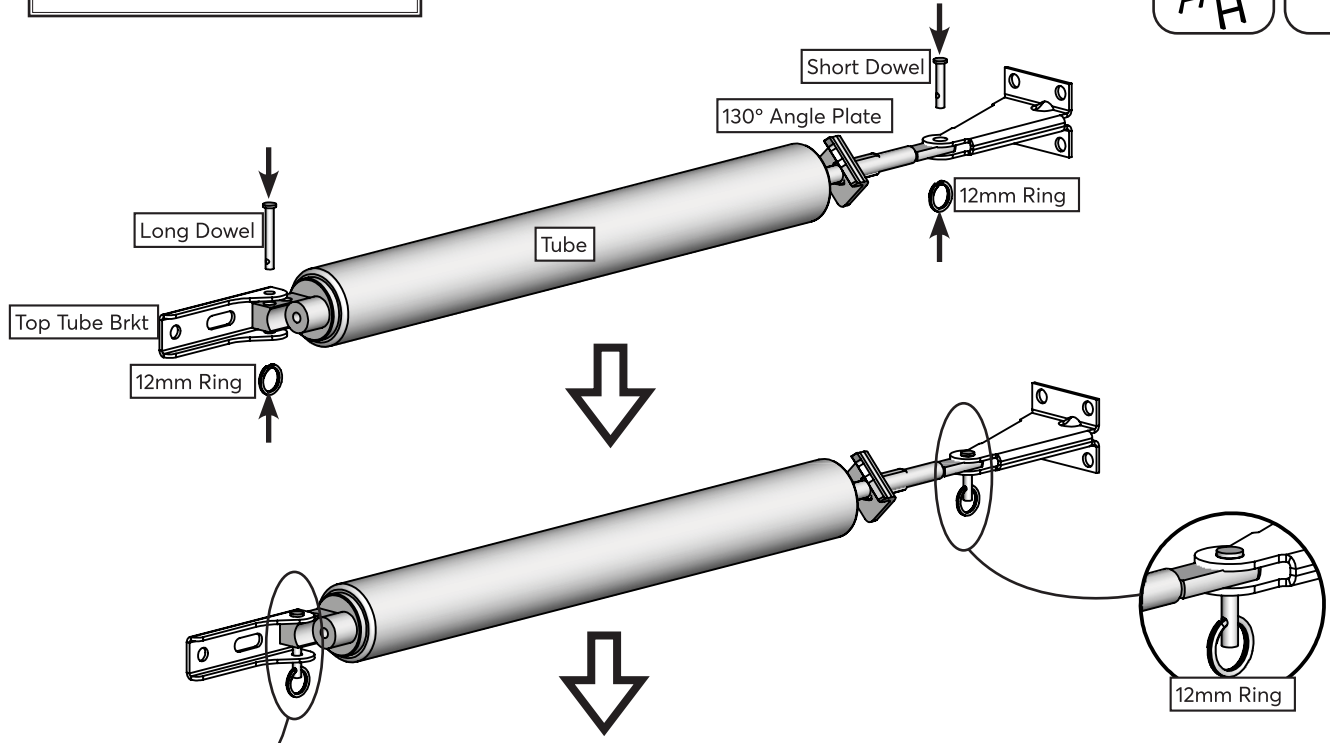


Bottom Tube Brkt

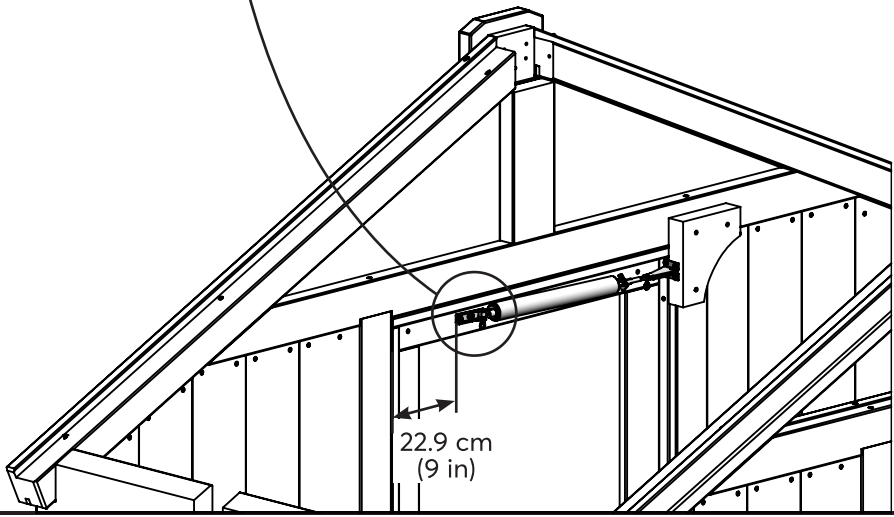
Hardware
4 x S12 (Black)

Components
1 x Bottom Tube Brkt

Make sure the tube is level



Roof removed for clarity



Hardware

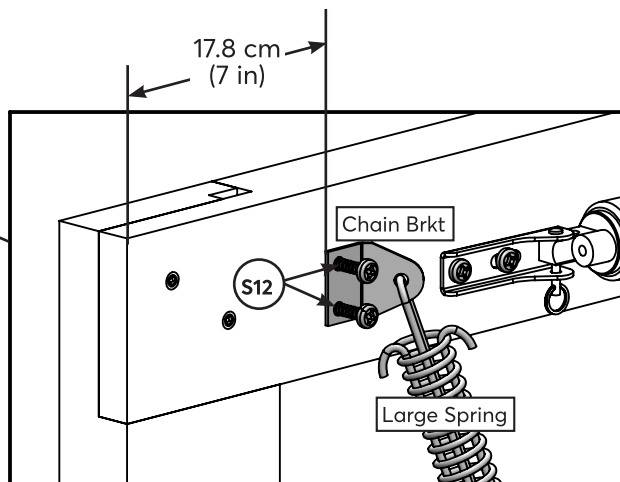
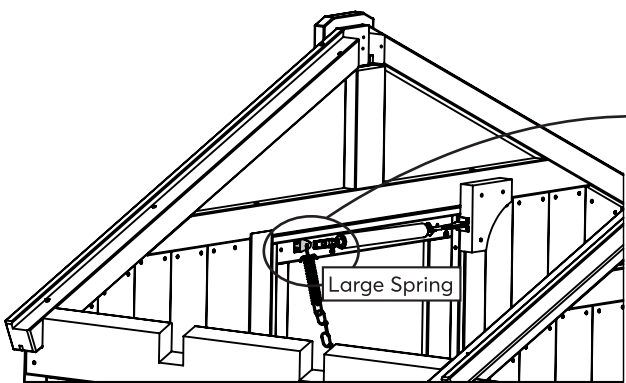
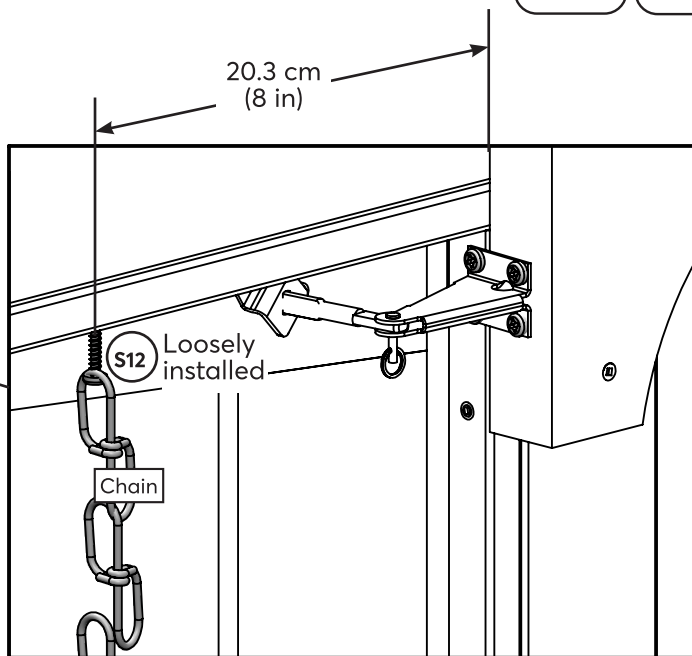
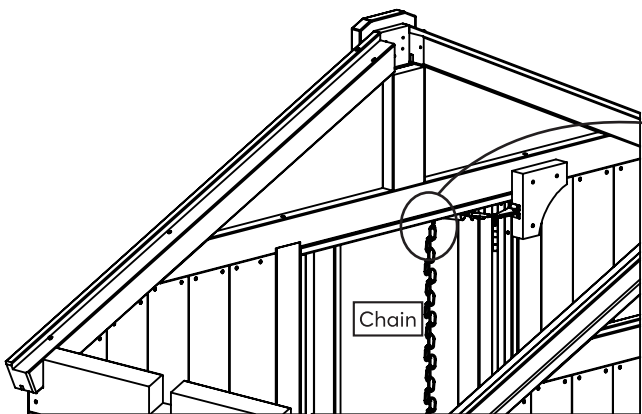
2 x S12 (Black)

Components

2 x 12mm Ring 1 x Long Dowel
 1 x Tube 1 x 130° Angle Plate
 1 x Top Tube Brkt 1 x Short Dowel



Roof removed for clarity

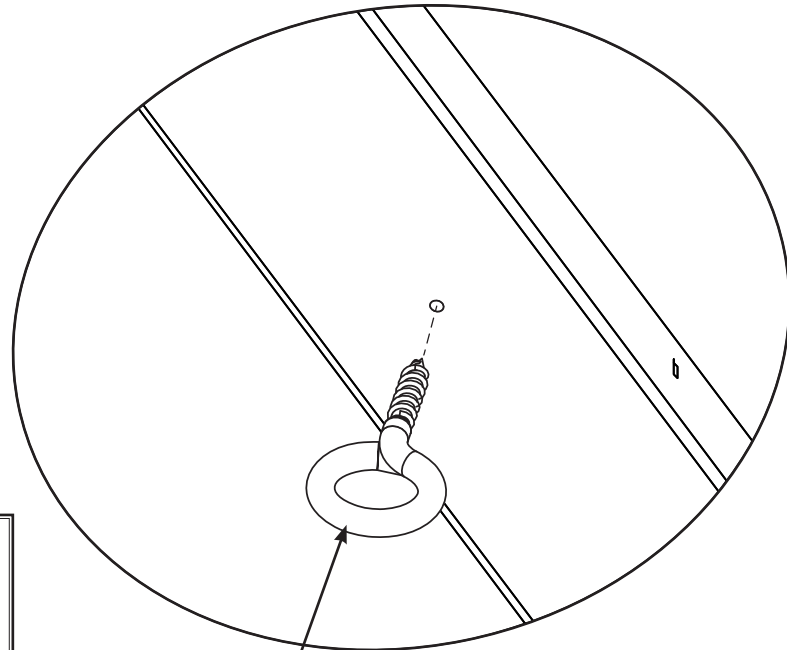
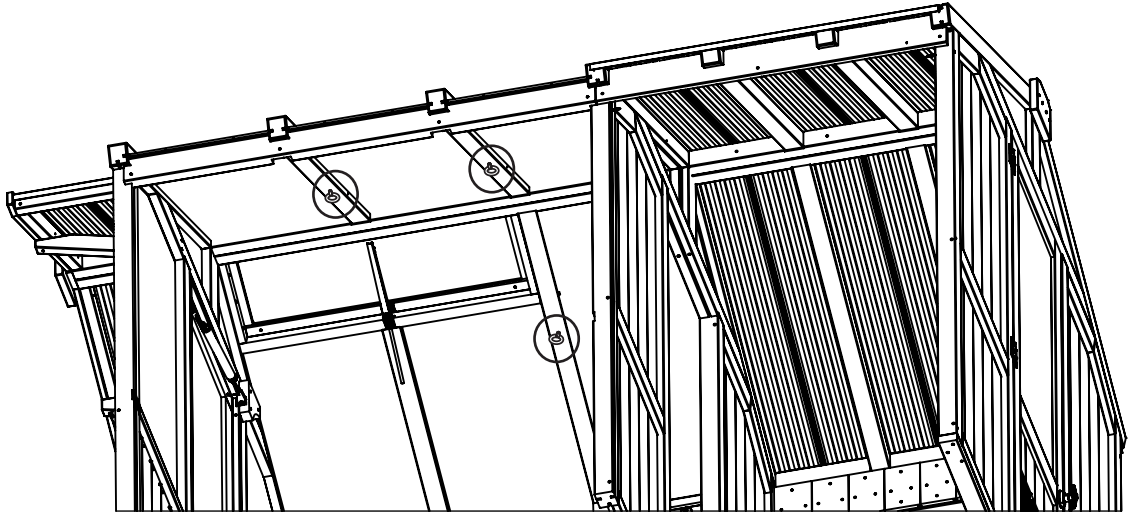


Hardware

3 x S12 (Black)

Components

- 1 x Chain
- 1 x Chain Brkt
- 1 x Large Spring



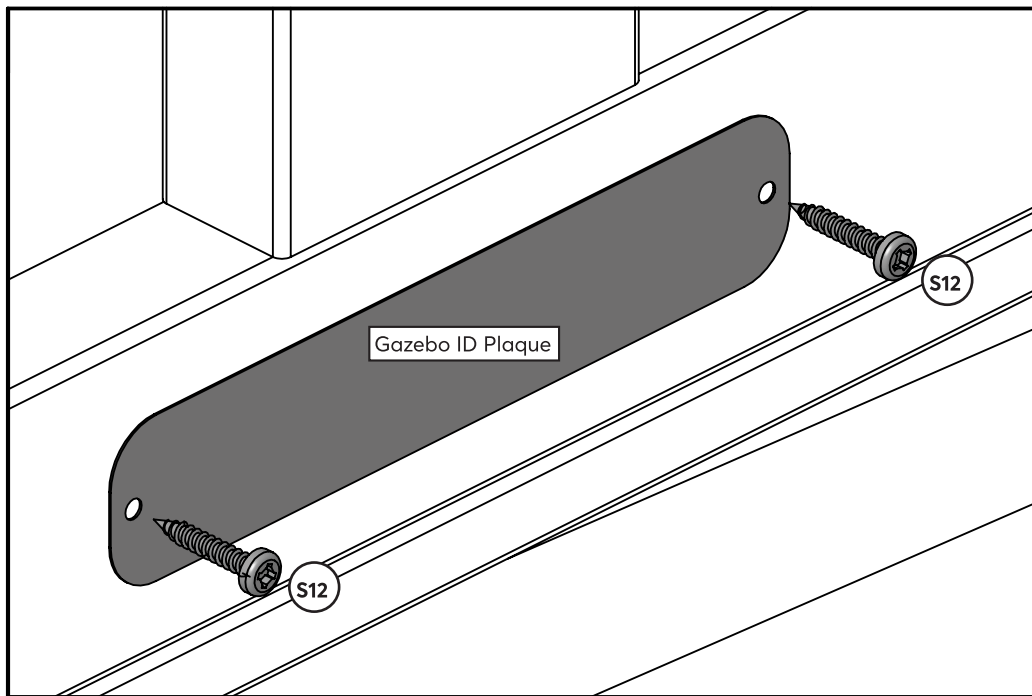
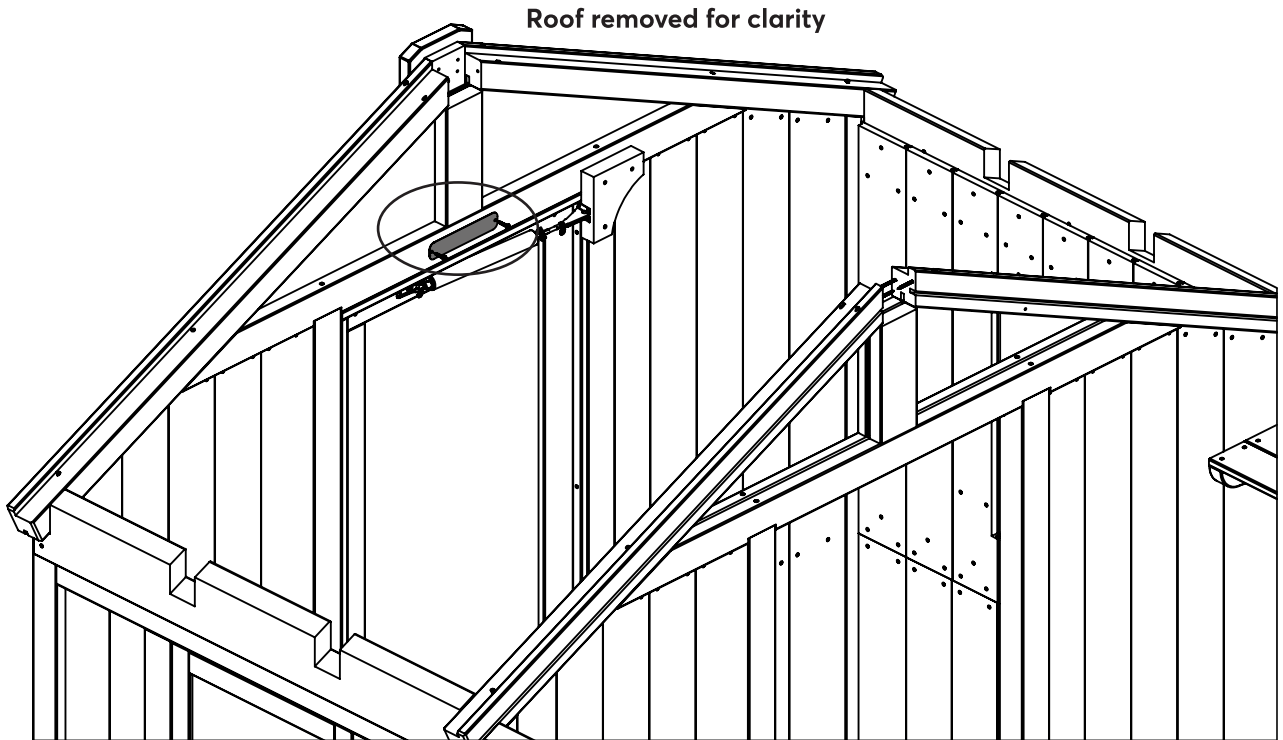
Note: DO NOT ATTACH ANY PRODUCT WHICH WEIGHS GREATER THAN 22 LBS (10 KG) TO THE EYE LAG

Eye Lag x 3

Components

3 x Eye Lag

Attach Gazebo ID Plaque to a prominent location on your greenhouse with two S12. This provides warnings concerning safety and important contact information.



Hardware

2 x S12 (Black)

Components

1 x Gazebo ID Plaque



Customer Registration Card - Carte d'inscription du client - Tarjeta de Registro del Cliente

First Name - Prénom - Primer Nombre	Initial - Initiale - Inicial	Last Name - Nom de famille - Apellido

Street - Rue - Calle	PO Box - Boîte postale - Casilla postal	Apt. No. - App.

City - Ville - Ciudad	State/Province - État/Province - Estado/Provincia

ZIP/Postal Code - ZIP/Code postal - Código Postal	Country - Pays - País

E-mail Address - Adresse courriel - Dirección de E-mail	Telephone Number - N° de téléphone - No. de Teléfono

Model Name - Nom du modèle - Nombre del Modelo	Model Number (from front cover) - N° du modèle (page de couverture) - Número de Modelo (de la portada)

Date of Purchase - Date d'achat - Fecha de Compra (mm/dd/yyyy) (mm/jj/aaaa) (mm/dd/aaaa)	Place of Purchase - Lieu d'achat - Comprado a

Comments - Commentaires - Comentarios :

Mail To - Envoyer par courrier à - Enviar por Correo a:

Yardistry
375 Sligo Road West, PO Box 10
Mount Forest, Ontario, Canada, N0G 2L0
Attention: Consumer Relations
À l'attention de : Service à la clientèle
Atención a: Servicio de Atención al Cliente

Online Registration - Enregistrement en ligne - Registro online:

www.yardistrystructures.com/warranty

1.888.509.4382

Hours/ Heures/ Horas: 8:30 am - 5:00 pm EST
(excl. holidays/ hors jours fériés/ excepto los días festivos)

English and French Spoken / Anglais et français parlés / Inglés y francés hablado

Yardistry would like to say "Thank you" for your time and feedback.

Yardistry aimerait vous remercier d'avoir pris le temps de répondre au sondage.

Yardistry quiere "Agradecerle" por su tiempo y su opinión.