

10' x 10' MERIDIAN GAZEBO

with ALUMINUM ROOF

Installation and Operating Instructions – YM11756



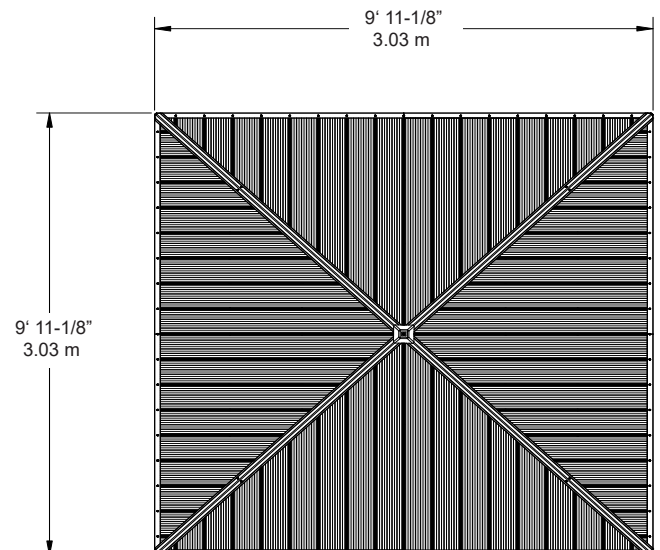
HEIGHT:
9'4" or 2.85m

Revised 11-13-2019


YARDISTRY[®]

Yardistry – North America
Toll Free Customer Support: 1.888.509.4382
info@yardistrystructures.com
www.yardistrystructures.com

Yardistry / Selwood Products – Europe
Customer Support: +44 1284 852569
parts@selwoodproducts.com
www.selwoodproducts.com



Important Safety Notice!

Yardistry components are intended for privacy, decorative and ornamental use only.

Product is NOT INTENDED for the following:

- A safety barrier to prevent unsupervised access to pools, hot tubs, spas or ponds.
- As load bearing support for a building, structure, heavy objects or swings.
- Used in structures that trap wind, rain or snow that would create extra load on the product.

Accumulated snow must be removed from roof.

DO NOT climb or walk on roof for any reason.

Permanent structures may require a building permit. As the purchaser and or installer of this product you are advised to consult local planning, zoning and building inspection departments for guidance on applicable building codes and/or zoning requirements.

Wood is NOT flame retardant and will burn. Grills, fire pits and chimineas are a fire hazard if placed too close to a Yardistry structure. Consult user's manual of the grill, fire pit or chimnea for safe distances from combustible materials.

Wear gloves to avoid injury from possible sharp edges of individual elements before assembly.

During installation, follow all safety warnings provided with your tools and use OSHA approved safety glasses. Some structures may require two or more people to install safely.

Check for underground utilities before digging or driving stakes into the ground!

It is important during assembly to closely follow the instructions, complete the assembly on a solid level surface and that you follow the instruction to square up, level and anchor the structure, this will reduce the gap at wood connections during assembly.

General Information

General Information: Wood components are manufactured with Cedar (C. Lanceolata) which is protected with factory applied water-based stain. Knots, small checks (cracks) and weathering are naturally occurring and do not affect the strength of the product. Annual application of a water-based water repellent sealant or stain is important and will help reduce weathering and checks.

www.yardistrystructures.com

Questions?

Call toll free or write us at:

1 (888) 509-4382

info@yardistrystructures.com

Patents Pending

Limited Warranty

Yardistry warrants that this product is free from defect in materials and workmanship for a period of one (1) year from the original date of purchase. In addition, for any product with lumber, all lumber is warranted for five (5) years against rot and decay. This warranty applies to the original owner and registrant and is non-transferable.

Regular maintenance is required to assure the integrity of your product and is a requirement of the warranty. This warranty does not cover any inspection costs.

This Limited Warranty does not cover:

- Labour for replacement of any defective item(s);
- Incidental or consequential damages;
- Cosmetic defects which do not affect performance or integrity;
- Vandalism; improper use or installation; acts of nature, including but not limited to wind, storms, hail, floods, excessive water exposure;
- Minor twisting, warping, checking or any other natural occurring properties of wood that do not affect performance or integrity.

Yardistry products have been designed for safety and quality. Any modifications made to the original product could damage the structural integrity of the product leading to failure and possible injury. Yardistry cannot assume any responsibility for modified products. Furthermore, modification voids any and all warranties.

This product is warranted for RESIDENTIAL USE ONLY. Yardistry disclaims all other representations and warranties of any kind, express or implied.

This Warranty gives you specific legal rights. You may have other rights as well which vary from state to state or province to province. This warranty excludes all consequential damages, however, some states/provinces do not allow the limitation or exclusion of consequential damages, and therefore this limitation may not apply to you.

Instructions for Proper Maintenance

Your Yardistry structure is designed and constructed of quality materials. As with all outdoor products it will weather and wear. To maximize the enjoyment, safety and life of your structure it is important that you, the owner, properly maintain it.

HARDWARE:

- Check metal parts for rust. If found, sand and repaint using a non-lead paint complying with 16 CFR 1303.
- Inspect and tighten all hardware after completion of assembly; after first month of use; and then annually. Do not over-tighten as to cause crushing and splintering of wood.
- Check for sharp edges or protruding screw threads, add washers if required.

WOOD PARTS:

- Applying a water repellent or stain (water-based) on a yearly basis is important maintenance to maintain maximum life and performance of the product.
- Check all wood members for deterioration, structural damage and splintering. Sand down splinters and replace deteriorated wood members. As with all wood, some checking and small cracks in grain is normal
- Some gapping may occur at some wood connections.

Assembly Guides

Tools Required:

- | | | |
|----------------------------------|------------------|---------------------------|
| • Tape Measure | • 8' Step Ladder | • 6' Step Ladder x 2 |
| • Carpenters Level | • Safety Glasses | • Square |
| • Standard or Cordless Drill | • Adult Helper | • Ratchet |
| • #2 Phillips Bit or Screwdriver | • Safety Gloves | • 7/16, 1/2 & 9/16 Socket |
| • 7/16" & 9/16" Wrench | • Hard Hat | |

Symbols:

Throughout these instructions symbols are provided in the top, right-hand corner of the page.



- Use Help, where this is shown, 2, 3 or 4 people are required to safely complete this step. To avoid injury or damage to the assembly make sure to get some help.



- Use a measuring tape to assure proper location



- Pre-drill a pilot hole before fastening screw or lag to prevent splitting of wood.

If you dispose of your Yardistry structure: Please disassemble and dispose of your unit so that it does not create any unreasonable hazards at the time it is discarded. Be sure to follow your local waste ordinances.

Assembly Tips

Following are some helpful tips to make the assembly process smooth and efficient.

PRE-ASSEMBLIES:

(i.e. Post and Beam Assemblies, Roof Rafter Assembly, etc)

- Work on a raised, solid and flat surface such as, a table or saw horse.
- Keep all connections flush where shown in the instructions.
- When assembling the beams keep parts flat, straight and snug when connecting.

METAL PARTS:

- Roofing material may have sharp edges, wear safety gloves.
- Remove all plastic covering, on both sides of the metal panels, directly before installing each piece.
- Place roofing material on a non-abrasive surface before and after assembly as it can bend, dent and scratch easily.
- The roofing screws can easily crush the roof panels and roof edges when using a power drill. We recommend hand tightening the roofing screws so they sit snug and tight to the roofing material.

Permanent Installation Examples

Note: It is critically important you start with square, solid and level footings, concrete pad or deck to attach your Pergola Room.

We supply Post Mounts with this structure which gives you the flexibility to permanently install your structure to a pre-existing or new wood or concrete surface.

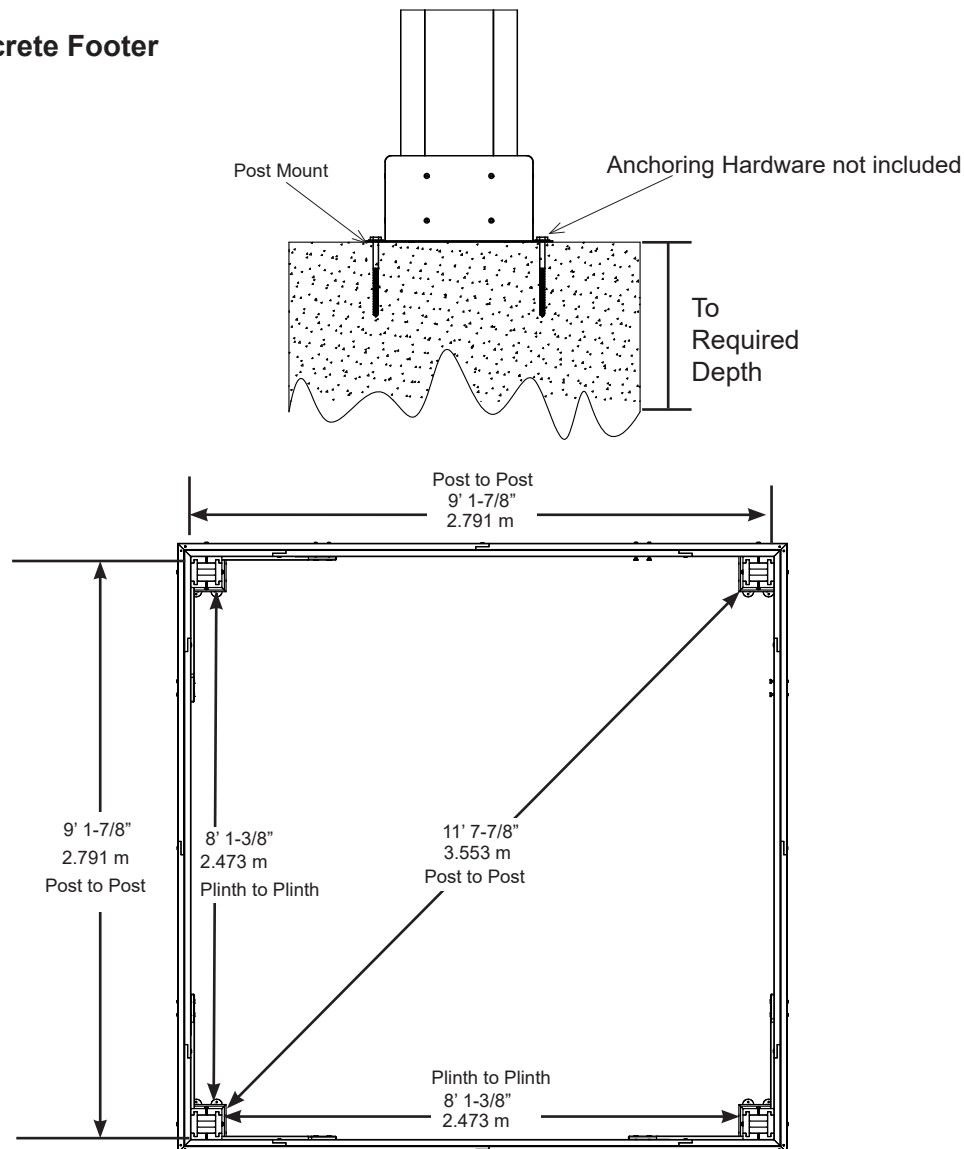
- The hardware to attach the Post Mount to the structure is included.
- The hardware to mount the structure permanently will need to be purchased separately at your local hardware store.

If you are mounting to concrete footers see below for the correct locations and placement. Please double check for possibility of any underground utilities such as gas, telephone, cable or sprinkler lines.

Following are some examples of how to mount the structure to wood or concrete surfaces.

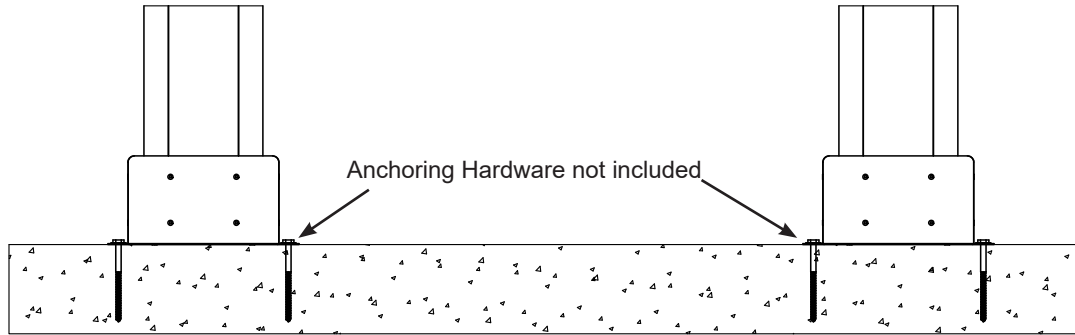
Refer to your local building and city codes, ordinances, neighbourhood covenants, or height restrictions regarding this type of structure for guidance on acceptable installation requirements.

Concrete Footer

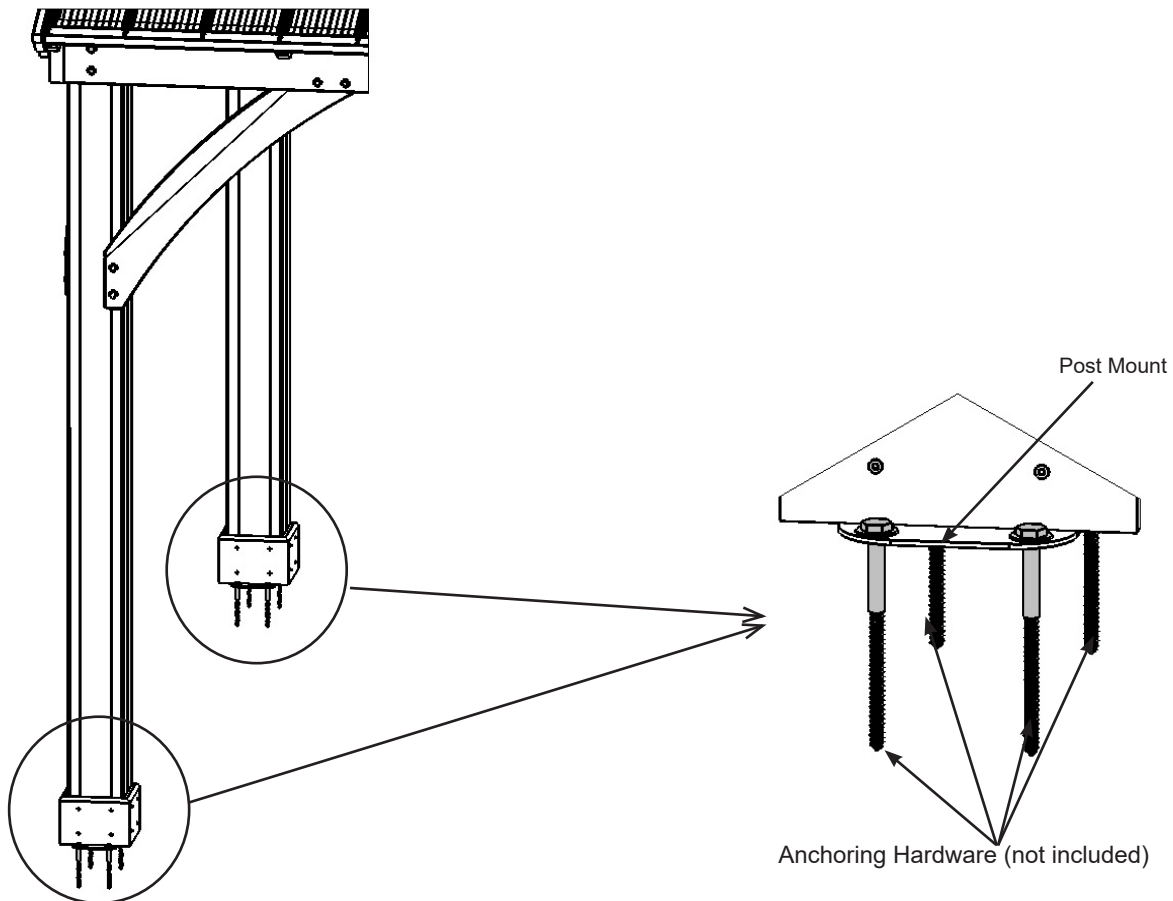
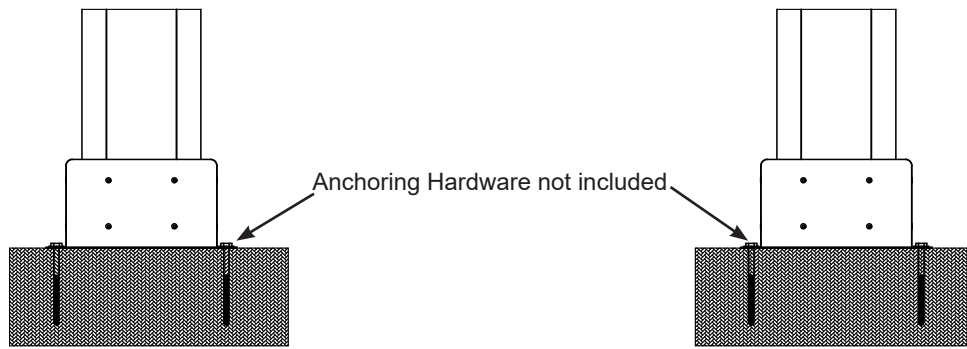


Permanent Installation Examples cont.

Concrete Patio [min. 10' 1-7/8" x 10' 1-7/8" (3.096 m x 3.096 m)] with 6" (15.24 cm) clearance on all sides

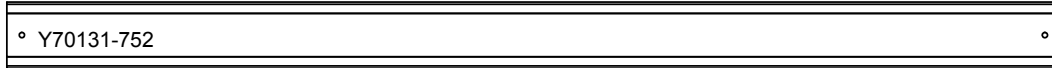


Wood Deck [min. 10' 1-7/8" x 10' 1-7/8" (3.096 m x 3.096 m)] with 6" (15.24 cm) clearance on all sides

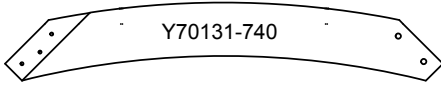


Part Identification (Dimensions are approximate and are shown to assist in the identification of parts for assembly. Actual dimensions may be smaller or larger.)

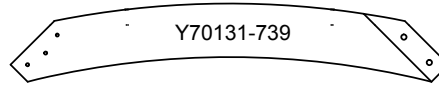
139.7 x 139.7 x 2235.2mm (5½ x 5½ x 88")
4pc. (752) - Post



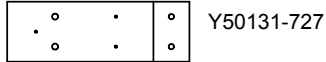
34.9 x 165.1 x 926.9mm (1-3/8 x 6-1/2 x 36-1/2")
4pc. (740) - Short Right Gusset



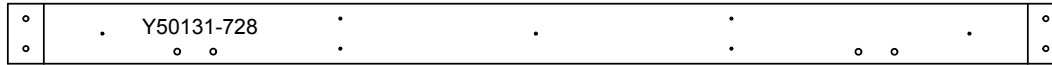
34.9 x 165.1 x 926.9mm (1-3/8 x 6-1/2 x 36-1/2")
4pc. (739) - Short Left Gusset



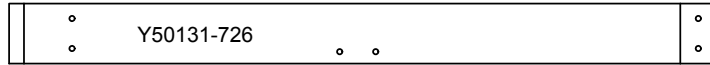
31.8 x 127 x 385.8mm (1-1/4 x 5 x 15-3/16")
8pc. (727) - Inside Short Beam



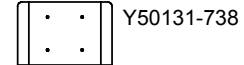
31.8 x 127 x 2235.2mm (1-1/4 x 5 x 88")
4pc. (728) - Inside Long Beam



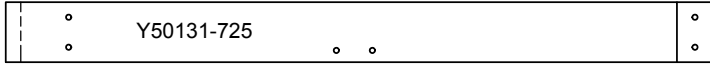
31.8 x 127 x 1497mm (1-1/4 x 5 x 58-15/16")
4pc. (726) - Right Outside Beam



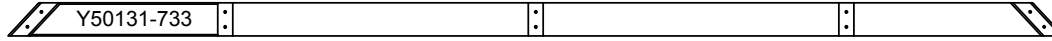
19.1 x 127 x 177.8mm (3/4 x 5 x 7")
16pc. (738) - Plinth



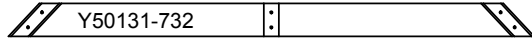
31.8 x 127 x 1497mm (1-1/4 x 5 x 58-15/16")
4pc. (725) - Left Outside Beam



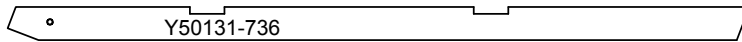
28.6 x 69.9 x 2234.5mm (1-1/8 x 2-3/4 x 88")
4pc. (733) - Strap Long



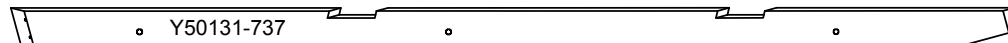
28.6 x 69.9 x 1112.5mm (1-1/8 x 2-3/4 x 43-3/4")
4pc. (732) - Short Strap



28.6 x 69.9 x 1570mm (1-1/8 x 2-3/4 x 61-13/16")
4pc. (736) - Rafter



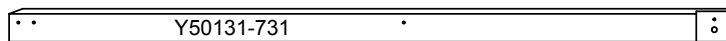
25.4 x 80 x 2137mm (1 x 3-1/8 x 84-1/8")
4pc. (737) - Corner RT



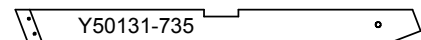
25.4 x 80 x 2137mm (1 x 3-1/8 x 84-1/8")
4pc. (729) - Corner LT



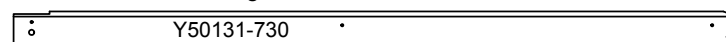
28.6 x 69.9 x 1530.8mm (1-1/8 x 2-3/4 x 60-1/4")
4pc. (731) - Fascia Left Short



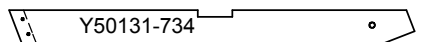
28.6 x 69.9 x 858mm (1-1/8 x 2-3/4 x 33-3/4")
4pc. (735) - Rafter Short Left



28.6 x 69.9 x 1530.8mm (1-1/8 x 2-3/4 x 60-1/4")
4pc. (730) - Fascia Right Short

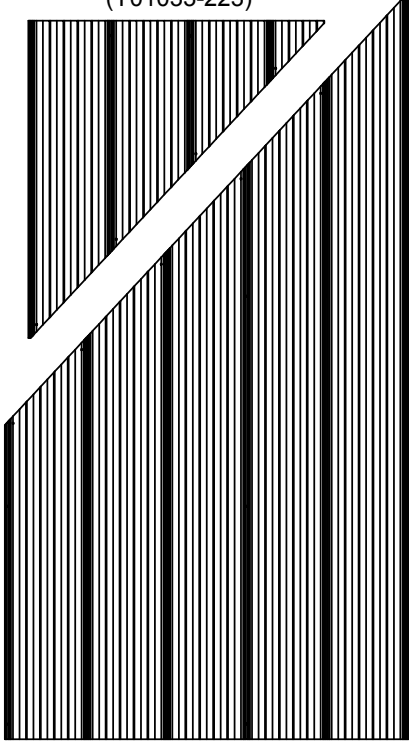


28.6 x 69.9 x 858mm (1-1/8 x 2-3/4 x 33-3/4")
4pc. (734) - Rafter Short Right



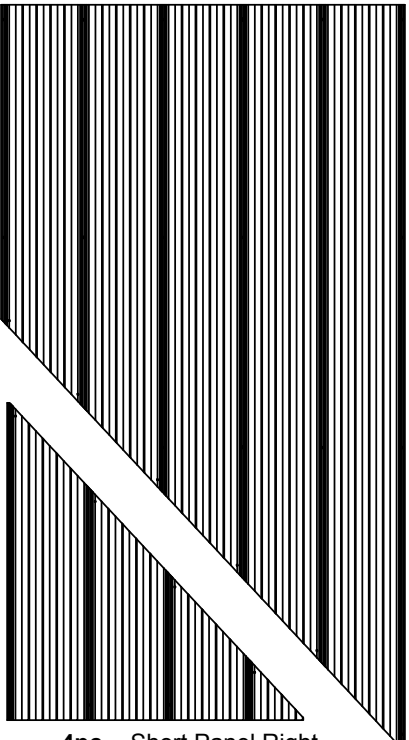
Hardware Identification (Dimensions are approximate and are shown to assist in the identification of parts for assembly. Actual dimensions may be smaller or larger.)

4pc. - Short Panel Left
(Y01033-223)



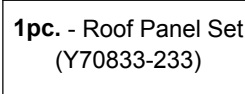
4pc. - Long Panel Left
(Y01033-222)

4pc. - Long Panel Right
(Y01033-224)




4pc. - Short Panel Right
(Y01033-225)

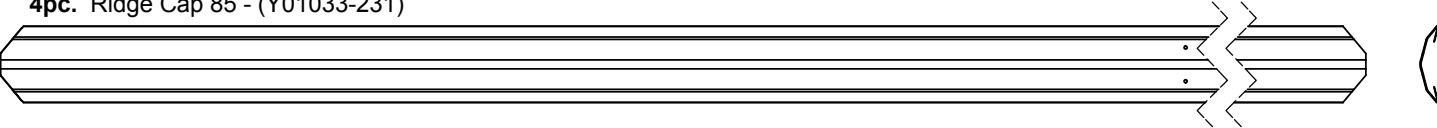
1pc. - Roof Panel Set
(Y70833-233)



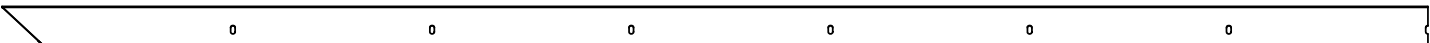
8pc. Ridge Clip 85.25 - (Y01033-227)



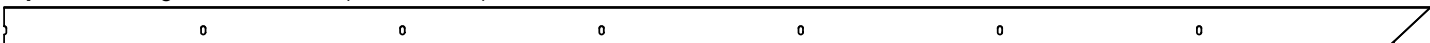
4pc. Ridge Cap 85 - (Y01033-231)



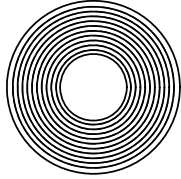
4pc. Roof Edge Right 59 7/16 - (Y01033-229)




4pc. Roof Edge Left 59-7/16 - (Y01033-228)




1pc. - Weather Seal Ridge Clip 85 1/4 (8Pk)
(Y70818-232)



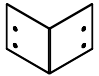
1pc. - 45° Twist Bracket LT Set (2Pk)
(Y70829-191)



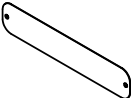
1pc. - 45° Twist Bracket RT Set (2Pk)
(Y70829-192)




1pc. - Corner Cap Set (4Pk)
(Y70833-226)



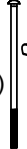
1pc. - Gazebo ID Plaque
(Y70800-104)



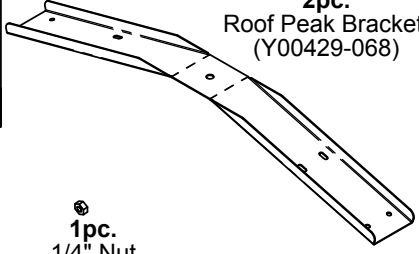
1pc. - Peak Post
(Y01000-094)




1pc. - Carriage Bolt
(Y07490-260)




2pc. - Roof Peak Bracket
(Y00429-068)



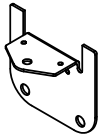
1pc. - Spring Clip
(Y09490-001)




1pc. - 1/4" Nut
(Y08490-200)




1pc. - Post Mount Set (8Pk)
(Y70819-109)




2pc. - 50mm Hook
(Y00418-050)




1pc. - Rafter/Beam Bracket Set (12Pk)
(Y70829-230)




1pc. - Peak Cap
(Y01033-095)



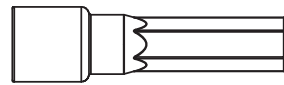
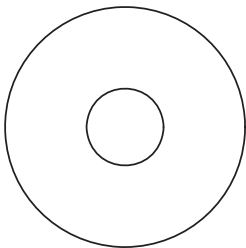
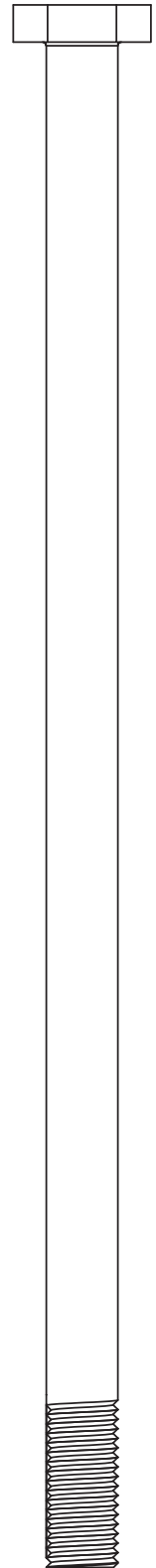
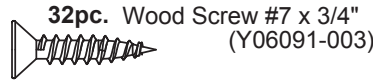
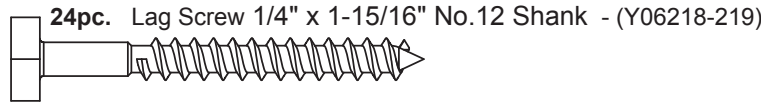
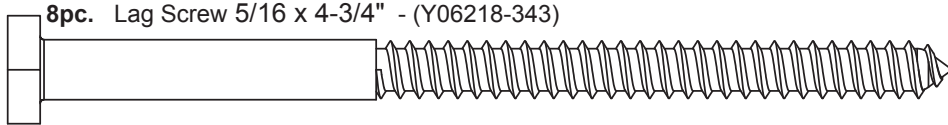
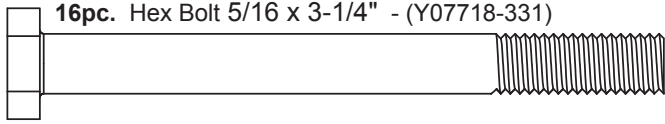
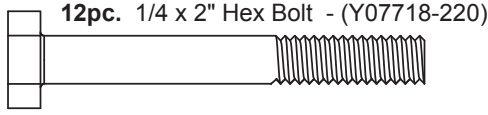
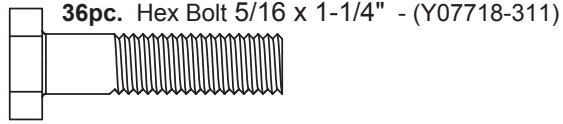
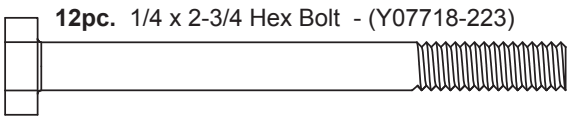
1pc. - Roof Peak Set
(Y70829-221)



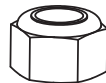
1pc. - Peak Loop
(Y20018-003)



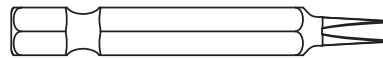
Hardware Identification (Dimensions are approximate and are shown to assist in the identification of parts for assembly. Actual dimensions may be smaller or larger.)



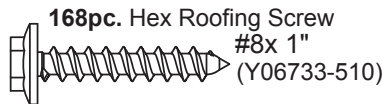
1pc. - Hex Driver (Y00400-004)



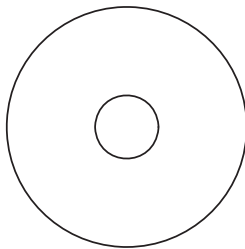
8pc. - 3/8" Lock Nut (Y08318-803)



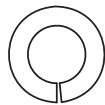
1pc. #2 x 2" Robertson Driver (Y00400-005)



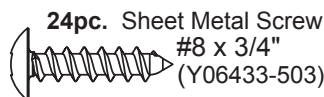
168pc. Hex Roofing Screw #8 x 1" (Y06733-510)



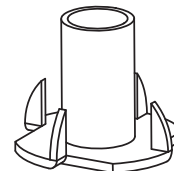
132pc. 1/4-5/16 x 1-1/4" Large Washer (Y05118-311)



52pc. 5/16" Lock Washer (Y05318-300)



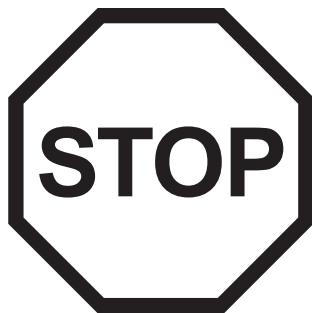
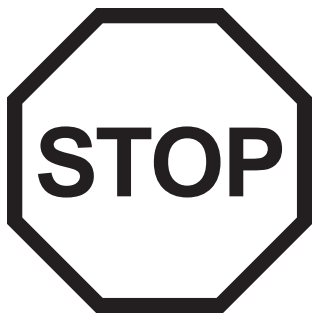
24pc. Sheet Metal Screw #8 x 3/4" (Y06433-503)



52pc. 5/16 - T-Nut (Y08518-300)

8pc. Hex Bolt 3/8 x 8-1/2" (Y07718-882)

Step 1: Inventory Parts - Read This Before Starting Assembly



- A.** This is the time for you to inventory all your hardware, wood and accessories, referencing the parts identification sheets. This will assist you with your assembly.
- Each step indicates which bolts and/or screws you will need for assembly, as well as any flat washers, lock washers, t-nuts or lock nuts.
- B.** If there are any missing or damaged pieces or you need assistance with assembly please contact the consumer relations department directly. Call us before going back to the store.

1-888-509-4382

support@yardistrystructures.com

- C.** Read the assembly manual completely, paying special attention to ANSI warnings; notes; and safety/maintenance information on pages 1 - 4.
- Follow the instructions in order.
 - This structure is designed to be assembled and installed ideally by four people, DO NOT attempt to install alone.
 - Consider the slope of elevation where you plan to install the structure. Also, check for gas, telephone, other utilities or sprinkler line locations prior to excavating any holes.
- D.** Before you discard your cartons fill out the form below.
- The carton I.D. stamp is located on the end of each carton.
 - Please retain this information for future reference. You will need this information if you contact the Consumer Relations Department.

PRODUCT NUMBER: YM11756

CARTON I.D. STAMP: _ _ _ _ _ (Box 1)

CARTON I.D. STAMP: _ _ _ _ _ (Box 2)

CARTON I.D. STAMP: _ _ _ _ _ (Box 3)

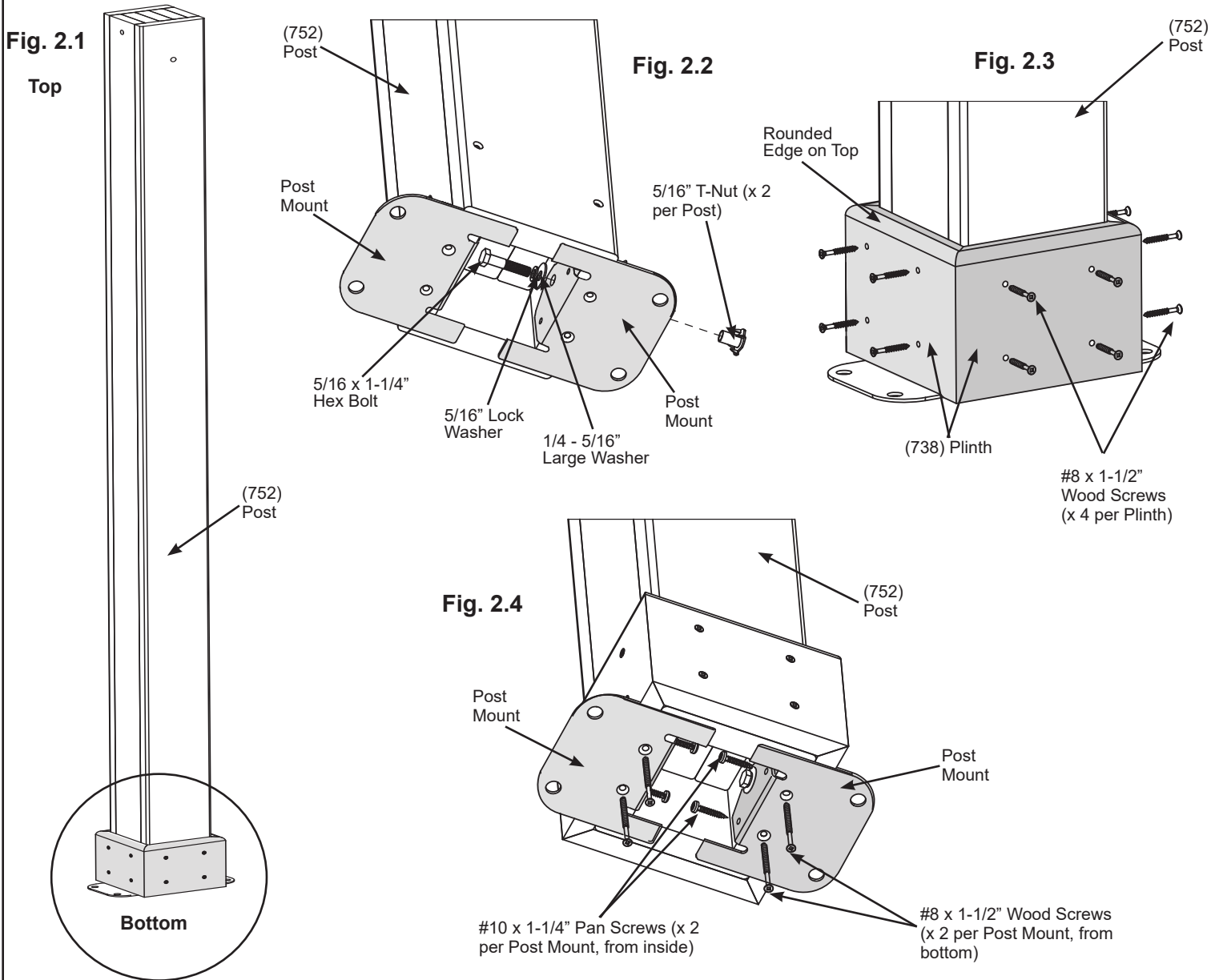
Step 2: Post Assemblies

A: At the bottom of each (752) Post insert two 5/16" T-Nuts as shown in fig. 2.1 and 2.2.

B: At the bottom of each (752) Post place two Post Mounts tight to the bottom and inside faces as shown in fig. 2.1 and 2.2. Loosely attach with one 5/16 x 1-1/4" Hex Bolt (with 5/16" lock washer and 1/4-5/16" large washer) per mount so they connect to the T-Nuts.

C: On each side of the Posts, place one (738) Plinth flush to the bottom and attach with four #8 x 1-1/2" Wood Screws per plinth. Rounded edges on top. (fig. 2.1 and 2.3)

D: From the bottom of each Post Mount attach to posts with two #8 x 1-1/2" Wood Screws per mount and then from the inside with two #10 x 1-1/4" Pan Screws per mount. These screws are installed at a slight angle. Tighten all bolts. There will be four Post Assemblies. (fig. 2.4)



Wood Parts

4 x (752) Post
16 x (738) Plinth

Hardware

16 x #10 x 1-1/4" Pan Screw
80 x #8 x 1-1/2" Wood Screw
8 x Post Mount
8 x 5/16" T-Nut
8 x 5/16 x 1-1/4" Hex Bolt (with 5/16" lock washer, 1/4-5/16" large washer)

Step 3: Beam Assembly Part 1

A: Connect one (725) Left Outside Beam and one (726) Right Outside Beam using two 5/16 x 1-1/4" Hex Bolts (with 5/16" lock washer, 1/4 - 5/16" large washer and 5/16" t-nut) as shown in fig. 3.1 and 3.2.

B: Connect one (727) Inside Short Beam to each end of one (728) Inside Long Beam using two 5/16 x 1-1/4" Hex Bolts (with 5/16" lock washer, 1/4 - 5/16" large washer and 5/16" t-nut) per end as shown in fig. 3.1 and 3.2.

C: Repeat Steps A and B three more times to make four Outside Beam Assemblies and four Inside Beam Assemblies.

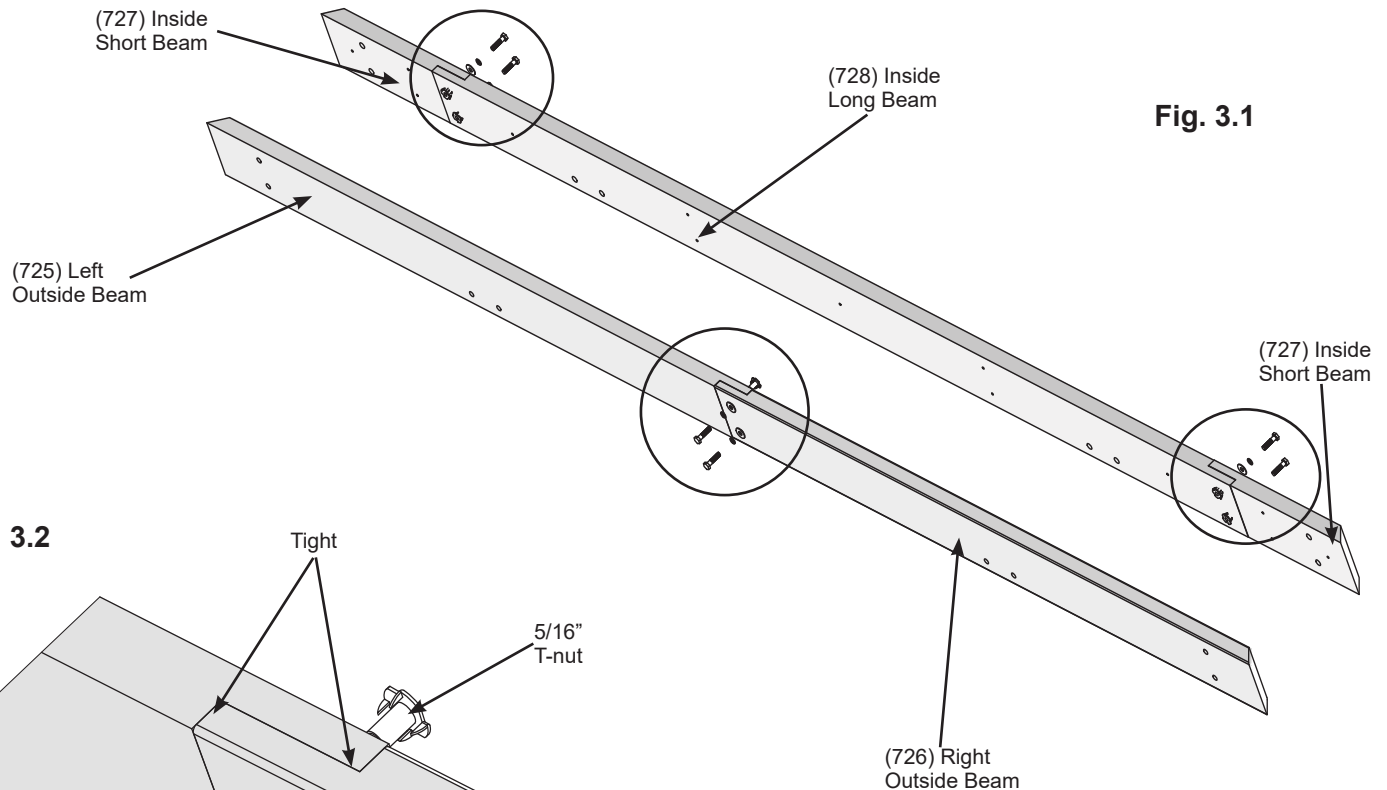


Fig. 3.1

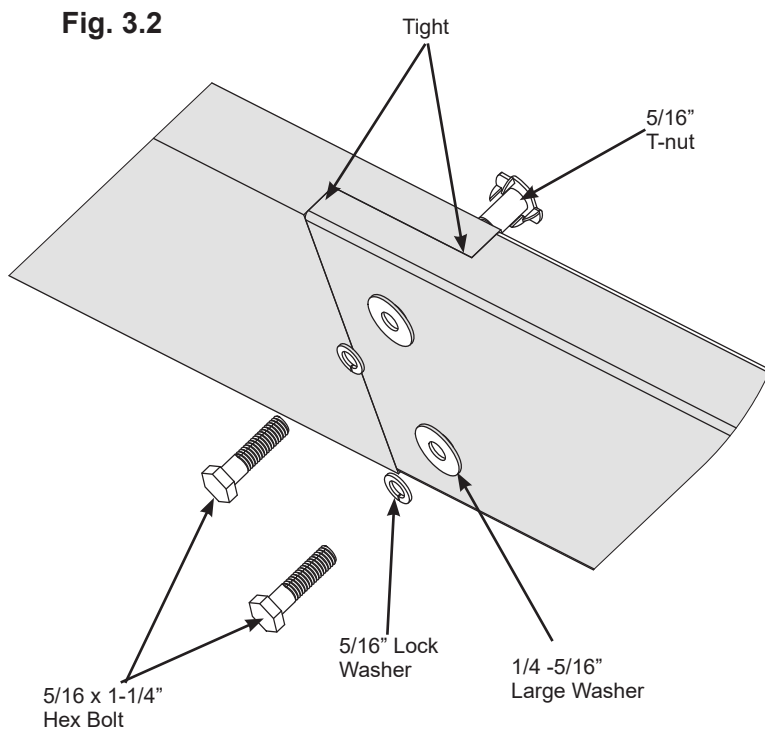


Fig. 3.2

Make sure bolt heads are on the outside of each Beam Assembly

Wood Parts

- 4 x (725) Left Outside Beam
- 4 x (726) Right Outside Beam
- 8 x (727) Inside Short Beam
- 4 x (728) Inside Long Beam

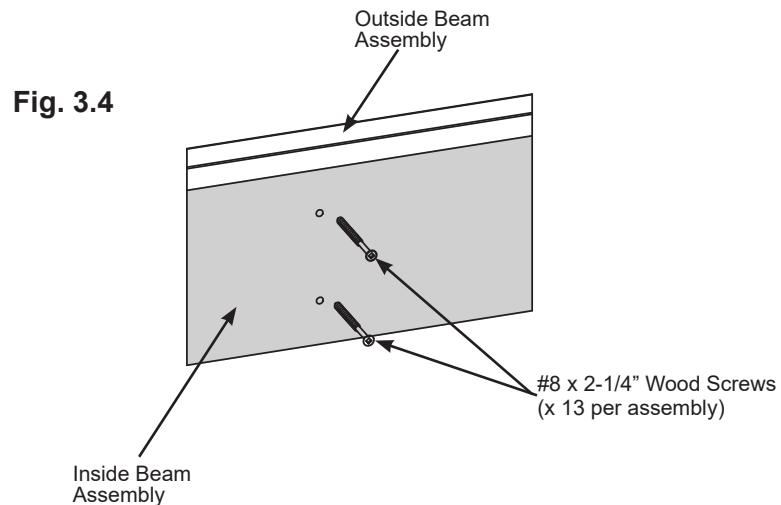
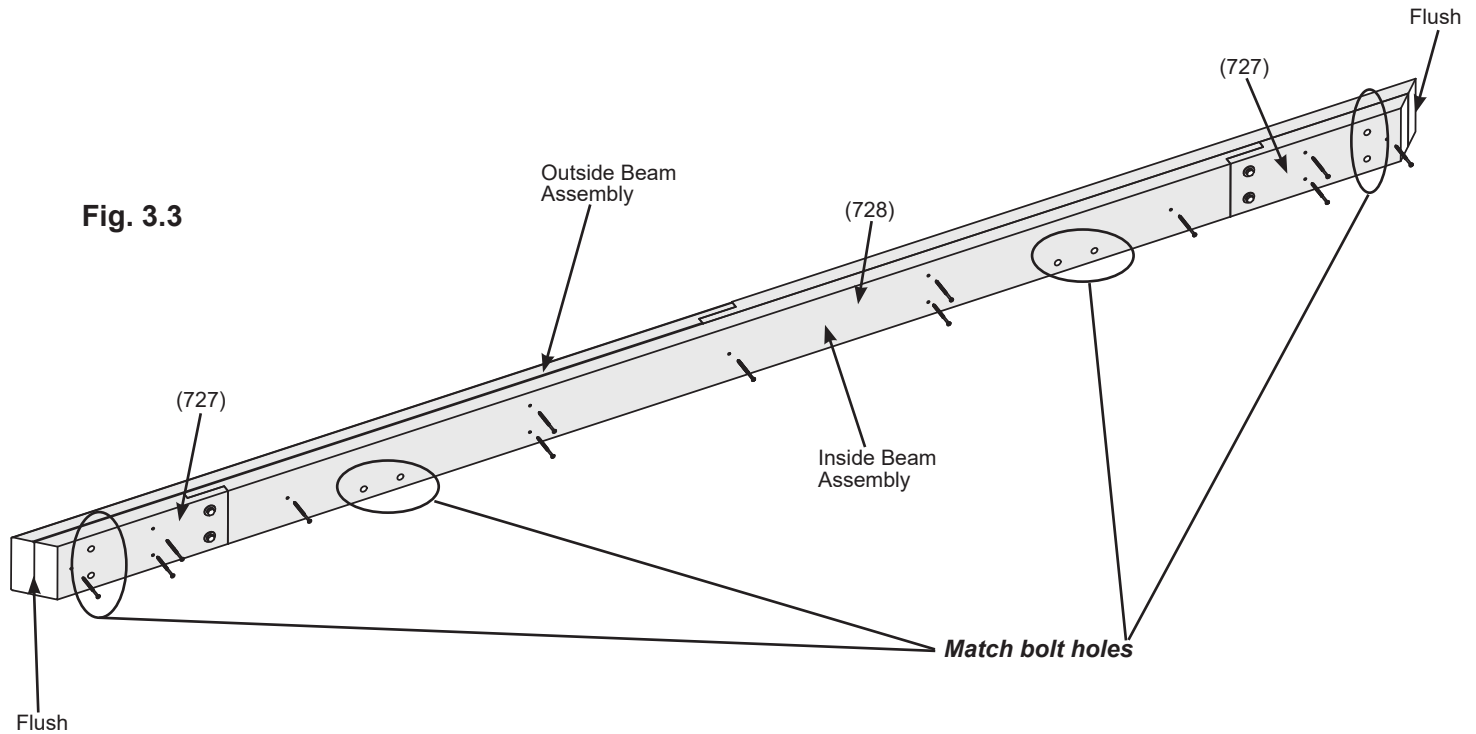
Hardware

- 24 x 5/16 x 1-1/4" Hex Bolt
(5/16" lock washer, 1/4-5/16" large washer, 5/16" t-nut)

Step 3: Beam Assembly Part 2

D: Place one Outside Beam Assembly on one Inside Beam Assembly so the ends are flush. Match the bolt holes in each (727) Inside Short Beam and (728) Inside Long Beam with the bolt holes in (725) Left Outside Beam and (726) Right Outside Beam. Attach with 13 #8 x 2-1/4" Wood Screws. (fig. 3.3 and 3.4)

E: Repeat Step D three more times to make four Beam Assemblies.



Hardware

52 x #8 x 2-1/4" Wood Screw

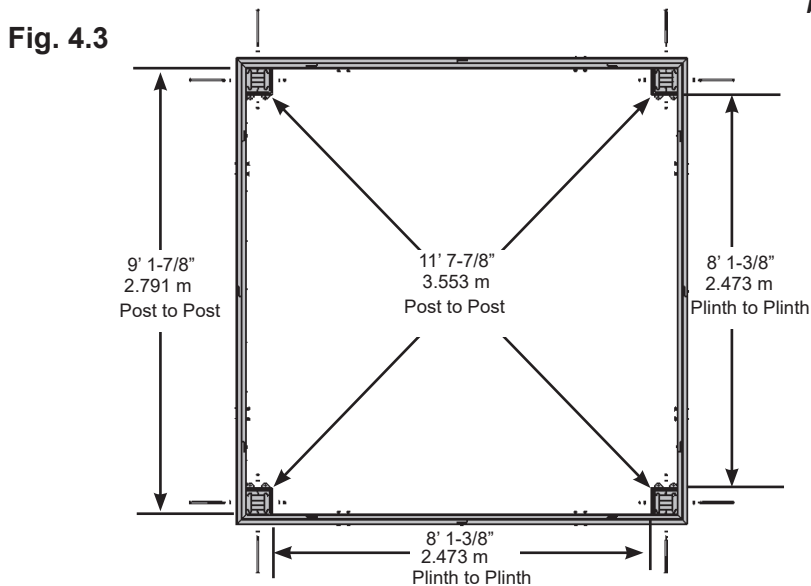
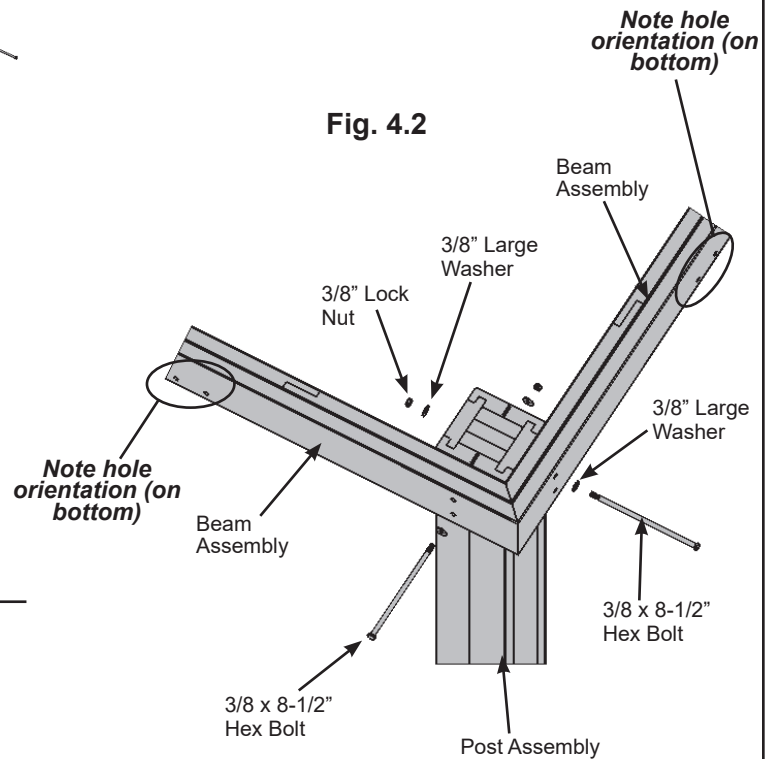
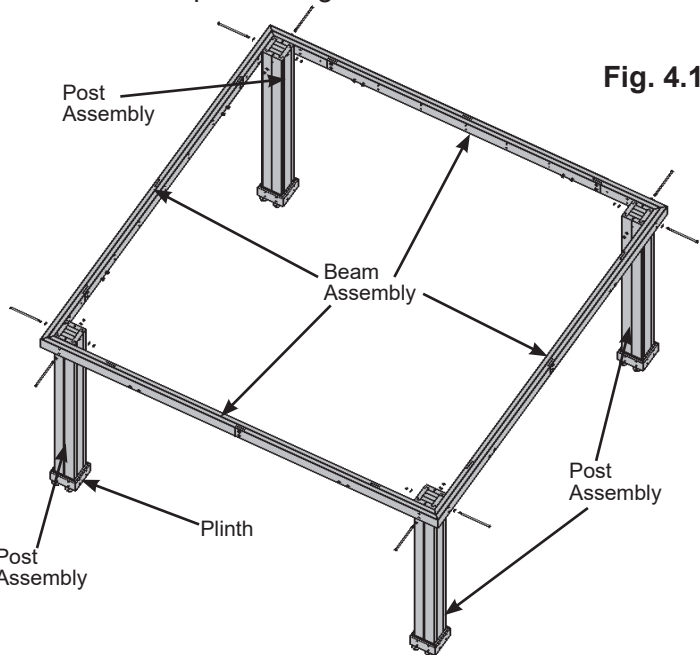
Step 4: Frame Assembly and Anchoring Part 1



A: Move your Post Assemblies to the final location. Make sure the ground is flat and level before continuing assembly.

B: With one person at each Post stand two complete Post Assemblies. A third person places one Beam Assembly against the outside of each Post, flush to the tops and outside corners. Notice bolt hole orientation on the Beam Assembly. A fourth person attaches Beam to Post with one 3/8 x 8-1/2" Hex Bolt (with two 3/8" large washers and one 3/8" lock nut) per Post. The distance from the outside of one Post to the outside of the second Post should be 9' 1-7/8" (2.791 m). (fig. 4.1, 4.2 and 4.3)

C: Continue until all four Beam Assemblies are attached and the corners are tight together. (fig. 4.1 and 4.2) See fig. 4.3 for accurate positioning of Posts.



Hardware

8 x 3/8 x 8-1/2" Hex Bolt (3/8" large washer x 2, 3/8" lock nut)

Step 4: Frame Assembly and Anchoring Part 2

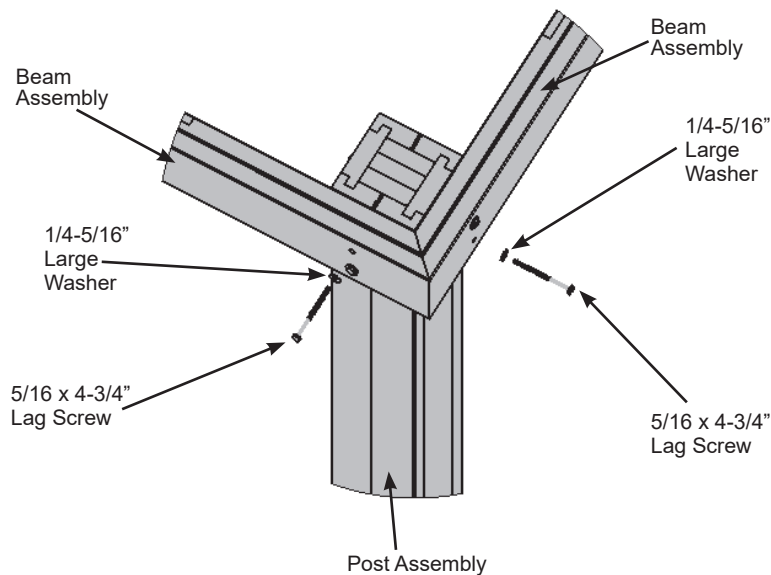


D: Make sure each corner is square and level then attach Beam Assemblies to Post Assemblies with two 5/16 x 4-3/4" Lag Screws (with 1/4-5/16" large washer) per corner. (fig. 4.4)

E: Depending on what you are placing the Gazebo on will determine how you anchor it to that surface. Please refer to pages 6 and 7 for installation examples.

Any hardware or extra materials for mounting will have to be purchased in advance.

Fig. 4.4



Hardware

8 x 5/16 x 4-3/4" Lag Screw (1/4-5/16" large washer)

Step 5: Attach Gussets



Note: The bevelled ends on each gusset should always face away from the wood it is attaching to.

A: Make sure the assembly is still square and level then facing one Beam Assembly place one (740) Short Right Gusset on the right hand side so the top fits tight to the Beam Assembly and the bottom fits tight to the Post Assembly. Attach gusset to Beam Assembly with two 5/16 x 3-1/4" Hex Bolts (with 5/16" lock washer, 1/4-5/16" large washer and 5/16" t-nut) and to Post Assembly with three 1/4 x 1-15/16" Hex Lags (with 1/4-5/16" large washer). (fig. 5.1, 5.2 and 5.3)

B: Repeat Step A on the left hand side with one (739) Short Left Gusset. (fig. 5.1, 5.2 and 5.3)

C: Repeat Steps A and B for each Beam Assembly/Post Assembly. (fig. 5.1, 5.2 and 5.3)

Fig. 5.1

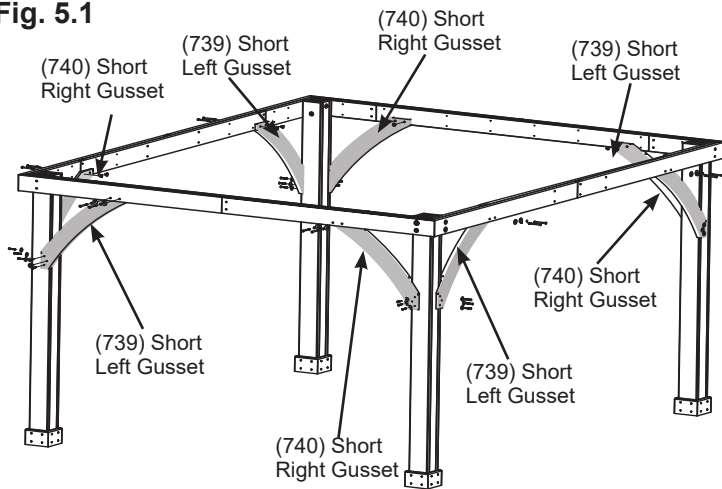


Fig. 5.2

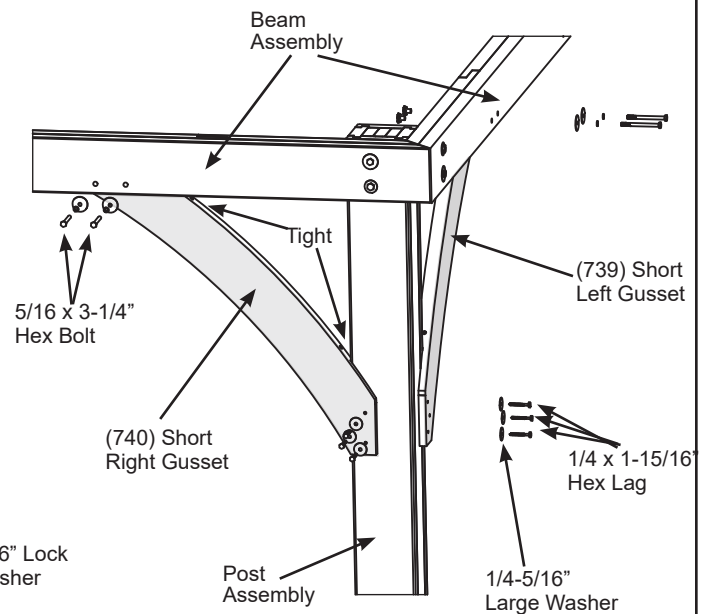
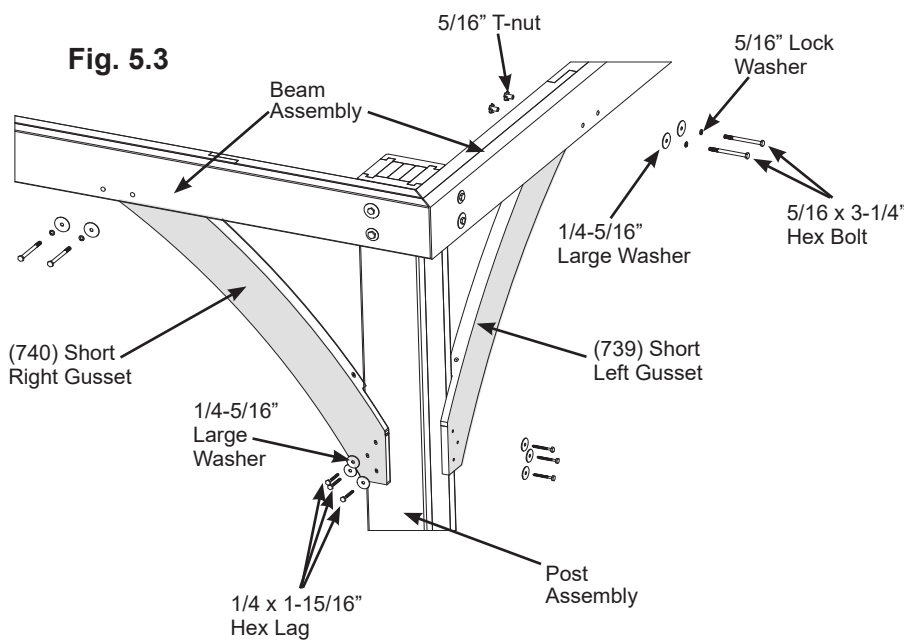


Fig. 5.3



Wood Parts

- 4 x (740) Short Right Gusset
- 4 x (739) Short Left Gusset

Hardware

- 24 x 1/4 x 1-15/16" Hex Lag (1/4-5/16" large washer)
- 16 x 5/16 x 3-1/4" Hex Bolt (5/16" lock washer, 1/4-5/16" large washer, 5/16" t-nut)

Step 6: Fascia Beam Assembly

A: Tightly connect one (731) Fascia Left Short and one (730) Fascia Right Short using one 5/16 x 1-1/4" Hex Bolt (with 5/16" lock washer, 1/4-5/16" large washer and 5/16" t-nut) as shown in fig. 6.1 and 6.2.

B: Repeat Step A three more times to make four Fascia Beam Assemblies.

Fig. 6.1

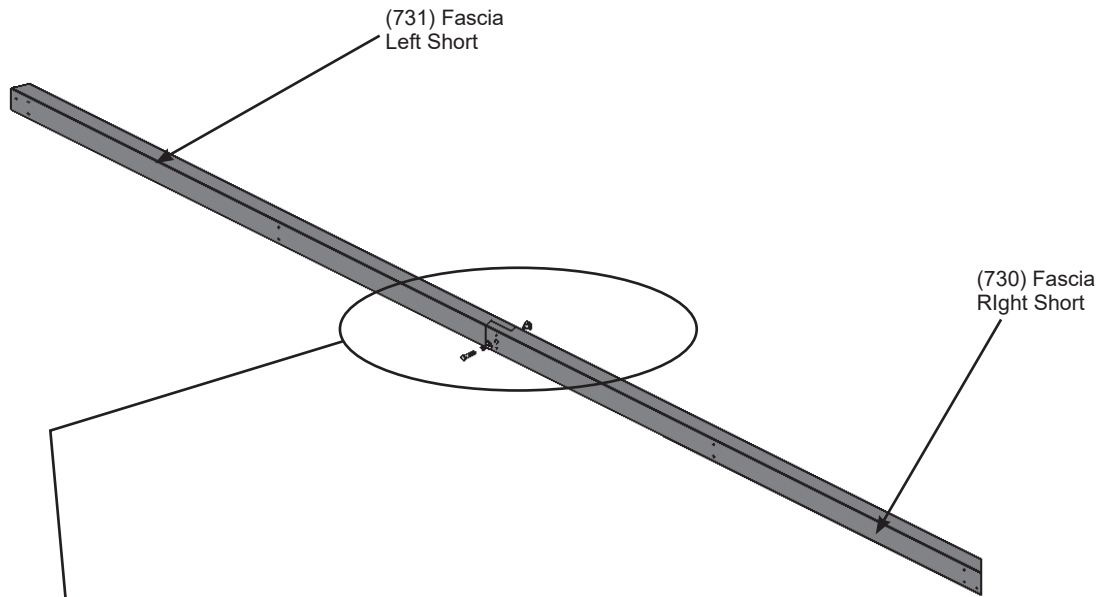
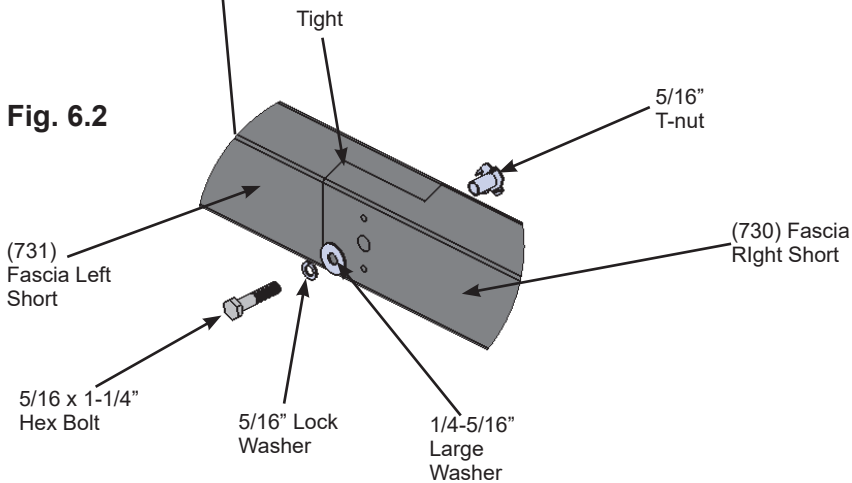


Fig. 6.2



Wood Parts

- 4 x (731) Fascia Left Short
- 4 x (730) Fascia Right Short

Hardware

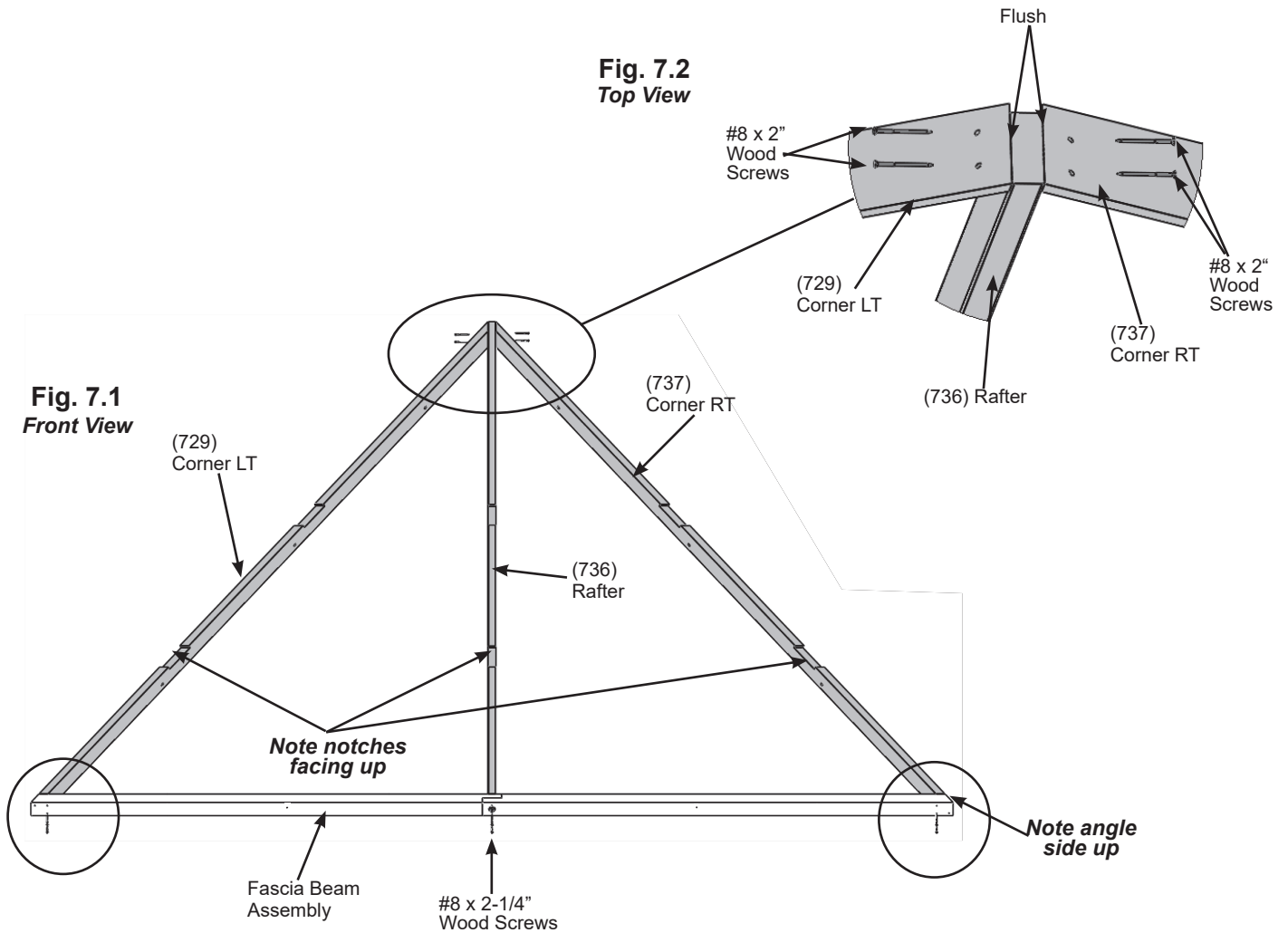
- 4 x 5/16 x 1-1/4" Hex Bolt
(5/16" lock washer, 1/4-5/16" large washer, 5/16" t-nut)

Step 7: Roof Rafter Assembly Part 1

A: On each side of one (736) Rafter place one (729) Corner LT and one (737) Corner RT so the tops and edges are flush then attach with two #8 x 2" Wood Screws per side. (Fig. 7.1 and 7.2)

B: Place Fascia Beam Assembly from Step 6 on the bottom of (729) Corner LT, (737) Corner RT and (736) Rafter so the sides are flush then attach with one #8 x 2" Wood Screw at each end and one #8 x 2-1/4" Wood Screw in the middle. (fig. 7.1 and 7.3)

C: Repeat Steps A and B three more times to make four Roof Rafter Assemblies.



**Fig. 7.2
Top View**

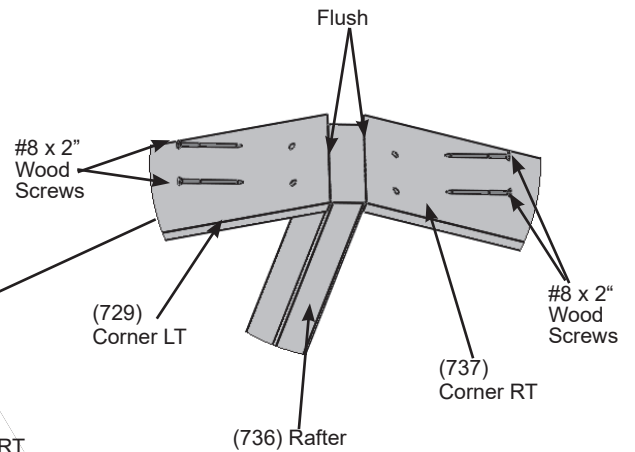
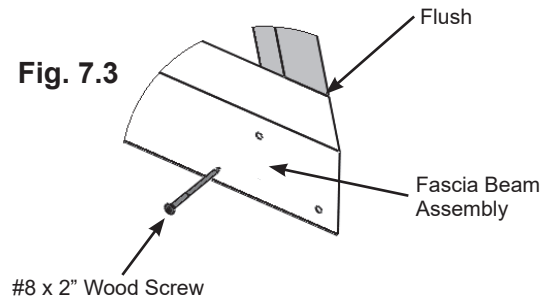


Fig. 7.3



Wood Parts

- 4 x (736) Rafter
- 4 x (729) Corner LT
- 4 x (737) Corner RT

Hardware

- 24 x #8 x 2" Wood Screw
- 4 x #8 x 2-1/4" Wood Screw

Step 7: Roof Rafter Assembly Part 2

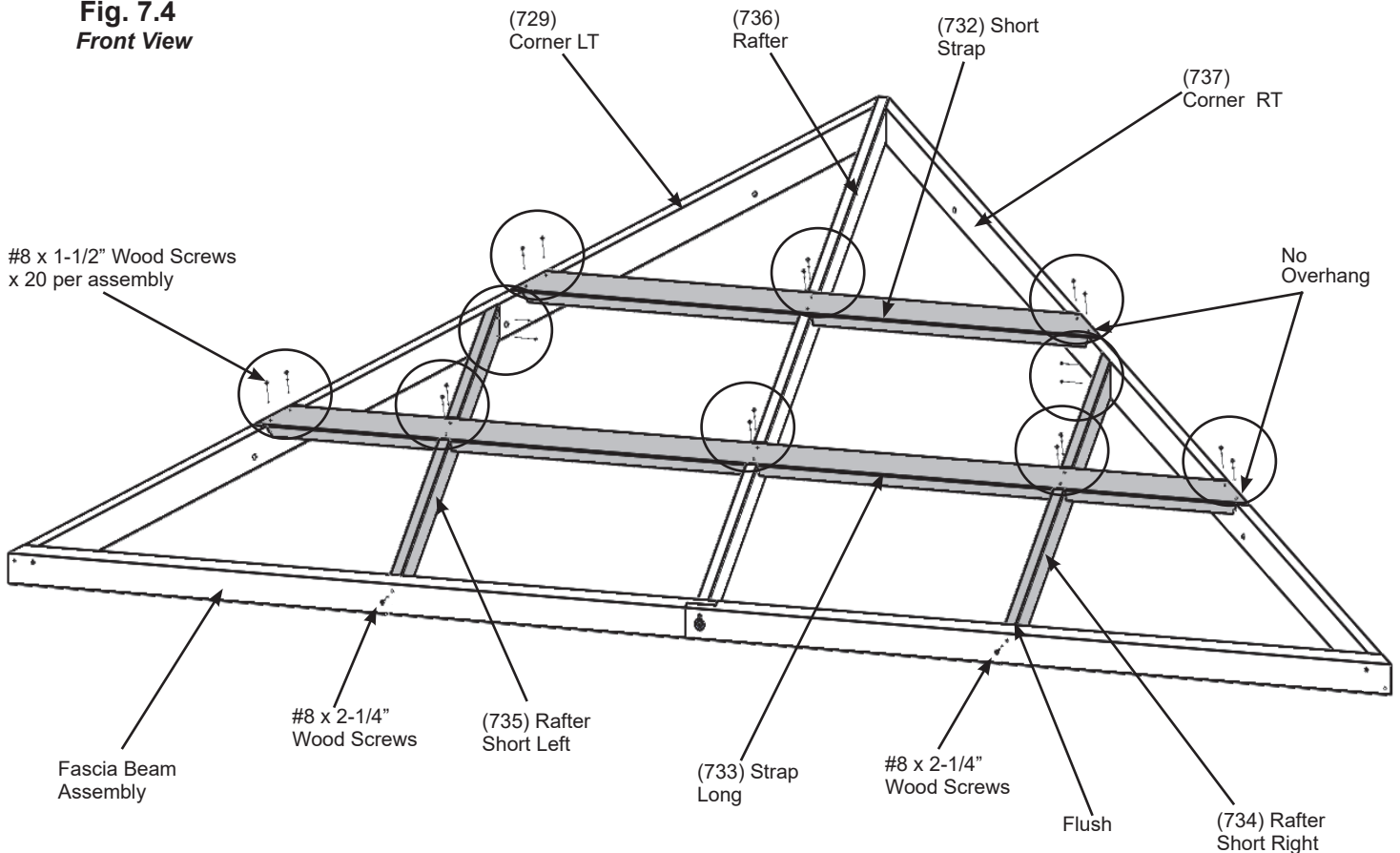
D: Place one (732) Short Strap in the notches of (729) Corner LT, (737) Corner RT and (736) Rafter so the ends do not overhang the outside edges of the outside boards then attach with six #8 x 1-1/2" Wood Screws. (Fig. 7.4)

E: Place one (733) Strap Long in the notches of (729) Corner LT, (737) Corner RT and (736) Rafter so the ends do not overhang the outside edges of the outside boards. Attach to (729) Corner LT, (737) Corner RT and (736) Rafter with six #8 x 1-1/2" Wood Screws. (fig. 7.4)

F: Place one (734) Rafter Short Right and one (735) Rafter Short Left in the notches of (733) Strap Long and attach as shown in fig. 7.4 with four #8 x 1-1/2" Wood Screws and two #8 x 2-1/4" Wood Screws per board.

G: Complete Steps D, E and F for all four Roof Rafter Assemblies.

Fig. 7.4
Front View



Wood Parts

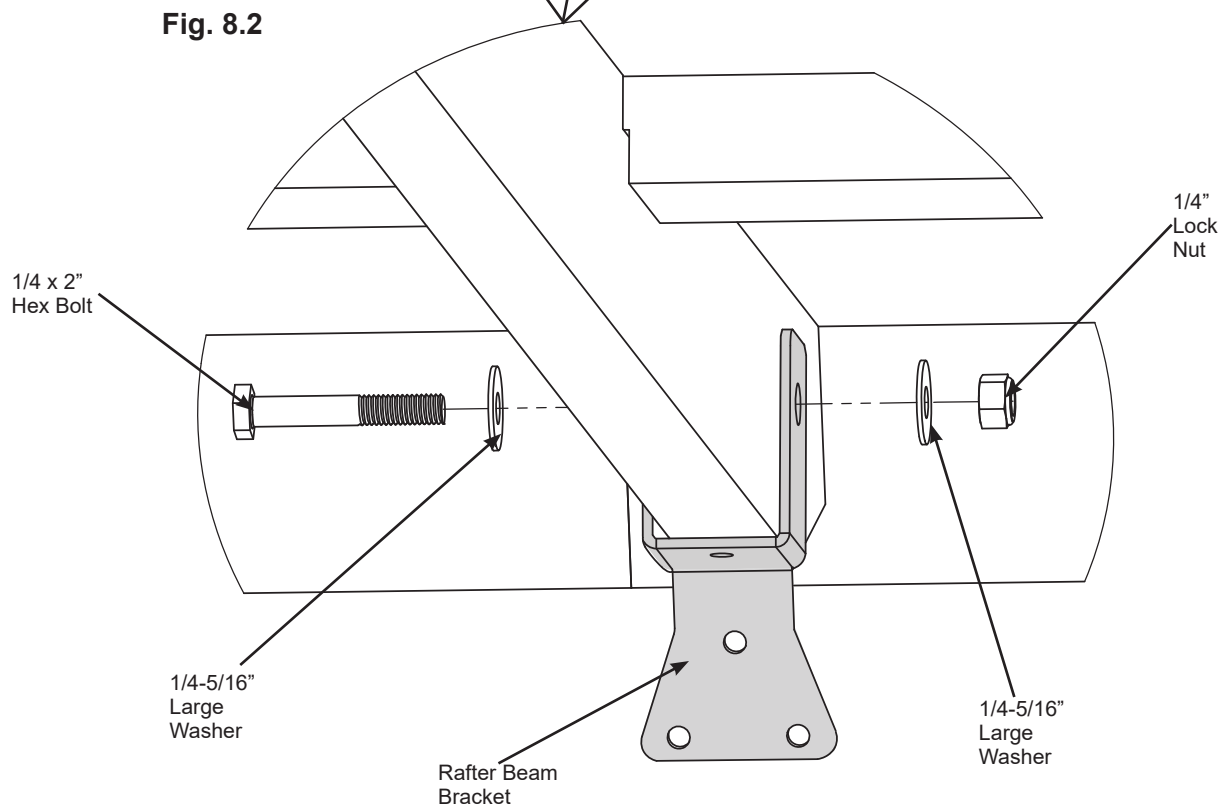
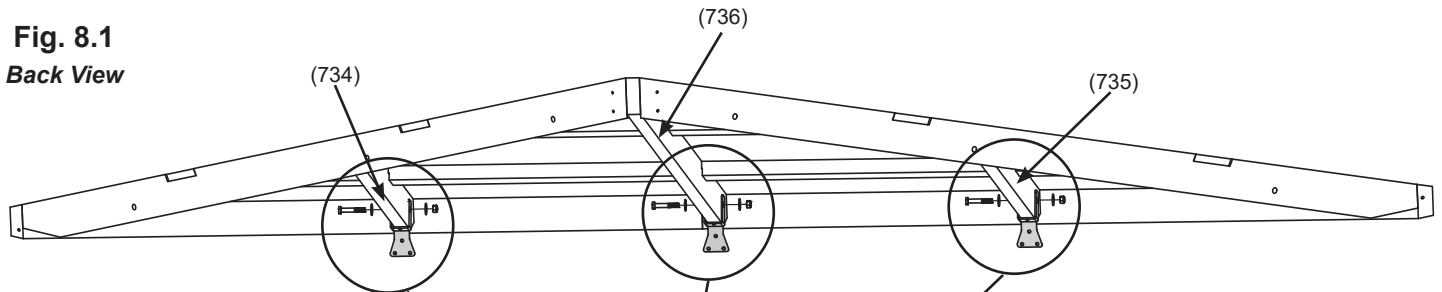
- 4 x (732) Short Strap
- 4 x (733) Strap Long
- 4 x (734) Rafter Short Right
- 4 x (735) Rafter Short Left

Hardware

- 80 x #8 x 1-1/2" Wood Screw
- 8 x #8 x 2-1/4" Wood Screw

Step 8: Attach Roof to Beam Brackets

A: On the back of three Roof Rafter Assemblies place one Rafter Beam Bracket on each (734) Rafter Short Right, (735) Rafter Short Left and (736) Rafter. Loosely attach each bracket to rafters with one 1/4 x 2" Hex Bolt (with two 1/4-5/16" large washers and one 1/4" lock nut). (fig. 8.1 and 8.2)

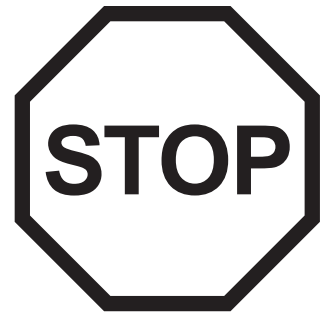
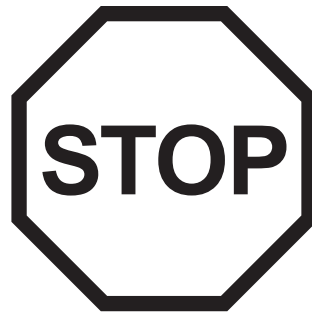
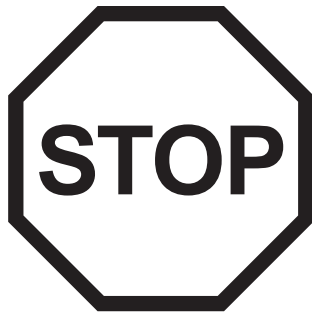
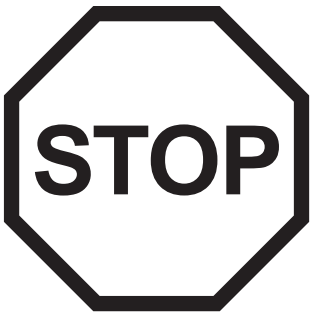


Components:

9 x Rafter Beam Bracket

Hardware

9 x 1/4 x 2" Hex Bolt
(1/4-5/16" large washer x 2, 1/4" lock nut)



INSTALLING ROOFING MATERIAL

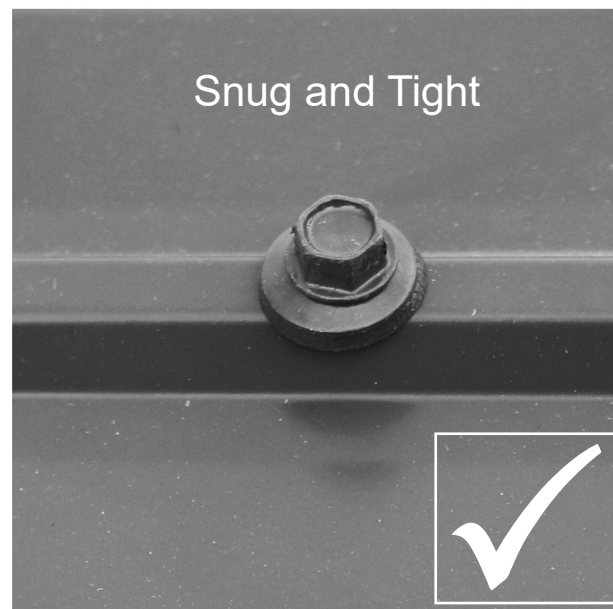
CAUTION!

Roofing material may have sharp edges! Wear gloves!

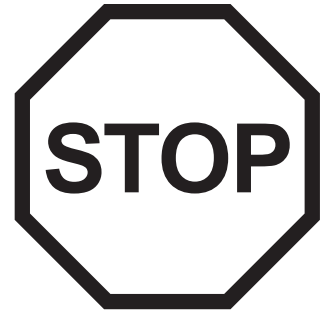
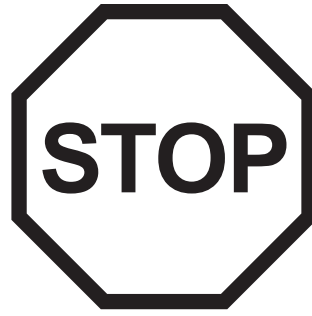
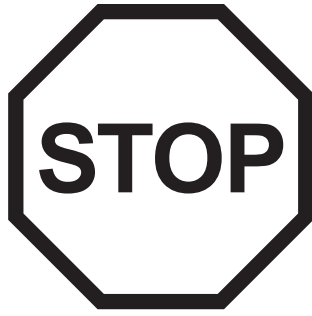
HANDLE WITH CARE!

Place roofing material on a non-abrasive surface before assembly as it can bend, dent and scratch easily.

**WARNING – DO NOT OVER TIGHTEN ROOFING SCREWS!
Over tightening screws will cause roofing material to crush.**



The roofing screws can easily crush the Roof Panels and Roof Edges when using a power drill. We recommend hand tightening the roofing screws so that they sit snug and tight to the roofing material.

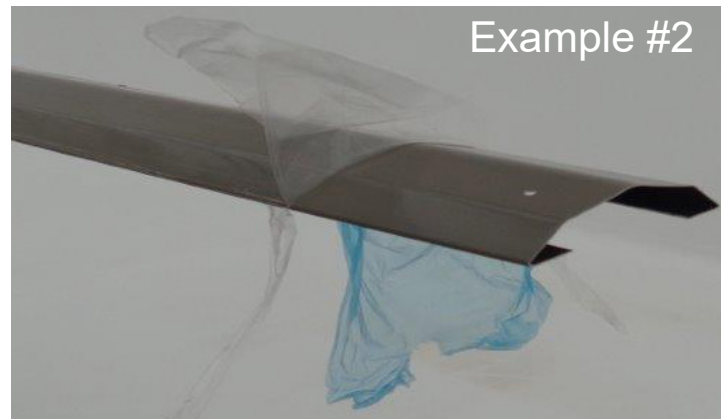
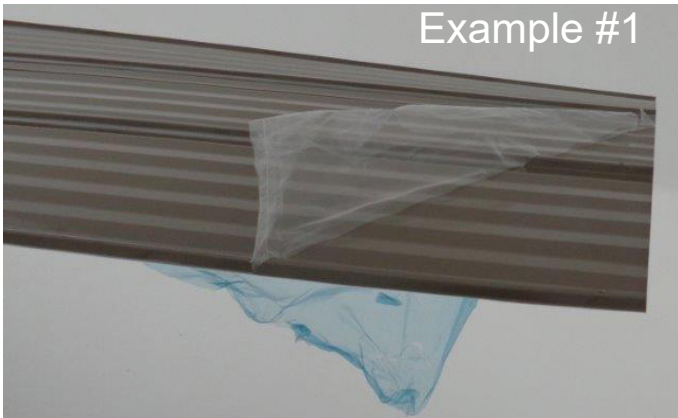


INSTALLING ROOFING MATERIAL

CAUTION!

Roofing material may have sharp edges! Wear gloves!

BE SURE TO REMOVE ALL PLASTIC COVERING, ON BOTH SIDES OF THE ALUMINUM PANELS AND TRIM, DIRECTLY BEFORE INSTALLING EACH PIECE. *(One side is clear and the other is blue, both must be removed.)*



Step 9: Attach Roof Panels

Part 1

A: Place one Long Panel Left on the front of one Roof Rafter Assembly so it is flush to the side of (729) Corner LT and a slight overhang at the bottom of the Fascia Beam Assembly. Holes should line up with (736) Rafter. (fig. 9.1 and 9.2)

B: Place one Long Panel Right on Roof Rafter Assembly so it overlaps the Long Panel Left and it is flush to the side of (737) Corner RT and a slight overhang at the bottom of the Fascia Beam Assembly. (fig. 9.1 and 9.2)

C: Attach both Left and Right Long Panels to Roof Rafter Assembly with four #8 x 1" Roofing Screws in locations shown in fig. 9.1. Be sure not to overtighten screws.

D: Repeat Steps A - C for all four Roof Rafter Assemblies.

DO NOT overtighten screws, could cause damage to roofing material

Fig. 9.2
Top, Side View

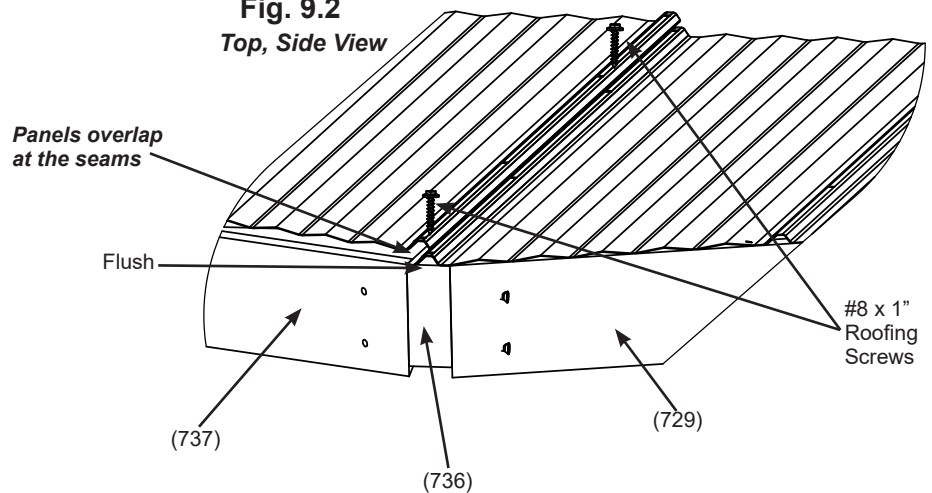
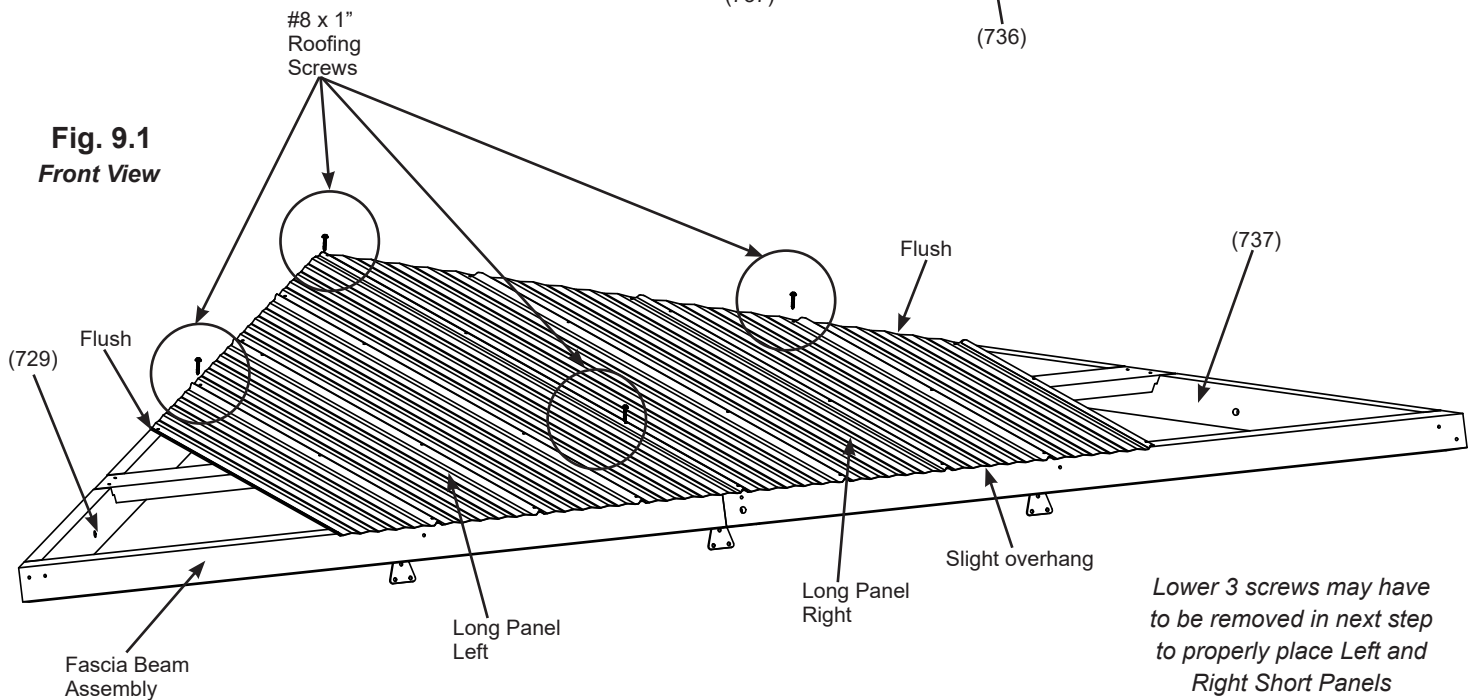


Fig. 9.1
Front View



Roof Parts

- 4 x Long Panel Left
- 4 x Long Panel Right

Hardware

- 16 x #8 x 1" Roofing Screw

Step 9: Attach Roof Panels Part 2

E: Place one Short Panel Left on Roof Rafter Assembly so it overlaps the Long Panel Left and it is flush to the sides of (729) Corner LT and a slight overhang at the bottom of the Fascia Beam Assembly. There should be no overhanging at the corners. (fig. 9.3 and 9.4)

F: Place one Short Panel Right on Roof Rafter Assembly so it overlaps the Long Panel Right and it is flush to the side of (737) Corner RT and a slight overhang at the bottom of the Fascia Beam Assembly. There should be no overhanging at the corners. (fig. 9.3 and 9.4)

G: Attach all panels to Roof Rafter Assembly with 25 #8 x 1" Roofing Screws in locations shown in fig. 9.3. Do not place any screws along the bottom row. Be sure not to overtighten screws.

H: Repeat Steps E - G for all four Roof Rafter Assemblies.

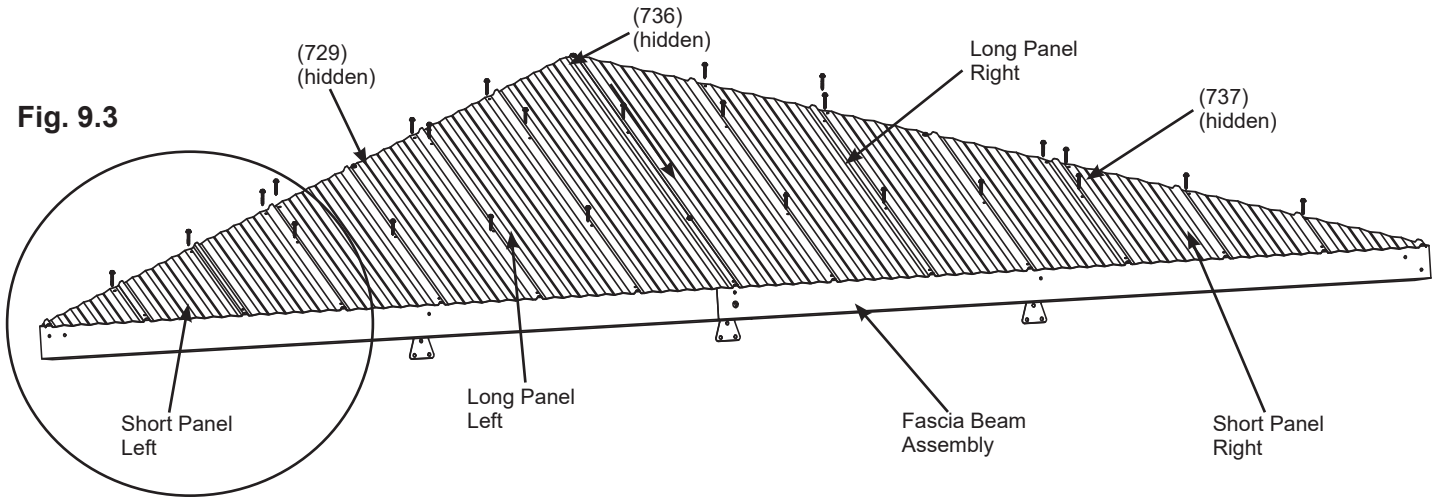


Fig. 9.3

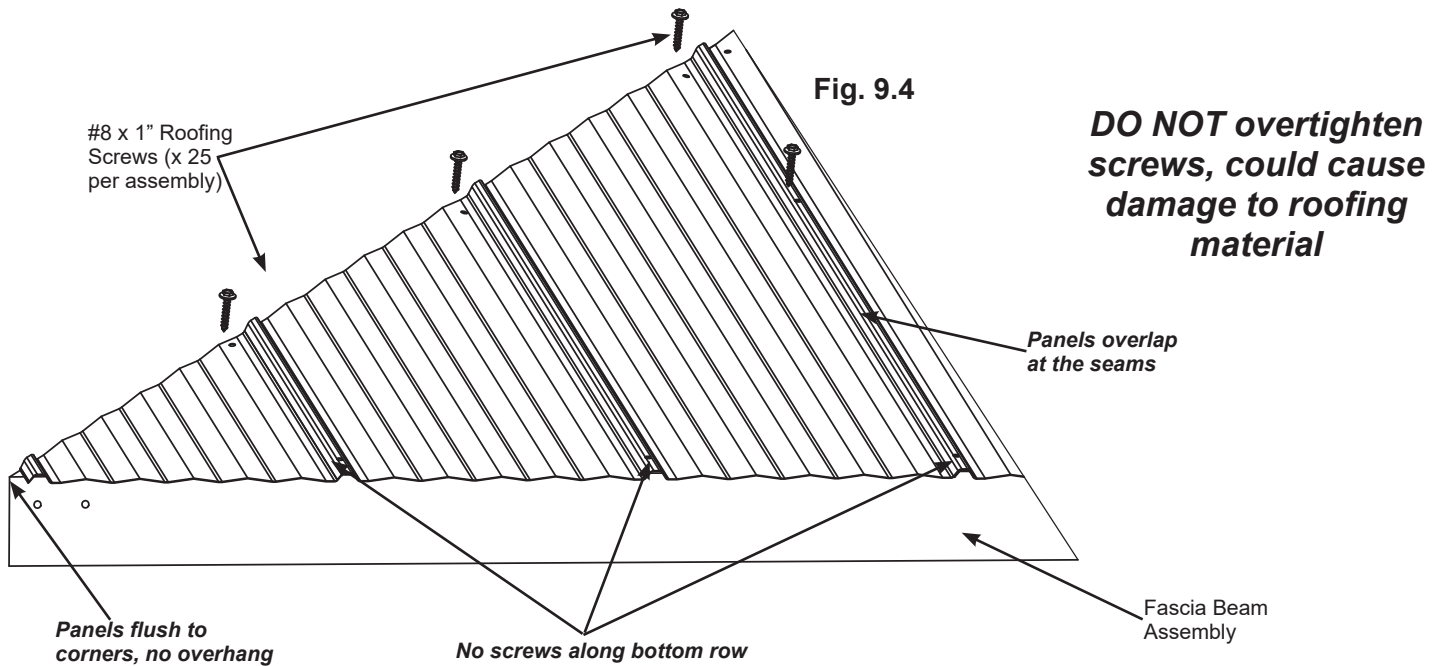


Fig. 9.4

DO NOT overtighten screws, could cause damage to roofing material

Roof Parts

- 4 x Short Panel Left
- 4 x Short Panel Right

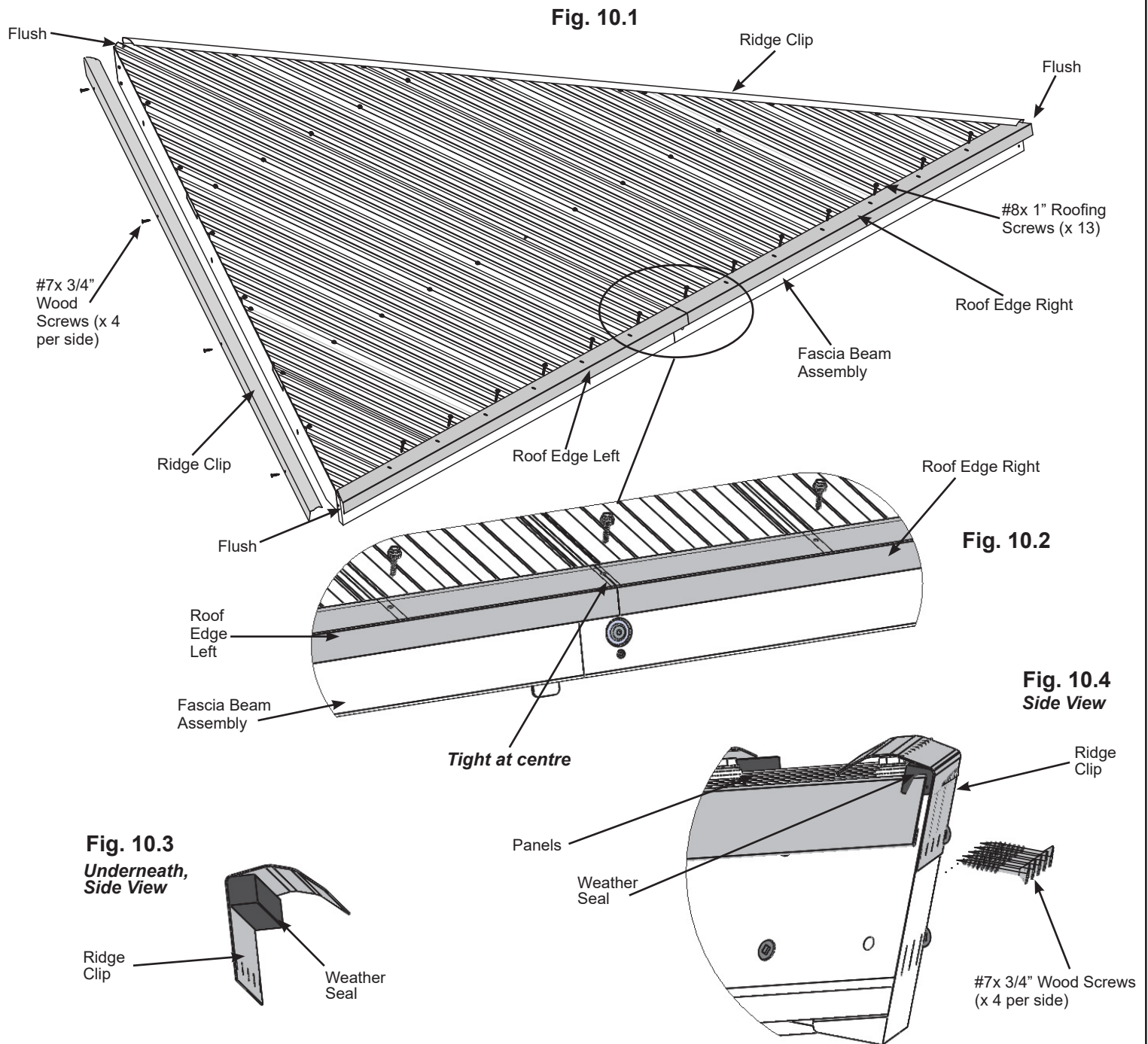
Hardware

- 100 x #8 x 1" Roofing Screw

Step 10: Attach Ridge Clips and Roof Edges

A: Place one Roof Edge Left and one Roof Edge Right on the bottom of each Roof Rafter Assembly so the ends are flush with the outside ends of the Fascia Beam Assembly and meet tight in the centre. Attach both Roof Edges with 13 #8 x 1" Roofing Screws per Roof Rafter assembly. (fig. 10.1 and 10.2)

B: Place one Weather Seal on the inside of each Ridge Clip then place one Ridge Clip on each side of each Roof Rafter Assembly so they cover the panels and attach with four #7 x 3/4" Wood Screws per Ridge Clip. (fig. 10.1, 10.3 and 10.4)



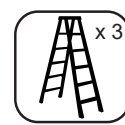
Components:

- 4 x Roof Edge Left
- 4 x Roof Edge Right
- 8 x Ridge Clip
- 8 x Weather Seal

Hardware

- 52 x #8 x 1" Roofing Screw
- 32 x #7 x 3/4" Wood Screw

Step 11: Attach Roof Panels to Frame Part 1



A: From inside of Post Assemblies measure 4' 1-7/16" (1.26 m) to mark the centre of each Beam Assembly. (fig. 11.1)

B: With all four assemblers place one Roof Panel Assembly with Rafter Beam Brackets just in front of the Post Assemblies then raise it up so the middle Rafter Beam Bracket is lined up with the centre mark. (fig. 11.1 and 11.2)

Fig. 11.1

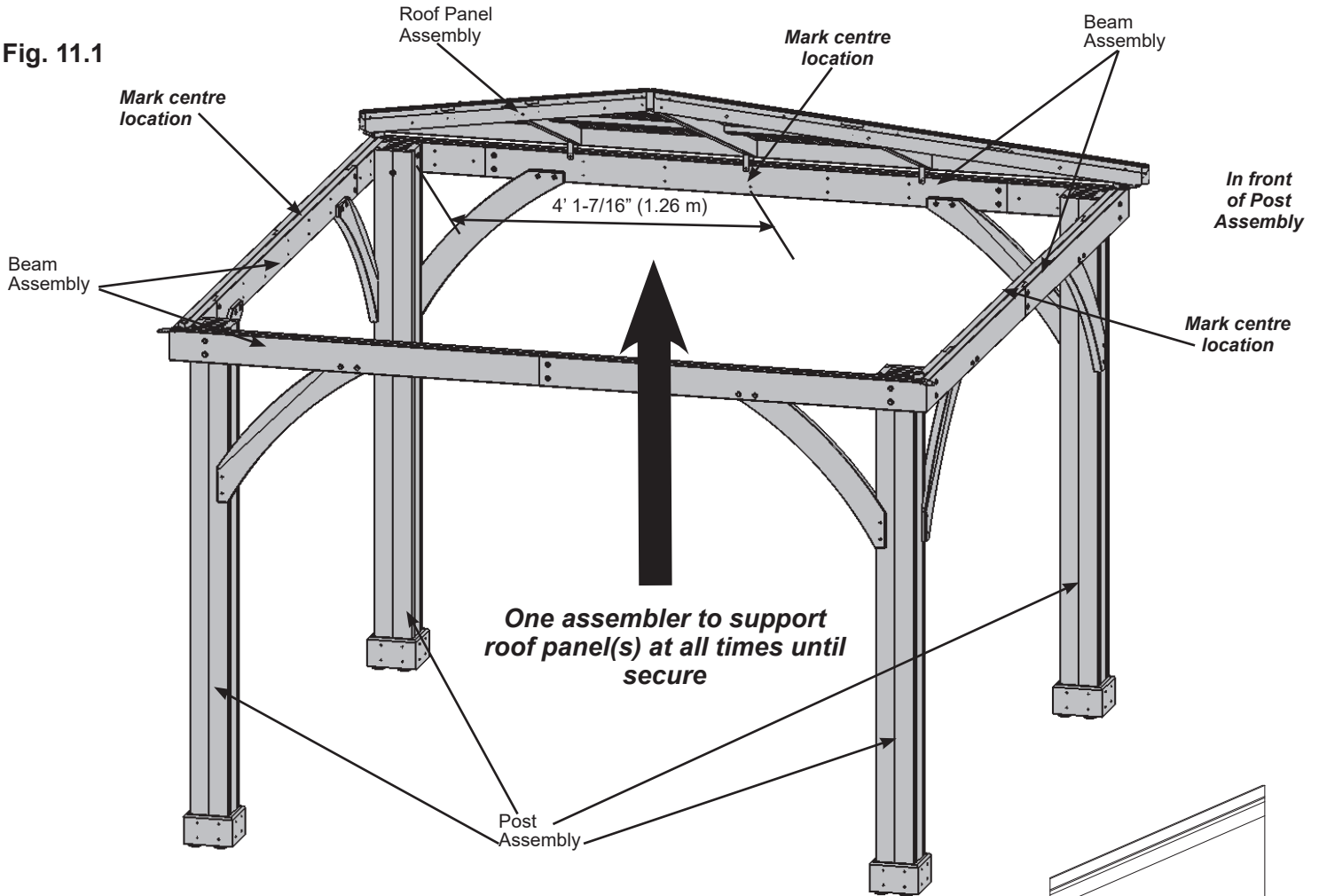
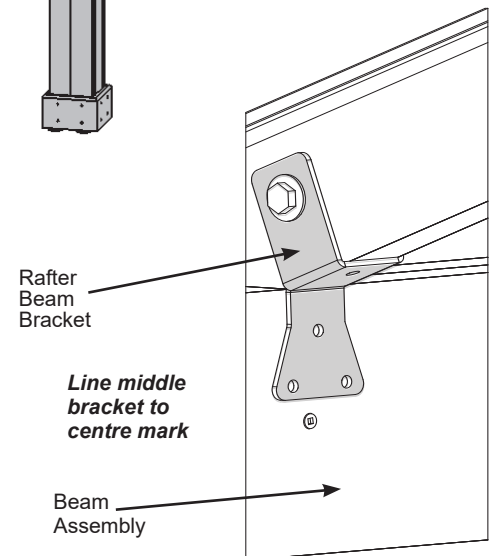
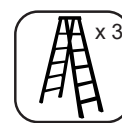


Fig. 11.2



Step 11: Attach Roof Panels to Frame Part 2



C: Lift a second Roof Panel Assembly with Rafter Beam Brackets over Beam Assembly taking care not to drag the panel on the beams. Make sure the middle Rafter Beam Bracket lines up to the centre mark and (729) Corner LT and (737) Corner RT are flush with each other. **One person must remain on the centre ladder to hold both panels in place until three panels are up and secure.** (fig. 11.2, 11.3 and 11.4)

D: Starting at the bottom and working up connect Roof Panel Assemblies through (729) Corner LT and (737) Corner RT with three 1/4 x 2-3/4" Hex Bolts (with two 1/4-5/16" large washers and one 1/4" lock nut). To align bolt holes helper in the centre may have to push up the centre of the panels and others make sure corners are aligned. Make sure all bolts are tight. (fig. 11.2 and 11.5)

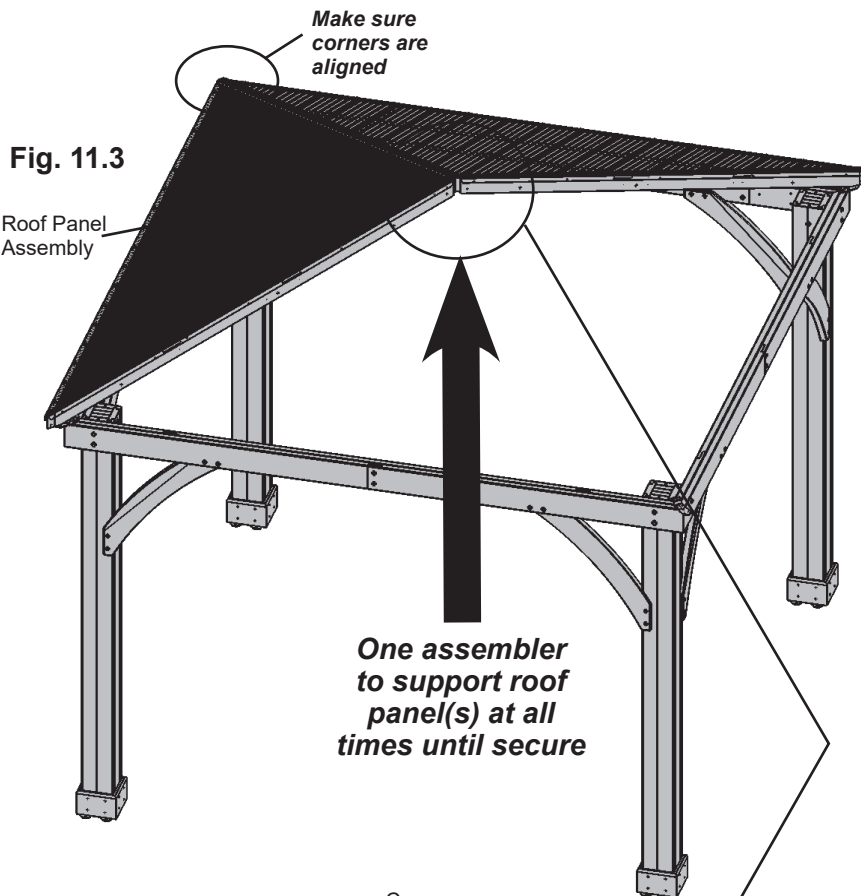


Fig. 11.3

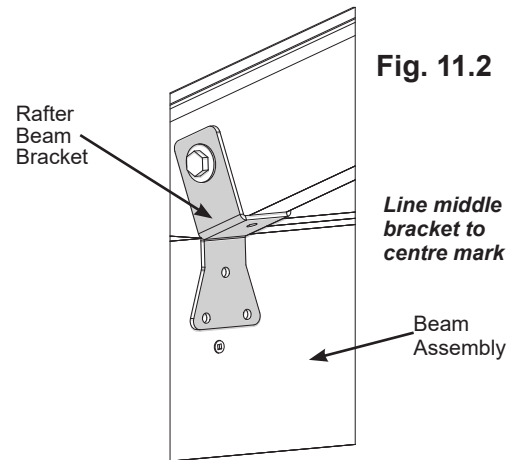


Fig. 11.2

One assembler to support roof panel(s) at all times until secure

Fig. 11.5

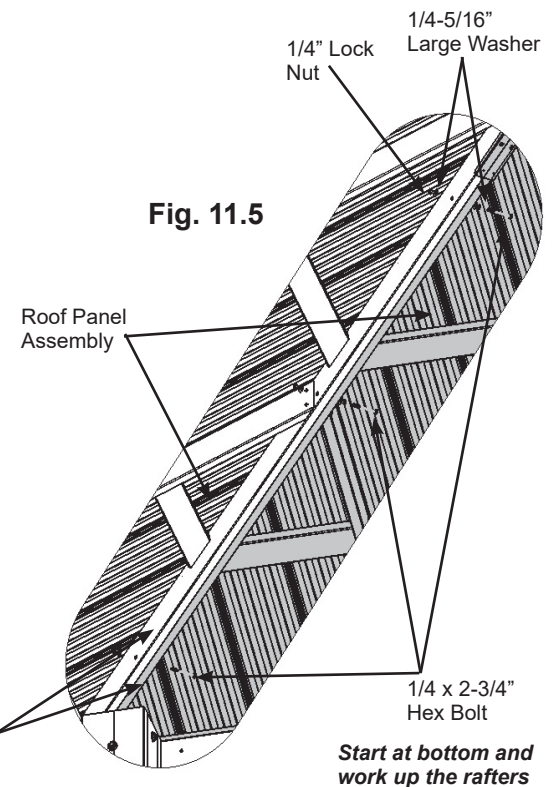
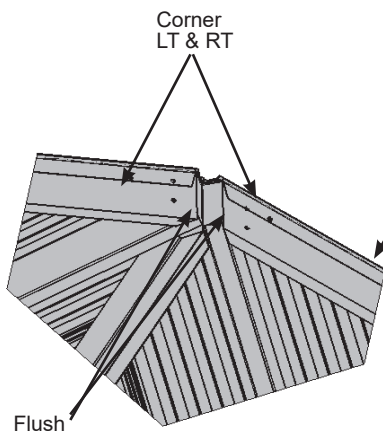


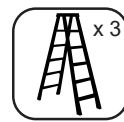
Fig. 11.4



Hardware

3 x 1/4 x 2-3/4" Hex Bolt
(1/4-5/16" large washer x 2, 1/4" lock nut)

Step 11: Attach Roof Panels to Frame Part 3



E: Lift third Roof Panel Assembly with Rafter Beam Brackets over Beam Assembly taking care not to drag the panel on the beams then set in place beside the second panel. Make sure the middle Rafter Beam Bracket lines up to the centre mark. (fig. 11.6)

F: Starting at the bottom and working up connect Roof Panel Assemblies through (729) Corner LT and (737) Corner RT with three 1/4 x 2-3/4" Hex Bolts (with two 1/4-5/16" large washers and one 1/4" lock nut). To align bolt holes helper on the centre ladder may have to push up in the centre of the panels and others make sure corners are aligned. Make sure all bolts are tight. (fig. 11.7)

Fig. 11.6

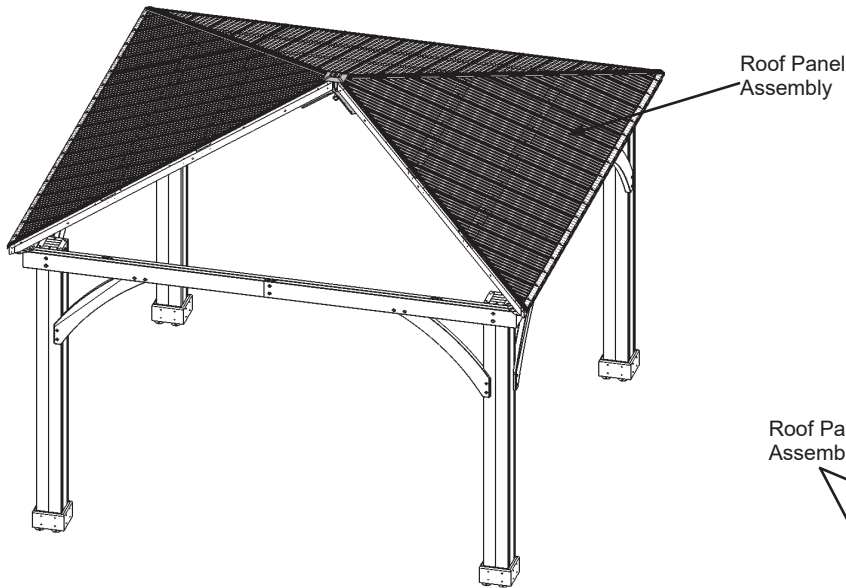
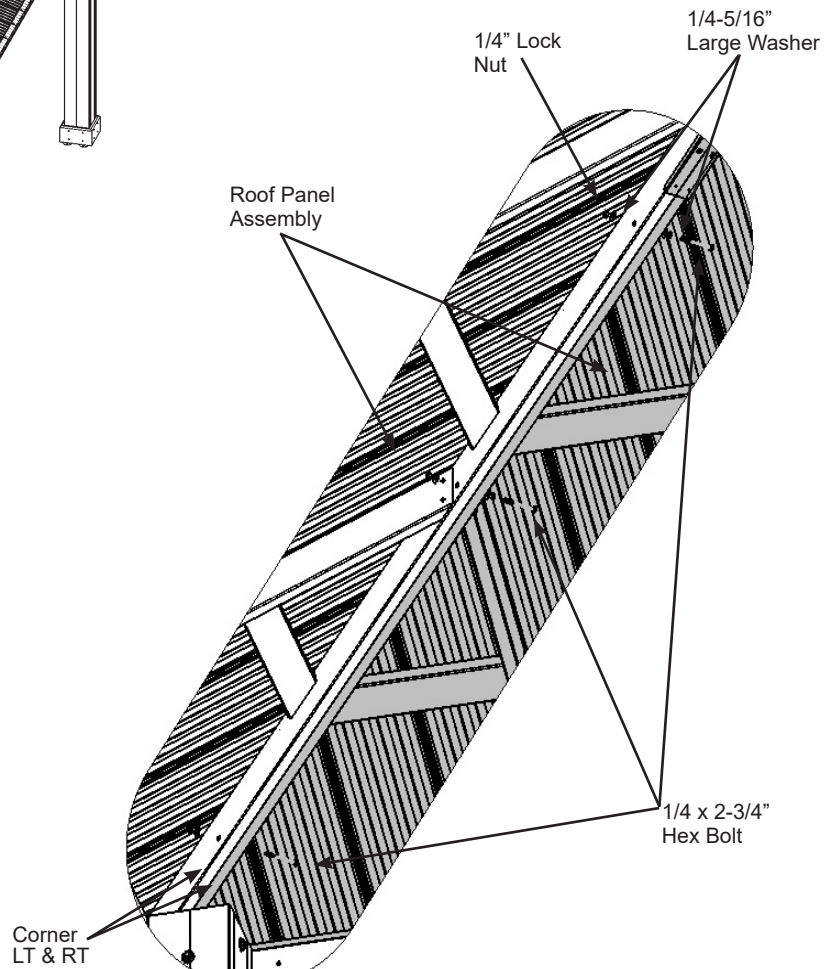


Fig. 11.7



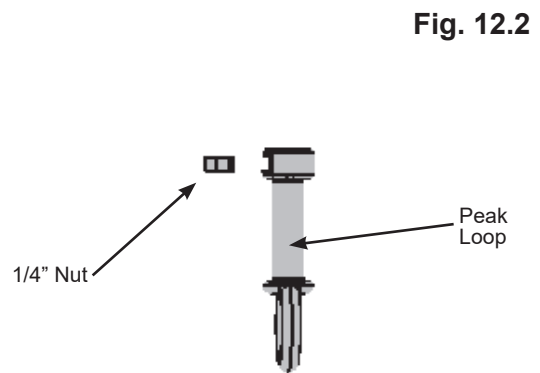
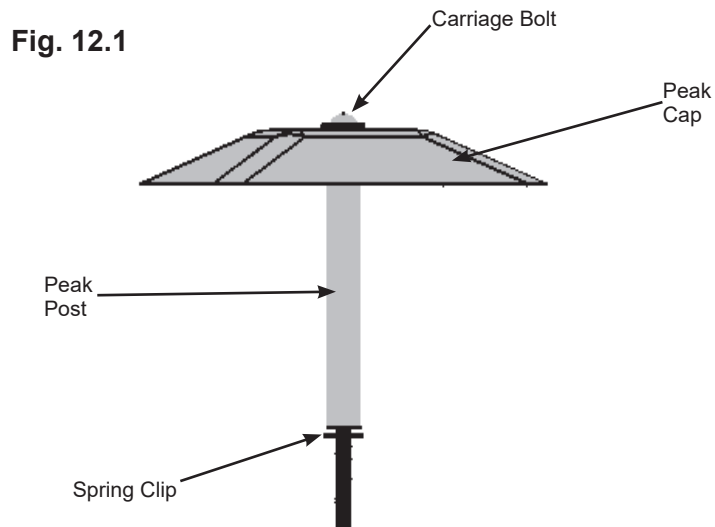
Hardware

3 x 1/4 x 2-3/4" Hex Bolt
(1/4-5/16" large washer x 2, 1/4" lock nut)

Step 12: Roof Peak Assembly

A: Insert Carriage Bolt through the top of Peak Cap, into Peak Post then Spring Clip. The Spring Clip holds the assembly together. (fig. 12.1)

B: Insert 1/4" Nut into Peak Loop. Be careful nut is loose and will fall out until attached to Peak Cap Assembly. (fig. 12.2)



Componets:

1 x Roof Peak Set	1 x Peak Cap
1 x Carriage Bolt	1 x Peak Post
1 x Peak Loop	
1 x Spring Clip	
1 x 1/4" Nut	

Step 13: Attach Roof Peak to Roof Panels



A: Insert Roof Peak Assembly in gap between Roof Panels. Peak Cap to be lined up with (729) Corner LT and (737) Corner RT. (fig. 13.1 and 13.2)

B: Insert both Roof Peak Brackets through Carriage Bolt and attach Peak Loop to Carriage Bolt and twist to tighten loosely.

C: Loosely attach both Roof Peak Brackets to (729) Corner LT and (737) Corner RT in the slotted holes with two #10 x 1-1/4" Pan Screws as shown in fig. 13.3.

Fig. 13.1

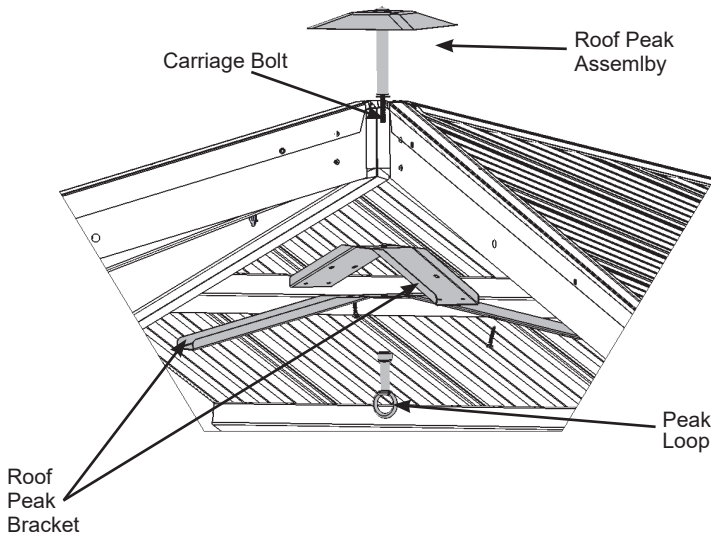


Fig. 13.2

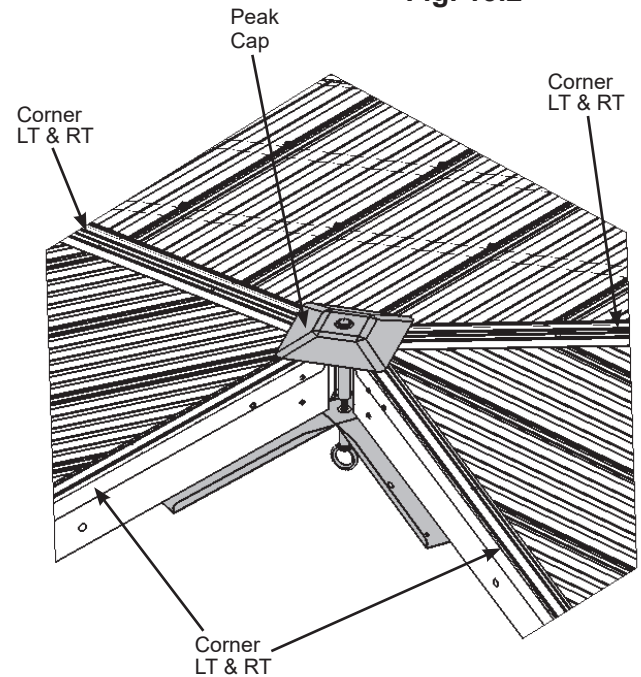
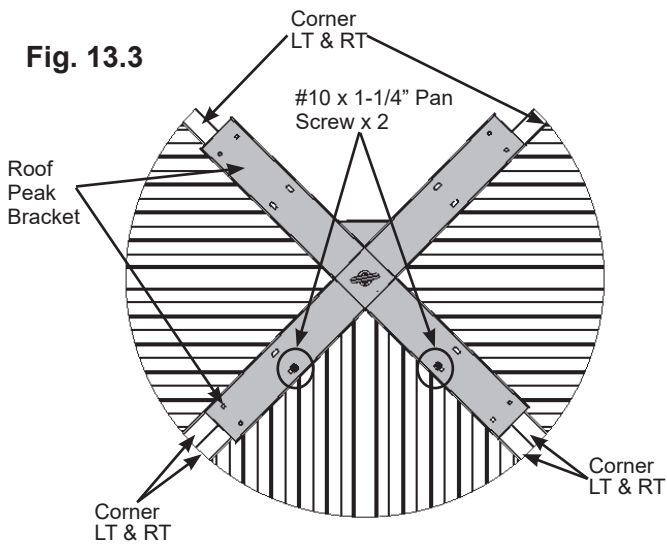


Fig. 13.3



Components:

2 x Roof Peak Brackets

Hardware

2 x #10 x 1-1/4" Pan Screw

Step 14: Attach Final Roof Panel Part 1



A: Lift last Roof Panel Assembly (without Rafter Beam Brackets) over Beam Assembly taking care not to drag the panel on the beams. Panel fits under the Peak Cap, push up on Peak Loop to lift Peak Cap. The centre of the other panels may have to be pushed up to fit fourth panel. (fig. 14.1 and 14.2)

B: Check again that Peak Cap is lined up with (729) Corner LT and (737) Corner RT. (fig. 14.3)

Fig. 14.1

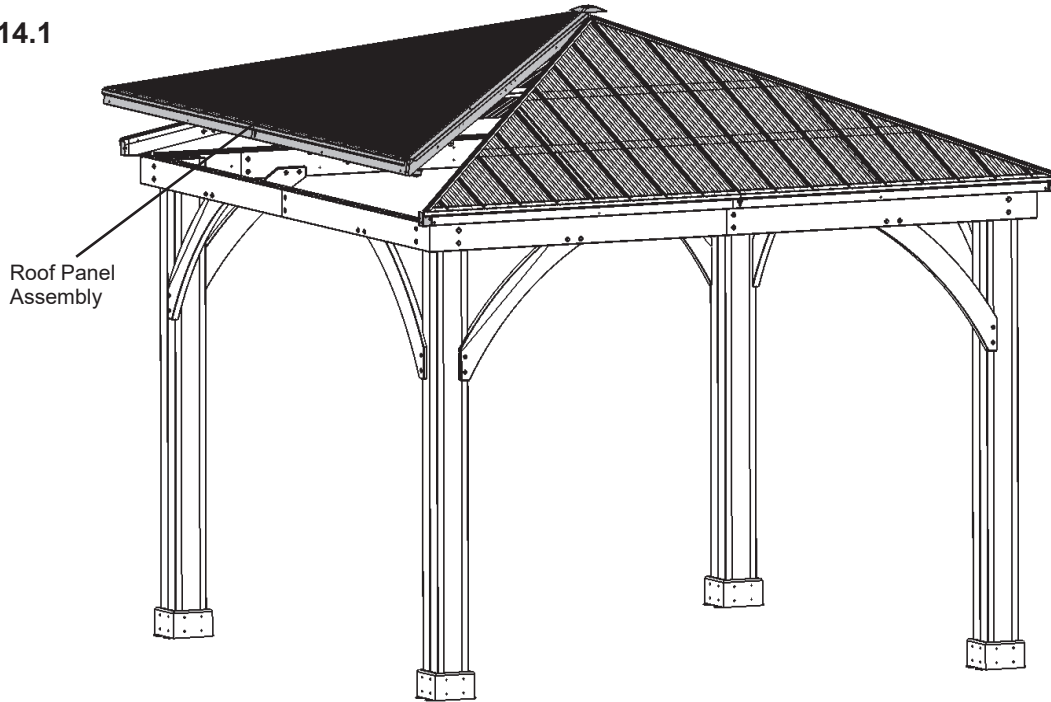


Fig. 14.2

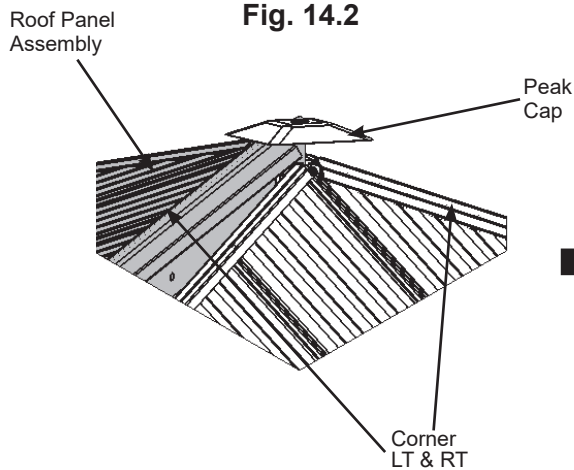
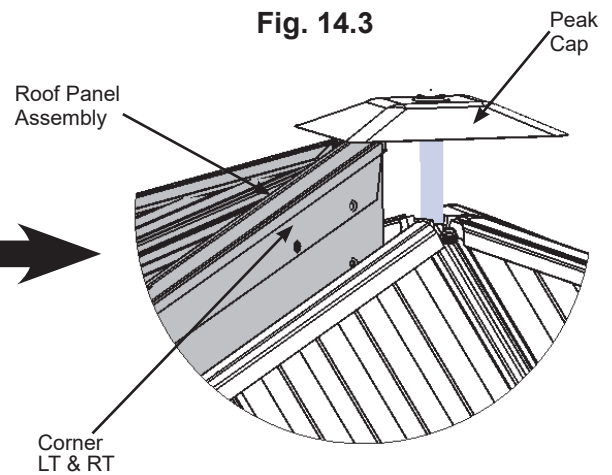


Fig. 14.3



Step 14: Attach Final Roof Panel Part 2



Remember to push up centre to assist with alignment.

C: Starting at the bottom and working up loosely connect Roof Panel Assemblies through (729) Corner LT and (737) Corner RT with three 1/4 x 2-3/4" Hex Bolts (with two 1/4-5/16" large washers and one 1/4" lock nut) per side. To align bolt holes helper on the centre ladder may have to push up in the centre of the panels and others make sure corners are aligned. Tighten bolts when all six have been installed. (fig. 14.4 and 14.5)

(729) Corner LT and (737) Corner RT should be aligned with mitre in Beam Assembly. (fig. 14.6)

Fig. 14.4

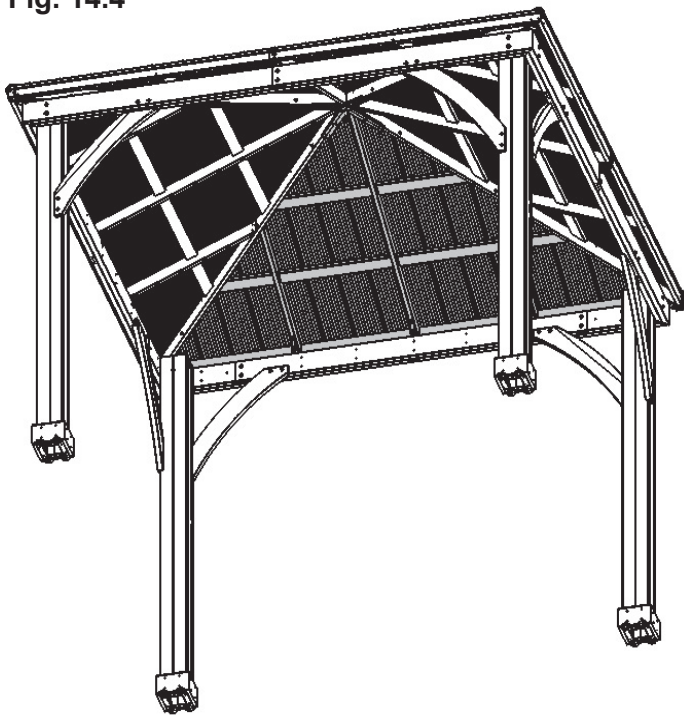


Fig. 14.5

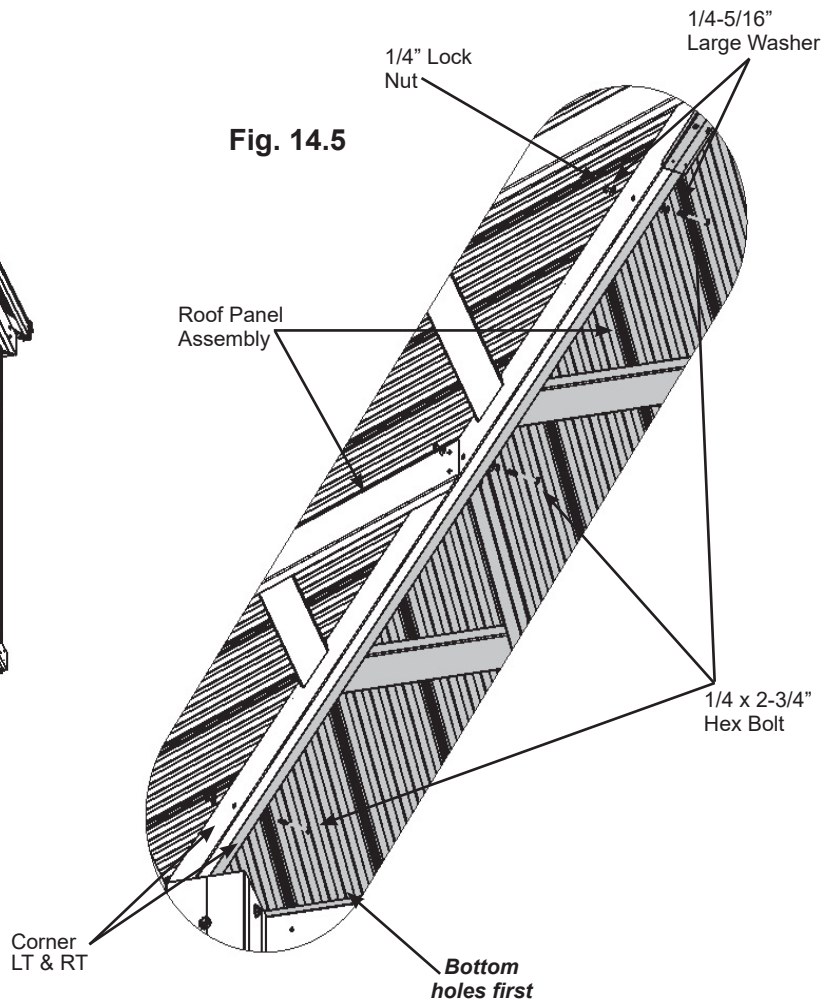
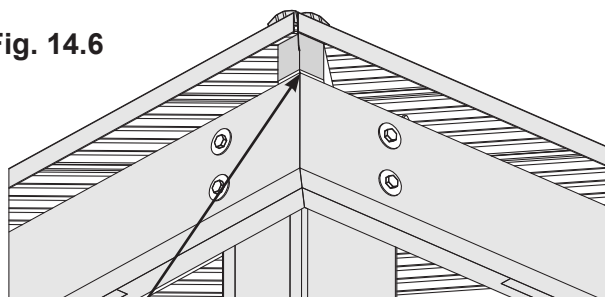


Fig. 14.6



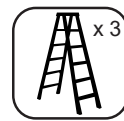
Corner LT and RT aligned with mitre in Beam Assembly

Parts removed for clarity

Hardware

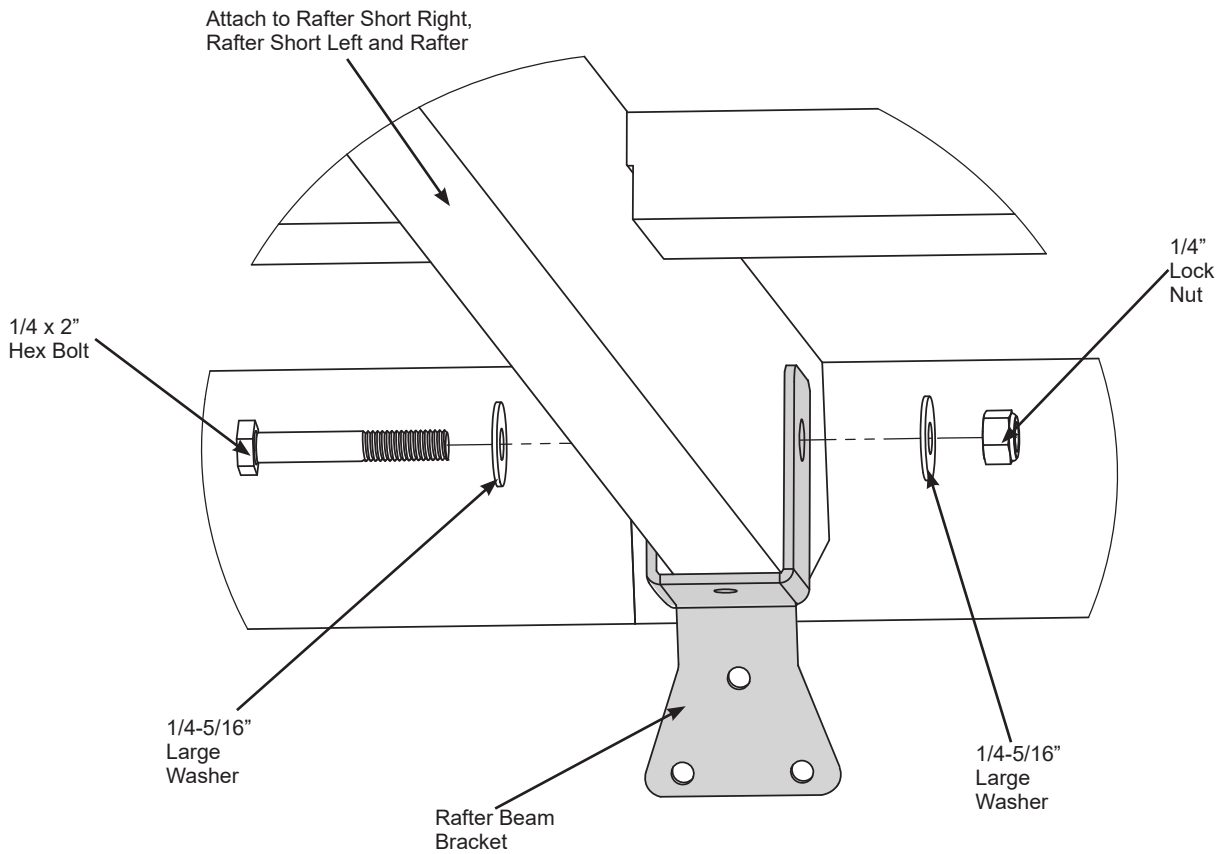
6 x 1/4 x 2-3/4" Hex Bolt
(1/4-5/16" large washer x 2, 1/4" lock nut)

Step 14: Attach Final Roof Panel Part 3



A: On the fourth Roof Rafter Assembly, place one Rafter Beam Bracket on each (734) Rafter Short Right, (735) Rafter Short Left and (736) Rafter. Loosely attach each bracket to rafters with one 1/4 x 2" Hex Bolt (with two 1/4-5/16" large washers and one 1/4" lock nut). (fig. 14.7)

Fig. 14.7



Componets:

3 x Rafter Beam Bracket

Hardware

**3 x 1/4 x 2" Hex Bolt
(1/4-5/16" large washer x 2, 1/4" lock nut)**

Step 15: Secure Roof Corners



A: Make sure middle Rafter Beam Brackets are lined up over centre mark and all are flush and tight to the Beam Assemblies. (729) Corner LT and (737) Corner RT should be aligned with mitre in Beam Assembly. Lift in centre if needed to adjust Roof Panel Assemblies.

B: From outside the assembly attach Roof Panel Assemblies together at the Fascia Beam Assembly Ends with two #8 x 2-1/4" Wood Screws per corner. A helper may need to lift the centre of the roof to bring the corners tight together. (fig. 15.1 and 15.2)

Fig. 15.1

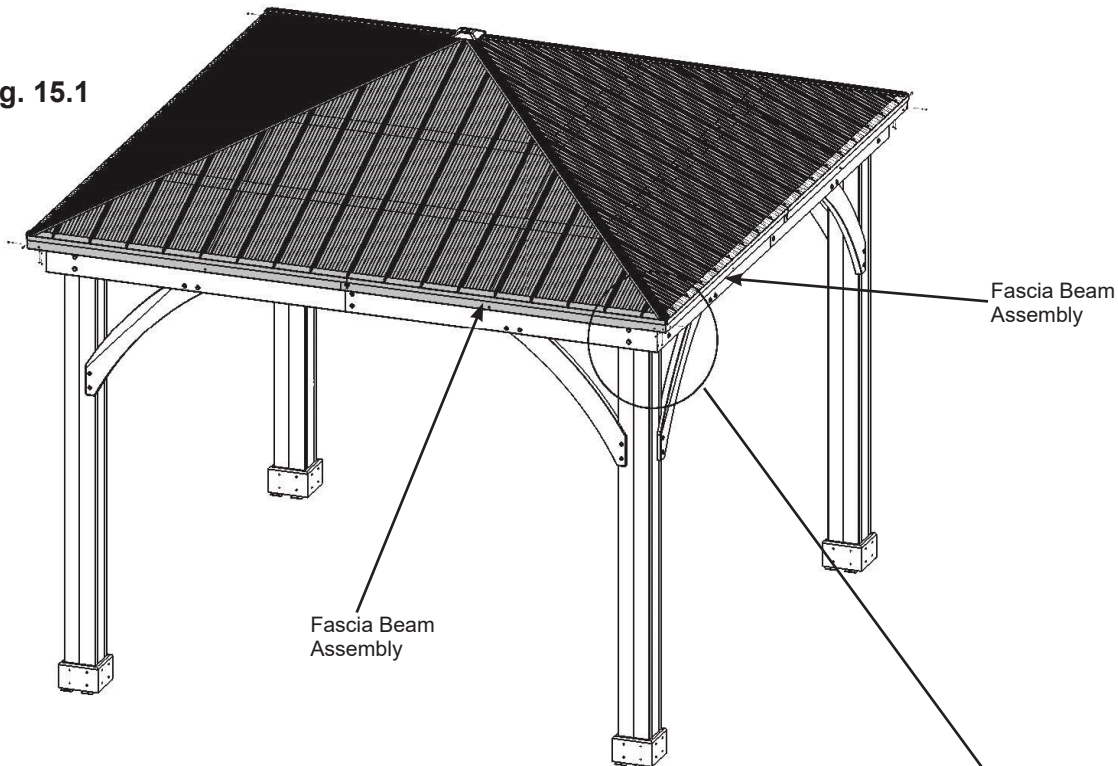
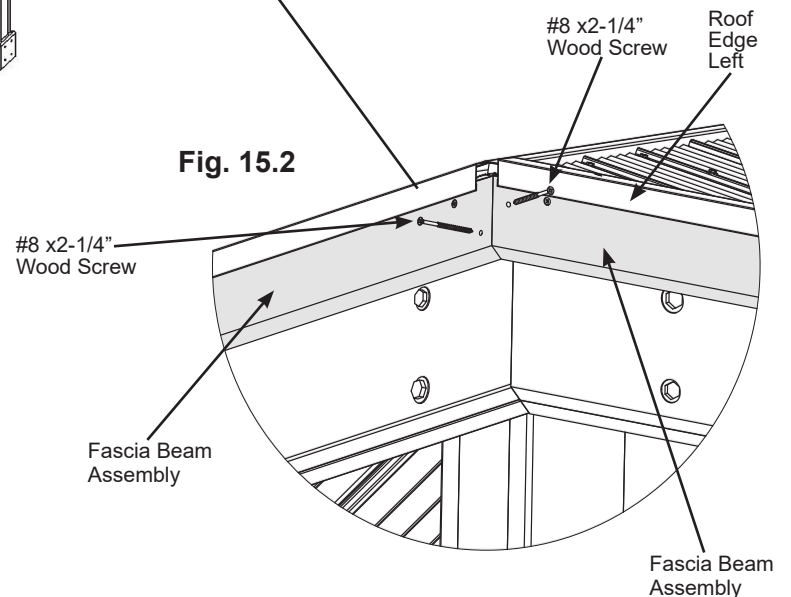


Fig. 15.2



Note: You will need to lift Roof Edge Left at the corner to install the top screw

Hardware

8 x #8 x 2-1/4" Wood Screw

Step 16: Attach Corner Caps



A: At each corner place one Corner Cap tight to Fascia Assemblies, push up so the bottom is tight to the bottom of the assemblies then attach with four #8 x 3/4" Sheet Metal Screws per Corner Cap. (fig. 16.1 and 16.2)

Fig. 16.1

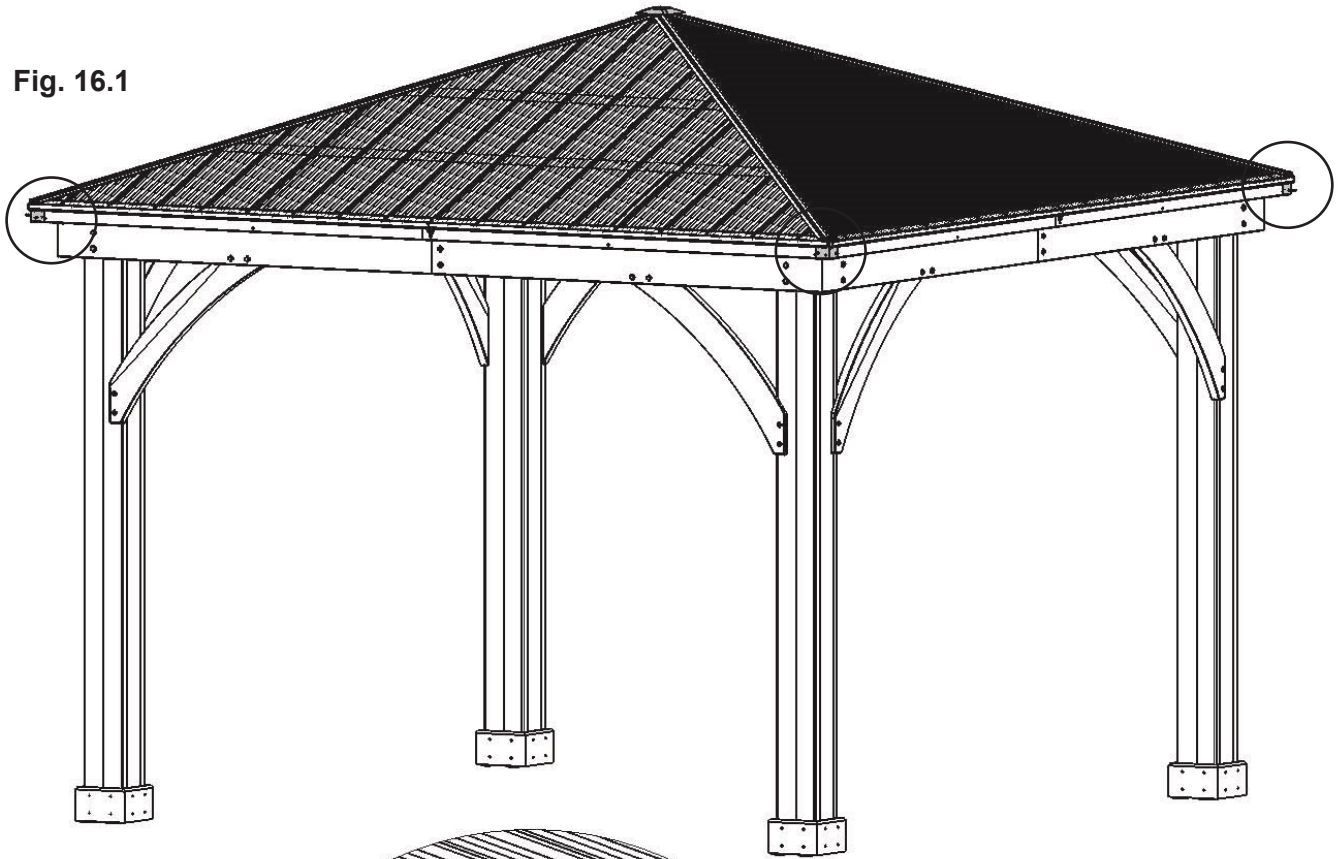
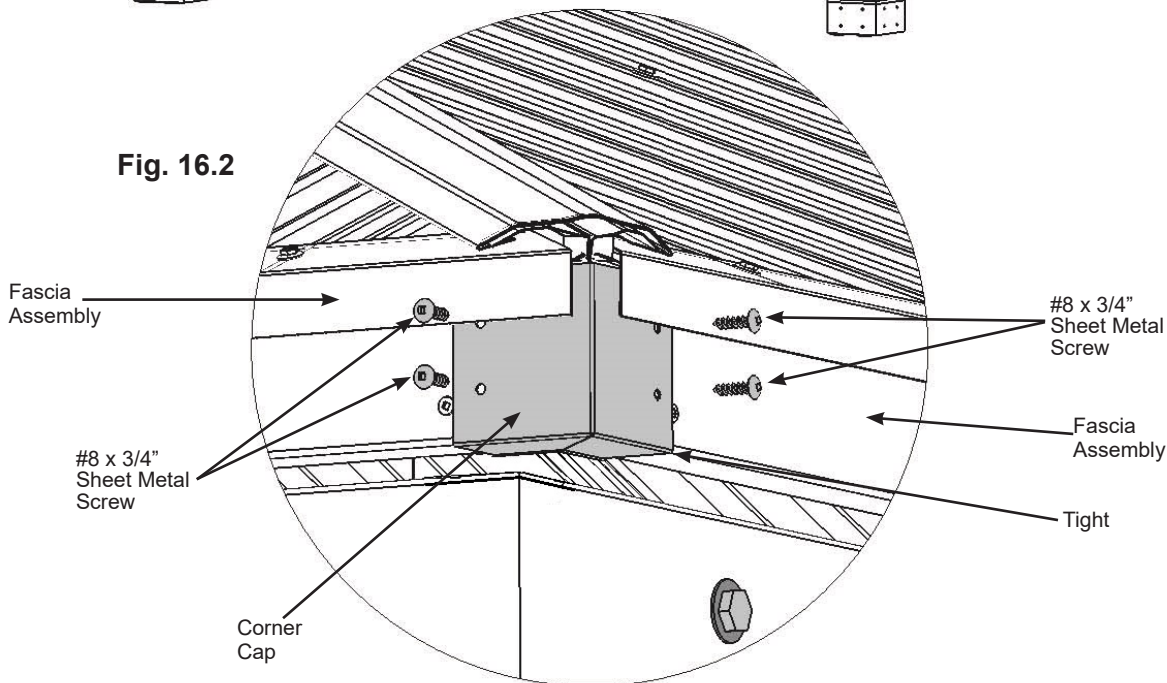


Fig. 16.2



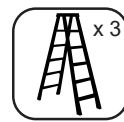
Componets:

4 x Corner Cap

Hardware

16 x #8 x 3/4" Sheet Metal Screw

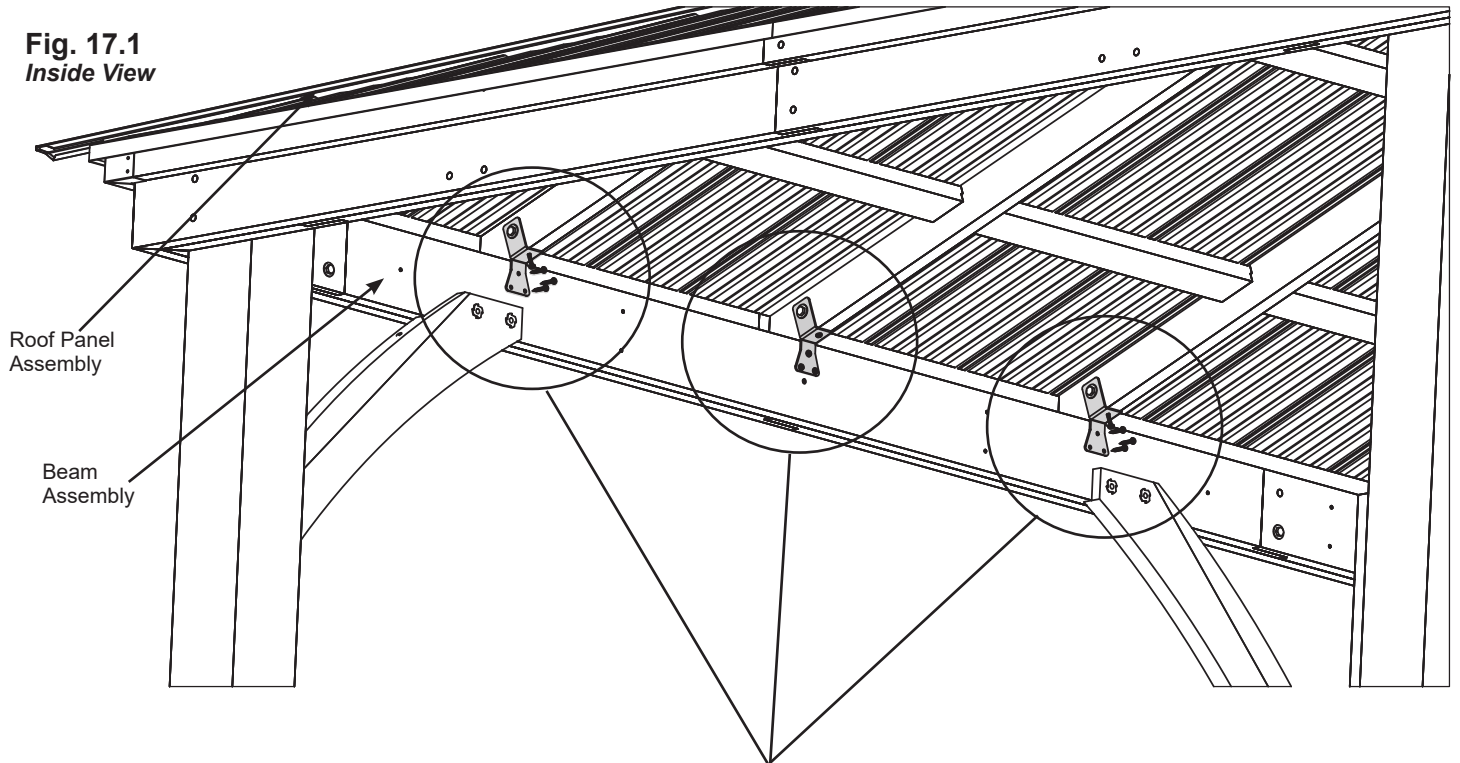
Step 17: Secure Rafter Beam Brackets



A: From inside the assembly attach Rafter Beam Brackets to Beam Assemblies and rafters with four #10 x 1-1/4" Pan Screws per bracket. (fig. 17.1 and 17.2)

B: Tighten all bolts in Rafter Beam Brackets. (fig. 17.1 and 17.2)

Fig. 17.1
Inside View



Tighten all
Rafter Beam
Bracket bolts

Rafter Beam
Bracket

Fig. 17.2

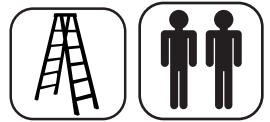
#10 x 1-1/4"
Pan Screw

Beam
Assembly

Hardware

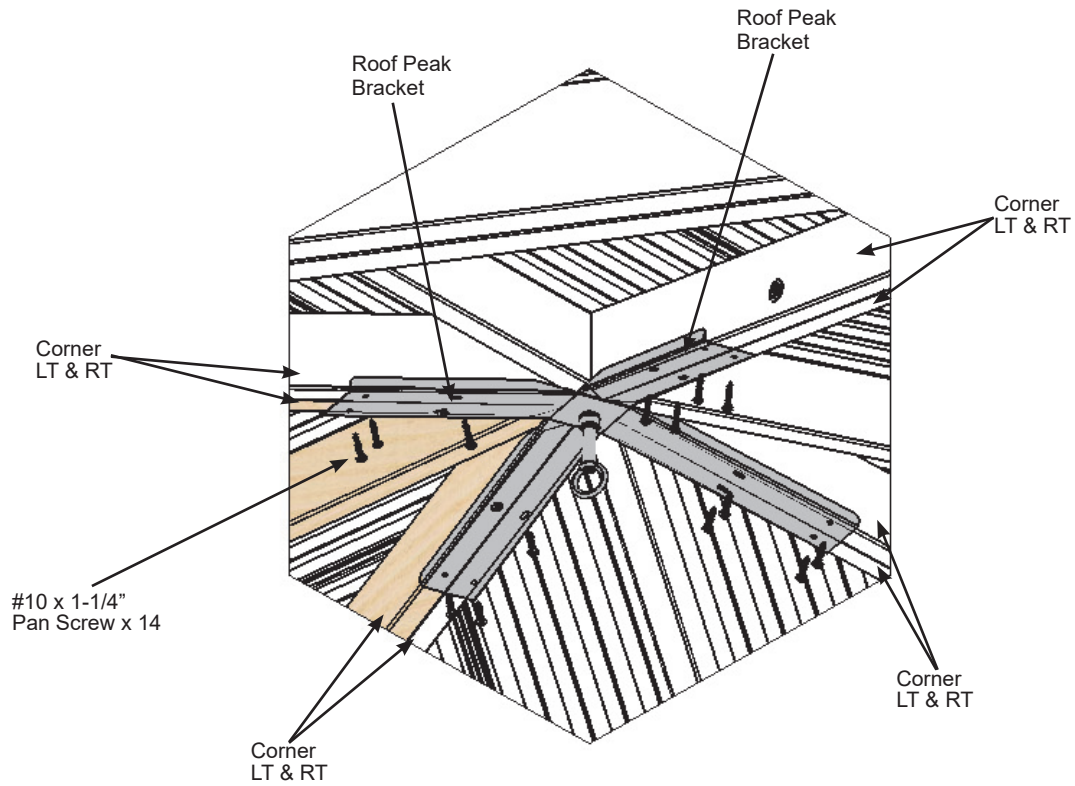
48 x #10 x 1-1/4" Pan Screw

Step 18: Secure Roof Peak Brackets



A: Tighten the two screws in Roof Peak Brackets then attach to (729) Corner LTs and (737) Corner RTs in the remaining holes with fourteen #10 x 1-1/4" Pan Screws. (fig. 18.1)

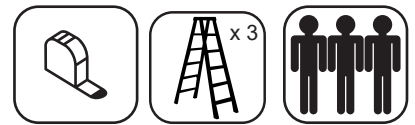
Fig. 18.1



Hardware

14 x #10 x 1-1/4" Pan Screw

Step 19: Attach Ridge Caps to Roof Panels



A: Slide one Ridge Cap over the Ridge Clips, with cut end leading, on each corner of the assembly from the bottom up, lifting Peak Cap by pushing up the Peak Loop so Ridge Caps fit under Peak Cap then attach with two #8 x 3/4" Sheet Metal Screws per Ridge Cap. (fig. 19.1, 19.2 and 19.3)

B: Tighten Loop to secure Roof Peak Set.

Fig. 19.1

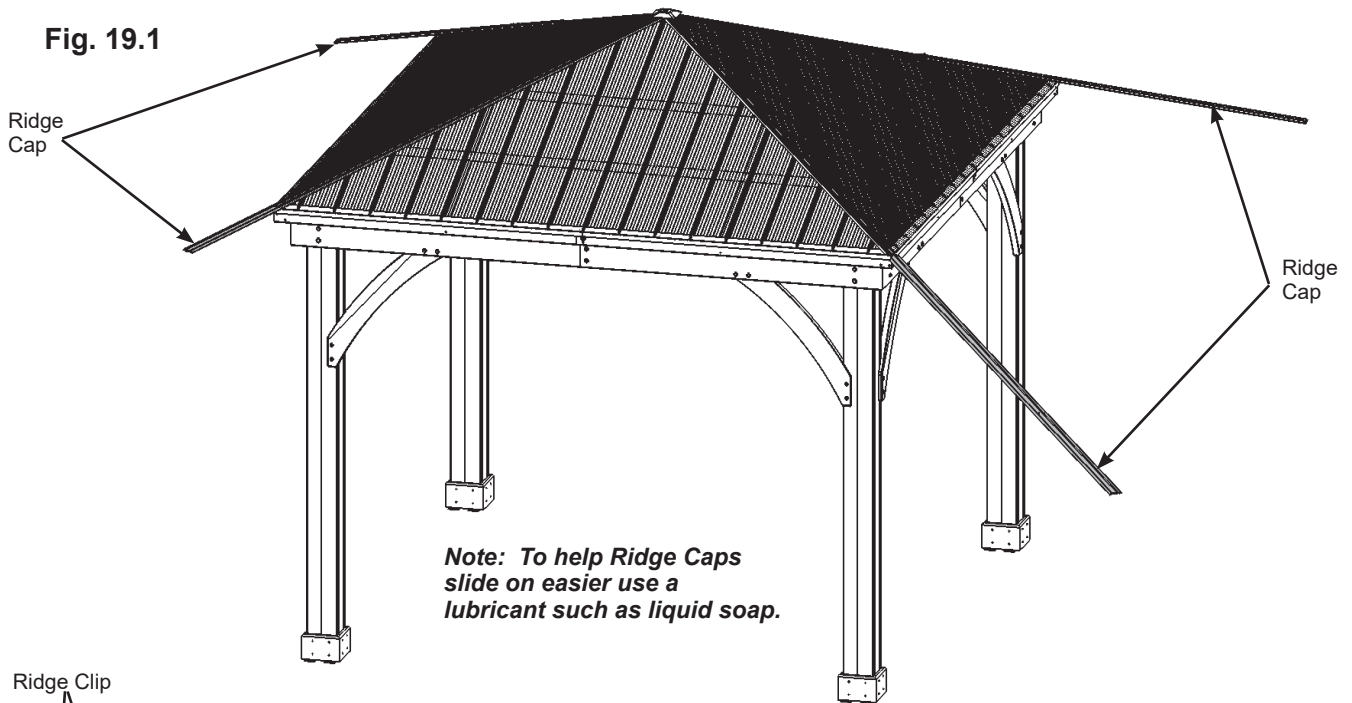


Fig. 19.2

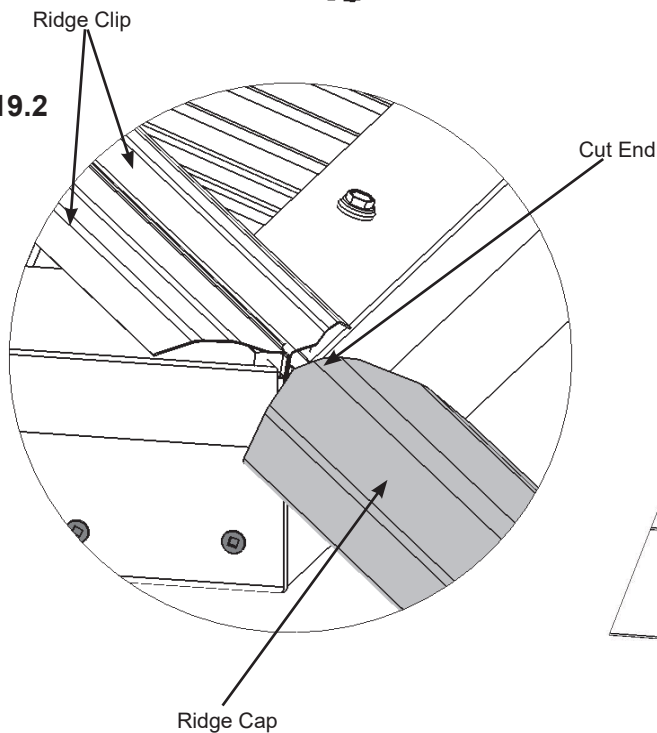
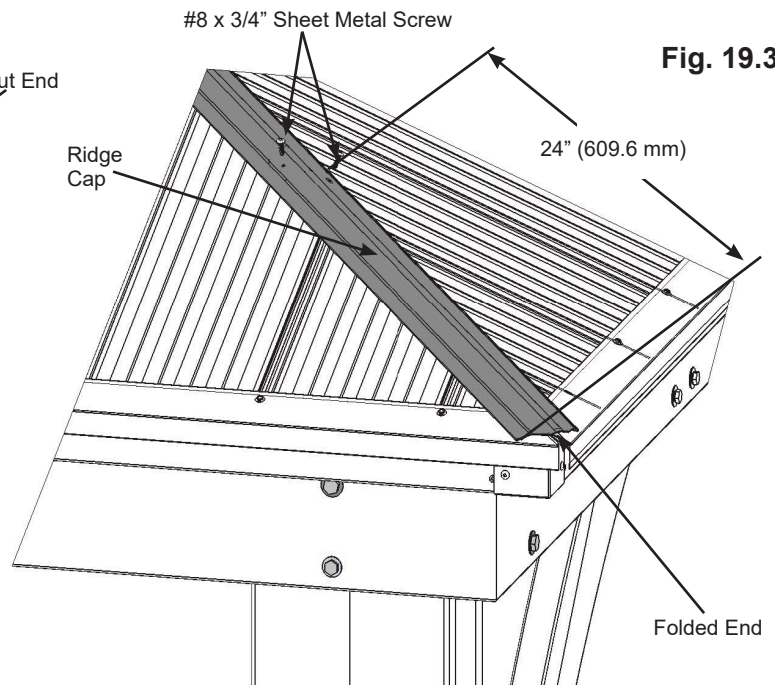


Fig. 19.3



Componets:
4 x Ridge Cap

Hardware
8 x #8 x 3/4" Sheet Metal Screw

Step 20: Attach Twist Brackets



A: Measure 5-3/4" (146.1 mm) down from the inside of each (752) Post, place bottom of either 45° Twist Bracket LT or 45° Twist Bracket RT at measured location then attach to (752) Post and (729) Corner LTs and (737) Corner RTs with four #10 x 1-1/4" Pan Screws per bracket. (fig. 20.1 and 20.2)

Fig. 20.1

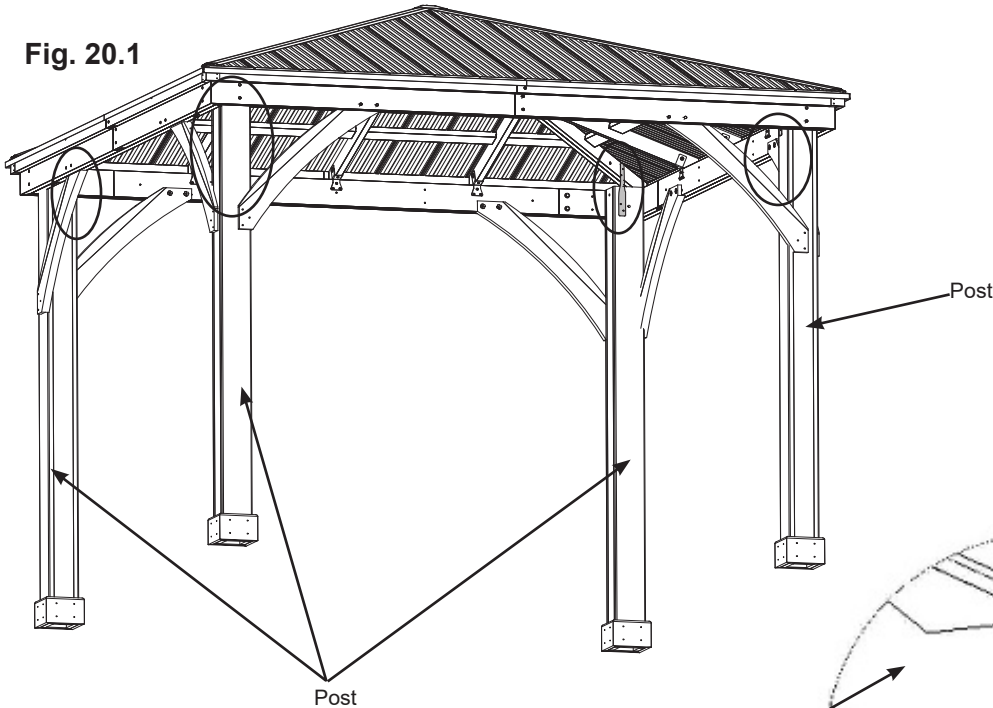
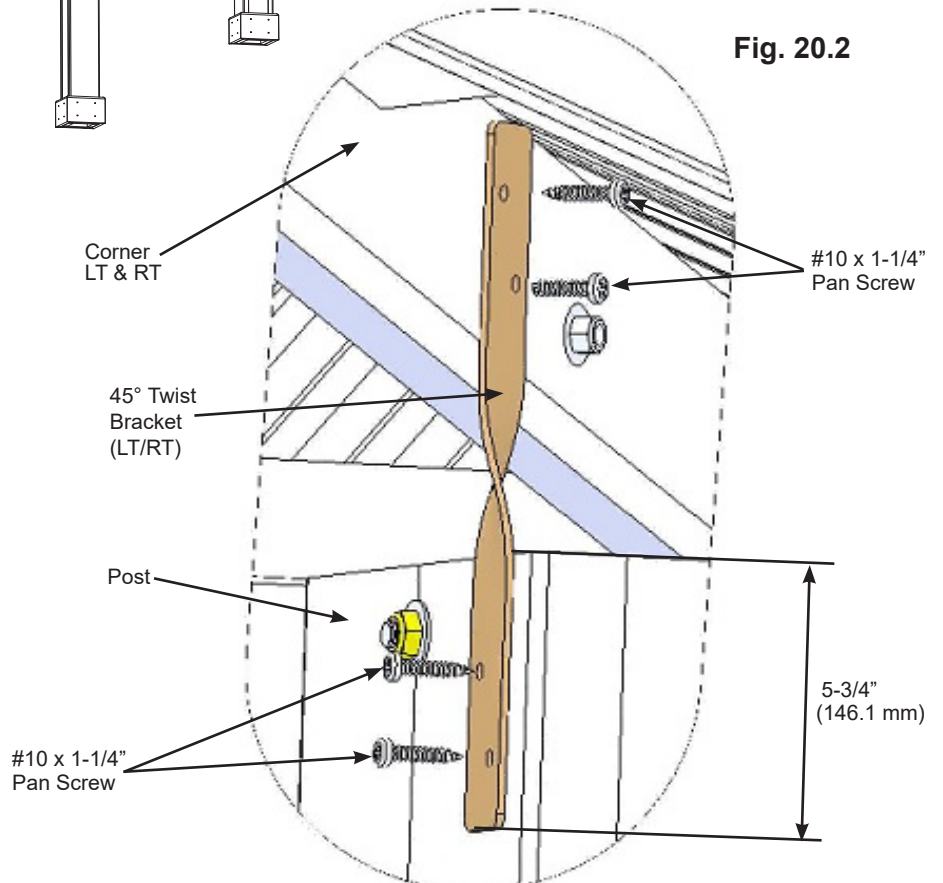


Fig. 20.2



Componets:

- 2 x 45° Twist Bracket LT
- 2 x 45° Twist Bracket RT

Hardware

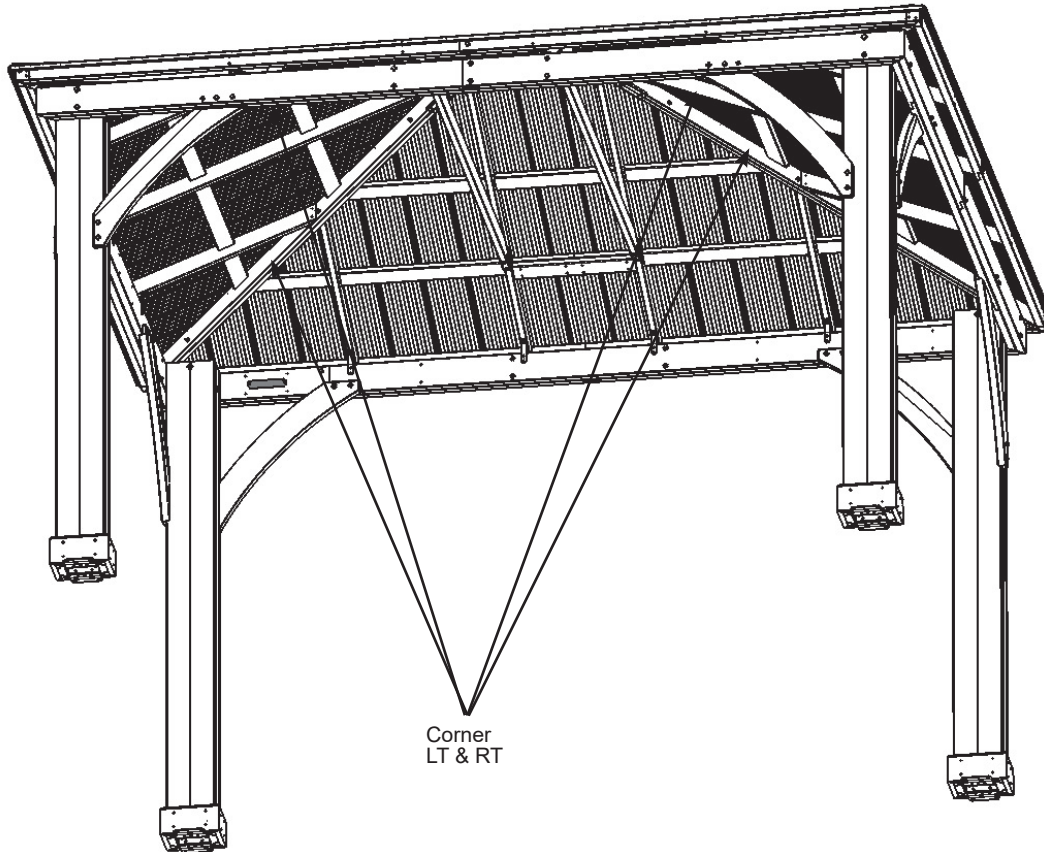
- 16 x #10 x 1-1/4" Pan Screw

Step 21: Metal Hooks and Plaque Part 1



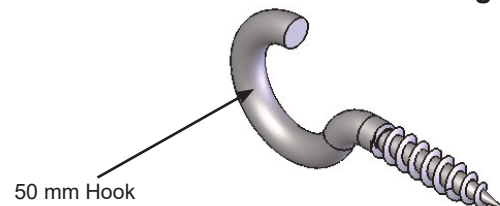
A: Two 50 mm Hooks are included with this unit for attaching wiring. They can be placed anywhere along the (729) Corner LTs and (737) Corner RTs as needed. Pre-drill with a 1/8" drill bit before installing. (fig. 21.1 and 21.2)

Fig. 21.1



Note: We have provided 2 hooks for optional use to hold in place any wires if required. These hooks are not designed to hold any heavy products such as lights, flower pots, etc.

Fig. 21.2



Hardware

2 x 50 mm Hooks

Step 21: Metal Hooks and Plaque Part 2

B: Attach Gazebo ID Plaque to a prominent location on your gazebo with two #10 x 1-1/4" Pan Screws. This provides warnings concerning safety and important contact information. A tracking number is provided to allow you to get critical information or order replacement parts for this specific model. (fig. 21.3 and 21.4)

Fig. 21.3

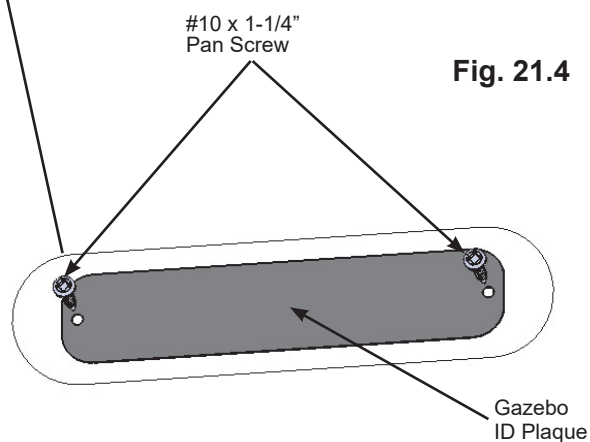
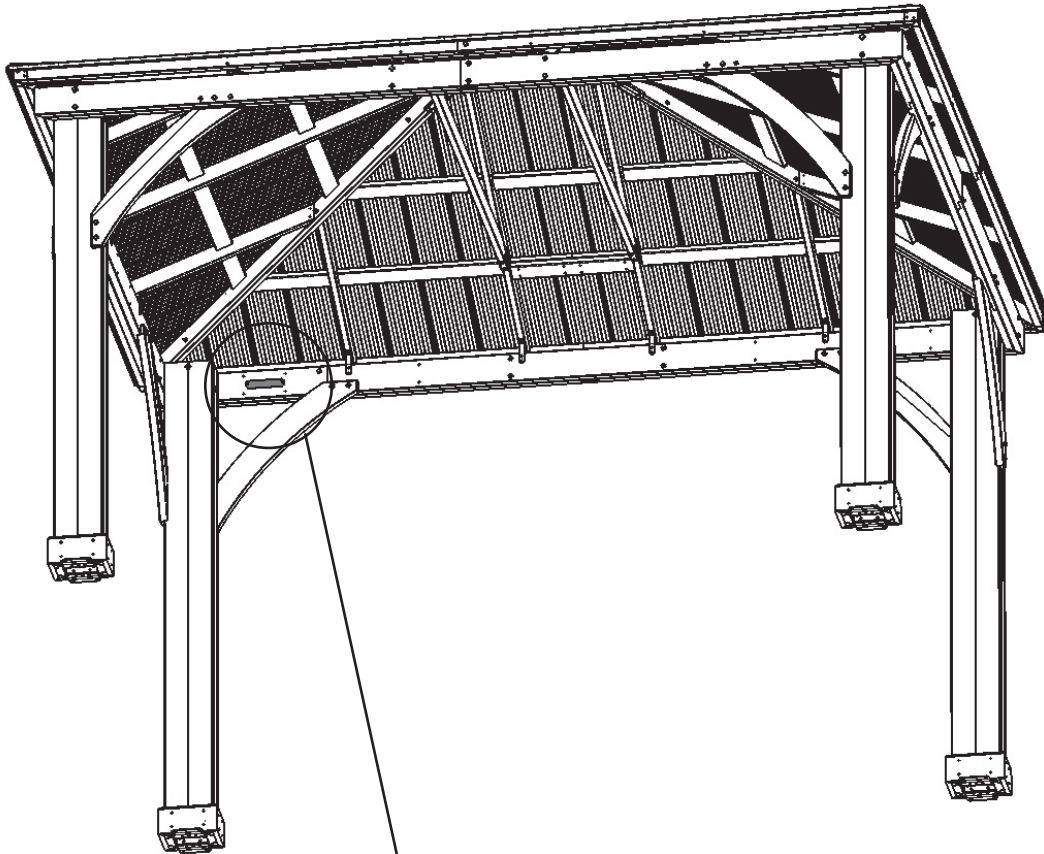


Fig. 21.4

Componets:

1 x Gazebo ID Plaque

Hardware

2 x #10 x 1-1/4" Pan Screw

YARDISTRY

Consumer Registration Card

First Name Initial Last Name

--	--	--

Street Apt. No.

--	--

City State/Province ZIP/Postal Code

--	--	--

Country Telephone Number

--	--

E-Mail Address

--

Model Name Model Number (Box Labels)

--	--

Date Purchase Purchased From

--	--

MM / DD / YYYY

How would you rate this product for quality?

Excellent
 Very Good
 Average
 Below Average
 Poor

How would you rate this product for ease of assembly?

Excellent
 Very Good
 Average
 Below Average
 Poor

How would you rate our instructions?

Excellent
 Very Good
 Average
 Below Average
 Poor

How would you rate the quality of packaging?

Excellent
 Very Good
 Average
 Below Average
 Poor

Would you recommend the purchase of our products to friends and family?

Yes
 No

Comments:

MAIL TO:
 Yardistry
 375 Sligo Road W., PO Box 10
 Mount Forest, Ontario, Canada
 NOG 2L0
 Attention: Customer Service



Yardistry would like to say Thank You for your time and feedback.



10' x 10' MERIDIAN Mosquito Mesh Kit

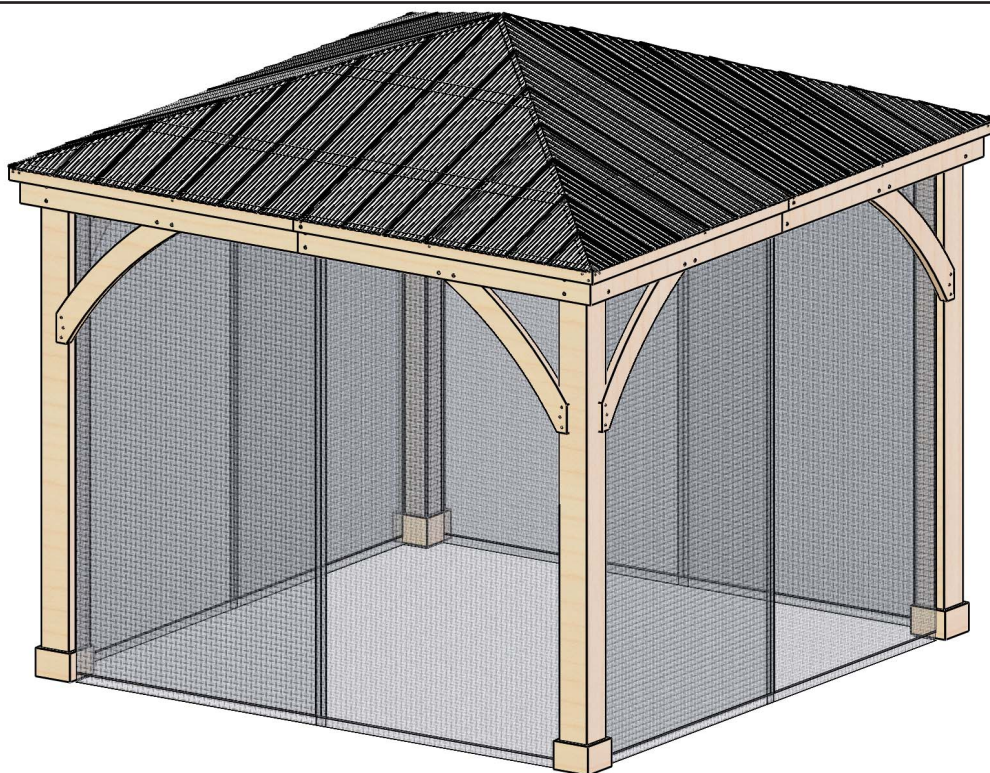
Installation Instructions – YM11753

Kit Mosquitero de MERIDIAN 10' x 10'

Instrucciones de instalación – YM11753

Ensemble de moustiquaire MERIDIAN 10' x 10'

Instructions d'installation – YM11753



Revised 12-13-2018


YARDISTRY[®]

Yardistry – North America
Toll Free Customer Support: 1.888.509.4382
info@yardistrystructures.com
www.yardistrystructures.com

Yardistry – Norteamérica
Línea gratuita de servicio al cliente: 1.888.509.4382
info@yardistrystructures.com
www.yardistrystructures.com

Yardistry – Amérique du Nord
Service client sans frais: 1.888.509.4382
info@yardistrystructures.com
www.yardistrystructures.com



Important Safety Notice! - ¡Nota importante de seguridad! - Avis important de sécurité!

Yardistry components are intended for privacy, decorative and ornamental use only.

Product is NOT INTENDED for the following:

- A safety barrier to prevent unsupervised access to pools, hot tubs, spas or ponds.
- As load bearing support for a building, structure, heavy objects or swings.
- Used in structures that trap wind, rain or snow that would create extra load on the product.

Netting is NOT flame retardant and will burn. Grills, fire pits and chimineas are a fire hazard if placed too close to a Yardistry structure. Consult user's manual of the grill, fire pit or chimenea for safe distances from combustible materials.

During installation, follow all safety warnings provided with your tools and use approved safety glasses. Some structures may require two or more people to install safely.

Los componentes Yardistry están hechos para brindar privacidad y usarse de forma decorativa y ornamental.

El producto NO TIENE COMO PROPÓSITO lo siguiente:

- Ser usado como barrera de seguridad para evitar el acceso no supervisado a piscinas, jacuzzis, spas o estanques.
- Ser usado como soporte para un edificio, estructura, objetos pesados o columpios..
- Ser usado en lugares donde haya acumulación de viento, lluvia o nieve que genere una carga adicional al producto.

El mosquitero NO es un retardante de incendios y se prende fuego. Las parrillas, fosas para fogatas y chimeneas son un peligro de incendio si se colocan muy cerca de una estructura Yardistry. Consulte en el manual del usuario de la parrilla, fosa para fogata o chimenea las distancias seguras de materiales inflamables.

Durante el montaje, siga todas las advertencias de seguridad proporcionadas con sus herramientas y use gafas de seguridad aprobadas. Algunas estructuras pueden requerir de dos o más personas para un montaje seguro.

Les composantes Yardistry sont conçues uniquement pour des fins d'intimité, de décoration et d'ornementation.

Le produit N'EST PAS CONÇU pour les usages suivants:

- Barrière de sécurité pour empêcher l'accès à des piscines, spas ou étangs.
- Support structural pour bâtiment, structure, objet lourd ou balançoire.
- Utilisation en tant que structure brise-vent, our servant à accumuler la pluie ou la neige, ce qui créerait une charge supplémentaire sur le produit.

La moustiquaire n'est PAS ignifuge et peut s'enflammer. Les barbecues, foyers extérieurs et cheminées représentent un risque d'incendie s'ils sont situés trop près de la structure Yardistry. Consultez le manuel d'utilisation du barbecue, foyer extérieur ou de la cheminée pour connaître les distances sécuritaires pour les matériaux combustibles.

Lors de l'installation, respectez toutes les normes de sécurité de vos outils et portez des lunettes de protection certifiées. Certaines structures pourraient nécessiter l'aide de deux personnes ou plus pour une installation sécuritaire.

Instructions for Proper Maintenance

Your Yardistry structure is designed and constructed of quality materials. As with all outdoor products it will weather and wear. To maximize the enjoyment, safety and life of your structure it is important that you, the owner, properly maintain it.

HARDWARE:

- Check metal parts for rust. If found, sand and repaint using a non-lead paint complying with 16 CFR 1303.
- Inspect and tighten all hardware after completion of assembly; after first month of use; and then annually. Do not over-tighten as to cause crushing and splintering of wood.
- Check for sharp edges or protruding screw threads, add washers if required.

Tools Required:

- Step Ladder
- Standard or Cordless Drill
- Safety Glasses
- Tape Measure

If you dispose of your Yardistry structure: Please disassemble and dispose of your unit so that it does not create any unreasonable hazards at the time it is discarded. Be sure to follow your local waste ordinances.

Instrucciones para el mantenimiento correcto

Su estructura Yardistry está diseñada y construida con materiales de calidad. Como todos los productos para exteriores se erosiona y desgasta. Para maximizar el placer, seguridad y vida útil de su estructura es importante que usted, el dueño, le dé el mantenimiento apropiado.

TORNILLOS Y ACCESORIOS::

- Revise si están oxidadas las partes metálicas. Si se encuentra alguna, líjela y vuélvala a pintar usando pintura sin plomo que cumpla con el 16 CFR 1303.
- Inspeccione y ajuste todos los tornillos y accesorios al finalizar el montaje; después del primer mes de uso; y luego, anualmente. No ajuste los tornillos de más ya que puede romper y astillar la madera.
- Verifique si hay bordes filosos o tornillos sobresalidos, agregue arandelas si es necesario.

Herramientas requeridas:

- Escalera
- Taladro estándar o sin cable
- Gafas de seguridad
- Cinta métrica

Si se deshace de su estructura Yardistry: Por favor desarme y deshágase de su unidad de manera de no generar riesgos innecesarios el momento de desecharla. Asegúrese de cumplir con las ordenanzas locales de eliminación.

Instructions pour un entretien adéquat

Votre structure Yardistry est conçue et fabriquée à l'aide de matériaux de qualité. Comme pour tous les produits d'extérieur, elle sera soumise au climat et à l'usure. Afin de maximiser l'utilisation, la sécurité et la durée de vie de votre structure, il est important que vous l'entretenez adéquatement.

QUINCAILLERIE:

- Assurez-vous qu'aucune rouille n'est présente. Si c'est le cas, sablez et repeignez à l'aide de peinture sans plomb respectant la norme 16 CFR 1303.
- Inspectez et resserrez toute la quincaillerie après l'assemblage; après le premier mois d'usage; et ensuite annuellement. Ne pas trop serrer afin de ne pas écraser ou fendiller le bois.
- Assurez-vous qu'aucune bordure coupante ou filet de vis ne dépasse, ajoutez des rondelles si nécessaire.

Outils nécessaires:

- Échelle
- Perceuse standard ou sans fil
- Lunettes de sécurité
- Ruban à mesurer

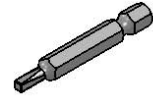
Si vous jetez une structure Yardistry: Veuillez démonter et jeter l'unité de façon à ne pas créer de risque excessif au moment de l'élimination. Assurez-vous de respecter vos normes locales de mise aux rebuts.

Part Identification - Identificación de las piezas - Identification des pièces

Y70818-258

- (2) - Insect Panel (2 pack)
 - Panel Mosquitero (paquete de 2)
 - Panneau pour insecte (pqt de 2)

D4 Y00400-005



- (1) - #2 x 2" Robertson Bit
 - Mecha Robertson No.2 x 2"
 - Mèche Robertson #2 x 2"



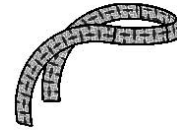
Y09991-600

- SB** (24) - #12 Screw Bezel
 - Bisel para tornillo No. 12
 - Vis à collerette #12

Y00918-257

- (4) - Curtain Track 10 x 10 Short
 - Guía de cortina 10 x 10 Corta
 - Rail pour rideaux 10 x 10 court

Y20118-036

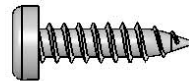


- (4) - Tie Back Ribbon 1" x 35"
 - Lazo de sujeción de 1" x 35"
 - Ruban d'attache arrière 1" x 35"

Y00918-256

- (4) - Curtain Track 10 x 10 Long
 - Guía de cortina 10 x 10 Larga
 - Rail pour rideaux 10 x 10 long

S6



Y06491-610

- (64) - #12 x 1" Pan Screw
 - Tornillo de cabeza plana No.12 x 1"
 - Vis à tête cylindrique #12 x 1"

S3



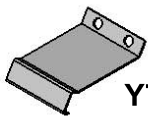
Y06091-522

- (8) - #8 x 2-1/2" Wood Screw
 - Tornillo para madera No.8 x 2-1/2"
 - Vis à bois #8 x 2-1/2"

Y70892-908



- (1) - Male Snap w. Screw (8 Pack)
 - Broche macho c/tornillo (paquete de 8)
 - Fixation mâle avec vis (pqt de 8)



Y70818-176

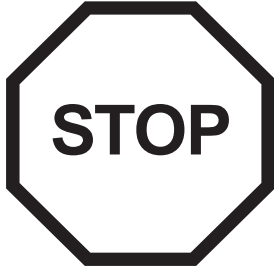
- (1) - Curtain Track Gusset (4 Pack)
 - Refuerzo de guía de cortina (Paquete de 4)
 - Gousset de rail pour rideaux (Pqt. de 4)



Y70818-259

- (1) - Gazebo Curtain Hanger (50 Pack)
 - Gancho de Cortina de gazebo (Paquete de 50)
 - Support à rideaux pour gazebo (Pqt. de 50)

Step 1: Inventory Parts - Paso 1: Piezas del inventario - Étape 1 : Inventaire des pièces



A. This is the time for you to inventory all your hardware and components referencing the parts identification sheets. This will assist you with your assembly.

- Each step indicates what you will need for assembly.

B. If there are any missing or damaged pieces or you need assistance with assembly please contact the consumer relations department directly. Call us before going back to the store.

C. Read the assembly manual completely, following the instructions in order.

A. Este es el momento en que debe hacer el inventario de todos los tornillos y accesorios consultando las hojas de identificación de piezas. Esto lo ayudará en el montaje.

- Cada paso indica los pernos y/o tornillos que necesitará para el montaje.

B. Si hay alguna pieza que falte o esté dañada, o si necesita ayuda con el montaje, por favor contáctese directamente con el departamento de atención al cliente. Llámenos antes de regresar a la tienda.

C. Lea todo el manual de instalación. Siga las instrucciones en orden.

A. Il est temps pour vous de faire l'inventaire de toute la quincaillerie et des accessoires présentés sur les pages d'identification. Cela vous facilitera la tâche d'assemblage.

- Chaque étape indique ce dont vous avez besoin pour l'assemblage.

B. Si des pièces sont manquantes ou endommagées, ou si vous avez besoin d'assistance pour l'assemblage, contactez le département des relations avec la clientèle directement. Appelez-nous avant de retourner en magasin

C. Lisez la totalité du manuel d'assemblage. Suivez les instructions dans l'ordre.

1-888-509-4382
support@yardistrystructures.com

YM11753

CARTON I.D. STAMP: / No. ID DE LA CAJA: / IDENTIFIANT DE BOÎTE:

— — — — —

Step 2: Attach Curtain Tracks - Paso 2: Fijación de la guía de cortina

- Étape 2: Fixation du rail pour rideaux

Instructions - Instrucciones - Instructions



A: From the inside of the assembly, tight against one Post Assembly place one Curtain Track Long on the Beam Assembly. Track should sit tight on top of gusset (2" up from bottom of Beam Assembly). Attach Curtain Track Long to Beam Assembly with four (S6) Pan Screws. (F2.1, F2.2 and F2.3)

B: Slide 12 Curtain Hangers in the channel of the Curtain Track Long which is furthest from the beam. Hangers should be able to slide easily and are able to turn. (F2.4)

C: Tight to the Curtain Track Long and tight to the top of the gusset place one Curtain Track Short and attach to Beam Assembly with four (S6) Pan Screws. Curtain Hangers should be able to slide freely between both tracks. (F2.2 and F2.5)

D: Repeat Steps A-C for the other three Beam Assemblies.

A: Desde el interior del ensamble, apretado contra uno Ensamble del poste coloque una Guía de Cortina Larga en el Ensamble de Viga. La guía debe asentarse contra la parte superior del refuerzo (2" arriba de la base del ensamble). Fije la Guía de Cortina larga al Ensamble de Viga con cuatro Tornillos de cabeza plana (S6). (F2.1, F2.2 y F2.3)

B: Deslice 12 Ganchos de Cortina en el canal de la Guía de Cortina Larga que está más alejado de la viga. Los ganchos deben poder deslizarse fácilmente y girar. (F2.4)

C: Contra la Guía de Cortina Larga y contra la parte superior del refuerzo, coloque una Guía de Cortina Corta y fíjela al Ensamble de Viga con cuatro Tornillos de cabeza plana (S6). Los ganchos deben poder deslizarse fácilmente entre ambas guías. (F2.2 y F2.5)

D: Repita los pasos A-C para los otros tres Ensamblados de Viga.

A: Depuis l'intérieur de l'assemblage, bien appuyé contre un assemblage de montant placez un Rail pour Rideau long sur l'Assemblage de poutre. Le rail devrait reposer bien appuyé sur le haut du gousset (2" vers le haut à partir du bas de l'assemblage). Fixez le Rail pour rideaux long à l'assemblage de poutre avec quatre Vis à tête cylindriques (S6). (F2.1, F2.2 et F2.3)

B: Glissez 12 Supports à rideaux dans le sillon du Rail pour rideaux long qui est le plus loin de la poutre. Les supports devraient glisser aisément et être en mesure de tourner. (F2.4)

C: Bien appuyé au Rail pour rideaux long et bien appuyé au haut du gousset, placez un Rail pour rideaux court et fixez à l'assemblage de poutre avec quatre Vis à tête cylindriques (S6). Les supports à rideaux devraient être en mesure de glisser aisément entre les rails. (F2.2 et F2.5)


D: Répétez les étapes A-C pour les trois autres assemblages de poutre.

Components / Componentes / Composants

4 x Curtain Track Long / Guía de Cortina Larga / Rail pour rideaux long

4 x Curtain Track Short / Guía de Cortina Corta / Rail pour rideaux court

Hardware / Tornillos y accesorios / Quincaillerie

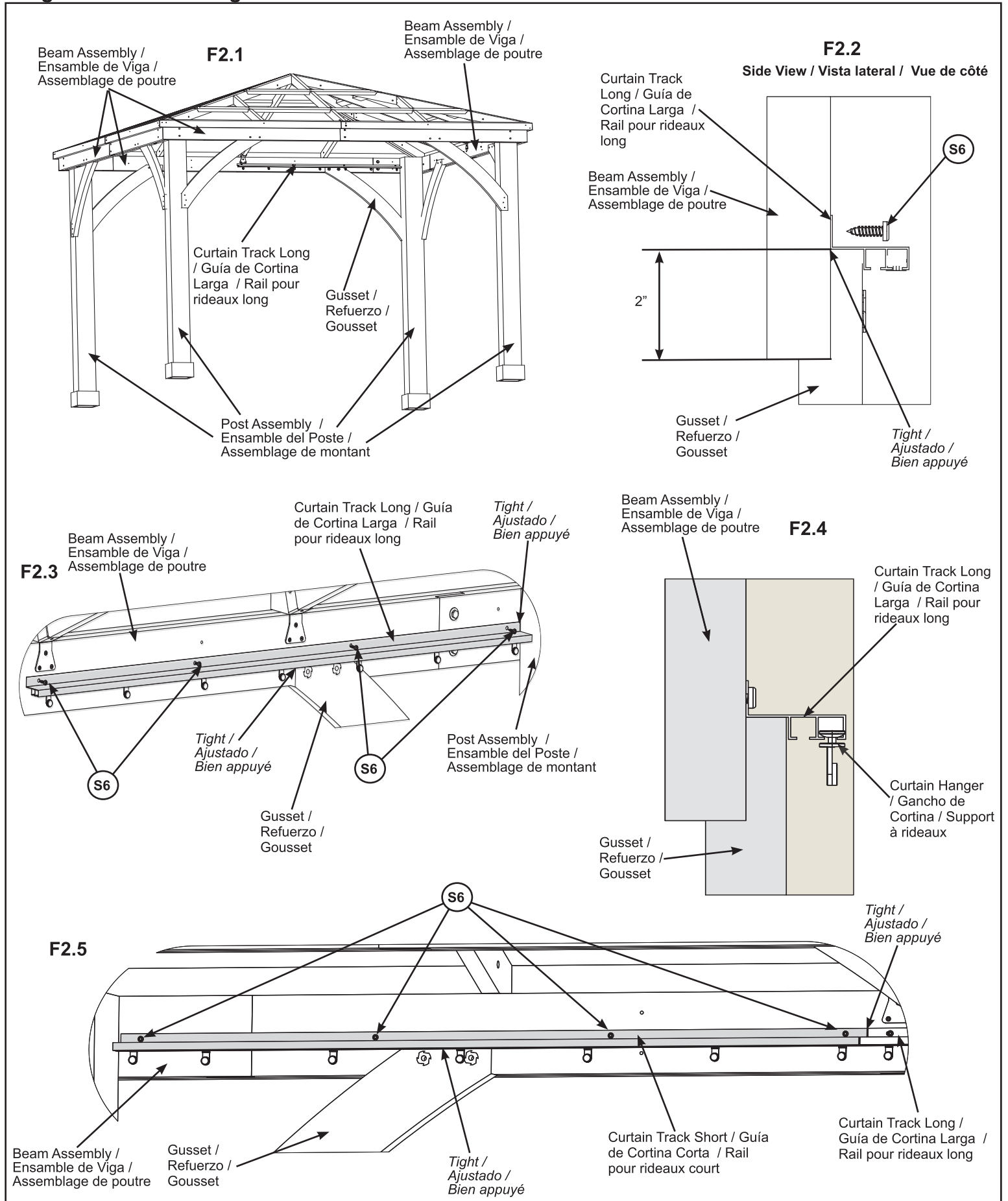
32 x  #12 x 1"

48 x Curtain Hangers / Ganchos de cortina / Supports à rideaux

Step 2: Attach Curtain Tracks - Paso 2: Fijación de la guía de cortina

- Étape 2 : Fixation du rail pour rideaux

Images - Fotos - Images



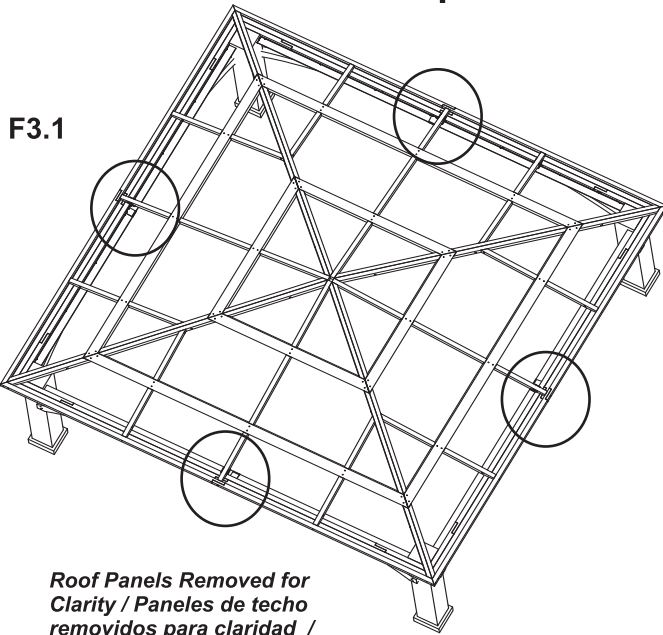
Step 3: Attach Curtain Track Gussets - Paso 3: Fijación de los refuerzos de las guías de cortina - Étape 3 : Fixation des goussets de rail pour rideaux



A: Where each set of Curtain Tracks meet attach tracks to Beam Assemblies with one Curtain Track Gusset and two (S6) Pan Screws per track set. (F3.1, F3.2 and F3.3)

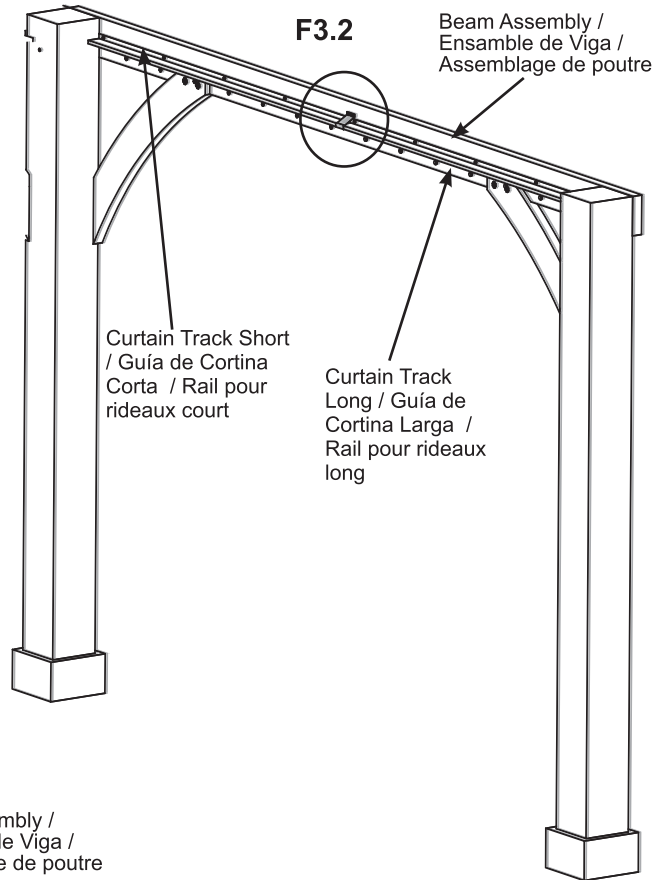
A: Donde se une cada juego de Guía de Cortina con cada juego, fije las guías a los Ensamblajes de Viga con un Refuerzo de Guía de Cortina y dos Tornillos de cabeza plana (S6) por juego. (F3.1, F3.2 y F3.3)

A: Là où chaque ensemble de Rails pour rideaux se rencontrent, fixez les rails aux Assemblages de poutre avec un gousset de rail pour rideaux et deux Vis à tête cylindriques (S6) par ensemble de rail. (F3.1, F3.2 et F3.3)



F3.1

Roof Panels Removed for Clarity / Paneles de techo removidos para claridad / Panneaux de toit retirés pour clarté

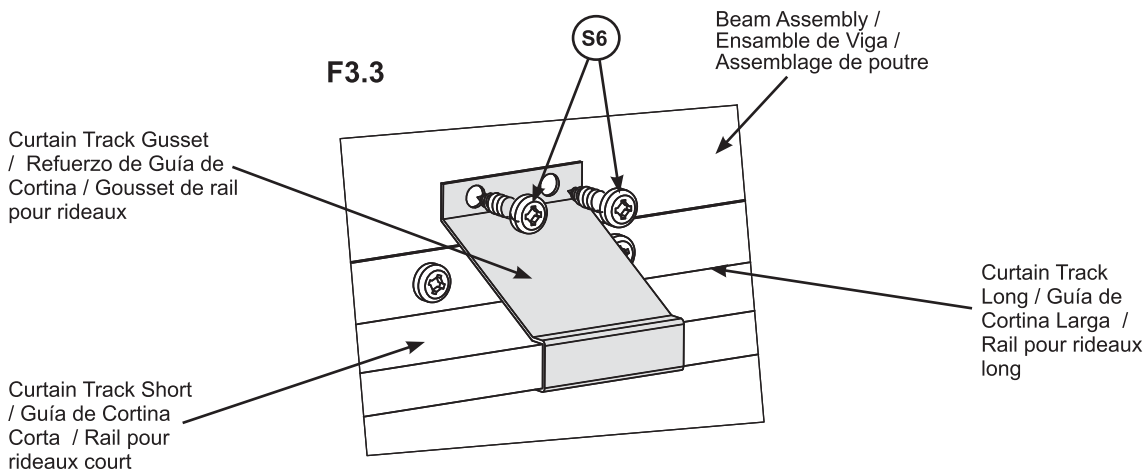


F3.2

Curtain Track Short / Guía de Cortina Corta / Rail pour rideaux court

Curtain Track Long / Guía de Cortina Larga / Rail pour rideaux long

Beam Assembly / Ensamble de Viga / Assemblage de poutre



F3.3

Beam Assembly / Ensamble de Viga / Assemblage de poutre

Curtain Track Gusset / Refuerzo de Guía de Cortina / Gousset de rail pour rideaux


Curtain Track Short / Guía de Cortina Corta / Rail pour rideaux court

Curtain Track Long / Guía de Cortina Larga / Rail pour rideaux long

Components / Componentes / Composants

4 x Curtain Track Gusset / Refuerzo de Guía de Cortina / Gousset de rail pour rideaux

Hardware / Tornillos y accesorios / Quincaillerie

8 x  #12 x 1"

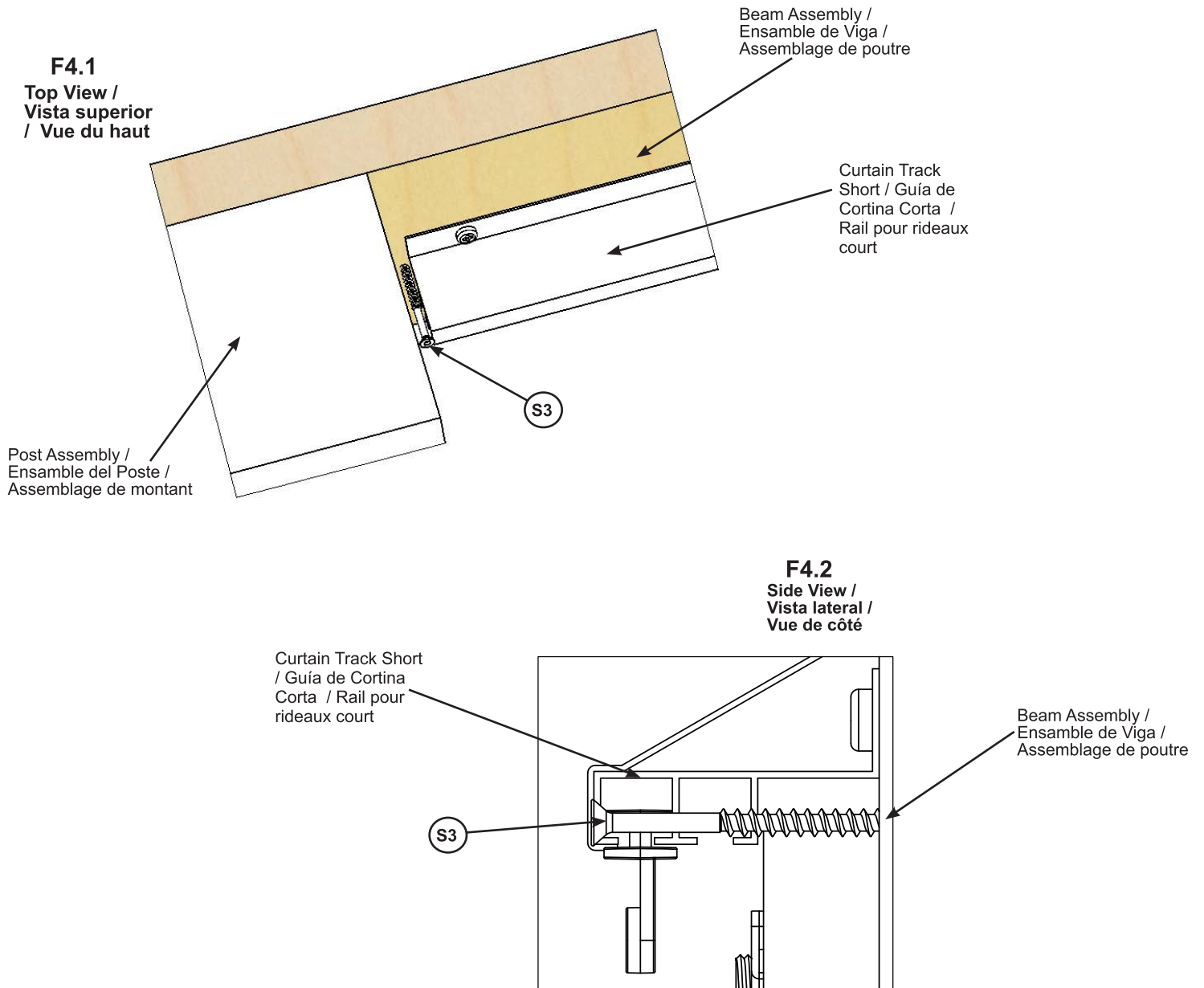
Step 4: Attach End Screws - Paso 4: Fijación de los tornillos de los extremos - Étape 4 : Fixation de vis d'extrémité




A: If there is a gap between the Curtain Track Short and the Post Assembly install one (S3) Wood Screw into Beam Assembly where needed. This will prevent the Curtain Hangers from falling out of the tracks. (F4.1 and F4.2)

A: Si queda un espacio entre la Guía de Cortina Corta y el Ensamble del Poste, coloque un tornillo para madera (S3) en el Ensamble de Viga si es necesario para evitar que los Ganchos de Cortina se salgan de las guías. (F4.1 y F4.2)

A: S'il y a un espace entre le rail pour rideaux court et l'assemblage de montant, installez une Vis à bois (S3) dans l'assemblage de Poutre là où cela est requis. Cela évitera que les supports à rideaux tombent des rails. (F4.1 et F4.2)



Hardware / Tornillos y accesorios / Quincaillerie

4 x  #8 x 2-1/2"

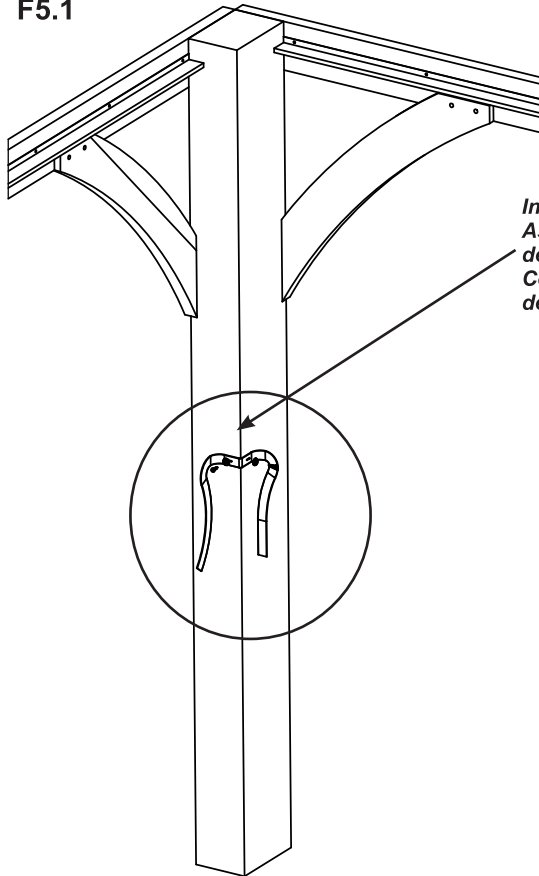
Step 5: Attach Tie Back Ribbons - Paso 5: Colocación de los lazos traseros
- Étape 5: Fixation des rubans d'attache arrière

A: On the inside corner of each Post Assembly attach one Tie Back Ribbon using 2 (S6) Pan Screws (with SB) per ribbon. (F5.1 and F5.2)

A: En la esquina interior de cada Ensamble del Poste, fije un Lazo de Sujeción Trasero con 2 tornillos de cabeza plana (S6) (con SB) por lazo. (F5.1 y F5.2)

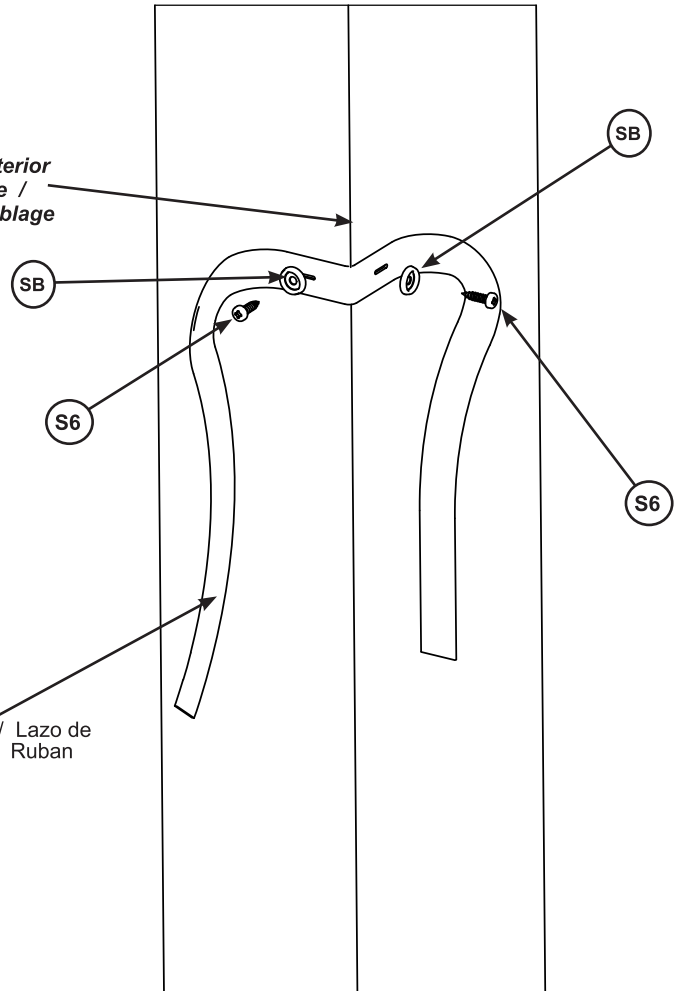
A: Dans le coin intérieur de chaque assemblage de montant, fixez un ruban d'attache arrière à l'aide de 2 Vis à tête cylindriques (S6) (avec SB) par ruban. (F5.1 et F5.2)

F5.1



Inside Corner of Post Assembly / Esquina interior del Ensamble del Poste / Coin intérieur d'assemblage de montant

F5.2



Tie Back Ribbon / Lazo de sujeción trasero / Ruban d'attache arrière

Components / Componentes / Composants

4 x Tie Back Ribbon / Lazo de Sujeción Trasero / Ruban d'attache arrière

Hardware / Tornillos y accesorios / Quincaillerie

8 x (S6) 12 x 1"

8 x (SB) #12 Screw Bezel / Bisel para tornillo No.12 /

Vis à collerette #12

Step 6: Attach Insect Panel Part 1 - Paso 6: Fijación de panel mosquitero Parte 1 - Étape 6: Fixation du Panneau pour insecte Partie 1



A: Starting at the centre of one Beam Assembly attach one Insect Panel using the button snaps to 6 Curtain Hangers then attach Insect Panel to 6 Curtain Hangers on adjacent Beam Assembly. (F6.1, F6.2 and F6.3)

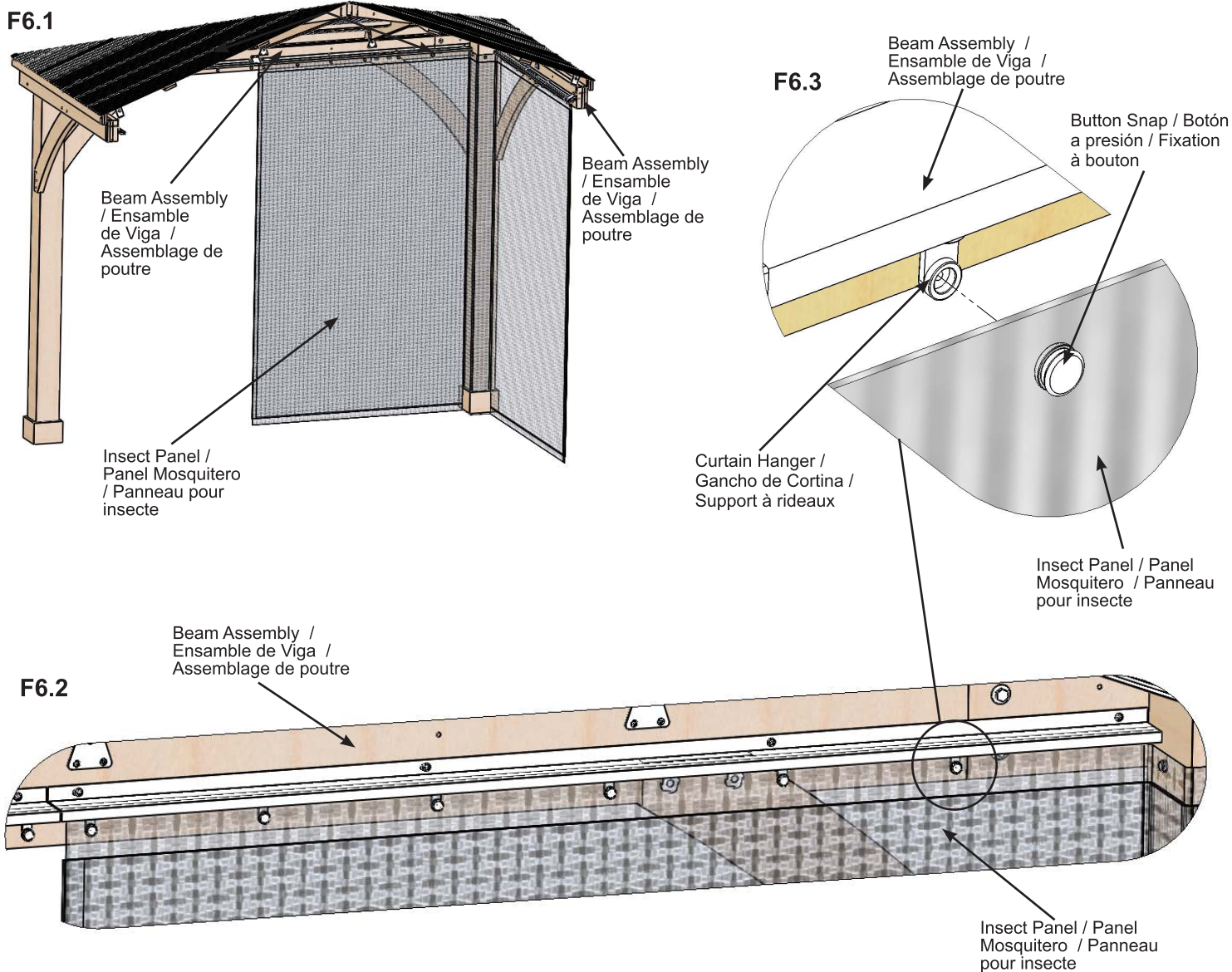
B: Repeat Step A for remaining 3 Insect Panels, starting at the end of the first panel and continuing around the Gazebo.

A: Comenzando por el centro de un Ensamble de Viga, fije un Panel Mosquitero usando los botones a presión a 6 Ganchos de Cortina y luego fijelo a 6 Ganchos de Cortina en el Ensamble de Viga Corta. (F6.1, F6.2 y F6.3)

B: Repita el paso A para los 3 Paneles Mosquiteros restantes, comenzando al final del primer panel y continuando alrededor del Gazebo.

A: En débutant au centre de l'un des assemblages de poutre, fixez un Panneau pour insecte à l'aide des fixations à bouton aux 6 Supports à rideaux puis fixez le Panneau pour insecte aux 6 supports à rideaux à l'assemblage de poutre courte. (F6.1, F6.2 et F6.3)

B: Répétez l'étape A pour les 3 Panneaux pour Insecte restants, en débutant à l'extrémité du premier panneau et en poursuivant autour du Gazebo.



Components / Componentes / Composants

4 x Insect Panel / Panel Mosquitero / Panneau pour insecte

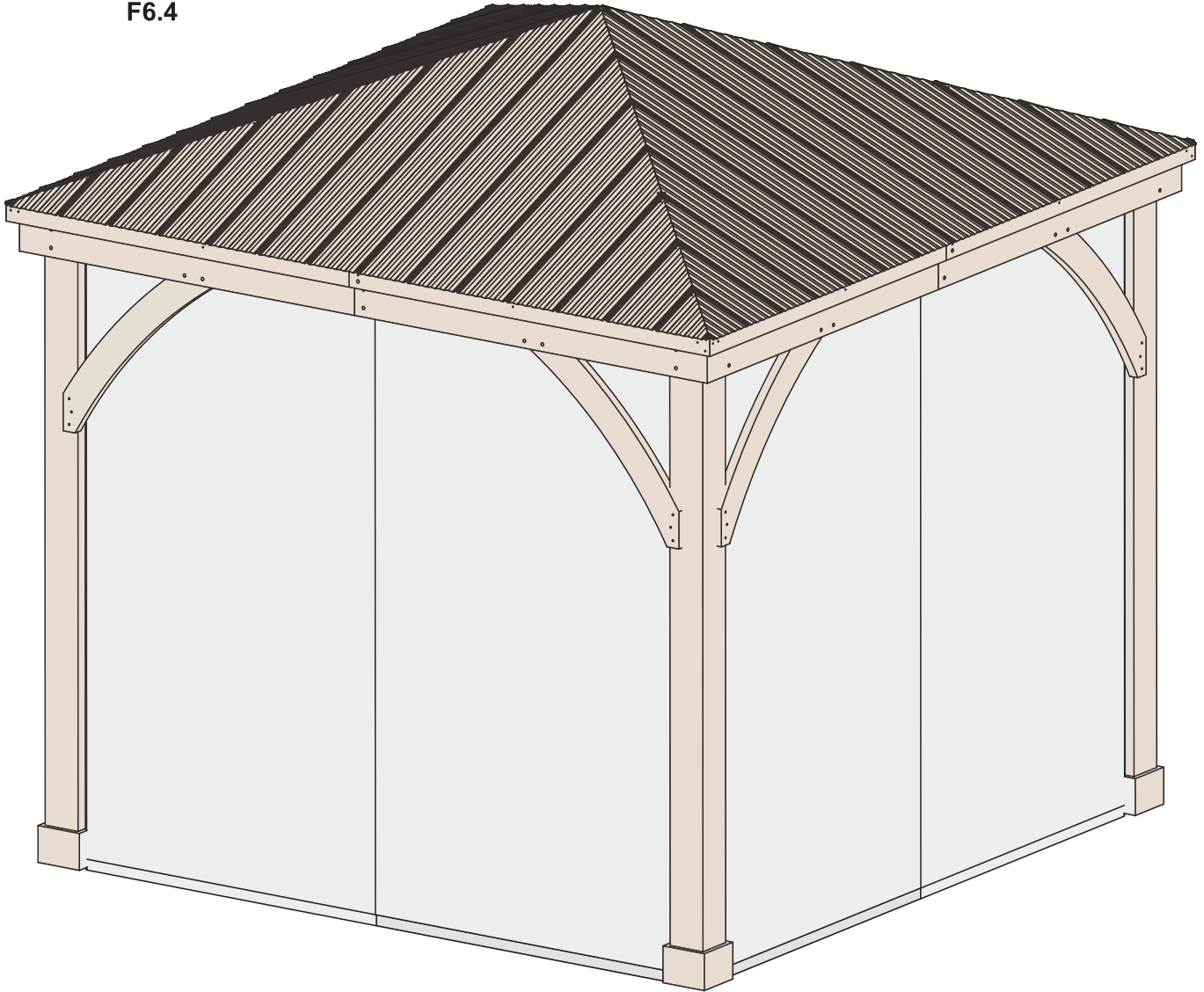
Step 6: Attach Insect Panel Part 2 - Paso 6: Fijación de panel mosquitero Parte 2
- Étape 6: Fixation du panneau pour insecte Partie 2

C: Join Insect Panels by zipping them together. (F6.4)

C: Una los Paneles Mosquiteros con el cierre de cremallera. (F6.4)

C: Joignez les panneaux pour insecte en fermant la fermeture éclair les reliant. (F6.4)

F6.4



Step 7: Attach Insect Panels to Posts - Paso 7: Fijación de los paneles mosquiteros a los postes - Étape 7 : Fixation des panneaux pour insecte aux montants



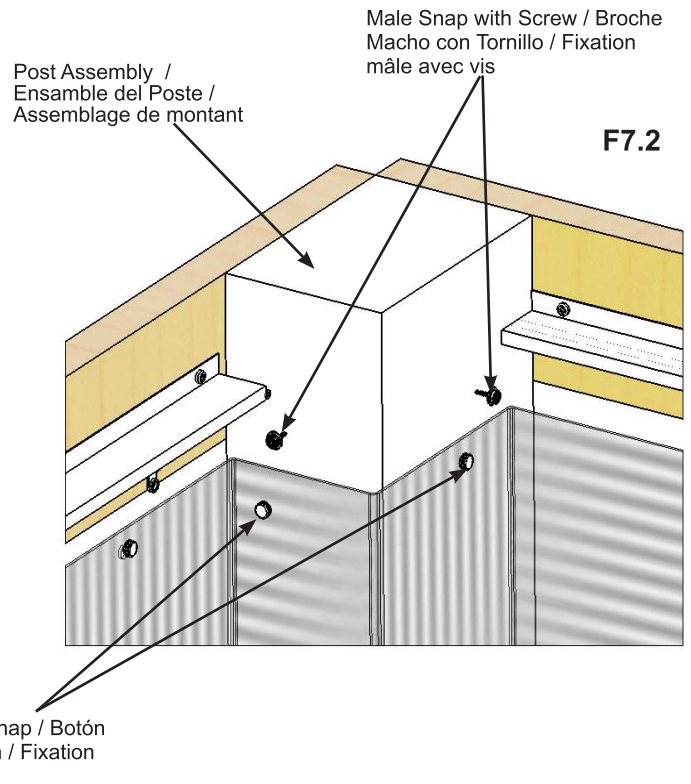
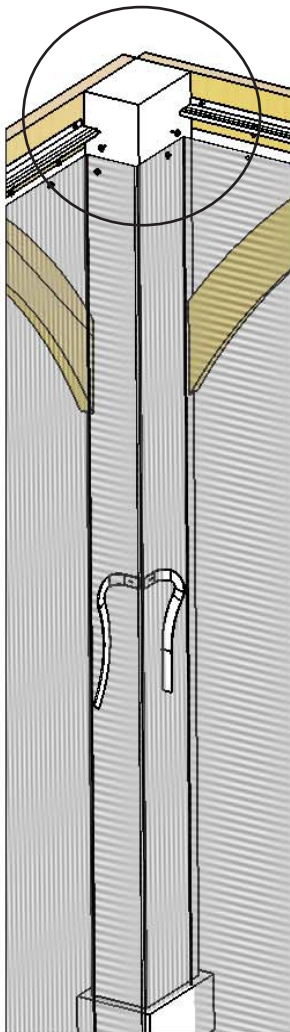
A: At the top of each Post Assembly locate Button Snaps on Insect Panel then fasten Male Snaps with Screw to Post Assembly so it lines up with the Button Snap. Connect Button Snaps to Male Snaps. (F7.1 and F7.2)

A: En la parte superior de cada Ensamble del Poste, ubique los Botones a Presión de los Paneles Mosquiteros y ajuste los Broches Machos con Tornillo al Ensamble del Poste de manera que coincidan con los Botones a Presión. Conecte los Botones a Presión con los Broches Machos. (F7.1 y F7.2)

A: Au haut de chaque Assemblage de montant, situez les Fixations à bouton sur le Panneau pour insecte, puis posez les fixations mâles à l'assemblage de montant en les alignant avec les Fixations à bouton. Fermez les fixations en les joignant. (F7.1 et F7.2)

Top of Post Assembly / Parte superior del Ensamble del Poste / Dessus de l'assemblage de montant

F7.1



Hardware / Tornillos y accesorios / Quincaillerie

8 x Male Snap with Screw / Broche Macho con Tornillo / Fixation mâle avec vis

Step 8: Secure Insect Panels - Paso 8: Sujeción permanente de los paneles mosquiteros - Étape 8 : Pose des panneaux pour insectes



Note: Only complete this step if you plan on keeping your Insect Panels up at all times.

A: To outside corners of Post Assemblies secure Insect Panels with 2 (S6) Pan Screws (with SB) on the top and bottom of each post. Screws are beside each Male Snap on top of posts. (F8.1 and F8.2)

Nota: Realice este paso solo si planea dejar colocados los paneles mosquiteros en forma permanente.

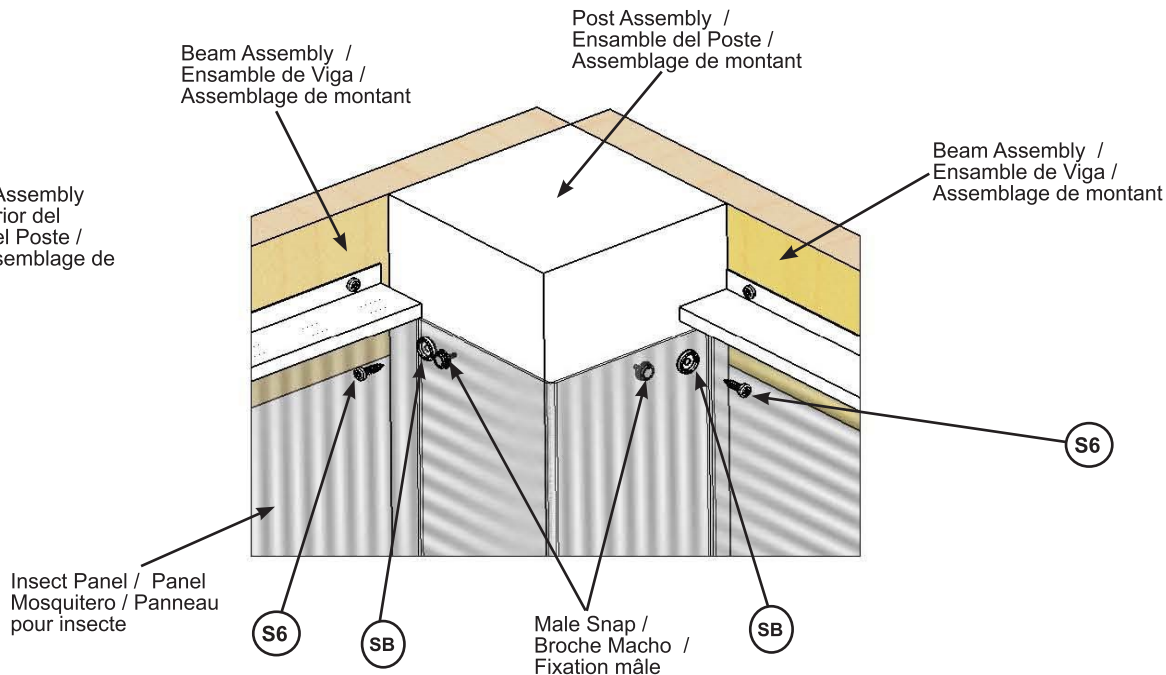
A: En las esquinas exteriores de los ensambles de los postes, fije los Paneles mosquiteros con 2 Tornillos de cabeza plana (S6) (con SB) en la parte superior e inferior de cada poste. Los tornillos están al lado de cada broche macho en la parte superior de los postes. (F8.1 y F8.2)

Note: Complétez cette étape uniquement si vous planifiez de garder les panneaux pour insectes installés en tout temps.

A: Sur les coins extérieurs des assemblages de montants, attachez les Panneaux pour insecte avec 2 Vis à tête cylindrique (S6) (avec SB) en haut et en bas de chaque montant. Les vis sont à côté de chaque fixation mâle en haut des montants. (F8.1 et F8.2)

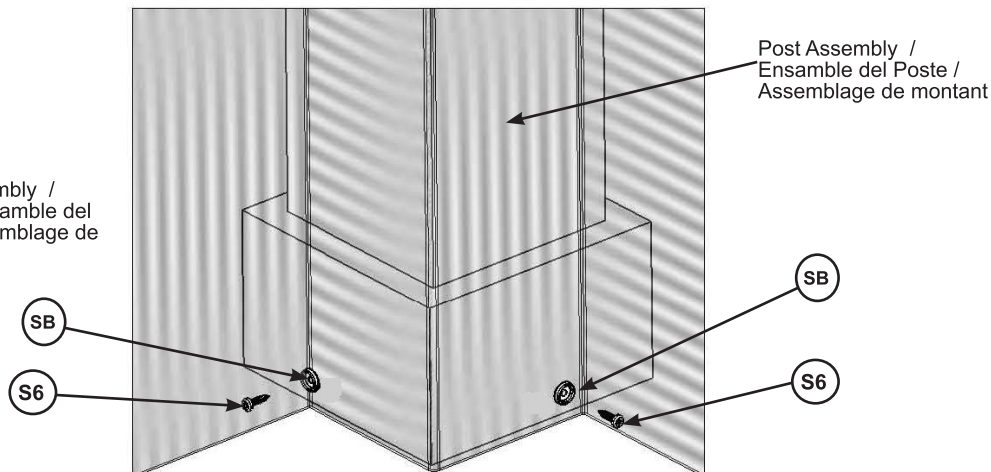
F8.1

Top of Post Assembly /
Parte superior del
Ensamble del Poste /
Haut de l'assemblage de
montant




F8.2

Bottom of Post Assembly /
Parte inferior del
Ensamble del Poste /
Bas de l'assemblage de
montant



Hardware / Tornillos y accesorios / Quincaillerie

16 x  #12 x 1"

16 x  #12 Screw Bezel / Bisel para tornillo No.12 /

Vis à collerette #12

Limited Warranty - Garantía Limitada - Garantie limitée

Yardistry warrants that this product is free from defect in materials and workmanship for a period of one (1) year from the original date of purchase. In addition, for any product with lumber, all lumber is warranted for five (5) years against rot and decay. This warranty applies to the original owner and registrant and is non-transferable.

Regular maintenance is required to assure the integrity of your product and is a requirement of the warranty. This warranty does not cover any inspection costs.

This Limited Warranty does not cover:

- Labour for replacement of any defective item(s);
- Incidental or consequential damages;
- Cosmetic defects which do not affect performance or integrity;
- Vandalism; improper use or installation; acts of nature, including but not limited to wind, storms, hail, floods, excessive water exposure;
- Minor twisting, warping, checking or any other natural occurring properties of wood that do not affect performance or integrity.

Yardistry products have been designed for safety and quality. Any modifications made to the original product could damage the structural integrity of the product leading to failure and possible injury. Yardistry cannot assume any responsibility for modified products. Furthermore, modification voids any and all warranties.

This product is warranted for RESIDENTIAL USE ONLY. Yardistry disclaims all other representations and warranties of any kind, express or implied.

This Warranty gives you specific legal rights. You may have other rights as well which vary from state to state or province to province. This warranty excludes all consequential damages, however, some states/provinces do not allow the limitation or exclusion of consequential damages, and therefore this limitation may not apply to you.

Yardistry garantiza que este producto está libre de defectos en materiales y mano de obra por un período de un (1) año de la fecha original de compra. Adicionalmente, para cualquier product con madera, toda la madera está garantizada por cinco (5) años contra la degradación y putrefacción. Esta garantía aplica al dueño original y registrante y no es transferible.

Se requiere mantenimiento regular para asegurar la integridad de su producto y es un requisito de la garantía. Esta garantía no cubre cualquier costo de inspección..

Esta Garantía Limitada no cubre:

- Trabajo para el reemplazo de cualquier artículo(s) defectuoso;
- Daños incidentales o consecuentes;
- Defectos cosméticos que no afecten el rendimiento o la integridad;
- Vandalismo, uso o instalación inapropiados, actos de la naturaleza incluyendo pero no limitándose a los vientos, tormentas, granizo, inundaciones, exceso de exposición al agua;
- Menor torsión, deformación, agrietado, o cualquier otra propiedad natural concurrente a la madera que no afecte su rendimiento o integridad.

Los productos Yardistry han sido diseñados para seguridad y calidad. Cualquier modificaciones hechas al producto original pueden dañar la integridad estructural del producto, provocando fallas o posibles lesiones. Yardistry no puede asumir ninguna responsabilidad para productos modificados. Además, las modificaciones anulan cualquiera y todas las garantías.

Este producto está garantizado para USO RESIDENCIAL SOLAMENTE. Yardistry renuncia a todas las representaciones y garantías de todo tipo, expresas o implícitas.

Esta Garantía le brinda derechos legales específicos. Puede tener otros derechos también que varían de estado a estado o provincia a provincia. Esta garantía excluye todos los daños consecuentes, sin embargo, algunos estados no permiten la limitación or exclusión de daños consecuentes, y por lo tanto esta limitación no se aplica con usted.

Yardistry garantit que ce produit est exempt de défauts de fabrication ou de conception pendant une période d'un (1) an suivant la date d'achat. De plus, pour tout produit avec du bois, tout le bois est garanti pendant cinq (5) ans contre la dégradation et la pourriture. Cette garantie s'applique à l'acheteur original, et n'est pas transférable.

Un entretien régulier est requis afin d'assurer l'intégrité de votre produit, et constitue une exigence pour cette garantie. Cette garantie ne couvre aucun coût d'inspection.

Cette garantie limitée ne couvre pas:

- Main d'oeuvre pour le remplacement de tout élément défectueux;
- Dommages indirects ou consécutifs;
- Défauts esthétiques n'affectant pas la performance ou l'intégrité;
- Vandalisme; installation ou usage inadéquat; actes de la nature incluant, sans s'y limiter, le vent, les tempêtes, la grêle, les inondations ou une exposition excessive à l'eau;
- Faible torsion déformation ou fendillement, ou toute autre transformation naturelle du bois n'affectant pas la performance ou l'intégrité.

Les produits Yardistry ont été conçus dans une optique de qualité et de sécurité. Toute modification effectuée au produit original pourrait endommager l'intégrité structurelle du produit, entraînant des défaillances et potentiellement des blessures. Yardistry ne peut assumer aucune responsabilité pour les produits ayant été modifiés. De plus, toute modification annule toutes les garanties, quelles qu'elles soient.

Ce produits est garanti pour un USAGE RÉSIDENCIEL SEULEMENT. Yardistry décline toute autre déclaration ou garantie, expresse ou implicite.

Cette garantie vous octroie des droits légaux spécifiques. Vous pourriez bénéficier d'autres droits, qui varient selon l'état ou la province ou vous résidez. Cette garantie exclut tous les dommages indirects, toutefois, certains états ne permettent pas la restriction ou l'exclusion des dommages indirects, alors cette restriction pourrait ne pas s'appliquer à votre situation.

NOTES



Customer Registration Card - Tarjeta de Registro del Cliente - Carte d'inscription du client

First Name - Primer Nombre - Prénom	Initial - Inicial - Initiale	Last Name - Apellido - Nom de famille

Street - Calle - Rue	PO Box - Casilla postal - Boîte postale	Apt. No. - App.

City - Ciudad - Ville	State/Province - Estado/Provincia - État/Province

ZIP/Postal Code - Código Postal - ZIP/Code postal	Country - País - Pays

E-mail Address - Dirección de E-mail - Adresse courriel	Telephone Number - No. de Teléfono - N° de téléphone

Model Name - Nombre del Modelo - Nom du modèle	Model Number (from front cover) - Número de Modelo (de la portada) - N° du modèle (page de couverture)

Date of Purchase - Fecha de Compra - Date d'achat (mm/dd/yyyy) (mm/dd/aaaa) (mm/jj/aaaa)	Place of Purchase - Comprado a - Lieu d'achat

Comments - Comentarios - Commentaires:

Mail To - Enviar por Correo a - Envoyer par courrier à:

Yardistry
375 Sligo Road West, PO Box 10
Mount Forest, Ontario, Canada, N0G 2L0
Attention: Consumer Relations
Atención a: Servicio de Atención al Cliente
À l'attention de: Service à la clientèle

Online Registration - Registro online - Enregistrement en ligne:

<http://yardistrystructures.com/warranty.php>

Yardistry would like to say "Thank you" for your time and feedback.
Yardistry quiere "Agradecerle" por su tiempo y su opinión.
Yardistry aimerait vous remercier d'avoir pris le temps de répondre au sondage.